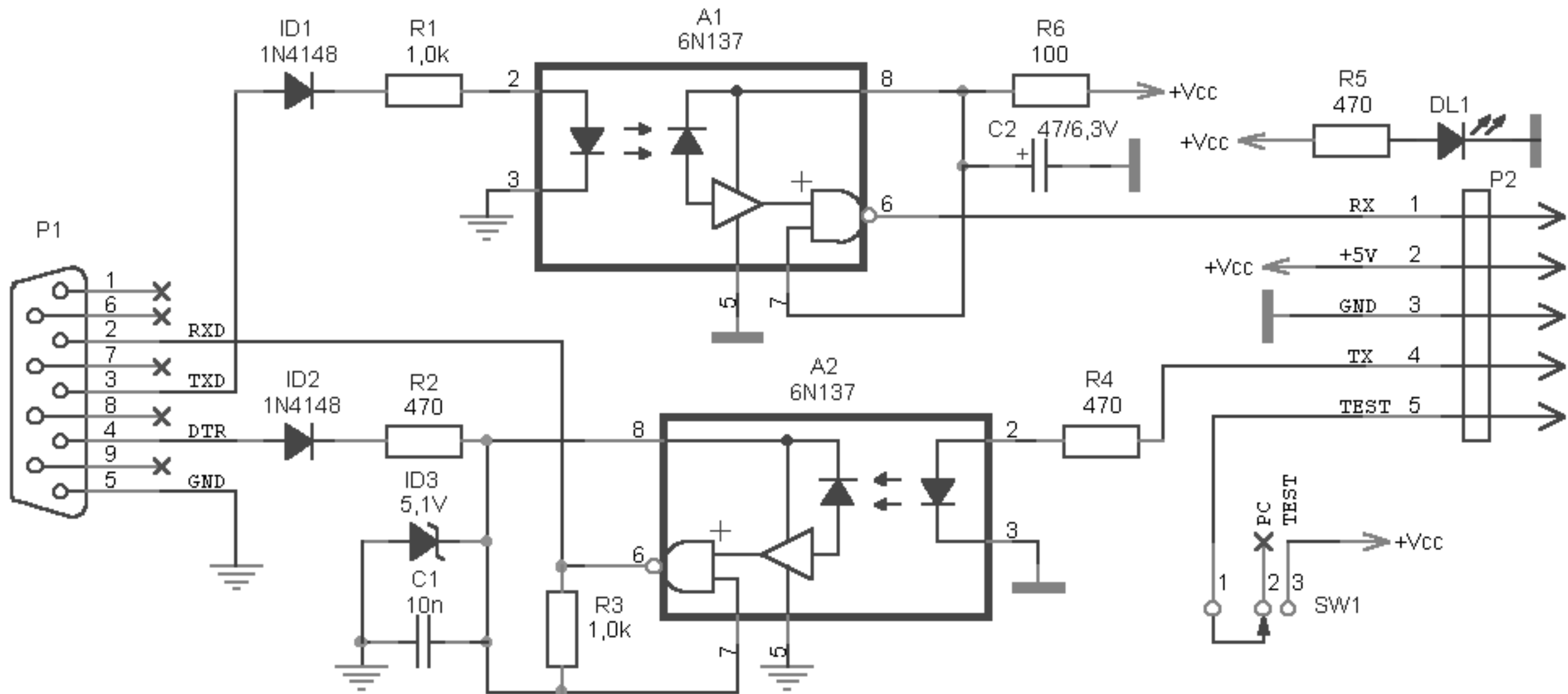


CONNECT TO COM - PORT PC COMPUTER



CONNECT TO COM-PORT W/M