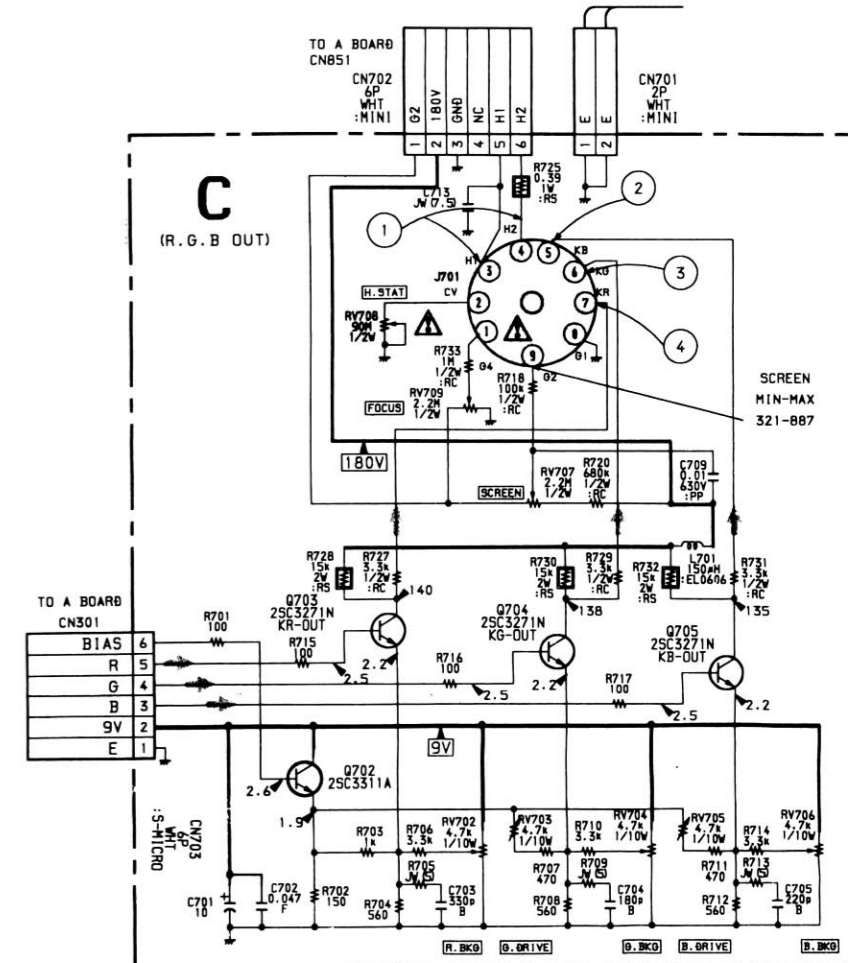
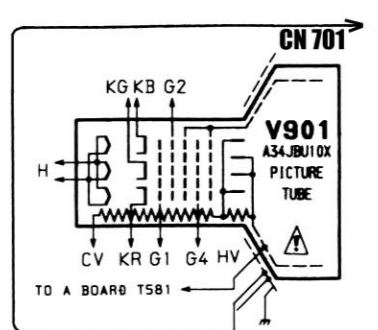


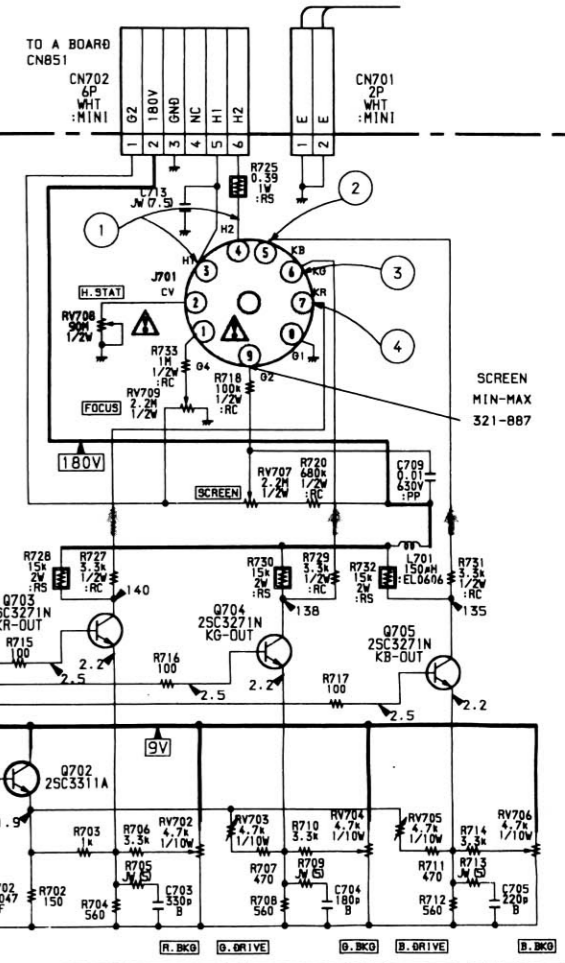
A
SYSTEM CONTROL, TUNER, MEMORY,
IF, Y/C JUNGLE, H/V OUT,
POWER SUPPLY, SECAM DECODER.

C
(R, G, B OUT)

DY

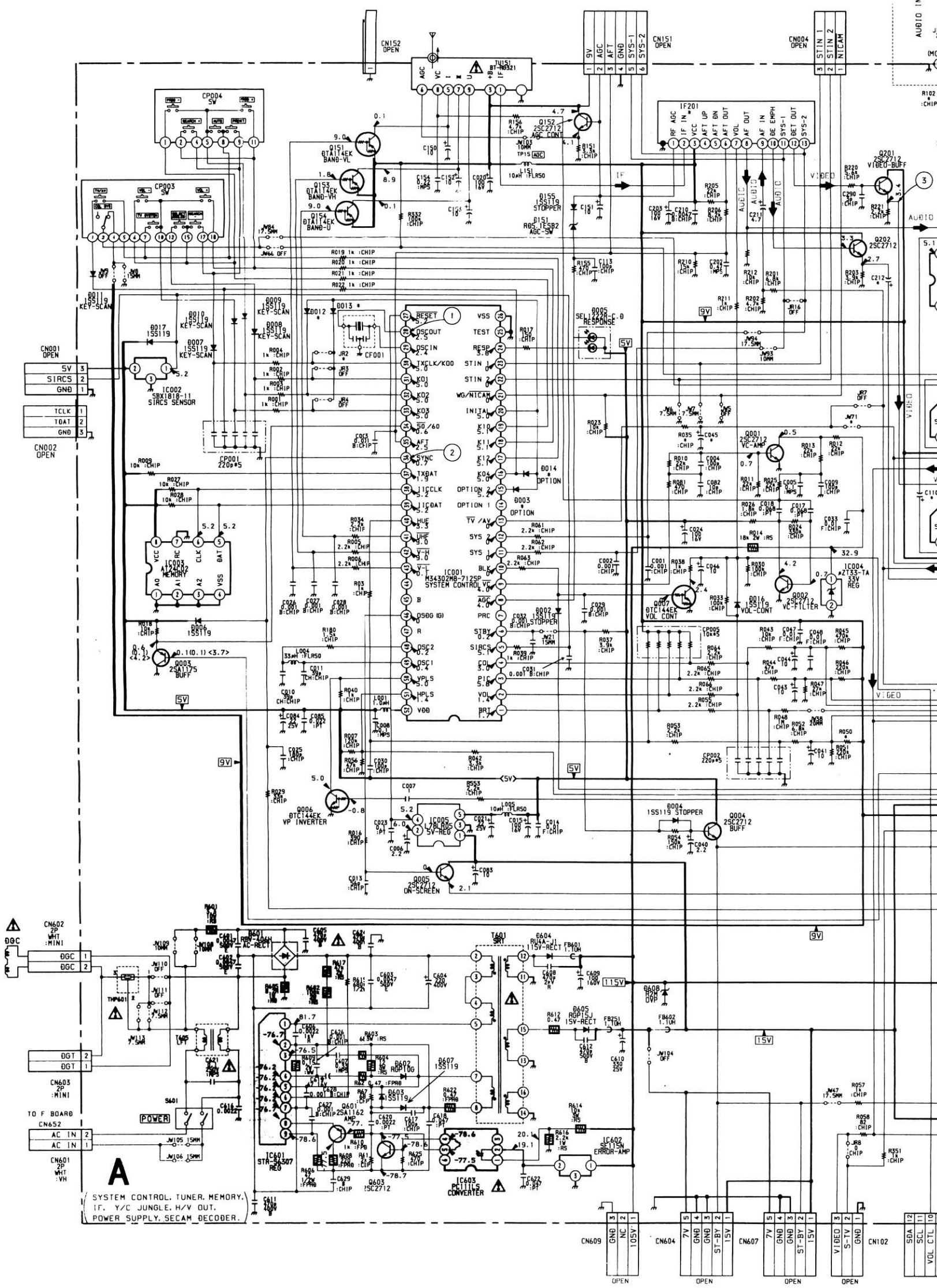


TO A BOARD
CN501
BIAS
R 5
G 4
B 3
9V 2
E 1



TO PICTURE TUBE
TO C BOARD
CN702
HV
H2
H1
NC
GND
200V
1000V

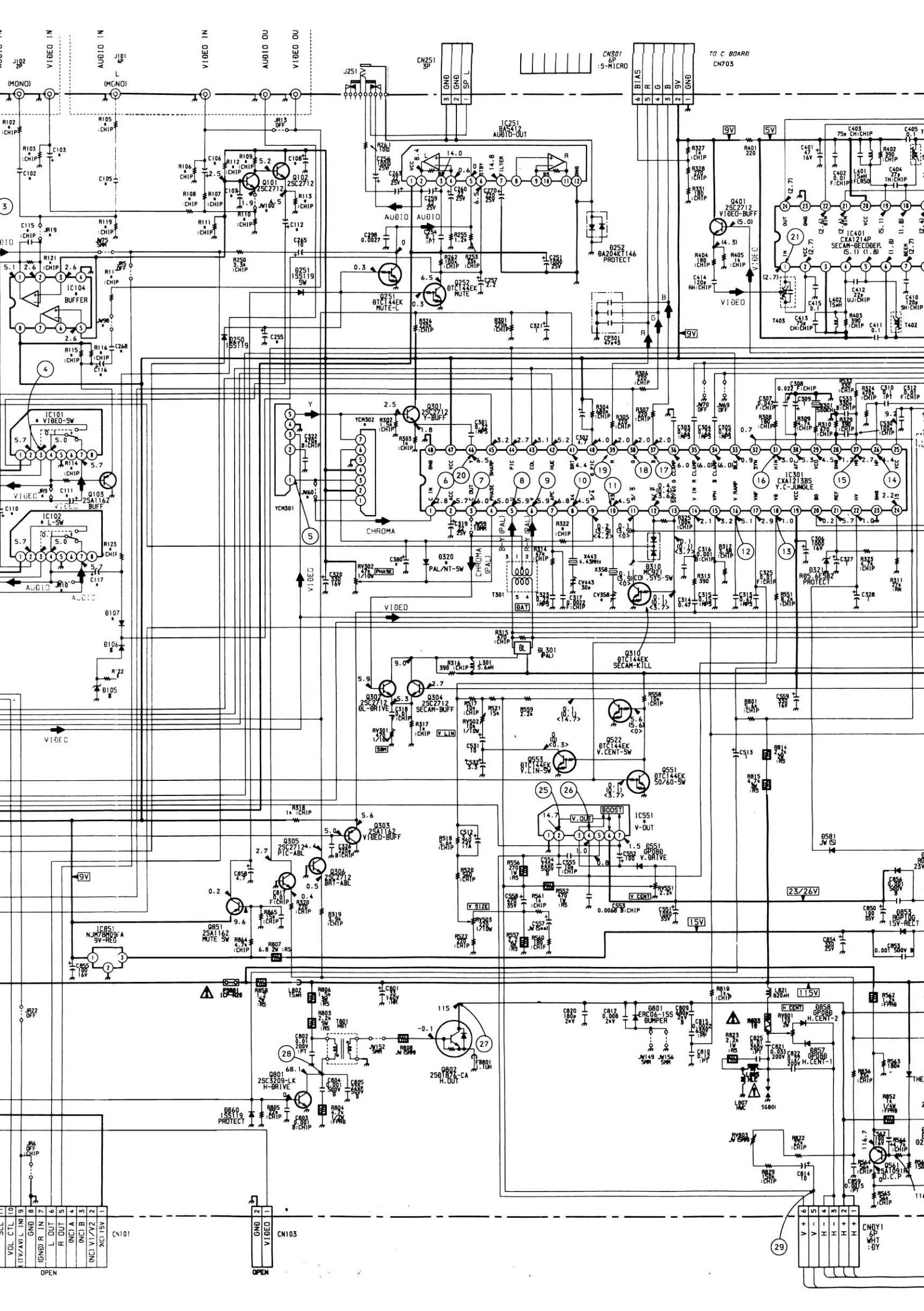
SCREEN
MIN-MAX
321-887

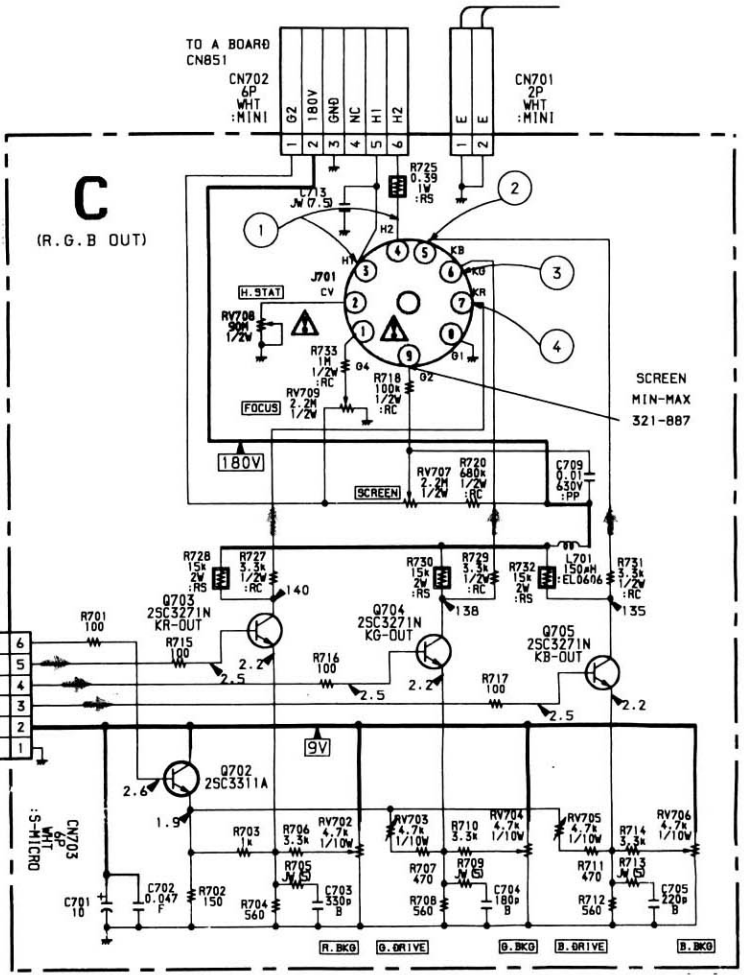
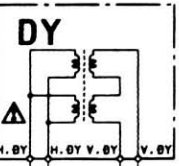
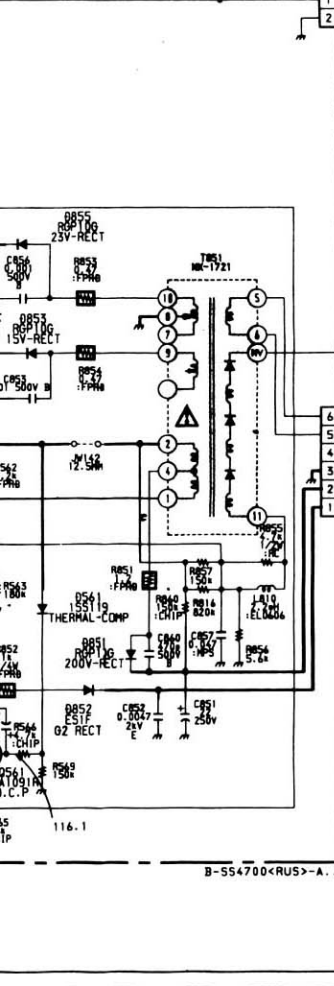
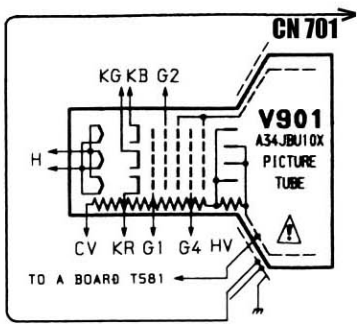
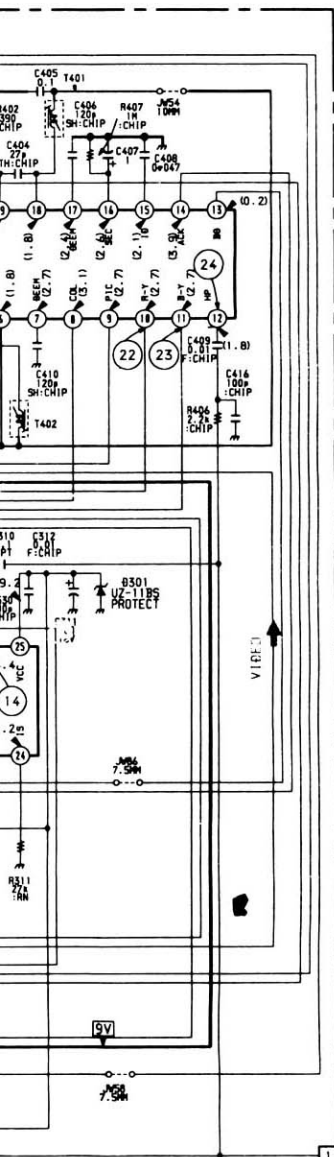


A

SYSTEM CONTROL, TUNER, MEMORY, IF, Y/C JUNGLE, H/V OUT, POWER SUPPLY, SECAM DECODER.







B-554700<RUS>-A..