

OUTLINE

The **LMD-1410SC** is the latest LCD monitor from Sony designed to meet the critical requirements of security video monitoring. This monitor, offering superb picture quality and excellent performance, has been optimised to replace the Sony SSM-14L1 video monitor. Combining a slim and space-saving design with outstanding picture reproduction, this new LCD monitor is the ideal choice for your security monitoring applications.

FEATURES

◆ High Picture Quality

Incorporating a VGA-type LCD panel with 640 x 480 pixel resolution, this monitor reproduces precise and detailed images from a variety of video signals, including composite and Y/C. In addition, by using a wide aperture LCD panel, this monitor provides high brightness and high contrast images.

◆ Wide Viewing Angle

The LCD panel offers a wide viewing angle of 170 degrees, both vertically and horizontally, with minimal reduction in picture contrast. This allows images to be viewed from various positions and angles.

◆ Input Versatility

Equipped with three selectable video inputs, including analogue composite, Y/C (S-Video) and RGB/component, the LMD-1410SC can accept signals from a number of cameras and recorders.

◆ Monaural Audio Monitoring

This monitor is equipped with a speaker, enabling the user to monitor audio.

◆ Convenient Installation

The LMD-1410SC can be mounted in a 19-inch EIA standard rack using an optional mounting bracket. Because it complies with VESA standards, it can also easily be mounted (100 x 100 mm pitch) on a wall or a ceiling.



◆ Slim and Light

Thanks to a thin and lightweight design, this monitor is ideal for installations where space is limited.

◆ Protected Controls

The key-inhibit function helps prevent inadvertent operations from the control panel.

◆ Colour Temperature/Gamma Selection

High/low colour temperatures or user preset can be selected.

◆ Remote Control via Parallell/F

◆ 4:3/16:9 Switchable Aspect Ratio

LMD-1410SC

LCD MONITOR



LMD-1410SC Specifications

Connector Panel

PICTURE PERFORMANCE

Type	A-Si TFT Active Matrix LCD
Resolution	640 x 480 dots
Pixel efficiency	99.99%
Dot pitch	0.443 x 0.443 mm
Picture Size (H x W)	Approx. 283 x 212 mm
(Viewable area)	(Approx. 11 ¼ x 8 ⅜ inches)
(Diagonal)	354 mm (14-inch)
Aspect	4:3/16:9 switchable
Colours	Approx. 16,200,000 colours
Viewing Angle	85°/85°/85°/85° (typical) (up/down/left/right contrast>10:1)

INPUT

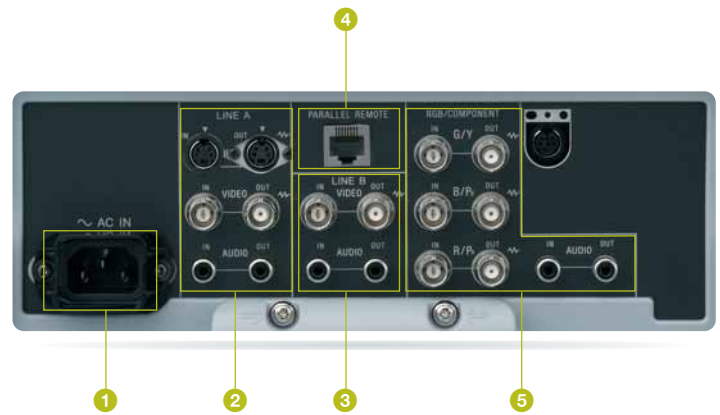
Line A	
Composite	BNC x 1, 1.0 Vp-p ±3 dB 75 Ω termination, sync 0.3 Vp-p negative
Y/C	DIN 4 pin x 1
	Y: 1.0 Vp-p ±3 dB, 75 Ω termination
	C: 0.286 Vp-p ±3 dB (NTSC), 0.3 Vp-p ±3 dB (PAL), 75 Ω termination, sync 0.3 Vp-p negative
Audio in	RCA pin x 1, -5 dBu 47 Ω or higher
Line B	
Composite	BNC x 1, 1.0 Vp-p ±3 dB 75 Ω termination, sync 0.3 Vp-p negative
Audio in	RCA pin x 1, -5 dBu 47 Ω or higher
RGB/Component	
RGB/Component	BNC x 3, 0.7 Vp-p ±3 dB 75 Ω termination, sync on Green 0.3 Vp-p, negative
Audio in	RCA pin x 1, -5 dBu 47 Ω or higher
Remote	
Parallel remote	Modular 8-pin (Assignable)

OUTPUT

Line A	
Composite	BNC x 1, Loop-through, with 75 Ω automatic termination
Y/C	DIN 4 pin x 1, Loop-through, with 75 Ω automatic termination
Audio out	RCA pin x 1
Line B	
Composite	BNC x 1, Loop-through, with 75 Ω automatic termination
Audio out	RCA pin x 1, Loop-through
RGB/Component	
RGB/Component	BNC x 3, Loop-through, with 75 Ω automatic termination
Audio out	RCA pin x 1, Loop-through

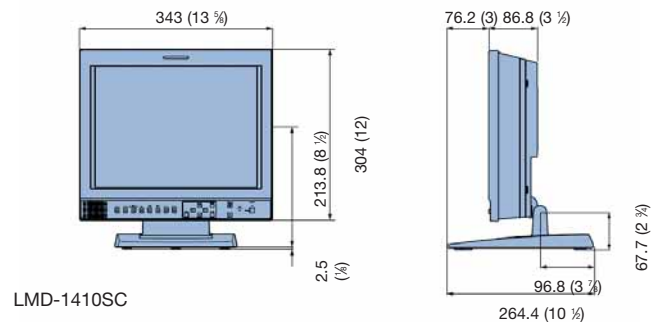
GENERAL

Power Consumption	Approx. 48 W
Power Requirements	AC 100 to 240 V, 50/60 Hz
Operating Temperature	0 to 35 °C
Operating Humidity	30 to 85% (Non-condensing)
Storage & Transport Temperature	-10 to 40 °C
Storage & Transport Humidity	0 to 90 %
Operating/Storage/Trans. Pressure	700 to 1060 hPa
Dimensions (W x H x D)	
Dimensions	Approx. 343 x 354 x 264 mm (13 ⅜ x 14 x 10 ½ inch)
Dimensions without stand	Approx. 343 x 304 x 87mm (13 ⅜ x 12 ⅜ x 3 ⅜ inch)
Mass Panel & Stand	Approx. 6.5 Kg (14 lb 5 oz)
Panel only	Approx. 4.8 kg (10 lb 9 oz)
Supplied Accessories	AC power cord, AC plug holder, Operating Instructions, CD-ROM, "Using the CD-ROM Manual" booklet, Warranty card

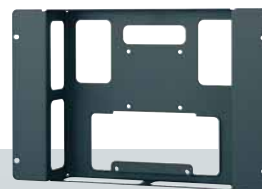


- ❶ AC IN socket
- ❷ LINE A [composite (BNC), Y/C (4 pin mini-DIN), AUDIO (RCA pin)]
- ❸ LINE B [composite (BNC), AUDIO (RCA pin)]
- ❹ PARALLEL REMOTE (modular connector)
- ❺ RGB/COMPONENT (BNC), AUDIO (RCA pin)

Dimensions Unit: mm (inches)



Optional Accessories



MB-526
Mounting Bracket

© 2006 Sony Corporation. All rights reserved. Reproduction in whole or in part without permission is prohibited. Features and specifications are subject to change without notice. All non-metric weights and measurements are approximate. Sony is a registered trademark of Sony Corporation. VESA is a trademark of the Video Electronics Standards Association. VGA is a registered trademark of International Business Machines Corporation, U.S.A. All other trademarks are the property of their respective owners.
CA-LMD-1410SC/GB- /01/2006