

### 7.2.3 CONNECTOR FUNCTION DESCRIPTION

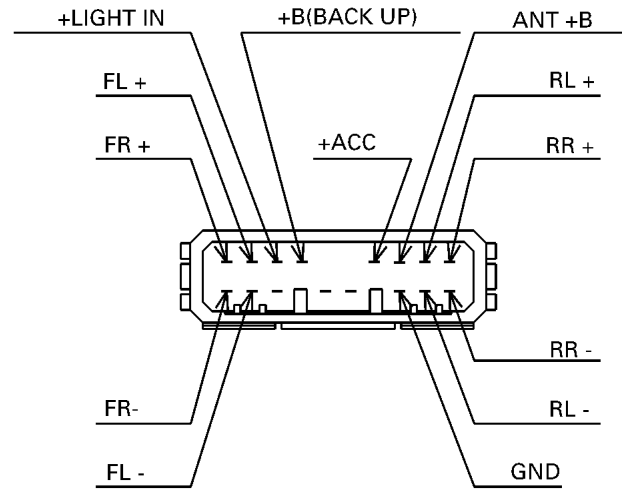
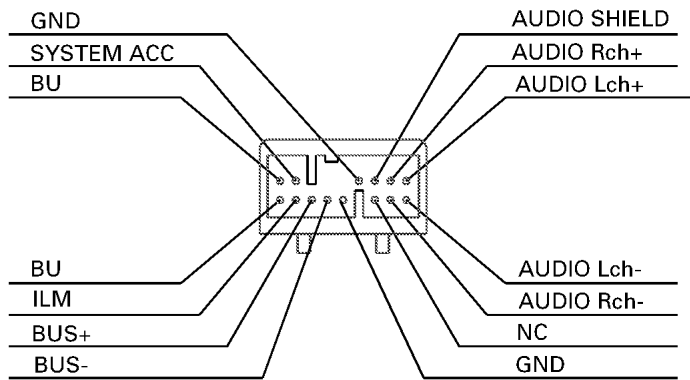
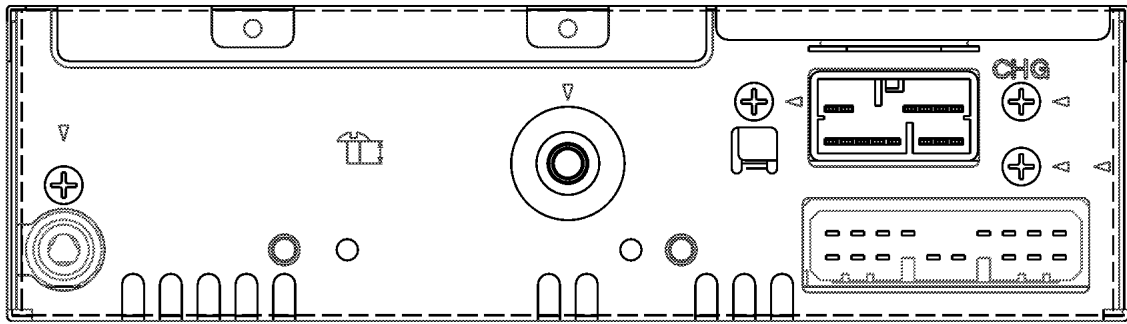


Fig. 25