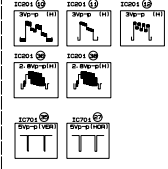


NOTE

- #1 200418/000-0
- #2 200418/000-0
- #3 200418/000-0
- #4 200418/000-0
- #5 200418/000-0
- #6 200418/000-0
- #7 200418/000-0
- #8 200418/000-0
- #9 200418/000-0

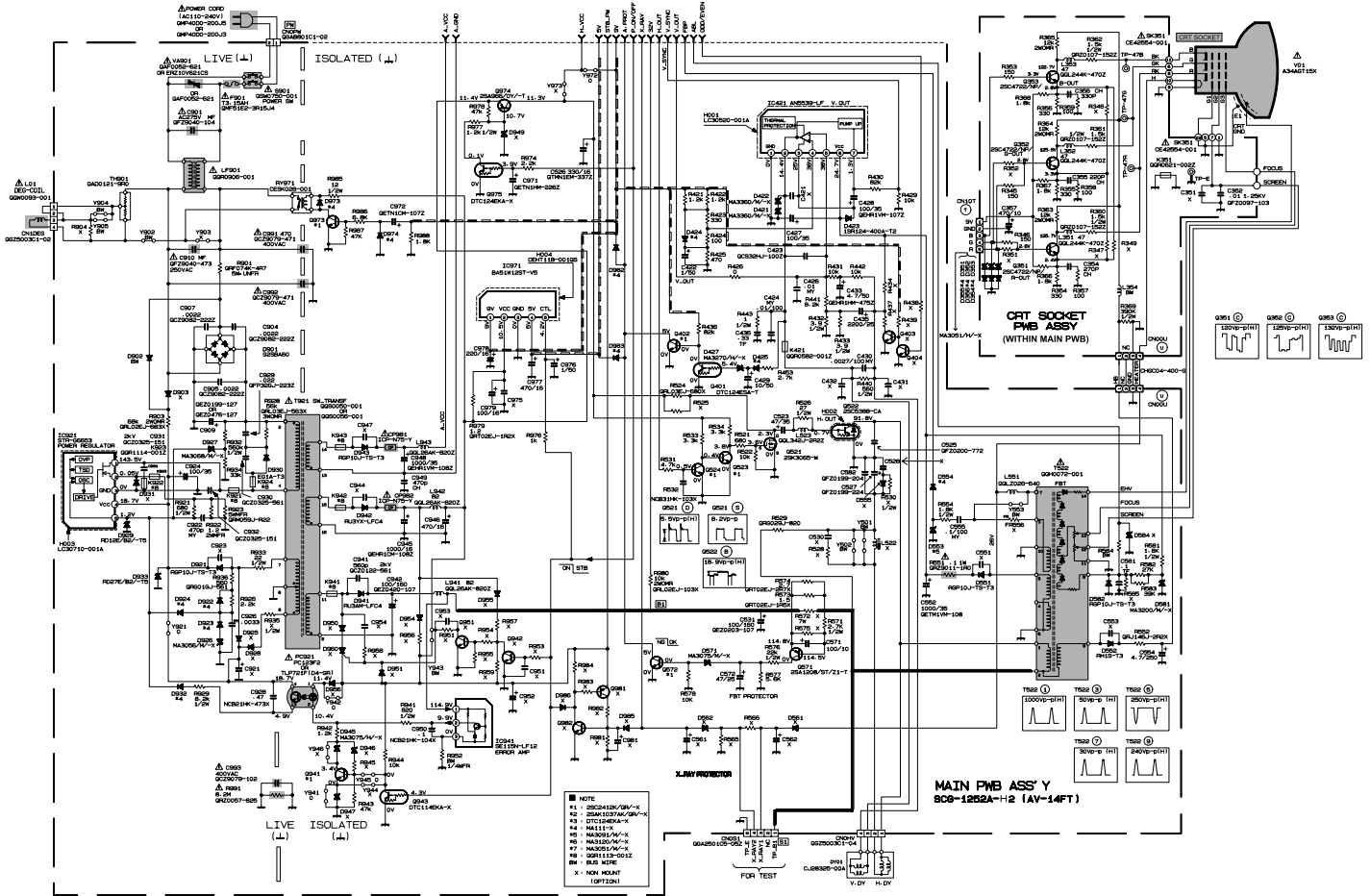
STARTS

IC701	1
IC301	1
IC201	1
IC101	1
IC102	1
IC103	1
IC104	1
IC105	1
IC106	1
IC107	1
IC108	1
IC109	1
IC110	1
IC111	1
IC112	1
IC113	1
IC114	1
IC115	1
IC116	1
IC117	1
IC118	1
IC119	1
IC120	1



MAIN PWB ASS'Y
8C8-1262A-1H2 (AV-14FT)

MAIN PWB CIRCUIT DIAGRAM (2/2)



No. 56077

2-9

2-10

No. 56077