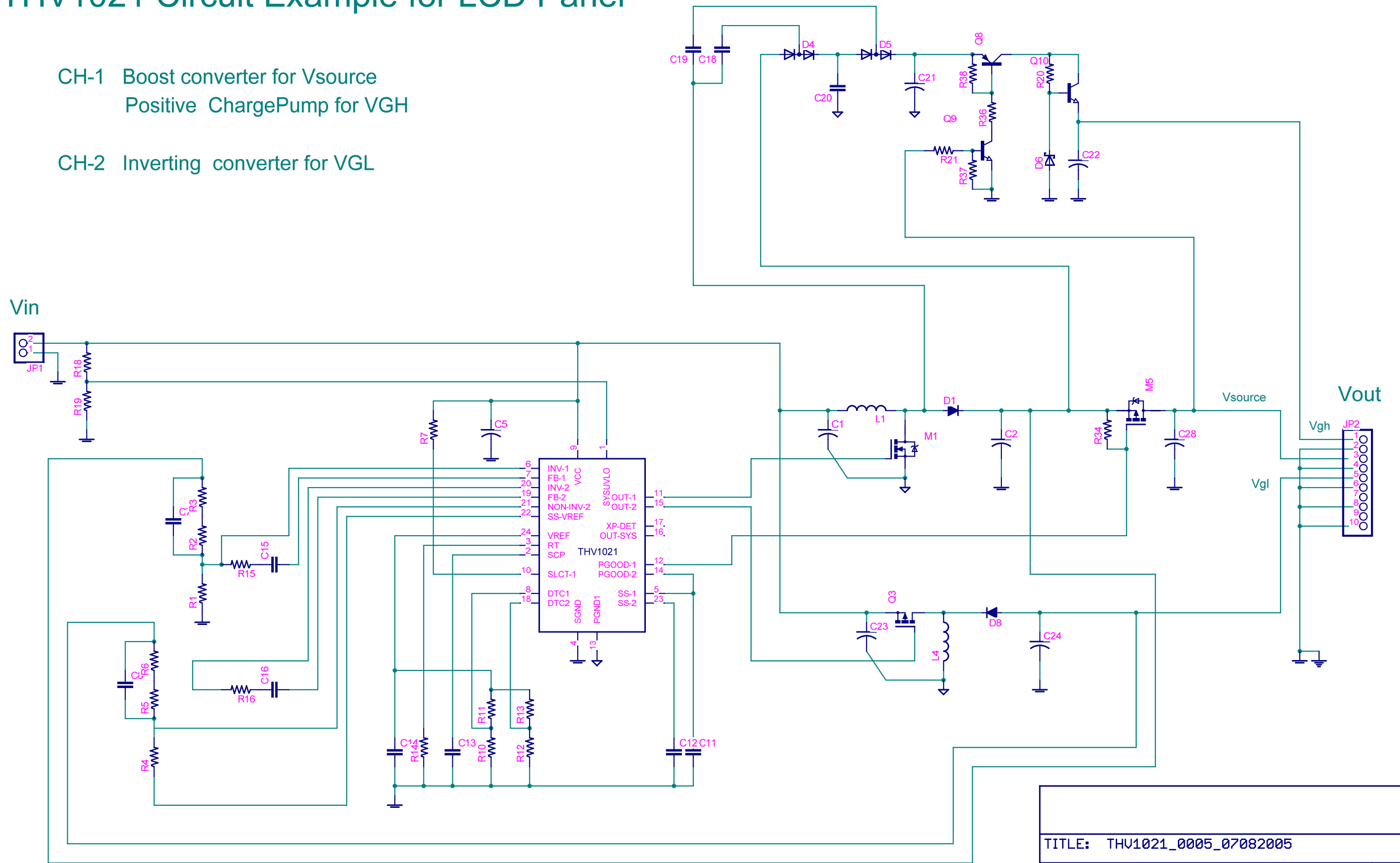


# THV1021 Circuit Example for LCD Panel

CH-1 Boost converter for Vsource  
Positive ChargePump for VGH

CH-2 Inverting converter for VGL



TITLE: THV1021_0005_07082005	
Document Number:	REU:
Date: 2005/09/09 10:42:31	Sheet: 1/1