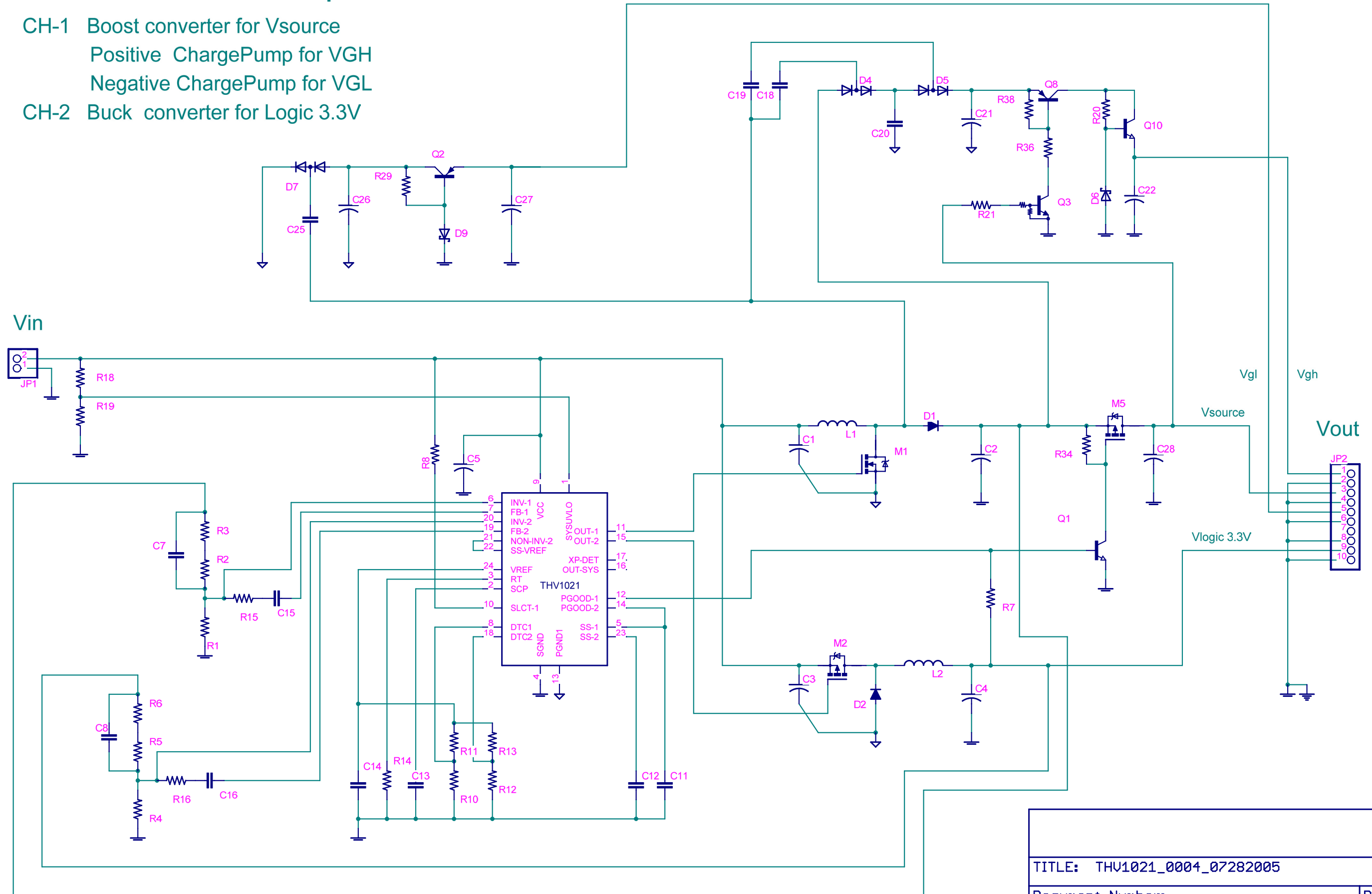


THV1021 Circuit Example for LCD Panel

- CH-1 Boost converter for Vsource
- Positive ChargePump for VGH
- Negative ChargePump for VGL
- CH-2 Buck converter for Logic 3.3V



TITLE: THV1021_0004_07282005	
Document Number:	REU:
Date: 2005/09/09 10:53:18	Sheet: 1/1