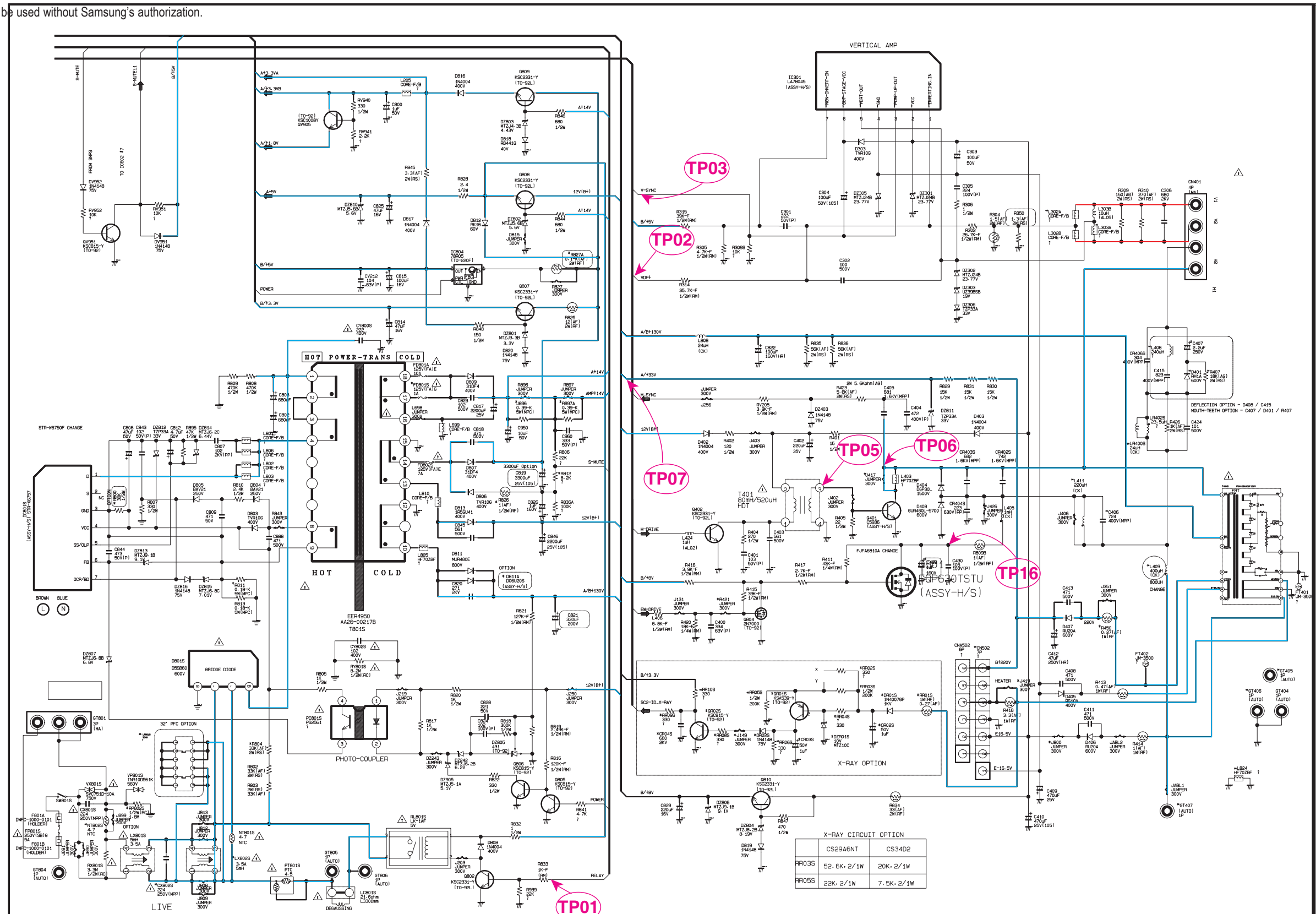
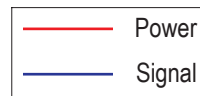


# 10. Schematic Diagram

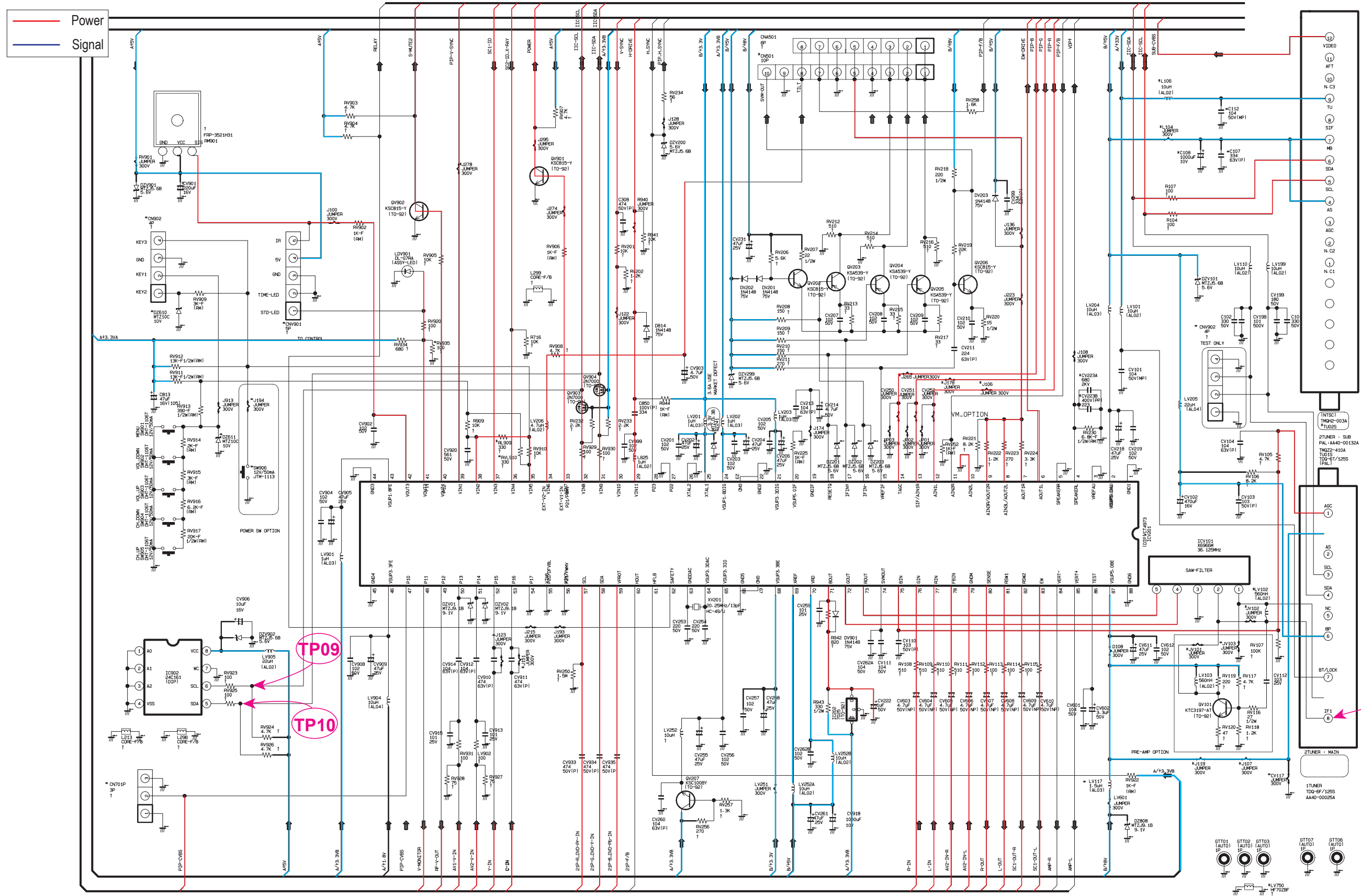
## 10-1 POWER & DEFLECTION BLOCK

This Document can not be used without Samsung's authorization.



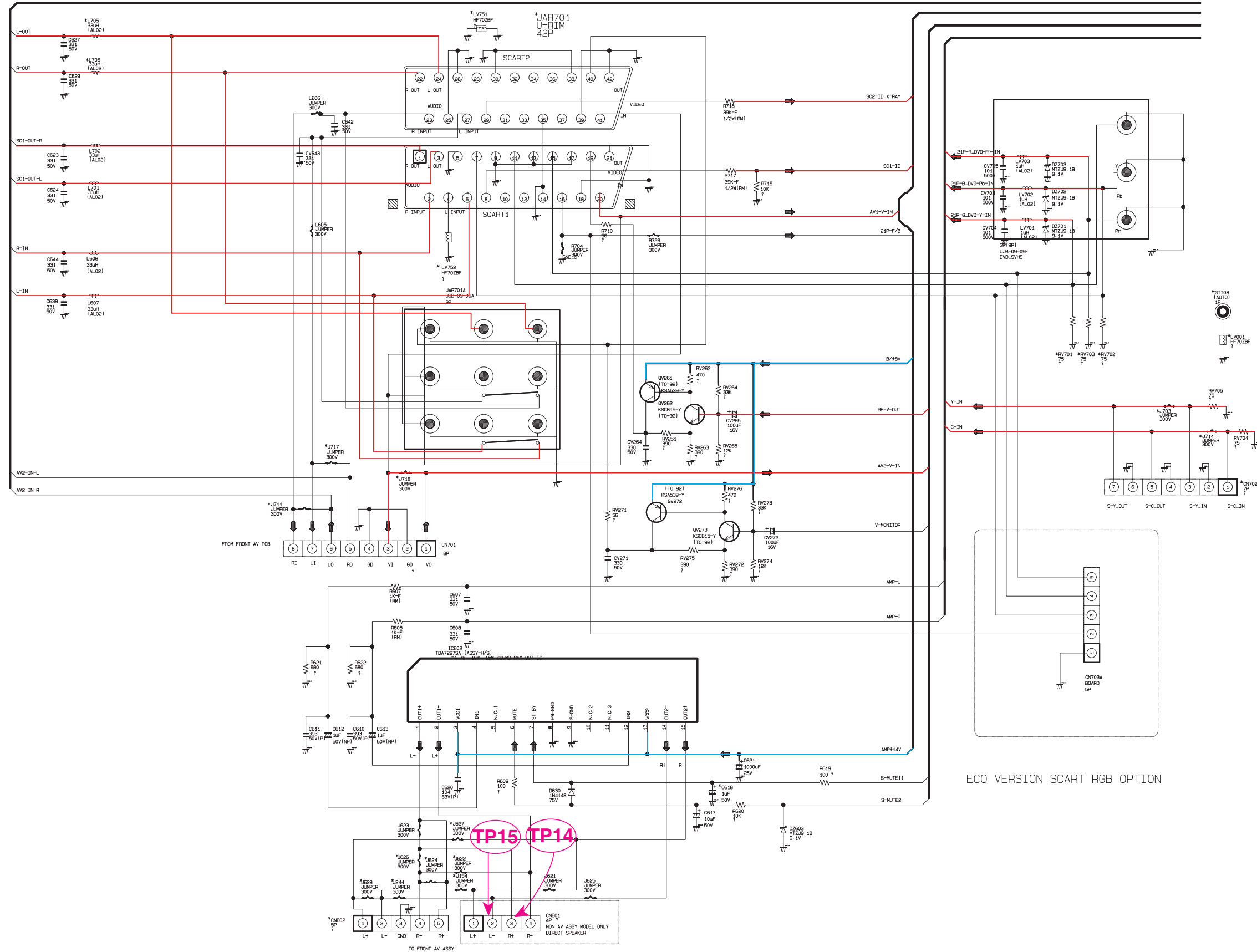
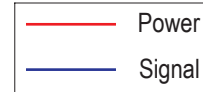
# 10-2 IF & UOC(CHROMA\_MICOM)BLOCK

This Document can not be used without Samsung's authorization.



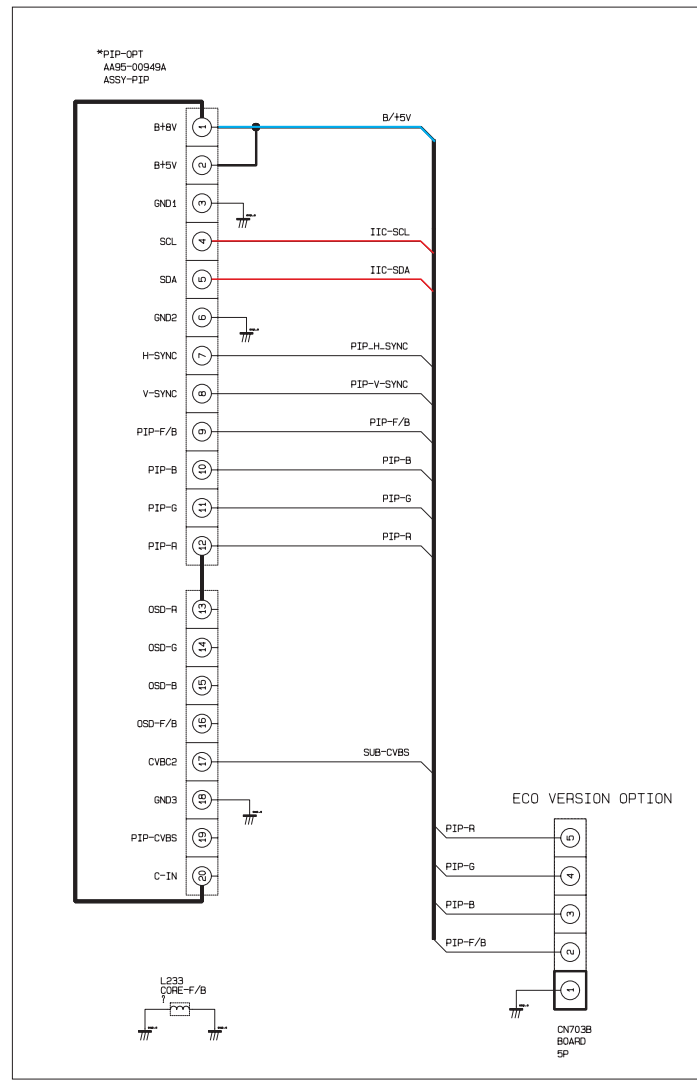
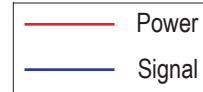
### 10-3 PIP & CRT BLOCK

This Document can not be used without Samsung's authorization.

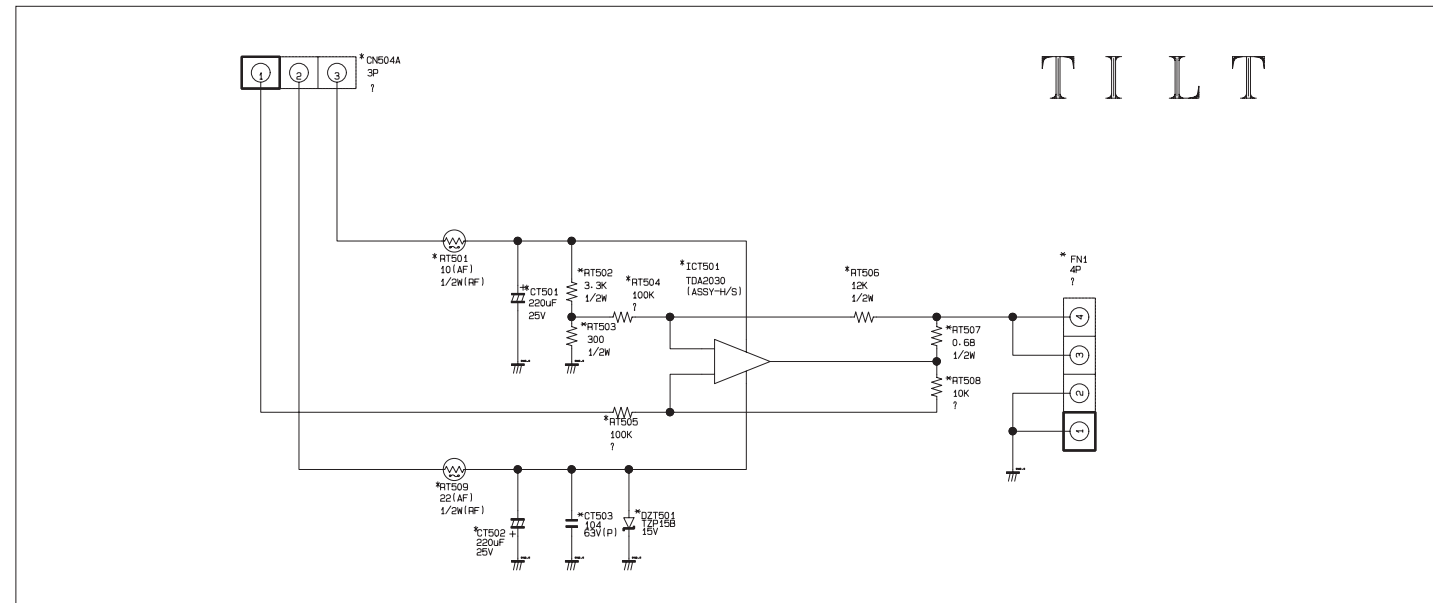
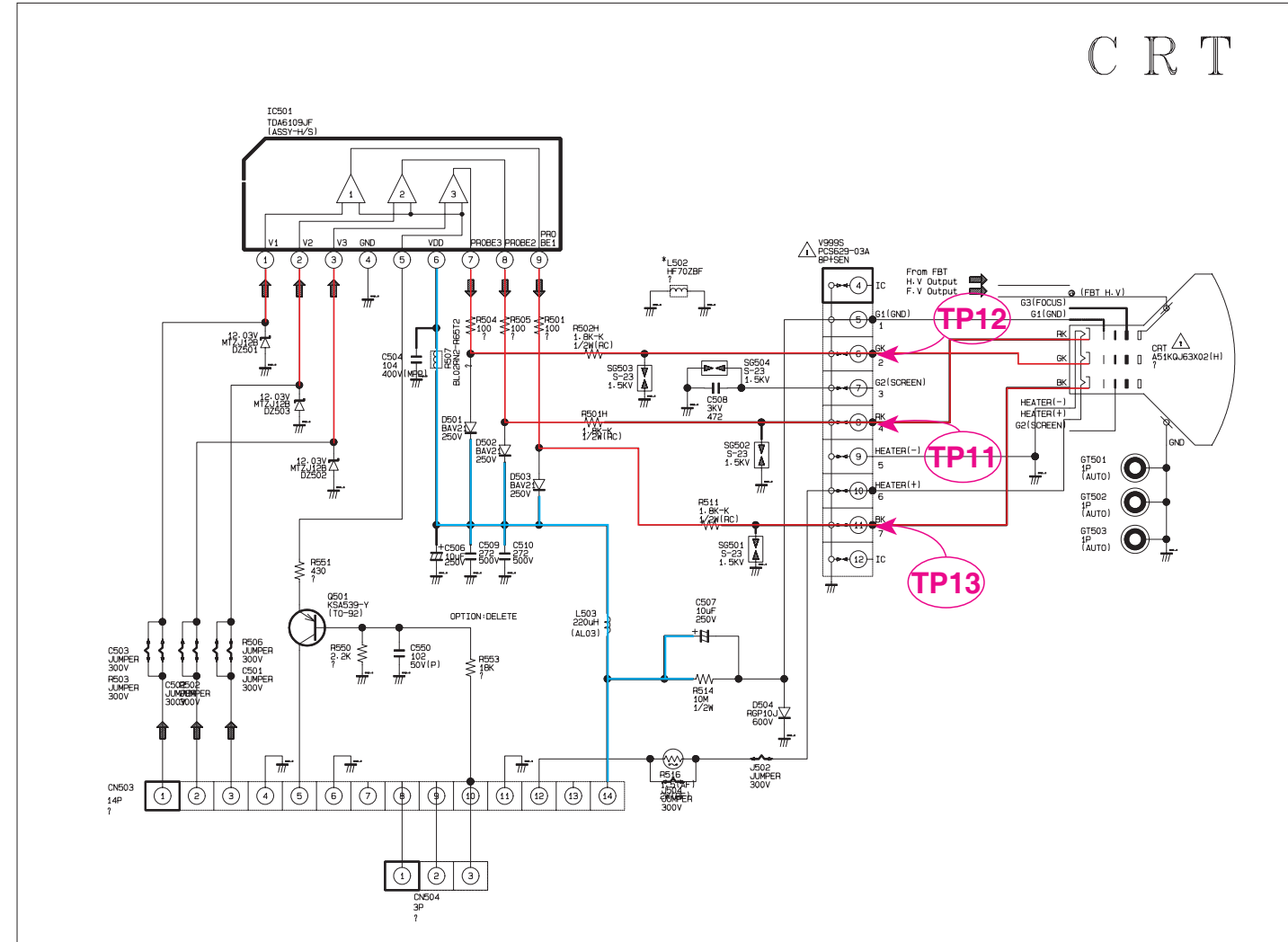


# 10-4 AV & SOUND BLOCK

This Document can not be used without Samsung's authorization.



ASS'Y-PIP MODULE OPTION  
 SDA9388, SDA9389, SDA9488  
 BASIC CHASSIS : KS2A, KS3A



# WAVEFORM

