

Service Manual



Colour Television

TX-28XD60C TX-25XD60C

EURO-3H Chassis

SPECIFICATIONS

(Information in brackets {} refers to TX-25XD60C)

Power Source :	220-240V AC, 50Hz
Power Consumption :	155W {150W}
Standby Power Consumption :	1W
Aerial Impedance :	75Ω unbalanced, Coaxial Type
Receiving System :	PAL-I, B, G, D, K, H, PAL 60, SECAM B, G, D, K, L/L' MNTSC, NTSC (AV Only)

Receiving Channels :	
VHF E2 – E12	VHF H1 – H2 (ITALY)
VHF A – H (ITALY)	VHF R1 – R2
VHF R3 – R5	VHF R6 – R12
UHF E21 – E69	CATV (S01 – S05)
CATV S1 – S10 (M1 – M10)	CATV S11 – S20 (U1 – U10)
CATV S21 – S41 (HYPERBAND)	

Intermediate Frequency :	
Video	38.9 MHz, 34 MHz
Sound	32.9 MHz, 33.4 MHz, 34.05 MHz 33.16 MHz, 32.4 MHz, 40.4 MHz
Colour	34.47 MHz, 34.5 MHz, 34.65 MHz

Video / Audio Terminals :

AUDIO MONITOR OUT	Audio(RCA x2)	500mV rms, 1kΩ
AV1 IN	Video (21 pin) Audio (21 pin) RGB (21 pin)	1V p-p 75Ω 500mV rms 10kΩ
AV1 OUT	Video (21 pin) Audio (21 pin)	1V p-p 75Ω 500mV rms 1kΩ
AV2 IN	Video (21 pin) Audio (21 pin) S-Video IN Y : 1V p-p 75Ω (21 pin) C : 0.3V p-p 75Ω	1V p-p 75Ω 500mV rms 10kΩ Y : 1V p-p 75Ω C : 0.3V p-p 75Ω
AV2 OUT	Video (21 pin) Audio (21 pin)	1V p-p 75Ω 500mV rms 1kΩ
AV3 IN	Audio (RCA x2) Video (RCA x1)	500mV rms, 10kΩ 1V p-p 75Ω

High Voltage :	28.5kV ± 1kV (zero beam current)
Picture Tube :	A66ECF61X71 66 cm {A59ECF50X71 59 cm}

Audio Output :	
Speaker	2 x 20W (Music Power) 8 Ω Impedance
Headphones	8 Ω Impedance

Accessories supplied :	Remote Control 2 x R6 (UM3) Batteries
-------------------------------	--

Dimensions :	
Height :	596.5 mm {550mm}
Width :	778 mm {730mm}
Depth :	481.5 mm {479mm}
Net Weight :	35kg {30kg}

Specifications are subject to change without notice.
Weight and dimensions shown are approximate.

TECHNISCHE DATEN

(Werte in Klammern gelten {} nur für TX-25XD60C)

Netzspannung :	220-240V AC, 50Hz
Leistungsaufnahme :	155W {150W}
Standby Leistungsaufnahme :	1W
Antennenimpedanz :	75Ω asymmetrisch, Koaxial-Typ
Empfangssystem :	PAL-I, B, G, D, K, H, PAL 60, SECAM B, G, D, K, L/L' MNTSC, NTSC (nur AV Eingang)

Empfangsbereiche :	
VHF E2 – E12	VHF H1 – H2 (ITALY)
VHF A – H (ITALY)	VHF R1 – R2
VHF R3 – R5	VHF R6 – R12
UHF E21 – E69	CATV (S01 – S05)
CATV S1 – S10 (M1 – M10)	CATV S11 – S20 (U1 – U10)
CATV S21 – S41 (HYPERBAND)	

Zwischenfrequenz :	
Video	38.9 MHz, 34 MHz
Sound	32.9 MHz, 33.4 MHz, 34.05 MHz 33.16 MHz, 32.4 MHz, 40.4 MHz
Colour	34.47 MHz, 34.5 MHz, 34.65 MHz

Video / Audio Anschlüsse :

AUDIO MONITOR OUT	Audio(RCA x2)	500mV rms, 1kΩ
AV1 EINGANG	Video (21 pin) Audio (21 pin) RGB (21 pin)	1V p-p 75Ω 500mV rms 10kΩ
AV1 AUSGANG	Video (21 pin) Audio (21 pin)	1V p-p 75Ω 500mV rms 1kΩ
AV2 EINGANG	Video (21 pin) Audio (21 pin) S-Video IN Y : 1V p-p 75Ω (21 pin) C : 0.3V p-p 75Ω	1V p-p 75Ω 500mV rms 10kΩ Y : 1V p-p 75Ω C : 0.3V p-p 75Ω
AV2 AUSGANG	Video (21 pin) Audio (21 pin)	1V p-p 75Ω 500mV rms 1kΩ
AV3 EINGANG	Audio (RCA x2) Video (RCA x1)	500mV rms, 10kΩ 1V p-p 75Ω

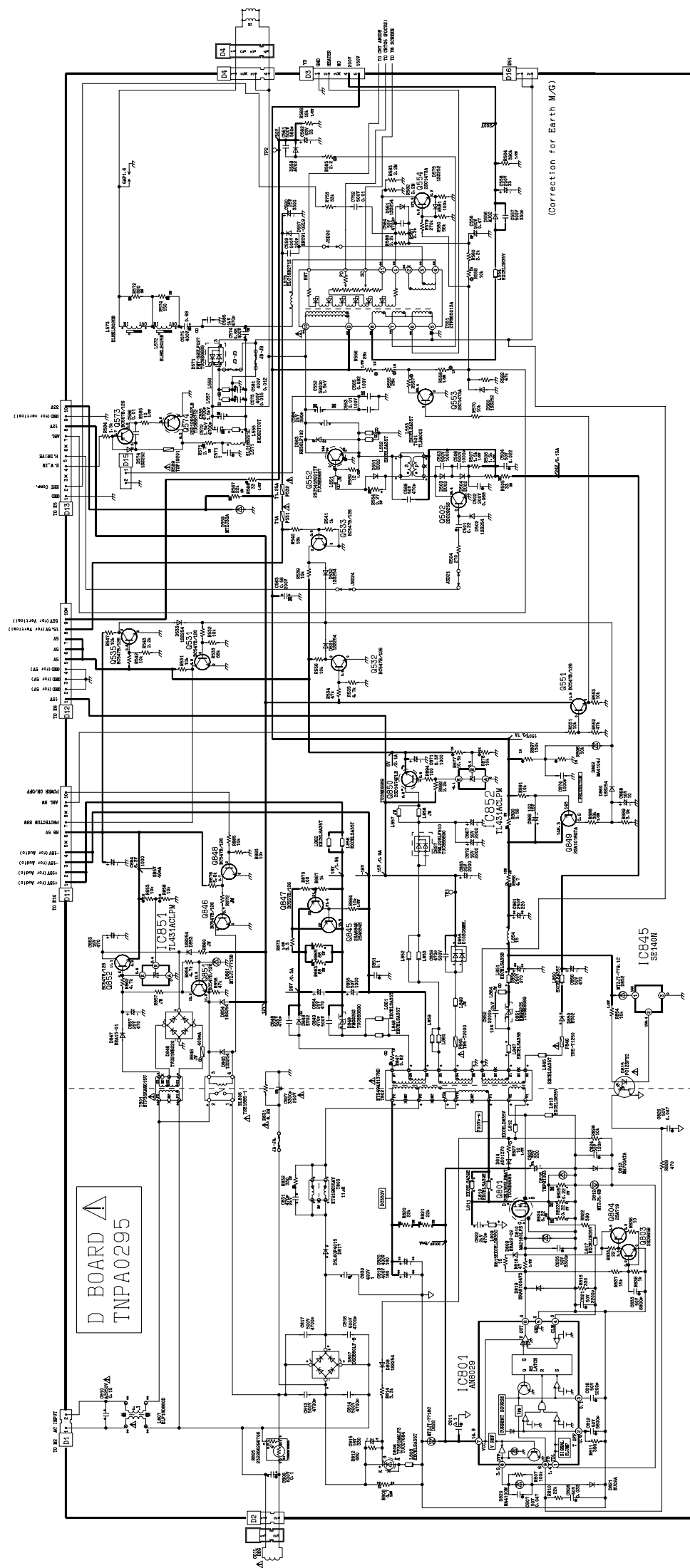
Hochspannung :	28.5kV ± 1kV (bei Nullstrahlstrom)
Bildrohre :	A66ECF61X71 66 cm {A59ECF50X71 59 cm}

Ton Ausgangsleistung :	2 x 20W (Musikleistung)
Lautsprecher	8 Ω Impedanz
Kopfhörer	8 Ω Impedanz

Mittel, Zubehör :	Fernbedienung 2 x R6 (UM3) Batterien
--------------------------	---

Abmessungen :	
Höhe :	596.5 mm {550mm}
Breite :	778 mm {730mm}
Tiefe :	481.5 mm {479mm}
Gewicht :	35kg {30kg}

Änderungen der technischen Daten vorbehalten.
Gewichte und Abmessungen sind Näherungsangaben.



D BOARD
TNPA0295

(Correction for Earth M/G)

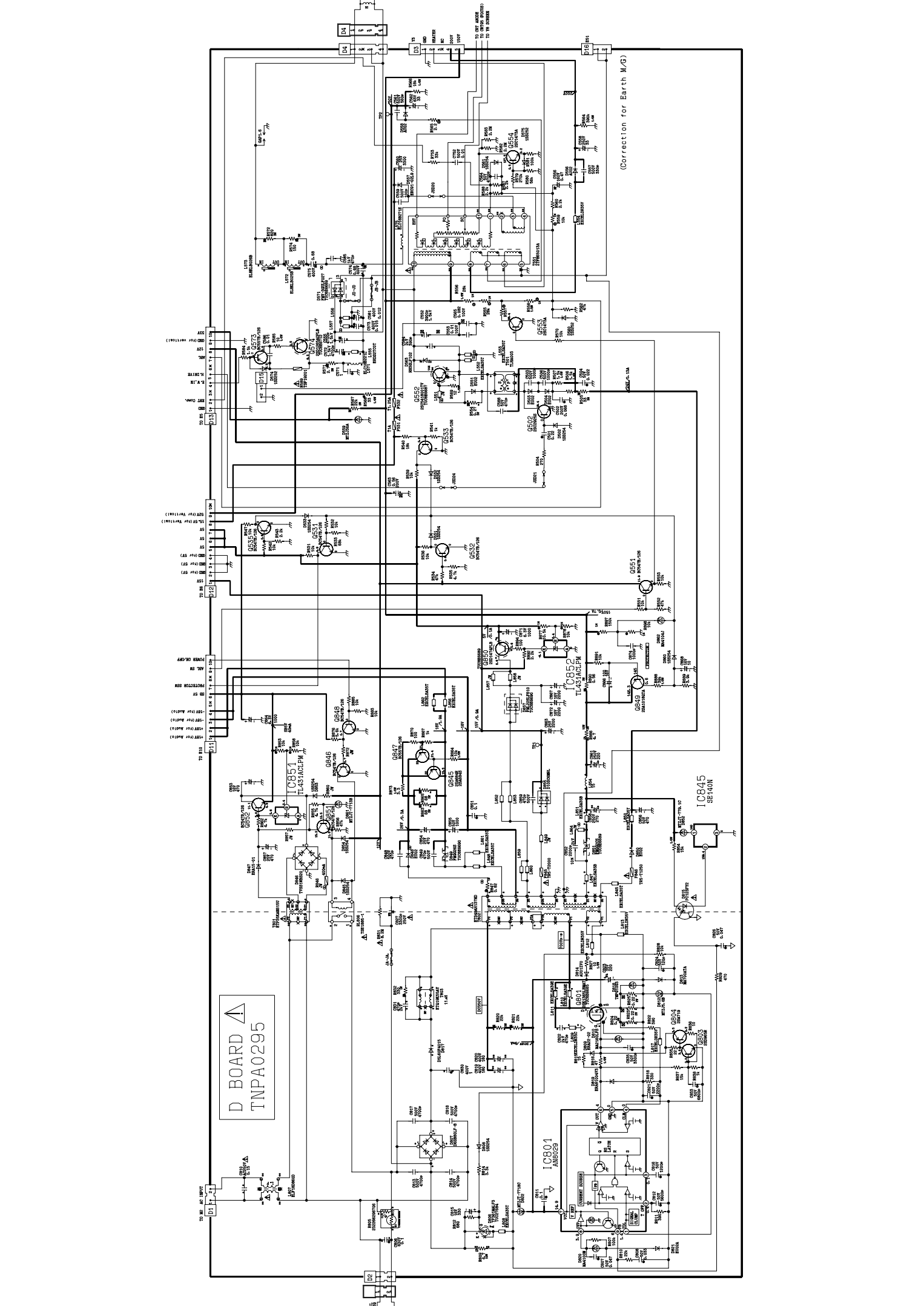
1C801
AMB029

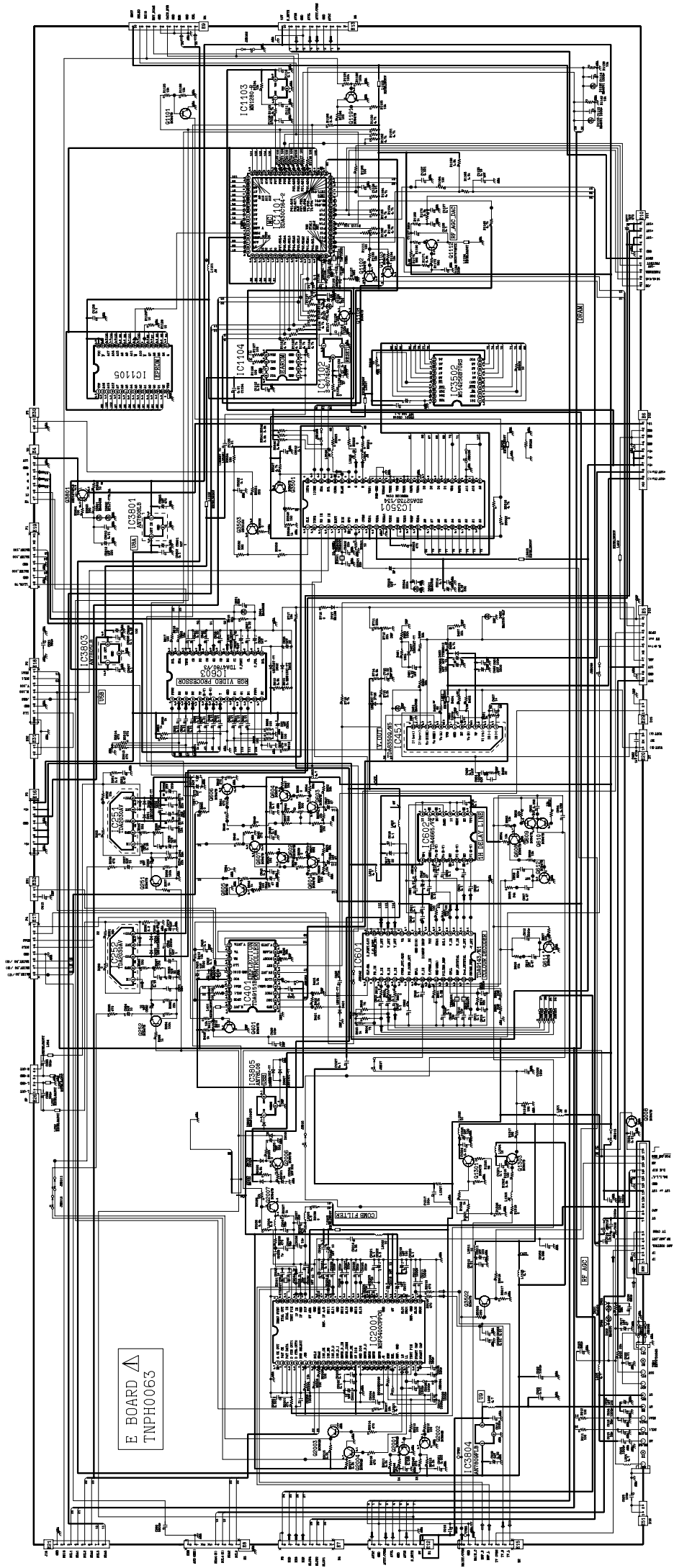
1C845
SE140N

1C851
TL431CLPM

1C852
TL431CLPM

1C853
TL431CLPM



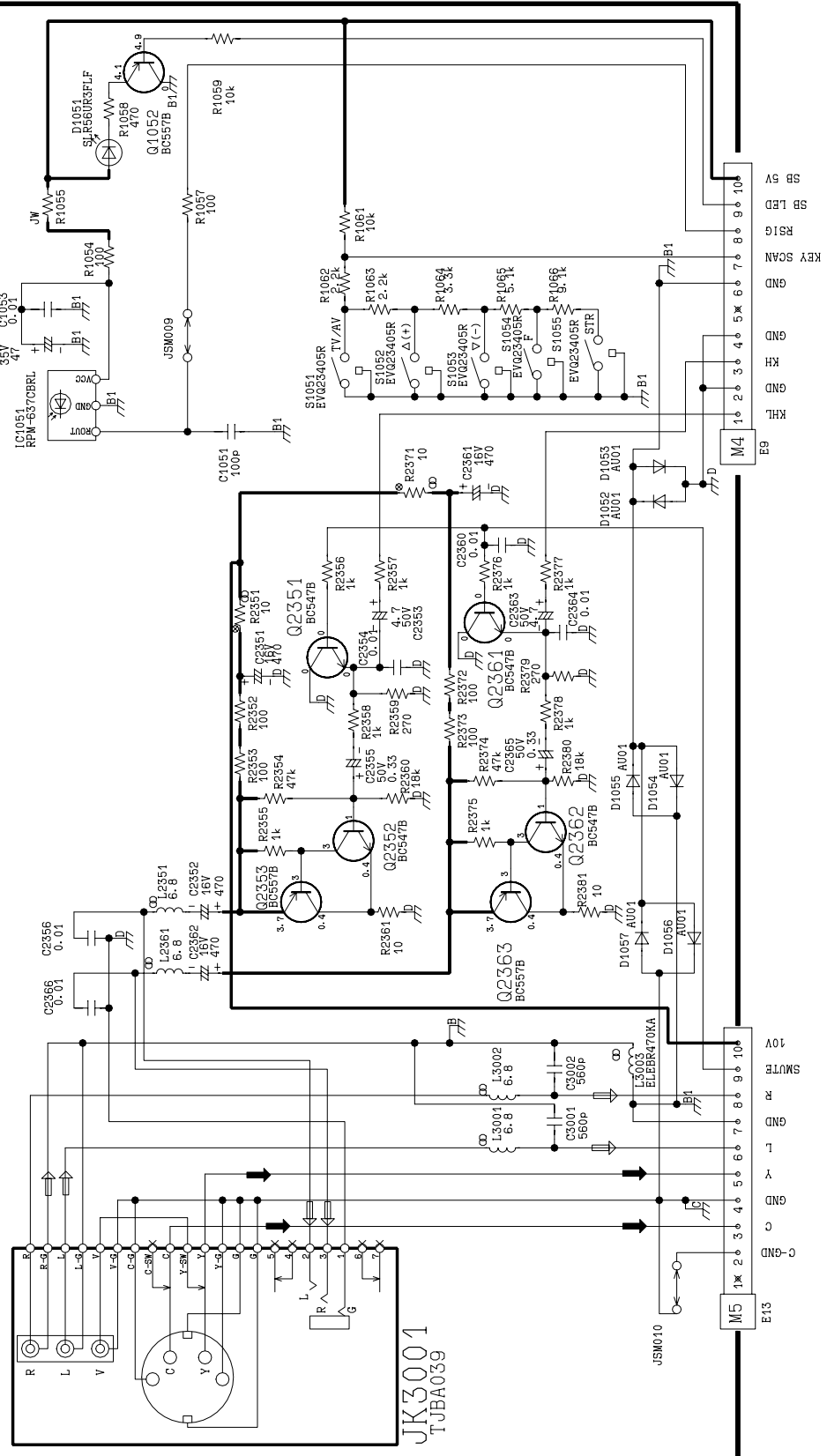
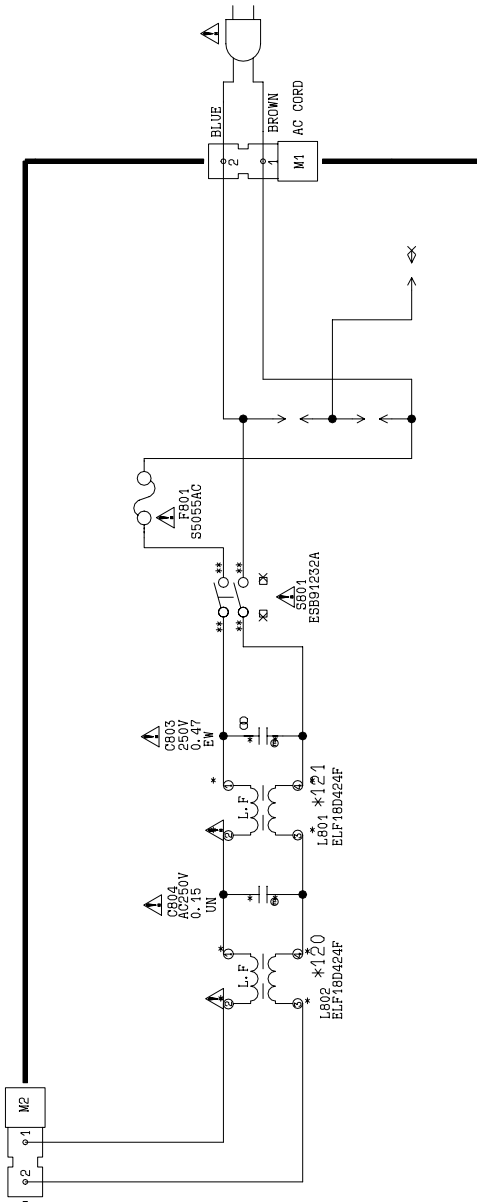


E BOARD
TNP H0063

M BOARD
TNP A0766

COLD

HOT



JK3001
TJBA039

