

TDA7496S

Figure 1a: Application Circuit.

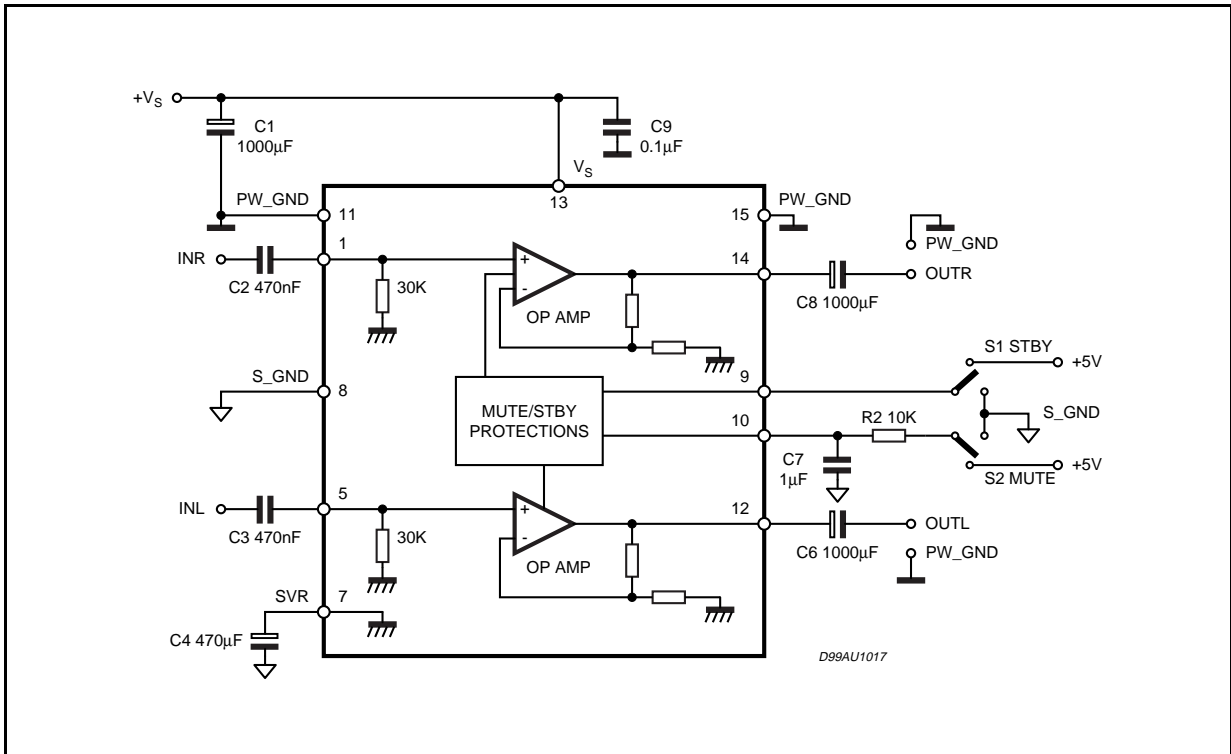


Figure 1b: P.C.B. and Component Layout.

