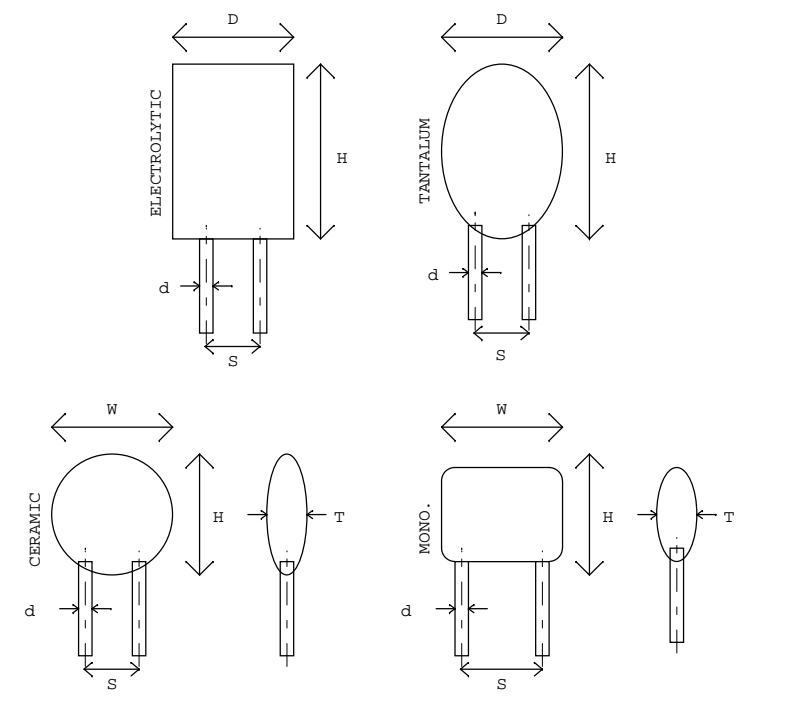
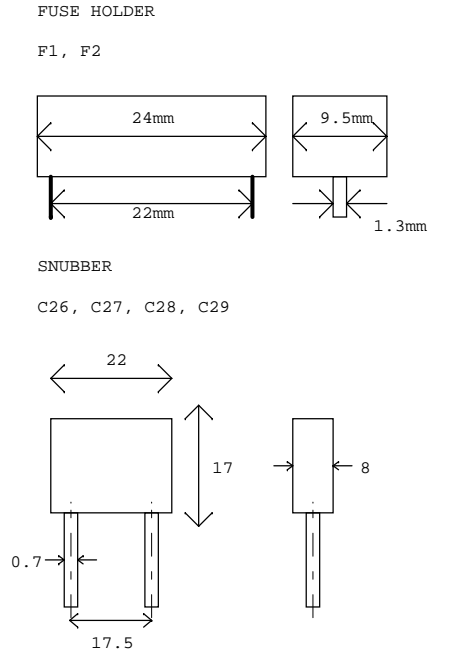


NOTE



- ELECTROLYTIC
(D/S/d/H)
3300U/63V
C32 : 22 / 10 / 1 / 40 mm
470U/25V
C35 : 10 / 5 / 0.6 / 12.5 mm
1000U/35V
C36 : 12.5 / 5 / 0.6 / 20 mm
470U/16V
C37 : 8 / 3.5 / 0.6 / 11.5 mm
- CERAMIC
(W/S/d/H/T)
104
C31 : 6.5 / 5.08 / 0.5 / 6.5 / 2 mm
C33
C39
104/250V
C38 : 17 / 10 / 0.5 / 17 / 2 mm
- MONO.
(W/S/d/H/T)
105
C30 : 6 / 5.08 / 0.5 / 5 / 3 mm
C34



Title		
AL-1120 MAIN 3/3		
Size	Document Number	Rev
A3	<Doc>	1.12E
Date:	Monday, December 15, 2003	Sheet 1 of 1