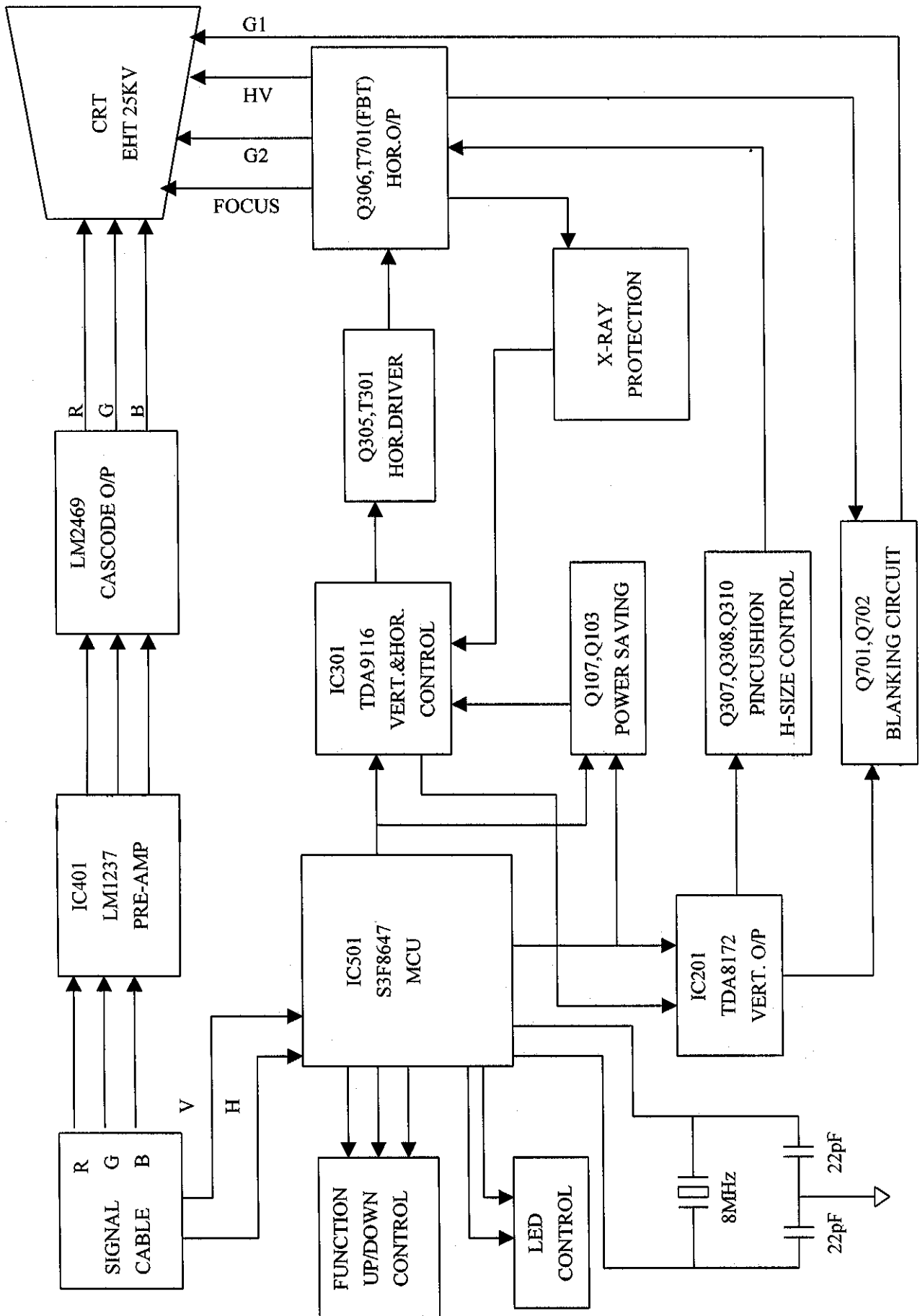
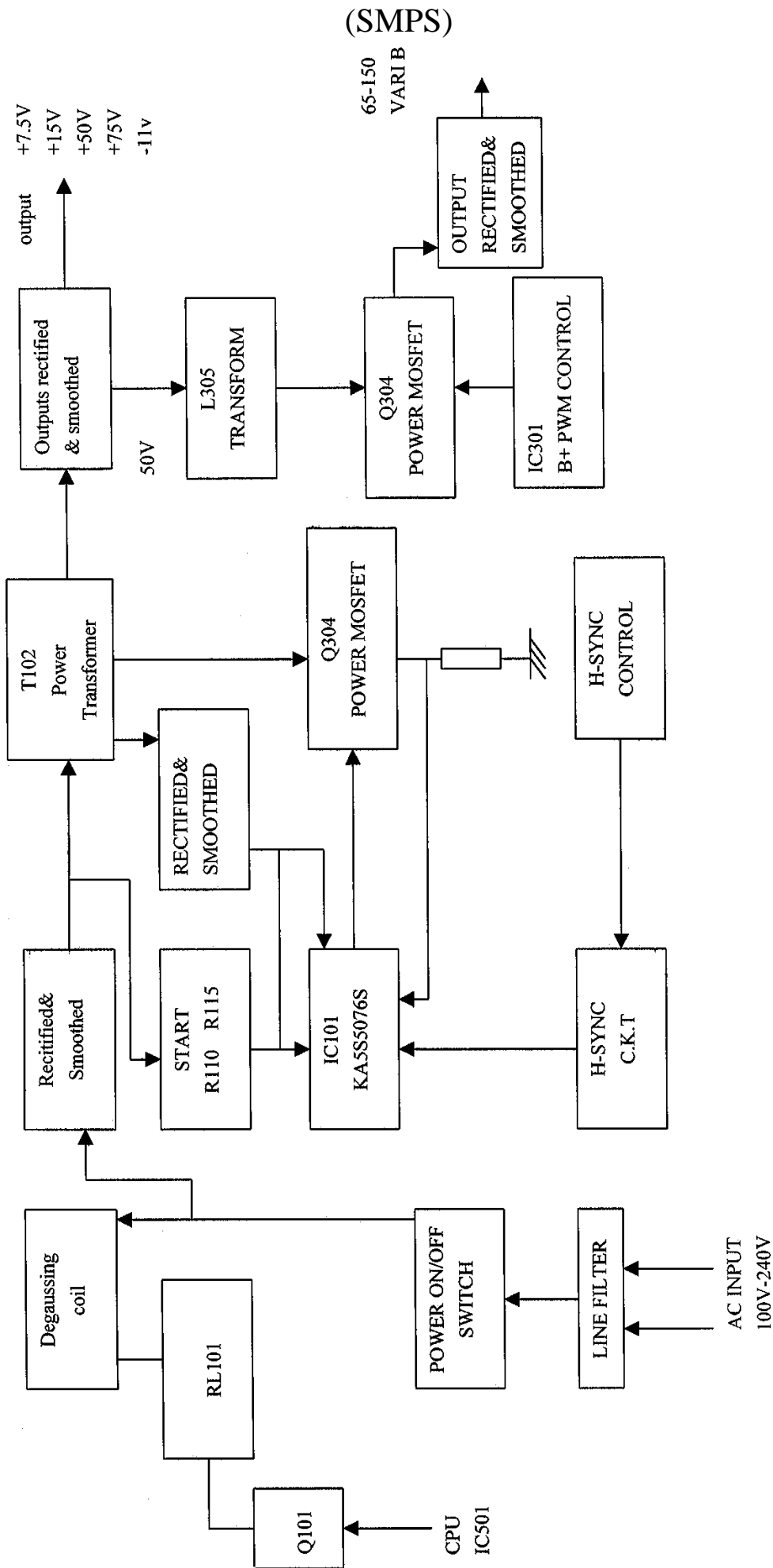
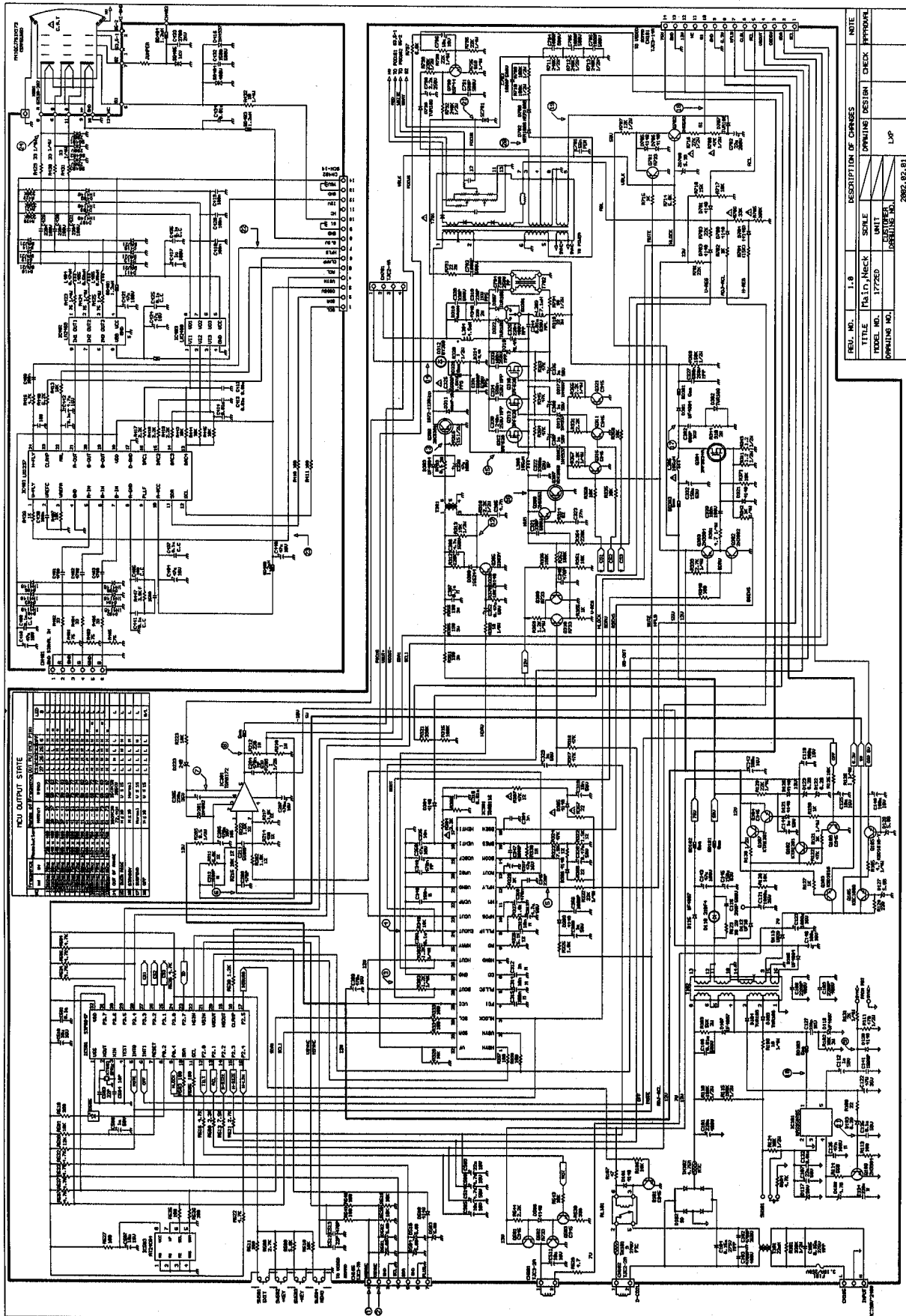


Block Diagram







NEW OUTPUT STAGE

NO.	ITEM	UNIT	VALUE	REMARKS
1	RESISTOR	Ω	100	
2	RESISTOR	Ω	100	
3	RESISTOR	Ω	100	
4	RESISTOR	Ω	100	
5	RESISTOR	Ω	100	
6	RESISTOR	Ω	100	
7	RESISTOR	Ω	100	
8	RESISTOR	Ω	100	
9	RESISTOR	Ω	100	
10	RESISTOR	Ω	100	
11	RESISTOR	Ω	100	
12	RESISTOR	Ω	100	
13	RESISTOR	Ω	100	
14	RESISTOR	Ω	100	
15	RESISTOR	Ω	100	
16	RESISTOR	Ω	100	
17	RESISTOR	Ω	100	
18	RESISTOR	Ω	100	
19	RESISTOR	Ω	100	
20	RESISTOR	Ω	100	
21	RESISTOR	Ω	100	
22	RESISTOR	Ω	100	
23	RESISTOR	Ω	100	
24	RESISTOR	Ω	100	
25	RESISTOR	Ω	100	
26	RESISTOR	Ω	100	
27	RESISTOR	Ω	100	
28	RESISTOR	Ω	100	
29	RESISTOR	Ω	100	
30	RESISTOR	Ω	100	
31	RESISTOR	Ω	100	
32	RESISTOR	Ω	100	
33	RESISTOR	Ω	100	
34	RESISTOR	Ω	100	
35	RESISTOR	Ω	100	
36	RESISTOR	Ω	100	
37	RESISTOR	Ω	100	
38	RESISTOR	Ω	100	
39	RESISTOR	Ω	100	
40	RESISTOR	Ω	100	
41	RESISTOR	Ω	100	
42	RESISTOR	Ω	100	
43	RESISTOR	Ω	100	
44	RESISTOR	Ω	100	
45	RESISTOR	Ω	100	
46	RESISTOR	Ω	100	
47	RESISTOR	Ω	100	
48	RESISTOR	Ω	100	
49	RESISTOR	Ω	100	
50	RESISTOR	Ω	100	
51	RESISTOR	Ω	100	
52	RESISTOR	Ω	100	
53	RESISTOR	Ω	100	
54	RESISTOR	Ω	100	
55	RESISTOR	Ω	100	
56	RESISTOR	Ω	100	
57	RESISTOR	Ω	100	
58	RESISTOR	Ω	100	
59	RESISTOR	Ω	100	
60	RESISTOR	Ω	100	
61	RESISTOR	Ω	100	
62	RESISTOR	Ω	100	
63	RESISTOR	Ω	100	
64	RESISTOR	Ω	100	
65	RESISTOR	Ω	100	
66	RESISTOR	Ω	100	
67	RESISTOR	Ω	100	
68	RESISTOR	Ω	100	
69	RESISTOR	Ω	100	
70	RESISTOR	Ω	100	
71	RESISTOR	Ω	100	
72	RESISTOR	Ω	100	
73	RESISTOR	Ω	100	
74	RESISTOR	Ω	100	
75	RESISTOR	Ω	100	
76	RESISTOR	Ω	100	
77	RESISTOR	Ω	100	
78	RESISTOR	Ω	100	
79	RESISTOR	Ω	100	
80	RESISTOR	Ω	100	
81	RESISTOR	Ω	100	
82	RESISTOR	Ω	100	
83	RESISTOR	Ω	100	
84	RESISTOR	Ω	100	
85	RESISTOR	Ω	100	
86	RESISTOR	Ω	100	
87	RESISTOR	Ω	100	
88	RESISTOR	Ω	100	
89	RESISTOR	Ω	100	
90	RESISTOR	Ω	100	
91	RESISTOR	Ω	100	
92	RESISTOR	Ω	100	
93	RESISTOR	Ω	100	
94	RESISTOR	Ω	100	
95	RESISTOR	Ω	100	
96	RESISTOR	Ω	100	
97	RESISTOR	Ω	100	
98	RESISTOR	Ω	100	
99	RESISTOR	Ω	100	
100	RESISTOR	Ω	100	

REV. NO.	1-8	DESCRIPTION OF CHANGES	DATE	BY	CHECK	APPROVAL
TITLE	FA IN CHECK	SCALE				
MODEL NO.	1772D	UNIT				
DRAWING NO.		DESIGNER				
		LJP				
		2002.02.01				