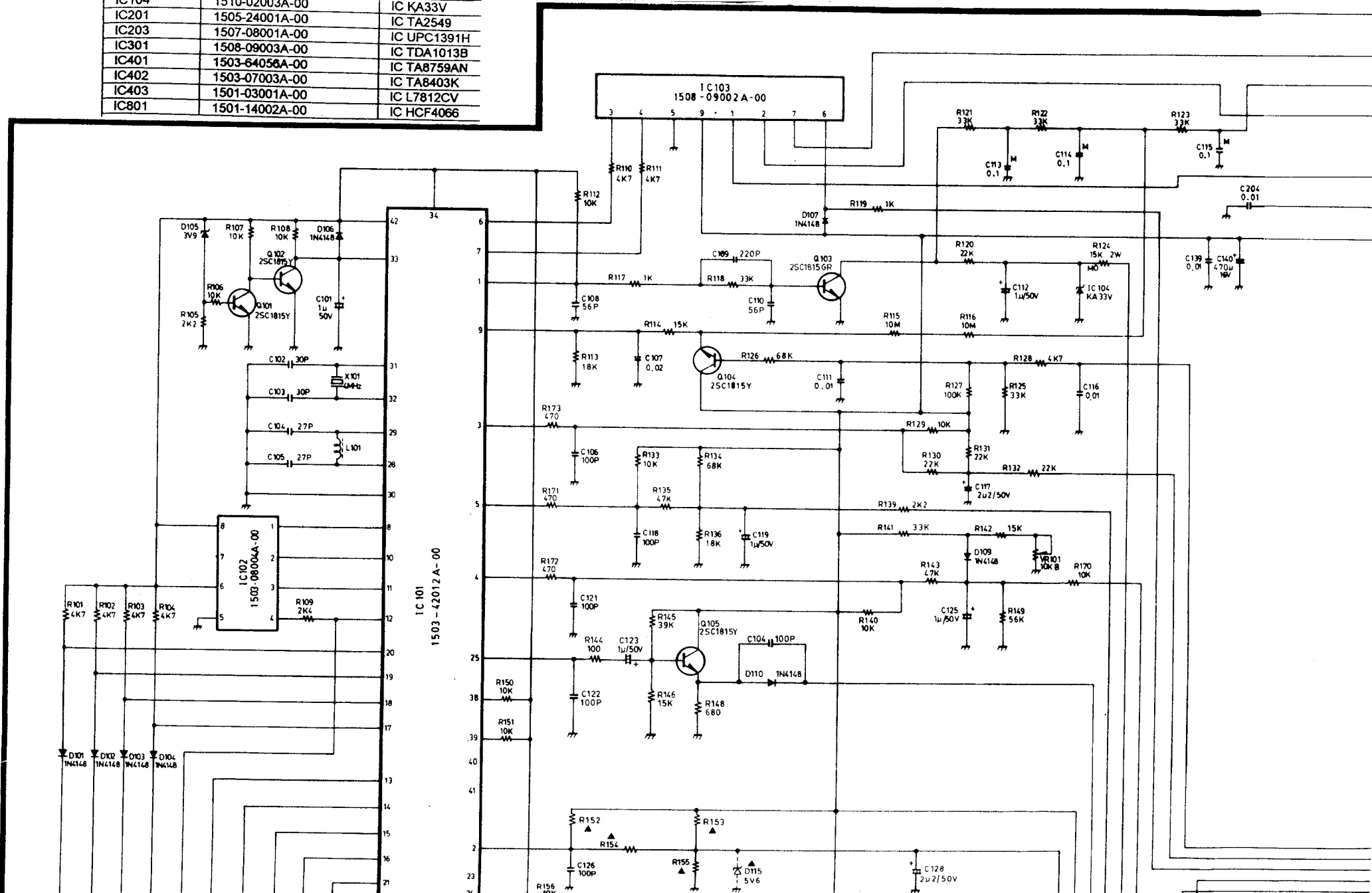


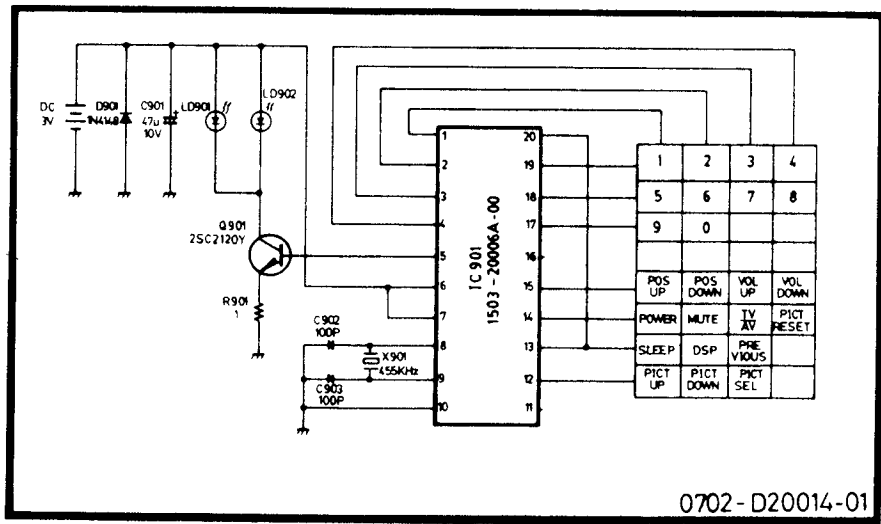
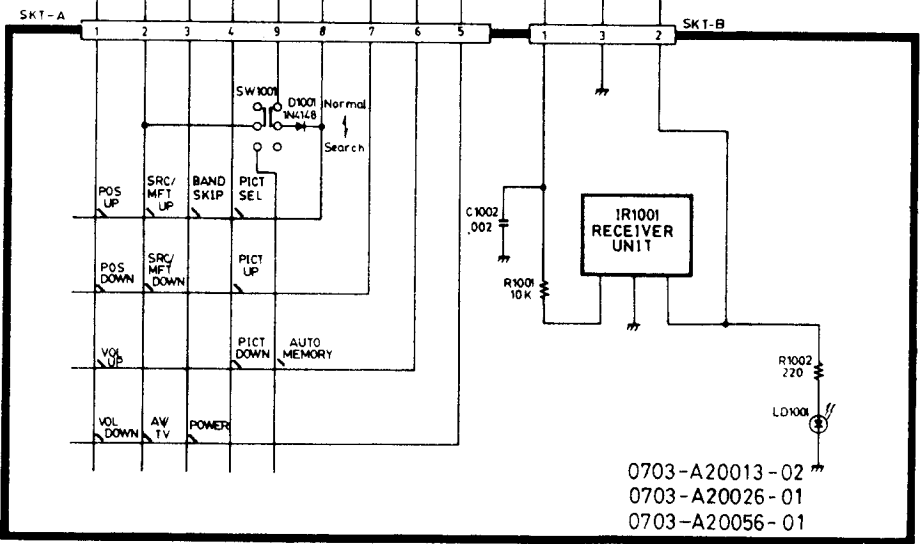
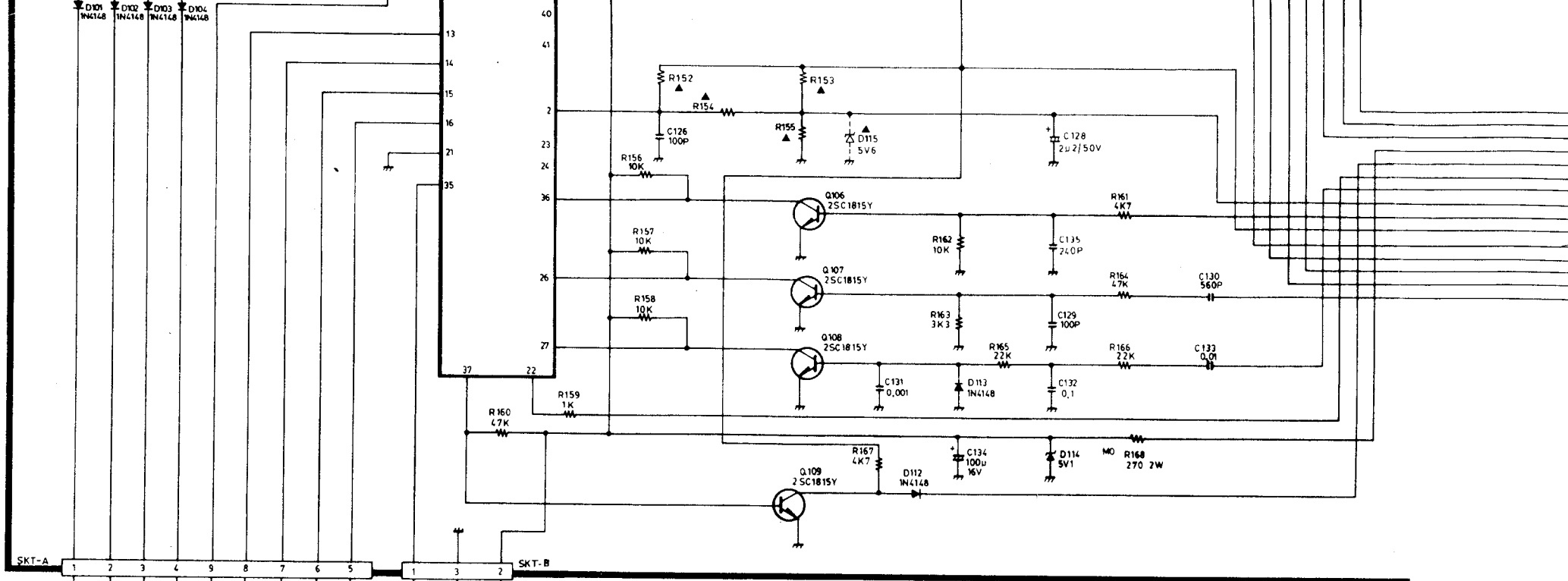
SHIVAKI

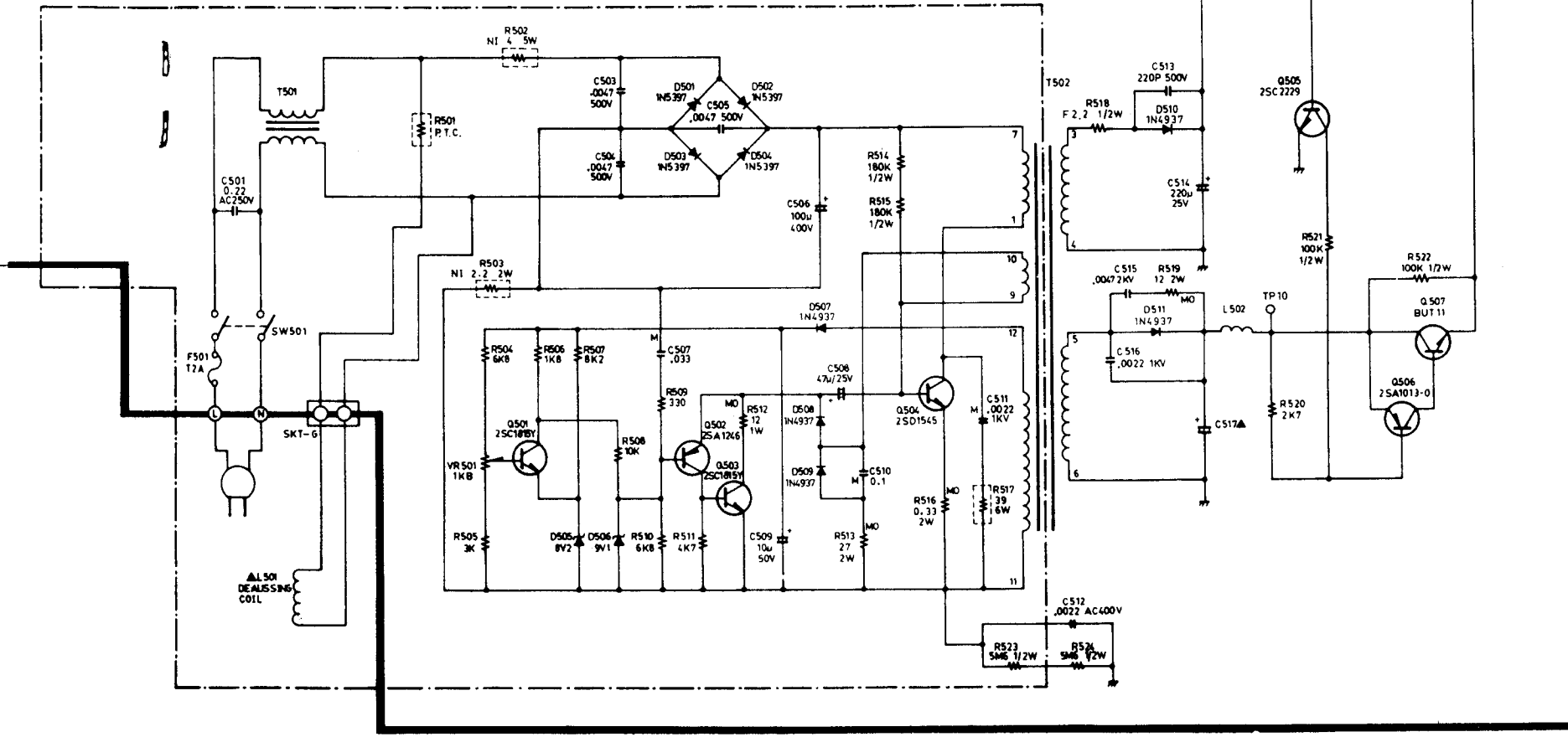
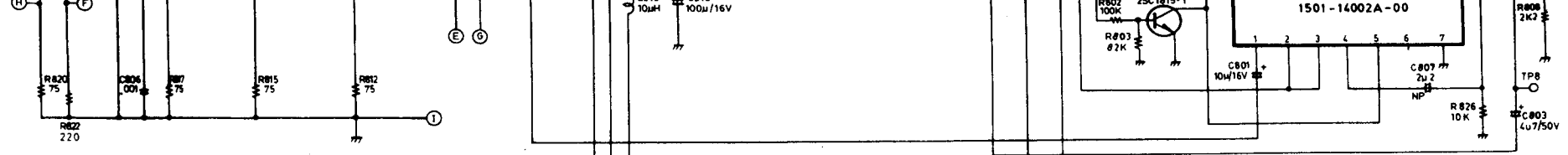
14"/20"/21"-BK STV-143M4 COLOUR TELEVISION STV-208M4

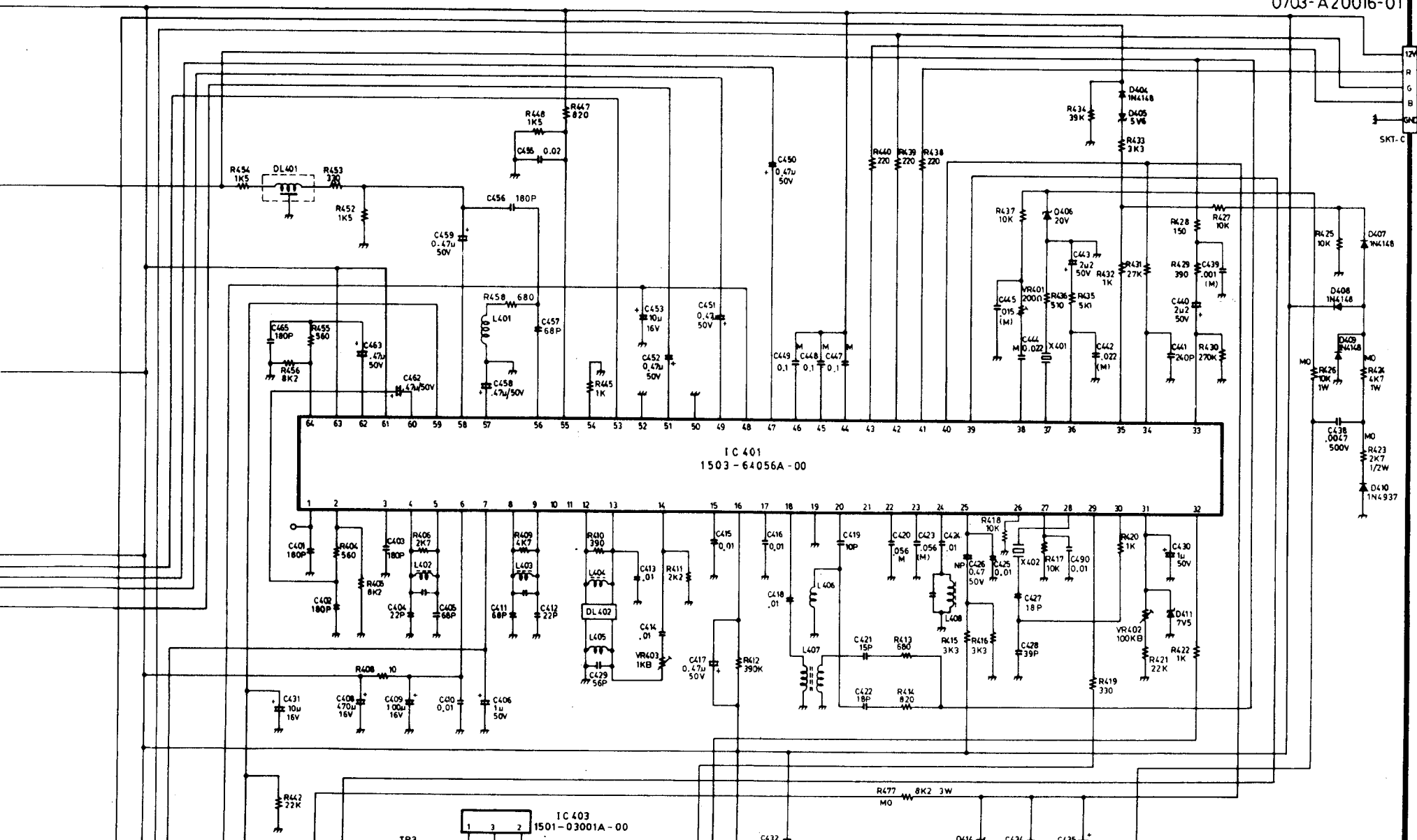
SEMICONDUCTORS

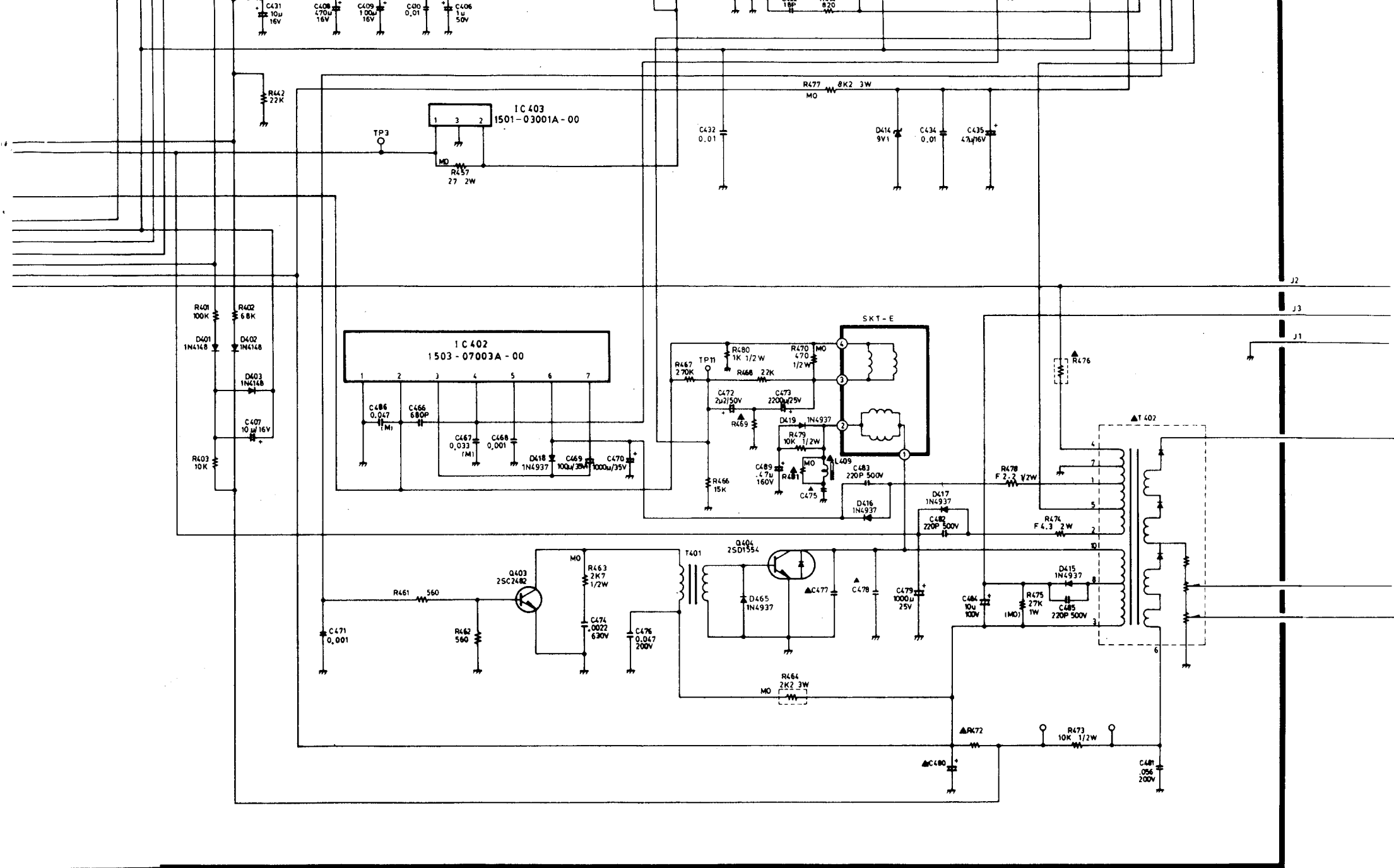
IC103	1508-09002A-00	IC LA7910
IC104	1510-02003A-00	IC KA33V
IC201	1505-24001A-00	IC TA2549
IC203	1507-08001A-00	IC UPC1391H
IC301	1508-09003A-00	IC TDA1013B
IC401	1503-64056A-00	IC TA8759AN
IC402	1503-07003A-00	IC TA8403K
IC403	1501-03001A-00	IC L7812CV
IC801	1501-14002A-00	IC HCF4066



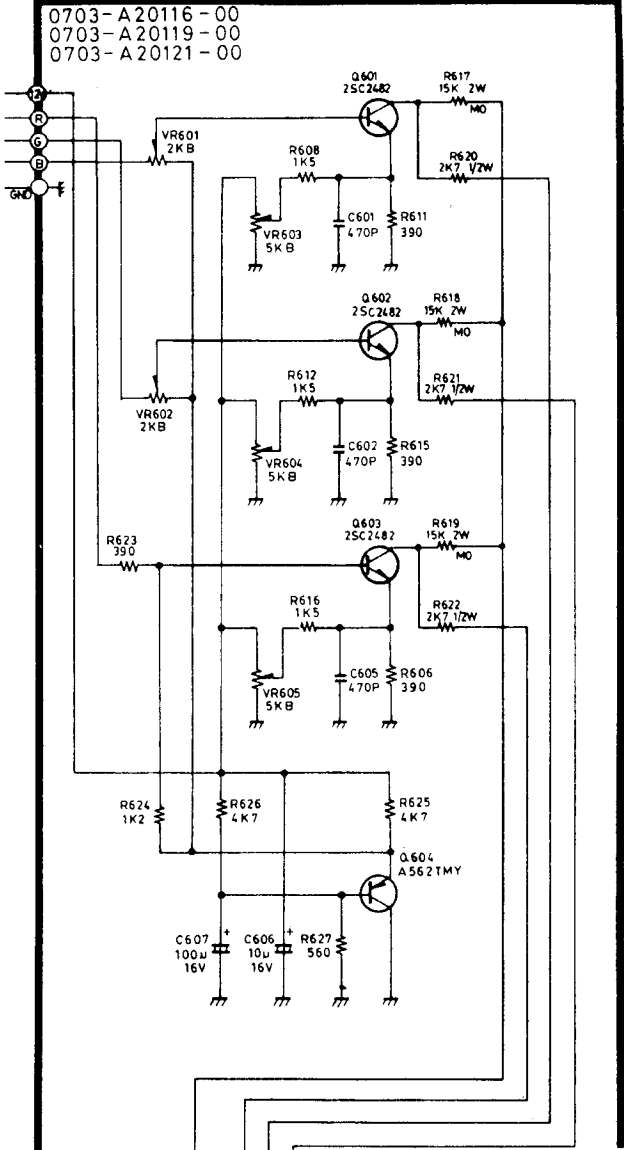
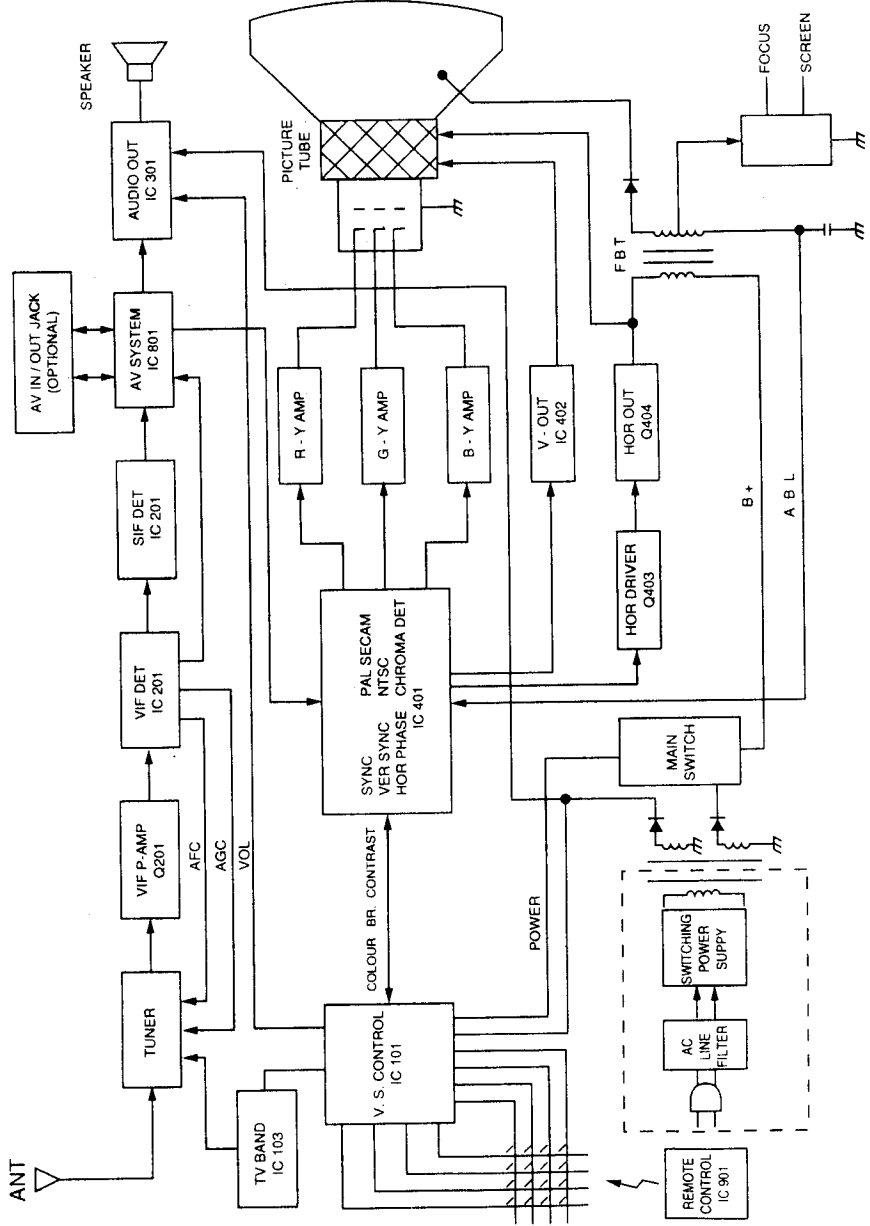


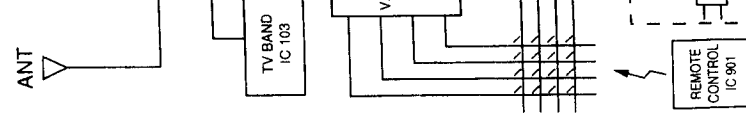
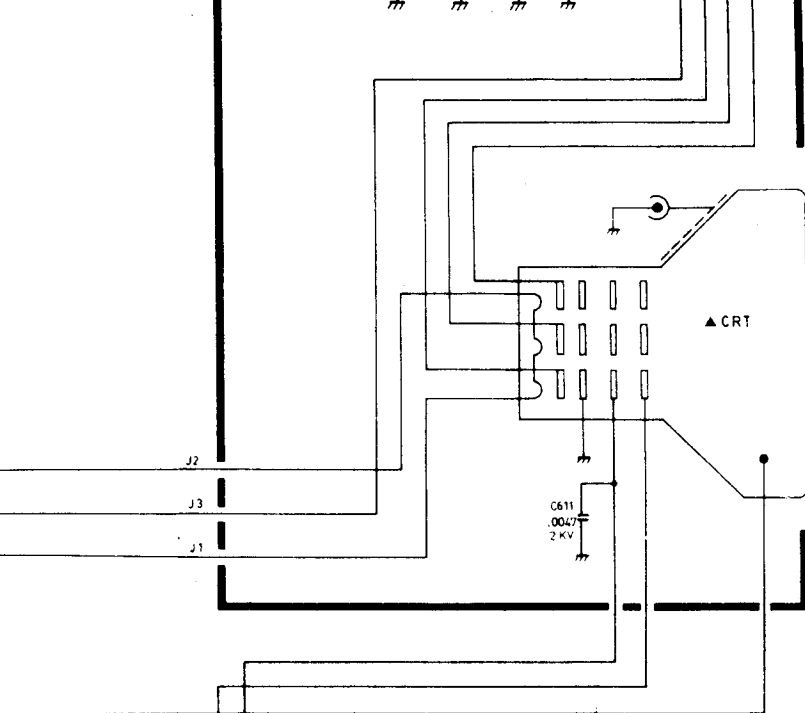






BLOCK DIAGRAM





▲	14"	20"	21"
R472	240K 1/2W	180K 1/2W	180K 1/2W
C475	0.39 μ / 200V	0.47 μ / 200V	0.47 μ / 200V
C477	0.0066 μ / 1.6KV	0.0066 μ / 1.6KV	0.0056 μ / 1.6KV
C480	4.7 μ / 160V	100 μ / 160V	100 μ / 160V
C517	4.7 μ / 160V	100 μ / 160V	100 μ / 160V
T402	0907-030006-00	0907-030007-00	0907-030007-00
SP 301	16 OHM 1.5W	8 OHM 3W	8 OHM 3W
CRT	2010-37010A-00	2010-48009A-00	2003-51003A-00
L409			0804-050060-00
R476	2.2 Ω 2W	3.9 Ω 2W	3.9 Ω 2W
L501	0804-02002X-00	0804-02001X-00	0823-02009X-00
R153	82K		
R154	5K6	3K3	3K3
R469	2.2 Ω 1W	2.2 Ω 1W	1.5 Ω 1W
R481			270 Ω 2W
R155	22K	D115 (5V6)	D115 (5V6)
C478	560P / 2KV		
R304	47K	56K	56K

