

Replacement Kit for VDP3108-29

Contents

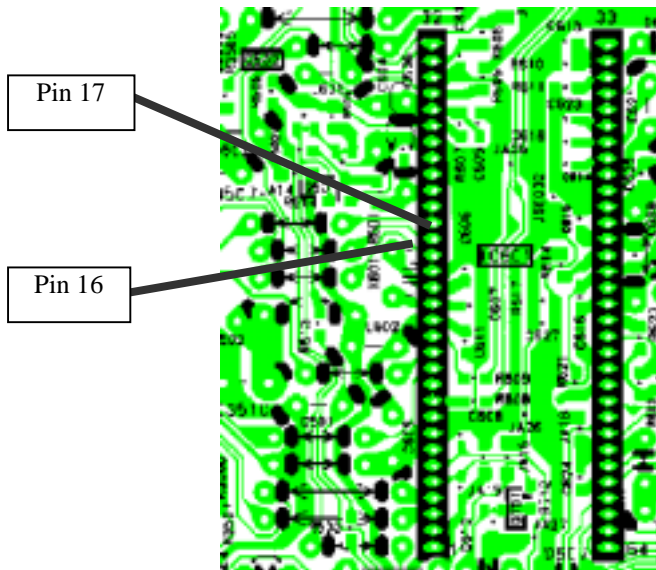
Item	Part Number	Description	Qty
1	VDP3108APPA1	Video Processor I.C.	1
2	ECUV1H040CCX	4pF capacitor	2
3	27C010-603SA	EPROM	1
4	TZS9EK006	LABEL	1
5	TZS9EK014	Information sheet (this document)	1

Reason for Change

VDP3108-29 is no longer available.

Method

1. Replace existing VDP3108 with new type provided (item 1 VDP3108APPA1).
2. Add one capacitor (item 2 ECUV1H040CCX) from pin 16 of the new VDP3108 to ground.
3. Add one capacitor (item 2 ECUV1H040CCX) from pin 17 of the new VDP3108 to ground.
4. Replace the existing EPROM with the new one (item 3 27C010-603SA).
5. Switch on the TV, and operate the "SELF CHECK" function to reset the TV.
6. Switch the TV off and then on.
7. Retune the TV.
8. Enter Service Mode I and make any adjustments required to height, width etc.
9. Fix the label to the top of the shield can.



To Enter Service Mode I

1. Enter Service Mode 1 by first setting BASS to maximum and treble to minimum.
2. Press the "REVEAL" key on the remote control and the "PROGRAMME DOWN" button on the TV at the same time.

To operate the "SELF CHECK" function

1. Enter "SELF CHECK" by pressing the "STATUS" key on the remote control and the "PROGRAMME DOWN" button on the TV at the same time.
2. To exit "SELF CHECK", switch off the TV.