

Service  
Service  
Service



- 190CW7CS/00
- 190CW7CS/27
- 190CW7CS/69
- 190CW7CS/75
- 190CW7CS/93
- 190CW7CS/96
- 190CW7CB/69
- 190CW7CB/93
- 190WV7CS/00



# Service Manual

Horizontal frequencies  
30 - 83 kHz

## TABLE OF CONTENTS

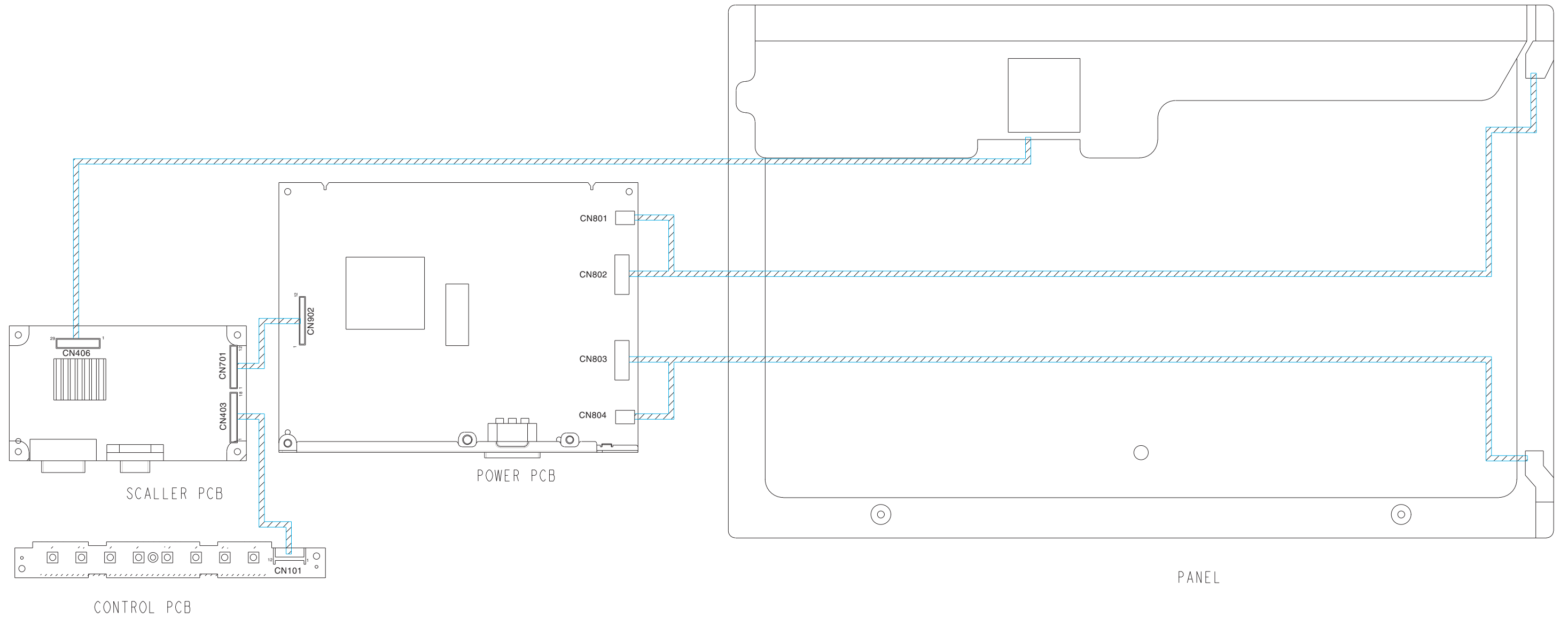
Description	Page	Description	Page
Important Safety Notice-----	2	Failure Mode Of Panel-----	28
Technical Data-----	3	Wiring Diagram-----	29
Installation-----	4	Block Diagram-----	30
Troubleshooting-----	5	Scaler Diagram&C.B.A. -----	31~37
On Screen Display-----	6~7	Power Diagram & C.B.A. -----	38~41
Lock/unlock,Aging,Factory mode-----	8	Control Diagram&C.B.A. -----	42~43
Philips Pixel Defect Policy-----	9	General product specification-----	44~65
Mechanical Instructions -----	10~11	Exploded View -----	66
Color adjustment -----	12	Repair tips-----	67~68
FAQs (Frequently Asked Questions)-----	13~14	Repair Flow chart-----	69~71
Electrical instruction -----	15~16	Safety Test Requirments-----	72
DDC Instructions&Serial Number -----	17~23	Spare/Recommended Parts List-----	73~77
DDC DATA -----	24~25	Different Parts List-----	78~83
Firmware Upgrade for CPU-----	26~27	Revision List-----	84

### SAFETY NOTICE

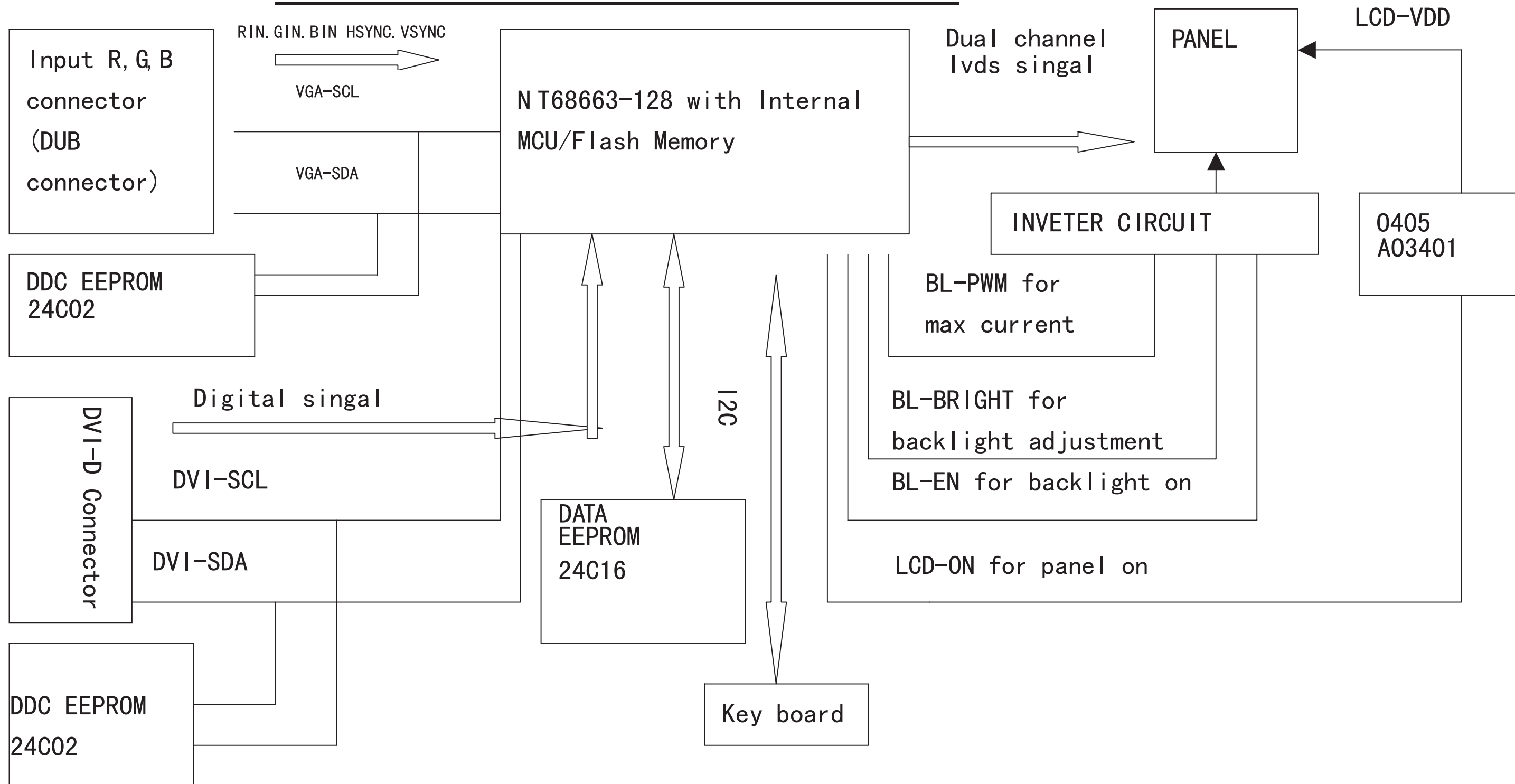
ANY PERSON ATTEMPTING TO SERVICE THIS CHASSIS MUST FAMILIARIZE HIMSELF WITH THE CHASSIS AND BE AWARE OF THE NECESSARY SAFETY PRECAUTIONS TO BE USED WHEN SERVICING ELECTRONIC EQUIPMENT CONTAINING HIGH VOLTAGES.

CAUTION: USE A SEPARATE ISOLATION TRANSFORMER FOR THIS UNIT WHEN SERVICING.

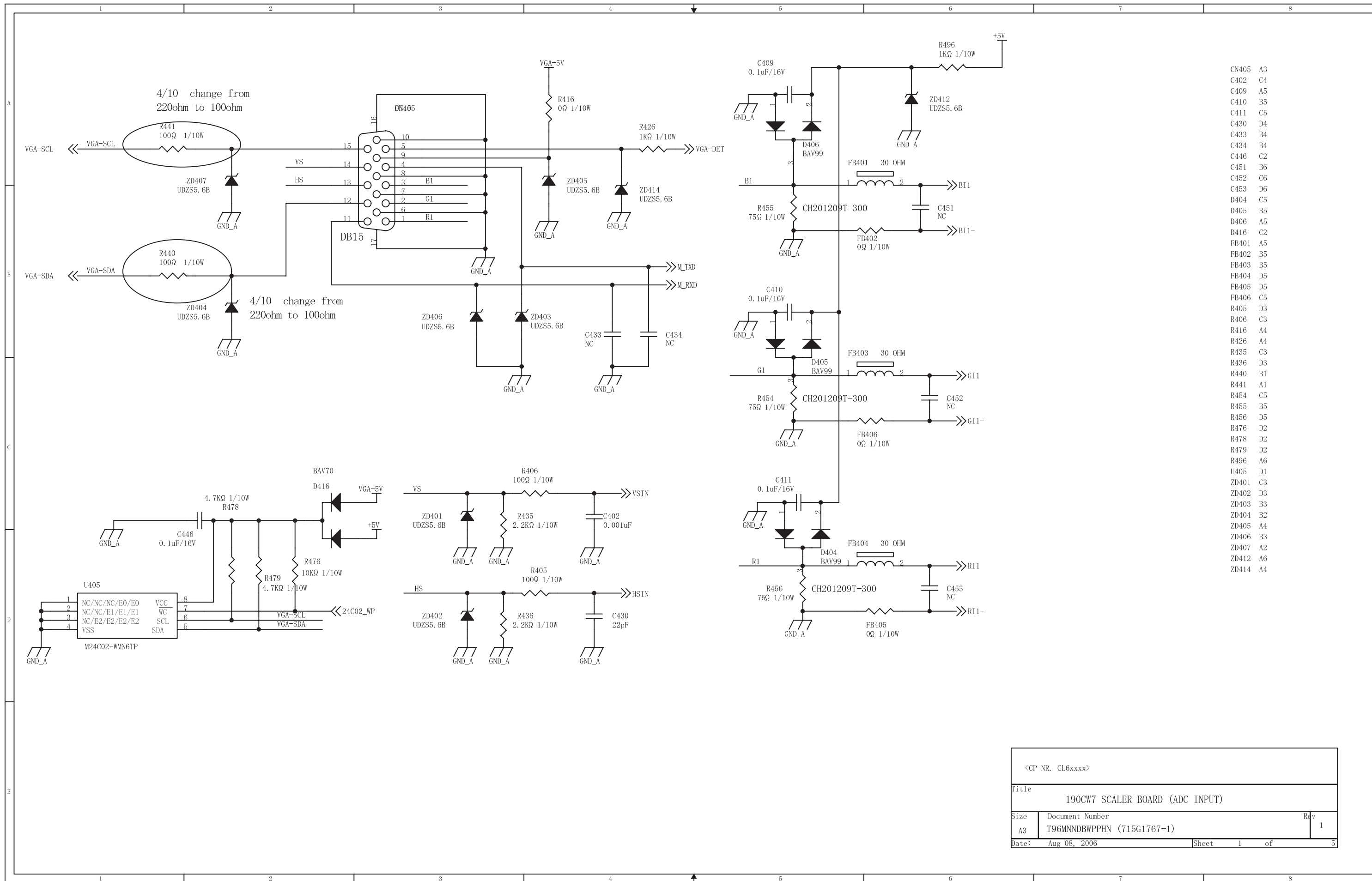
REFER TO BACK COVER FOR IMPORTANT SAFETY GUIDELINES



PHILIPS 190CW7 MAIN BOARD BLOCK DIAGRAM



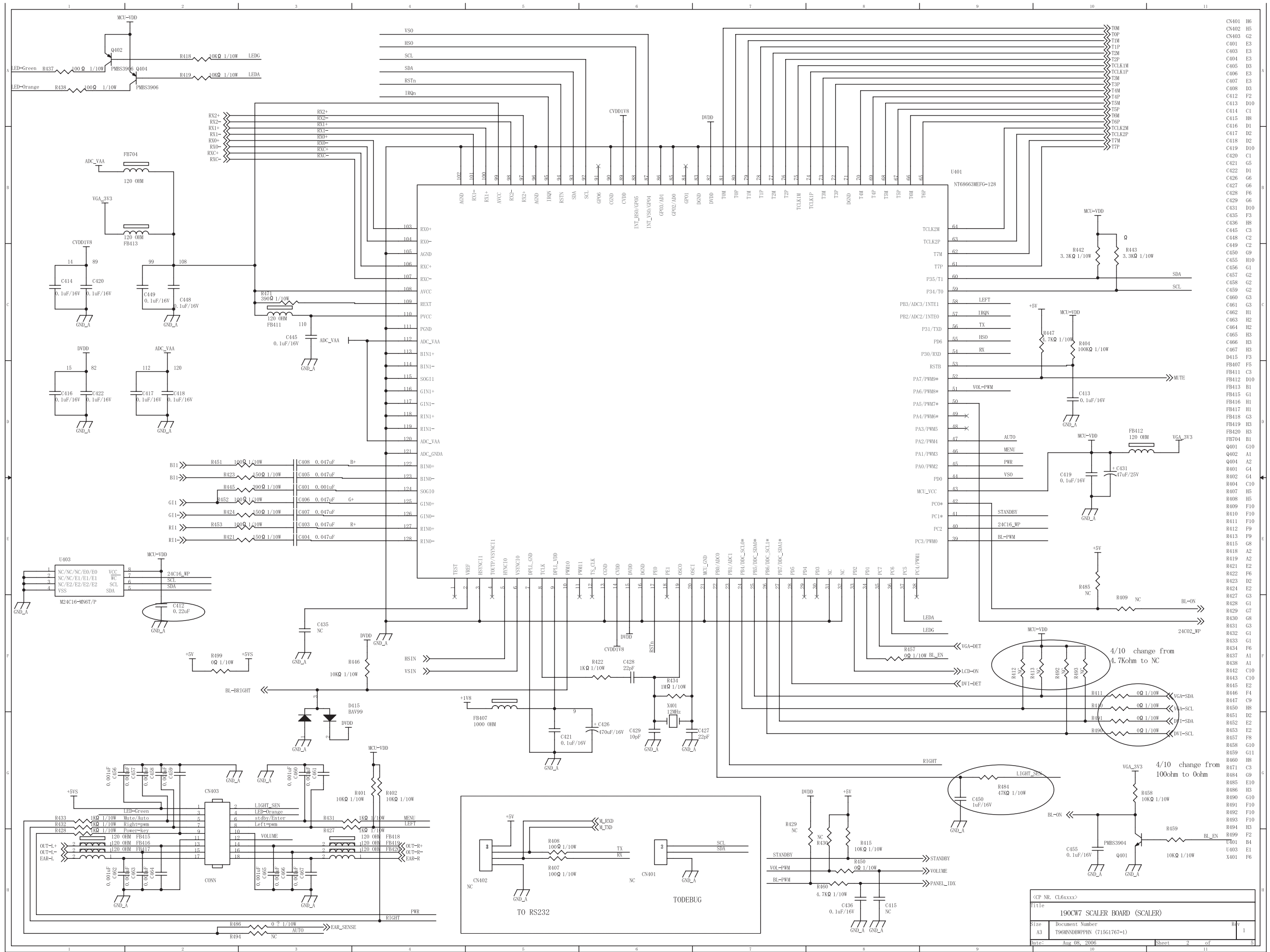
# Scaler Diagram-1



- CN405 A3
- C402 C4
- C409 A5
- C410 B5
- C411 C5
- C430 D4
- C433 B4
- C434 B4
- C446 C2
- C451 B6
- C452 C6
- C453 D6
- D404 C5
- D405 B5
- D406 A5
- D416 C2
- FB401 A5
- FB402 B5
- FB403 B5
- FB404 D5
- FB405 D5
- FB406 C5
- R405 D3
- R406 C3
- R416 A4
- R426 A4
- R435 C3
- R436 D3
- R440 B1
- R441 A1
- R454 C5
- R455 B5
- R456 D5
- R476 D2
- R478 D2
- R479 D2
- R496 A6
- U405 D1
- ZD401 C3
- ZD402 D3
- ZD403 B3
- ZD404 B2
- ZD405 A4
- ZD406 B3
- ZD407 A2
- ZD412 A6
- ZD414 A4

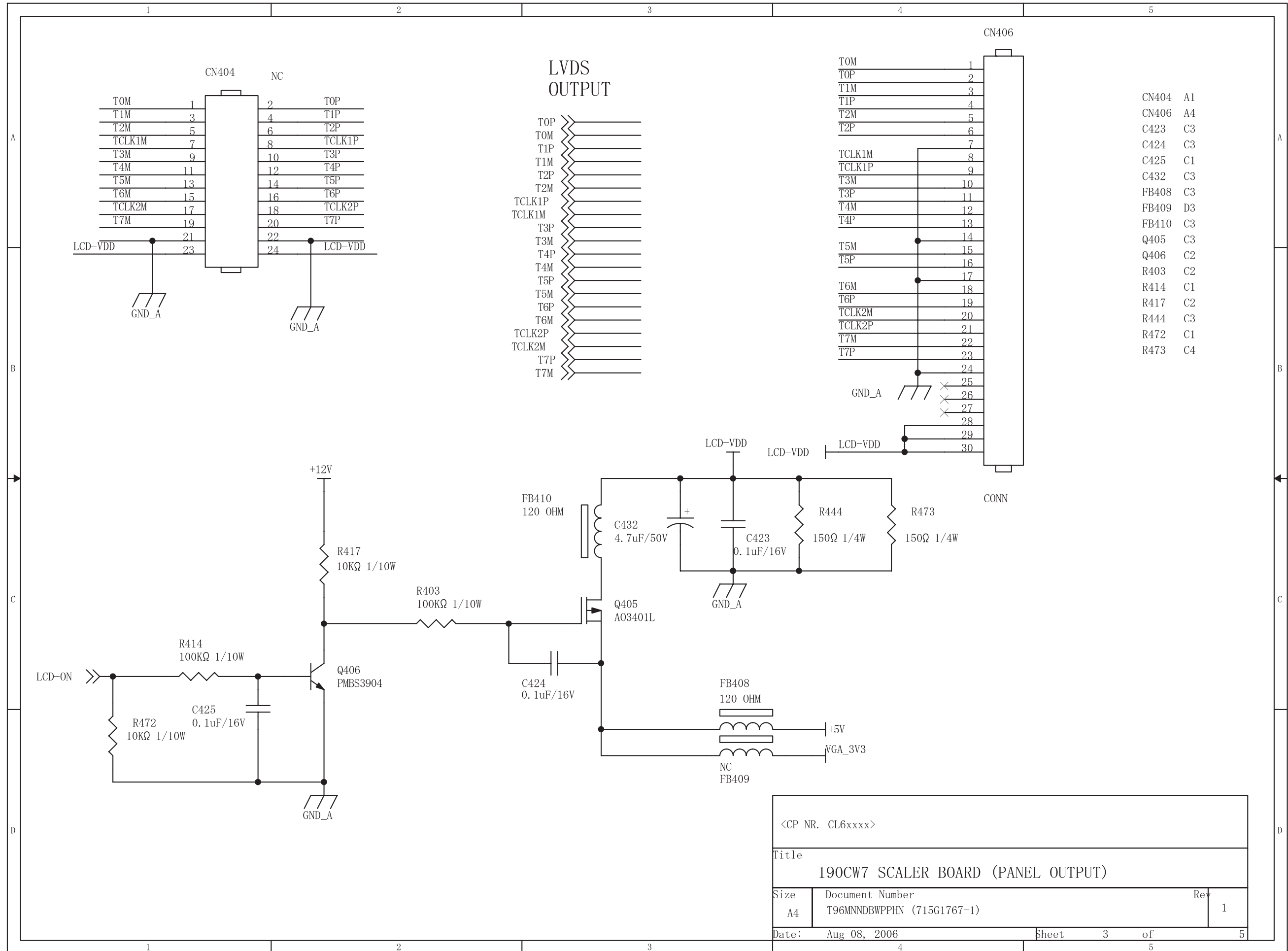
Title		190CW7 SCALER BOARD (ADC INPUT)	
Size	Document Number	Rev	
A3	T96MNNDBWPPHN (715G1767-1)	1	
Date:	Aug 08, 2006	Sheet	1 of 5

# Scaler Diagram-2



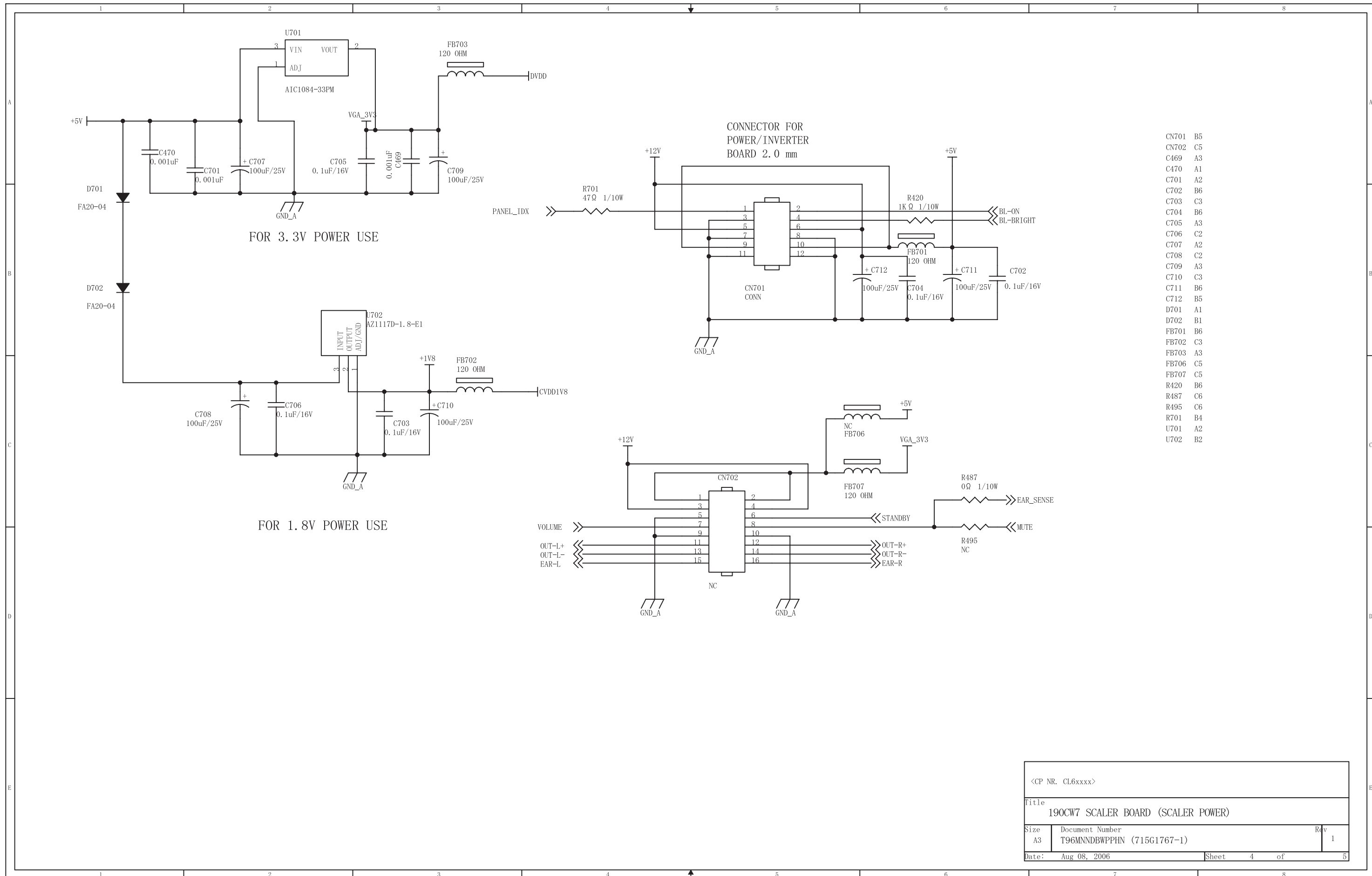
CP NR. CL6xxxx	
File: 190CW7 SCALER BOARD (SCALER)	
Size: A3	Document Number: T96MNDWPPFN (71561767-1)
Date: Aug 08, 2006	Sheet: 2 of 5

# Scaler Diagram-3



<CP NR. CL6xxxx>		
Title 190CW7 SCALER BOARD (PANEL OUTPUT)		
Size A4	Document Number T96MNNDBWPPHN (715G1767-1)	Rev 1
Date: Aug 08, 2006	Sheet 3	of 5

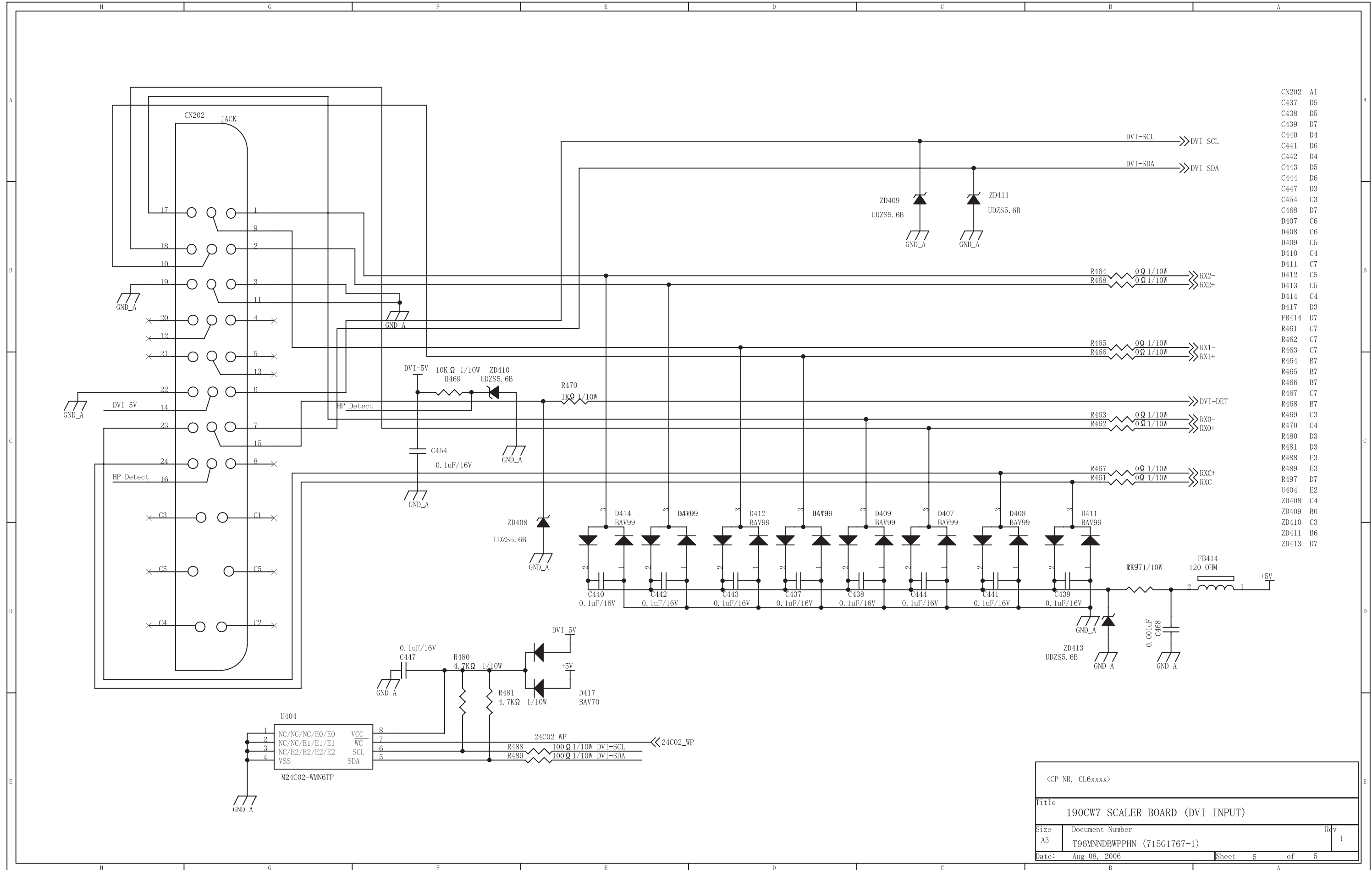
# Scaler Diagram-4



- CN701 B5
- CN702 C5
- C469 A3
- C470 A1
- C701 A2
- C702 B6
- C703 C3
- C704 B6
- C705 A3
- C706 C2
- C707 A2
- C708 C2
- C709 A3
- C710 C3
- C711 B6
- C712 B5
- D701 A1
- D702 B1
- FB701 B6
- FB702 C3
- FB703 A3
- FB706 C5
- FB707 C5
- R420 B6
- R487 C6
- R495 C6
- R701 B4
- U701 A2
- U702 B2

<CP NR. CL6xxxx>		
Title 190CW7 SCALER BOARD (SCALER POWER)		
Size A3	Document Number T96MNNDBWPPHN (715G1767-1)	Rev 1
Date: Aug 08, 2006	Sheet 4	of 5

# Scaler Diagram-5

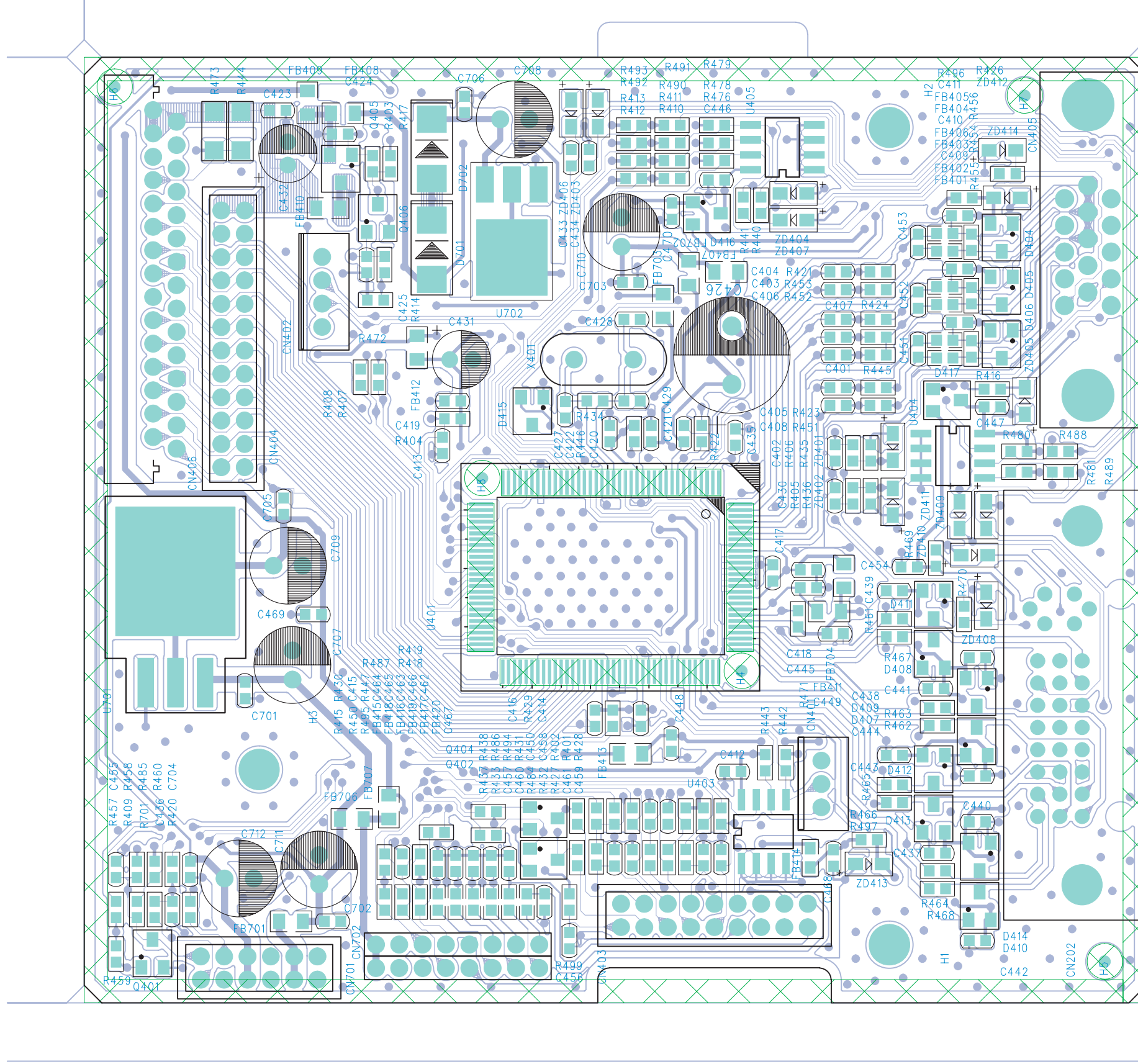


- CN202 A1
- C437 D5
- C438 D5
- C439 D7
- C440 D4
- C441 D6
- C442 D4
- C443 D5
- C444 D6
- C447 D3
- C454 C3
- C468 D7
- D407 C6
- D408 C6
- D409 C5
- D410 C4
- D411 C7
- D412 C5
- D413 C5
- D414 C4
- D417 D3
- FB414 D7
- R461 C7
- R462 C7
- R463 C7
- R465 B7
- R466 B7
- R467 C7
- R468 B7
- R469 C3
- R470 C4
- R480 D3
- R481 D3
- R488 E3
- R489 E3
- R497 D7
- U404 E2
- ZD408 C4
- ZD409 B6
- ZD410 C3
- ZD411 B6
- ZD413 D7

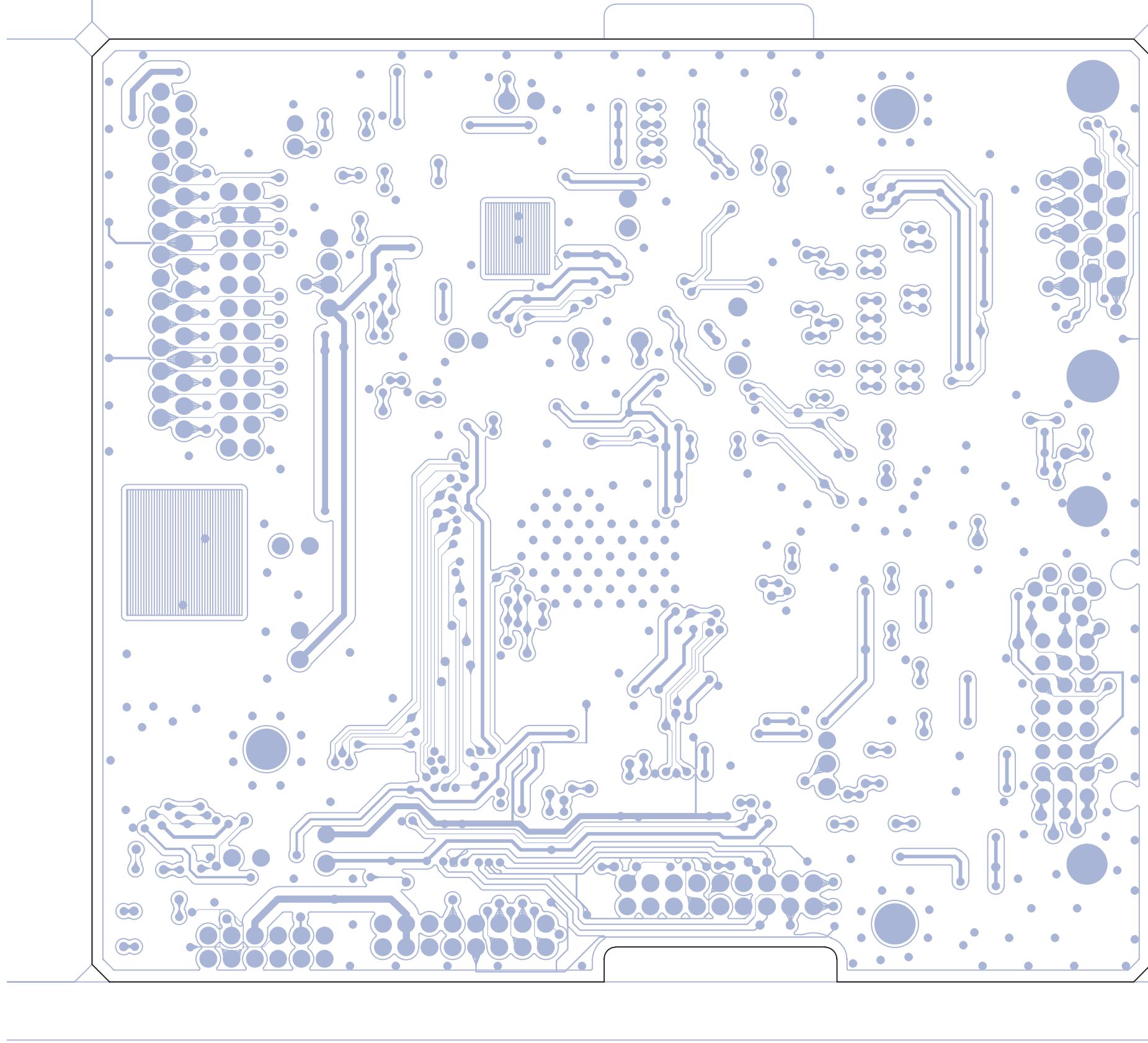
Title		190CW7 SCALER BOARD (DVI INPUT)	
Size	A3	Document Number	T96MNNDBWPPHN (715G1767-1)
Date:	Aug 08, 2006	Sheet	5 of 5



# Scaler Board C.B.A.-1

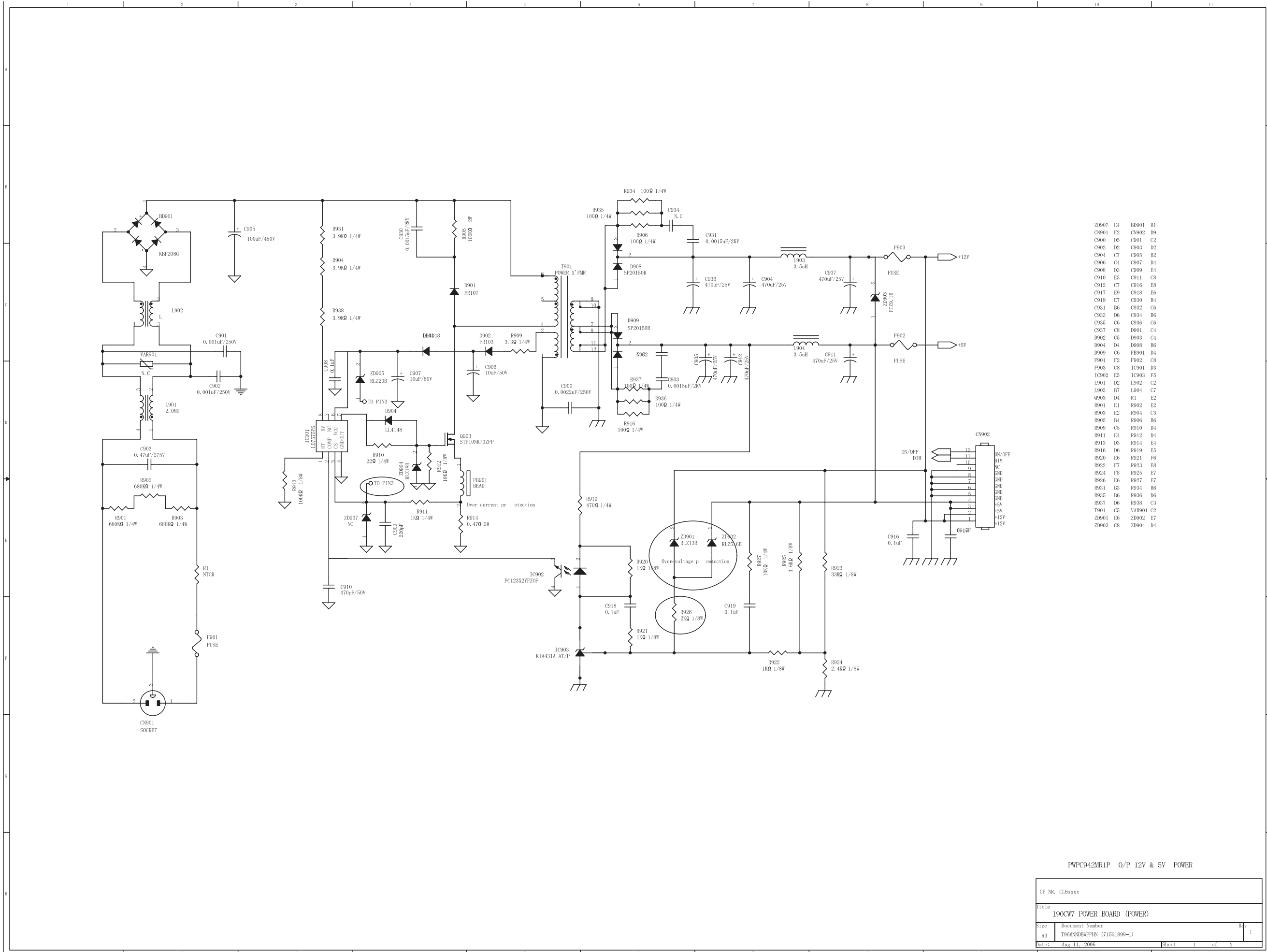


MODEL:	715G1767-1		DATE	2006-3-10
	TOP SIDE		F/N	715G1767-1
			LAYER	2
	Tel: (03)5630585 ; Fax: (03)5630587		LAYOUT	cheng



MODEL: <b>H S</b>	DATE	2006-3-10
	F/N	715G1767-1
	LAYER	2
	LAYOUT	cheng
715G1767-1 BOTTOM SIDE Tel: (03)5630585 ; Fax: (03)5630587		

# Power Diagram-1

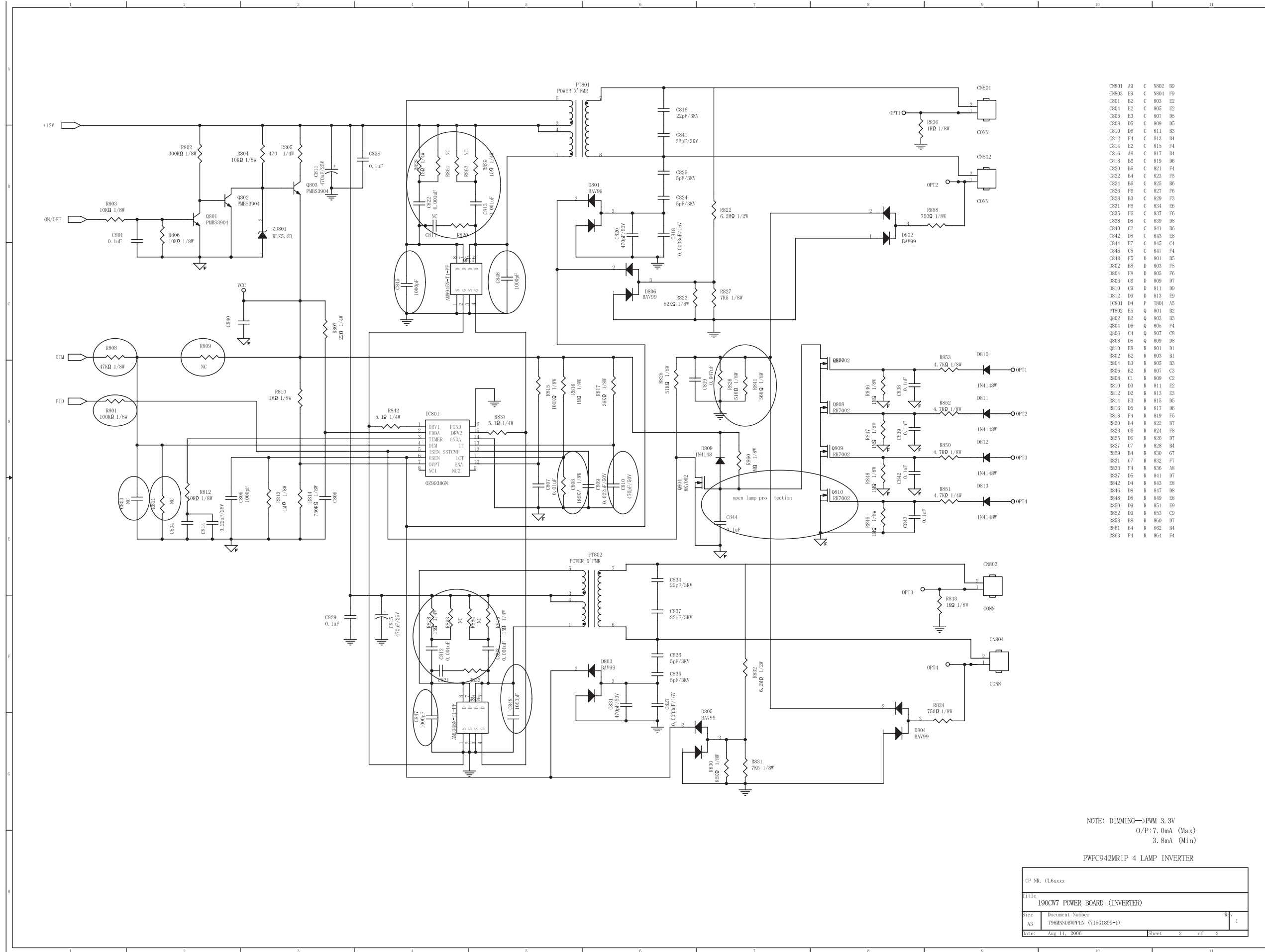


- ZD907 E4
- CN901 F2
- C900 D5
- C902 D2
- C904 C7
- C906 C4
- C908 D3
- C910 E3
- C912 C7
- C917 E9
- C919 E7
- C931 B6
- C933 D6
- C935 C6
- C937 C8
- D902 C5
- D904 D4
- D909 C6
- F901 F2
- F903 C8
- IC902 E5
- L901 D2
- L903 E7
- Q903 D4
- R901 E1
- R903 E2
- R905 B4
- R909 C5
- R911 E4
- R913 D3
- R916 D6
- R920 E6
- R922 F7
- R924 F8
- R926 E6
- R931 E3
- R935 B6
- R937 D6
- T901 C5
- ZD901 E6
- ZD903 C8
- BD901 B1
- CN902 D9
- C901 C2
- C903 D2
- C905 B2
- C907 D4
- C909 E4
- C911 C8
- C916 E8
- C918 E6
- C930 B4
- C932 C6
- C934 B6
- C936 C6
- D901 C4
- D903 C4
- D908 B6
- FB901 D4
- F902 C8
- IC901 D3
- IC903 F5
- L902 C2
- L904 C7
- E1
- E2
- E2
- C3
- B6
- D6
- C3
- B6
- E7
- E7
- B6
- D6
- C3
- C2
- E7
- E7
- B6
- C3
- C2
- E7
- E7
- D4

PWPC942MR1P O/P 12V & 5V POWER

CP NR. CL6xxxx	
Title 190CW7 POWER BOARD (POWER)	
Size A3	Document Number T96MND8WPPIN (71561899-1)
Date Aug 11, 2006	Sheet 1 of 2

# Power Diagram-2



- CN801 A9 C NS02 B9
- CN803 E9 C NS04 F9
- CN801 B2 C 803 E2
- CN804 E2 C 805 E2
- CN806 E3 C 807 D5
- CN808 D5 C 809 D5
- CN810 D6 C 811 B3
- CN812 F4 C 813 B4
- CN814 E2 C 815 F4
- CN816 A6 C 817 B4
- CN818 B6 C 819 D6
- CN820 B6 C 821 F4
- CN822 B4 C 823 F5
- CN824 B6 C 825 B6
- CN826 F6 C 827 F6
- CN828 B3 C 829 F3
- CN831 F6 C 834 E6
- CN835 F6 C 837 F6
- CN838 D8 C 839 D8
- CN840 C2 C 841 B6
- CN842 D8 C 843 F8
- CN844 E7 C 845 C4
- CN846 C5 C 847 F4
- CN848 F5 D 801 B5
- D802 B8 D 803 F5
- D804 F8 D 805 F6
- D806 C6 D 809 D7
- D810 C9 D 811 D9
- D812 D9 D 813 E9
- I0801 D4 F T801 A5
- PT802 E5 Q 801 B2
- Q802 B2 Q 803 B3
- Q804 D6 Q 805 F4
- Q806 C4 Q 807 C8
- Q808 D8 Q 809 D8
- Q810 E8 R 801 D1
- R802 B2 R 803 B1
- R804 B3 R 805 B3
- R806 B2 R 807 C3
- R808 C1 R 809 C2
- R810 D3 R 811 E2
- R812 D2 R 813 E3
- R814 E3 R 815 D5
- R816 D5 R 817 D6
- R818 F4 R 819 F5
- R820 B4 R 822 B7
- R823 C6 R 824 F8
- R825 D6 R 826 D7
- R827 C7 R 828 B4
- R829 B4 R 830 G7
- R831 G7 R 832 F7
- R833 F4 R 836 A8
- R837 D5 R 841 D7
- R842 D4 R 843 E8
- R846 D8 R 847 D8
- R848 D8 R 849 E8
- R850 D9 R 851 E9
- R852 D9 R 853 C9
- R858 B8 R 860 D7
- R861 B4 R 862 B4
- R863 F4 R 864 F4

NOTE: DIMMING → PWM 3.3V  
 O/P: 7.0mA (Max)  
 3.8mA (Min)

PWPC942MR1P 4 LAMP INVERTER

CP NR. CL6xxxx	
Title 190CW7 POWER BOARD (INVERTER)	
Size A3	Document Number T960N08WPPHN (71561899-1)
Date Aug 11, 2006	Sheet 2 of 2