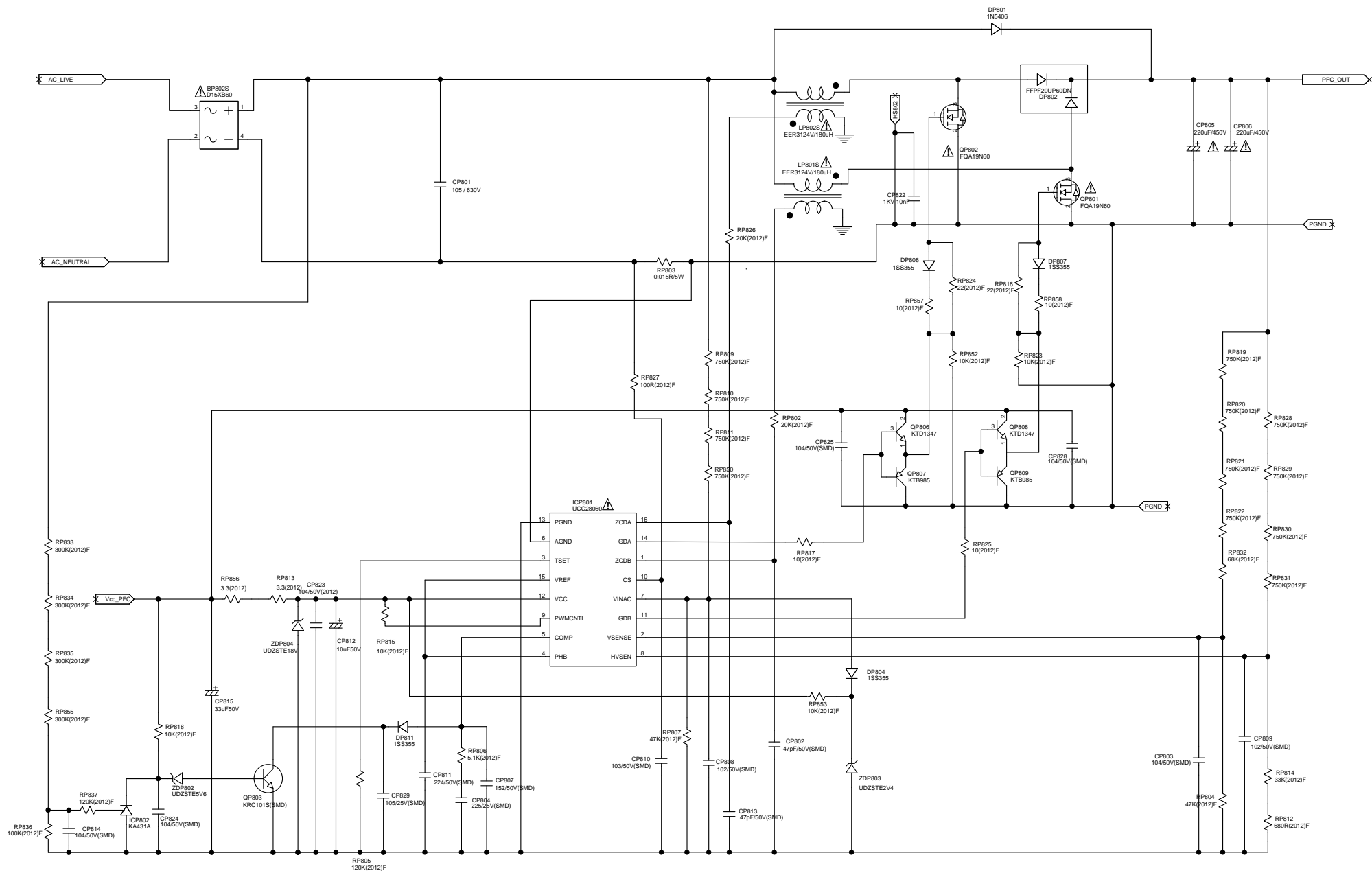
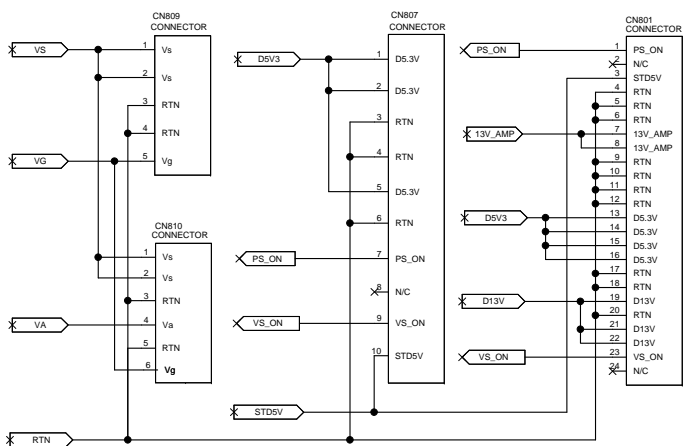
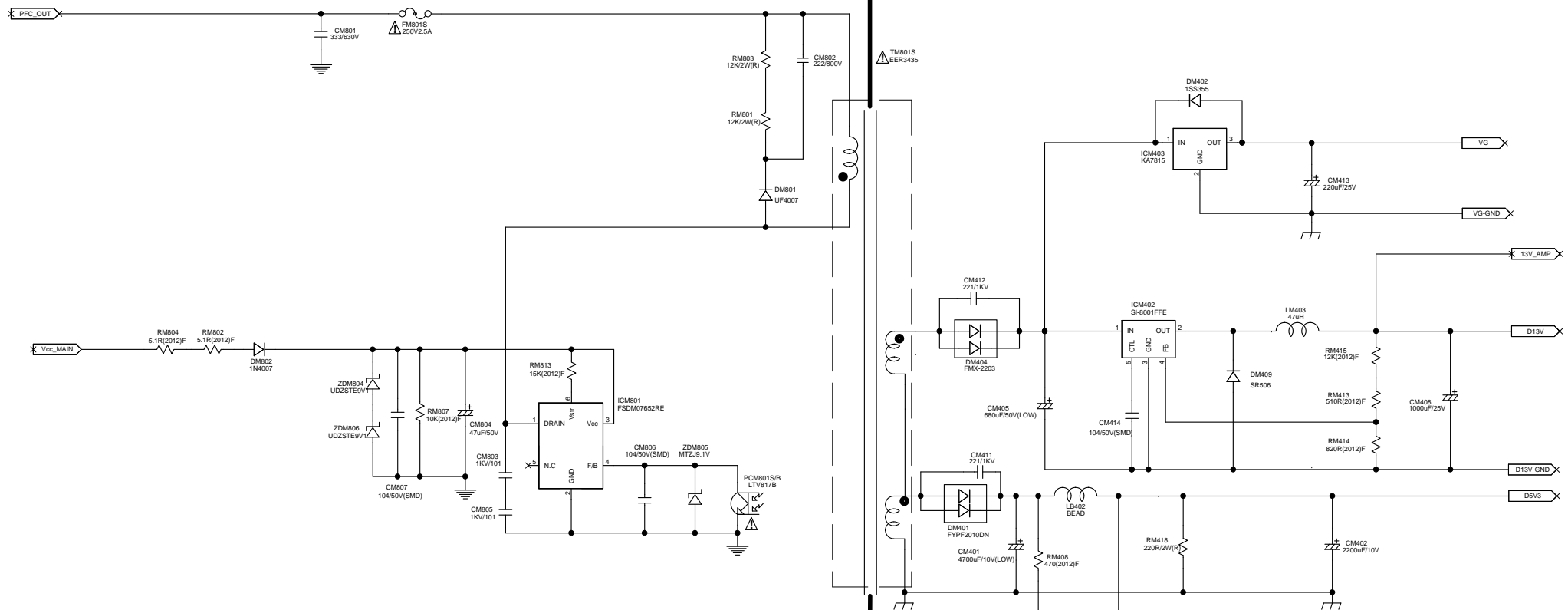


HOT  
COLD

Title		DYP-42W3 (Stand-By)		note1	DONG YANG E & P
Size		A3	No. docno.	note2	
File		DYP-42W3_STB_STR8159.schfile		note3	
Date		2008-06-10		note4	
Time		8:28:00		note5	
Rev.		1.1		1 of 4	



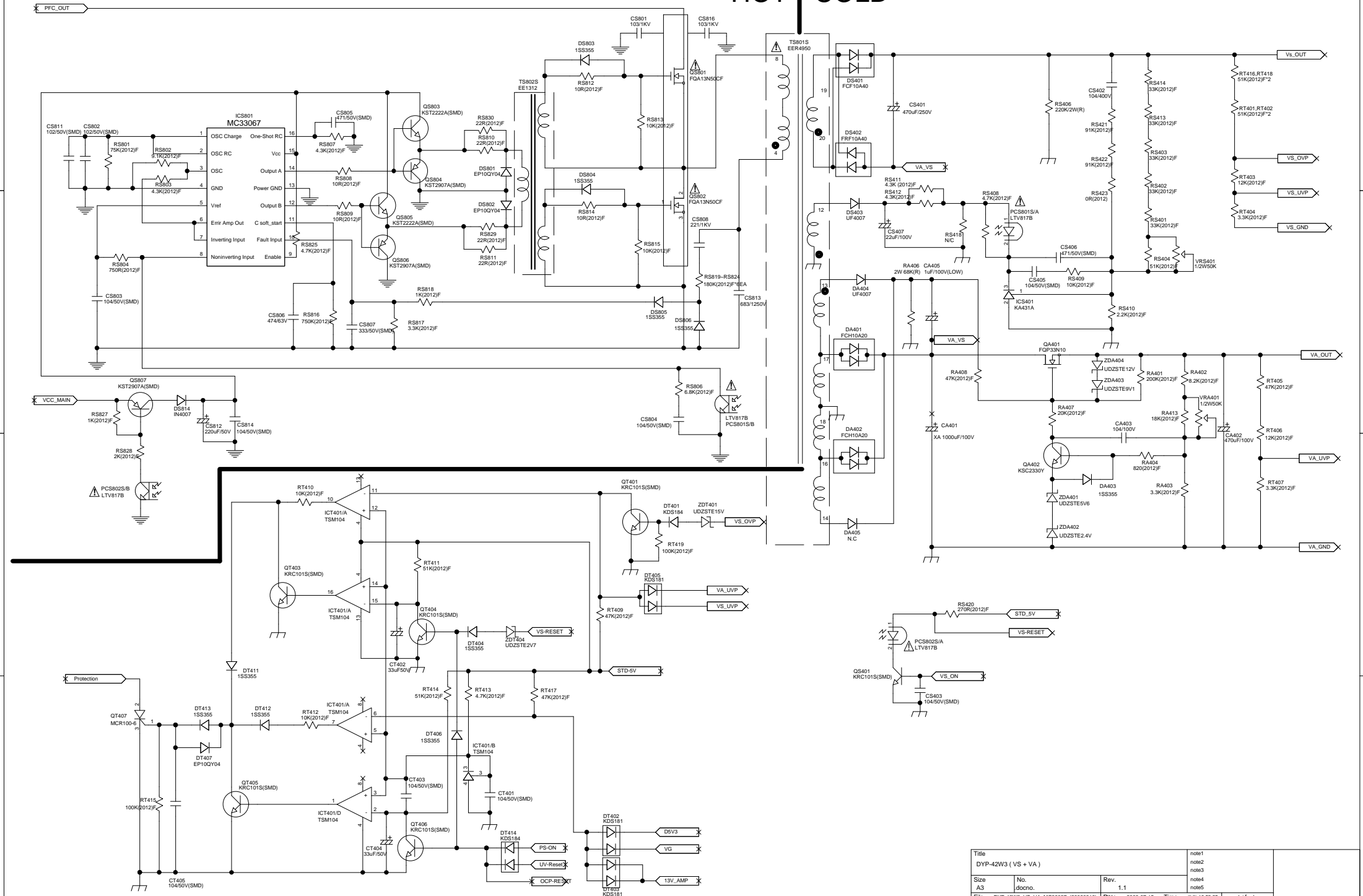
Title		DYP-42W3 ( PFC )		note1	DONG YANG E&P
Size	No.	Rev.	1.1	note2	
A3	.docno.	Date	2008-06-10	note3	
File	DYP-42W3_PFC_UCC28060.schfile	Time	2008-06-10 8:55:02	note4	
				note5	
				2 of 4	



Title DYP-42W3(Vmulti)		note1	DONG YANG E & P
Size A4	No. docno.	note2	
Rev. 1.1	Date 2008-06-10	note3	
File DYP-W3_VM_FSDM07652RE.schfile	Time 8:37:18	note4	
	3 of 4	note5	

# VS(MC33067)+VA(DROP)

HOT COLD



Title		DYP-42W3 ( VS + VA )		note1
Size		No.	Rev.	note2
A3	docno.	1.1		note3
File		DYP-42W3_VS+VA_MC33067_(20080610).4	Date	note4
		2008-07-15	Time	note5
		2008-07-15	4 of 4	