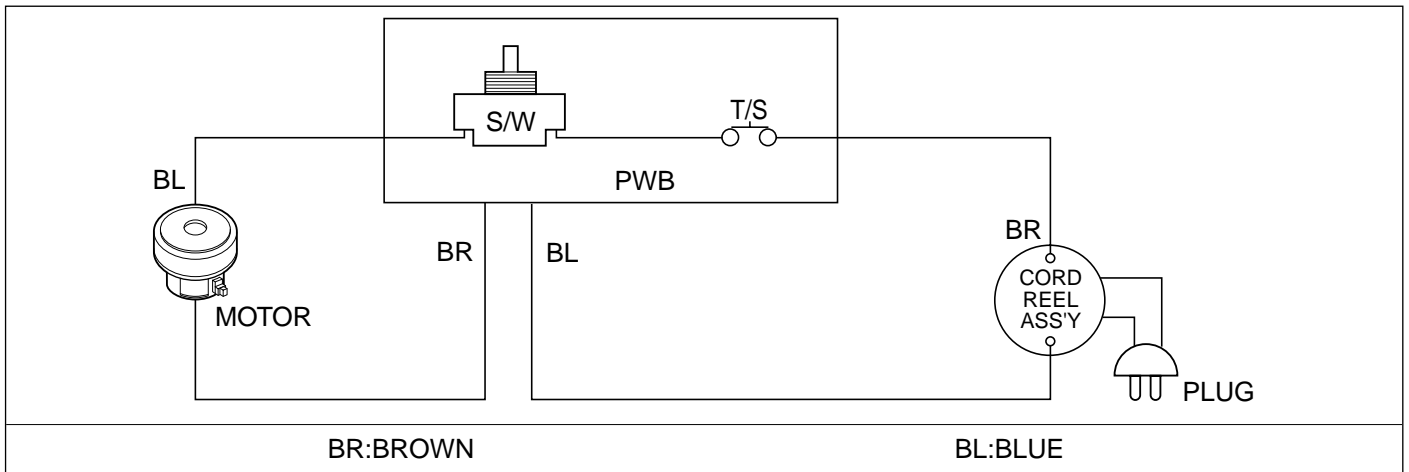
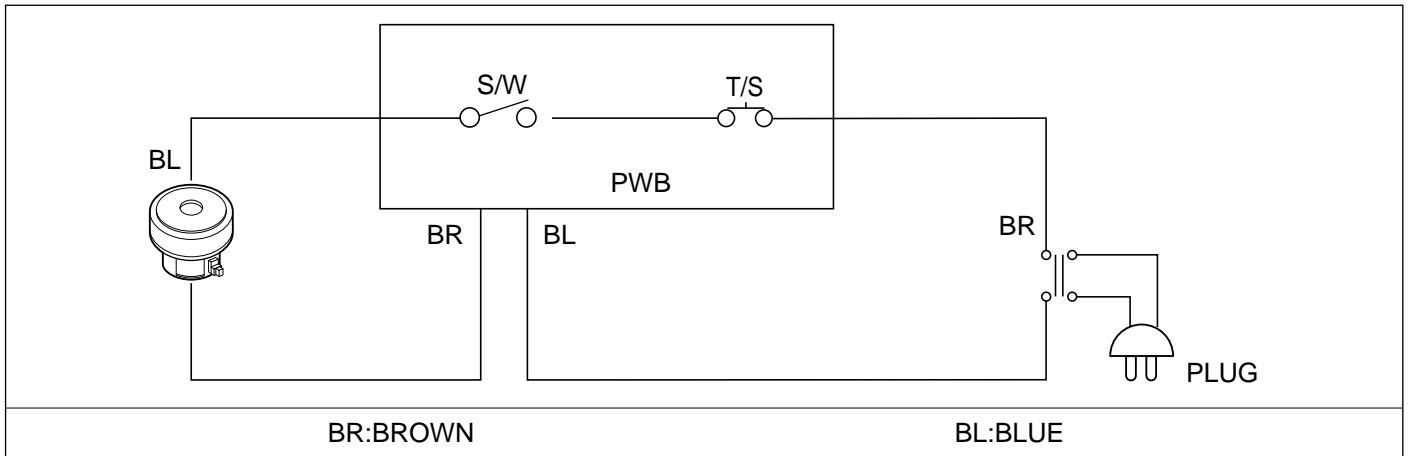


BLOCK DIAGRAM

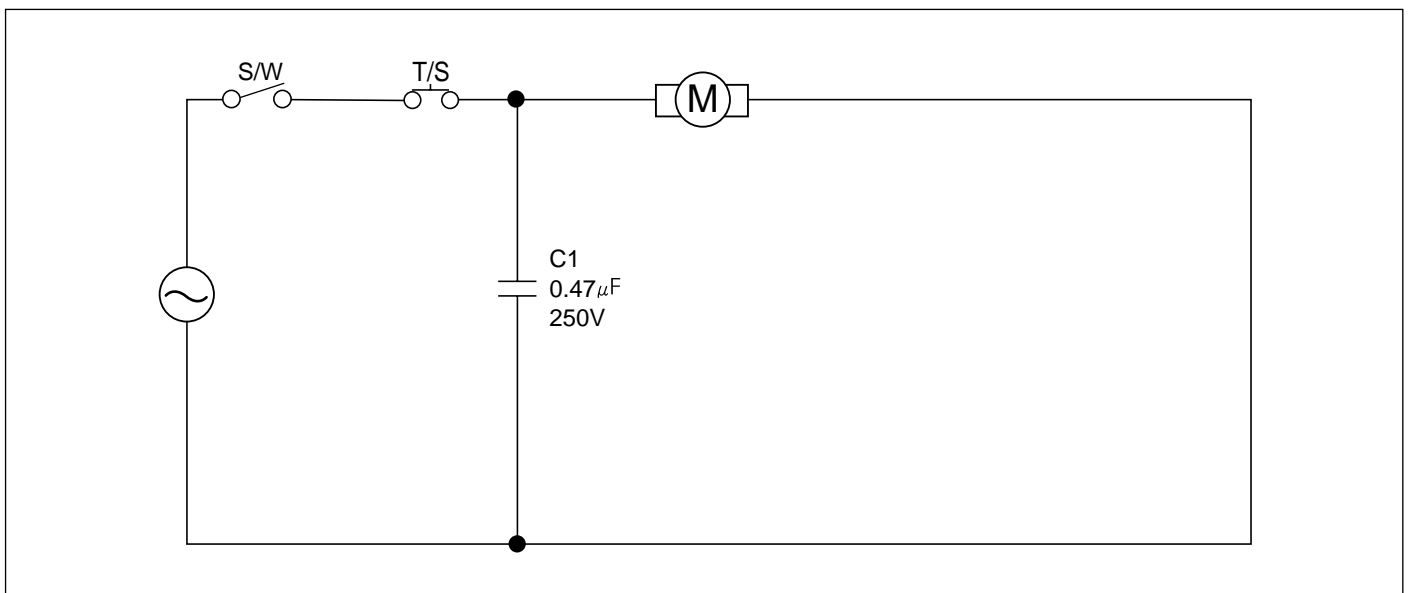
V-C3850ND/NT/NDV/NTV
V-C3852ND/NT/NDV/NTV



SCHEMATIC DIAGRAM

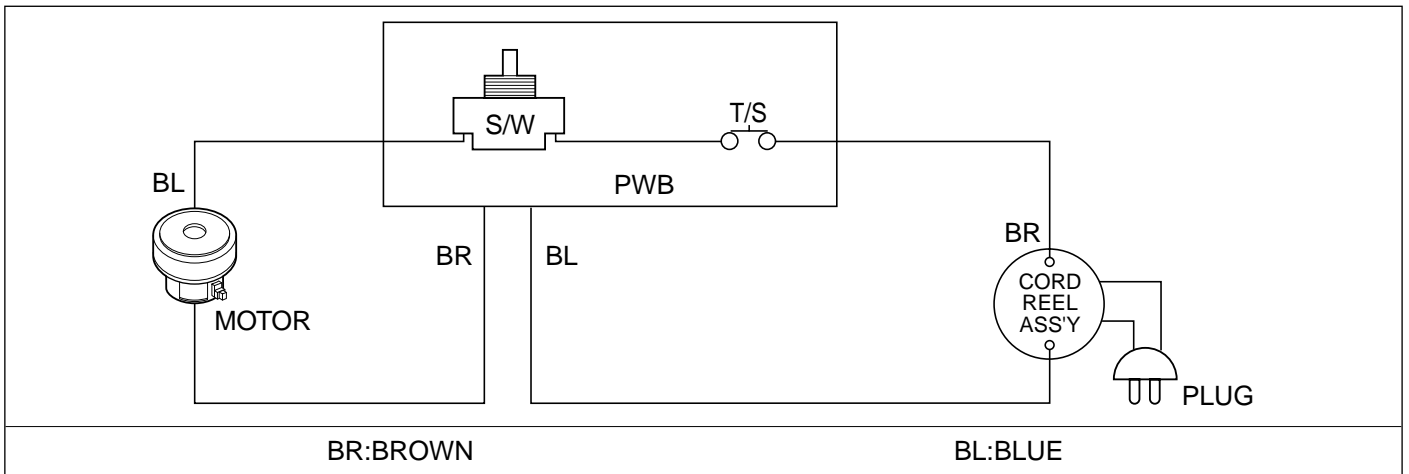


CIRCUIT DIAGRAM

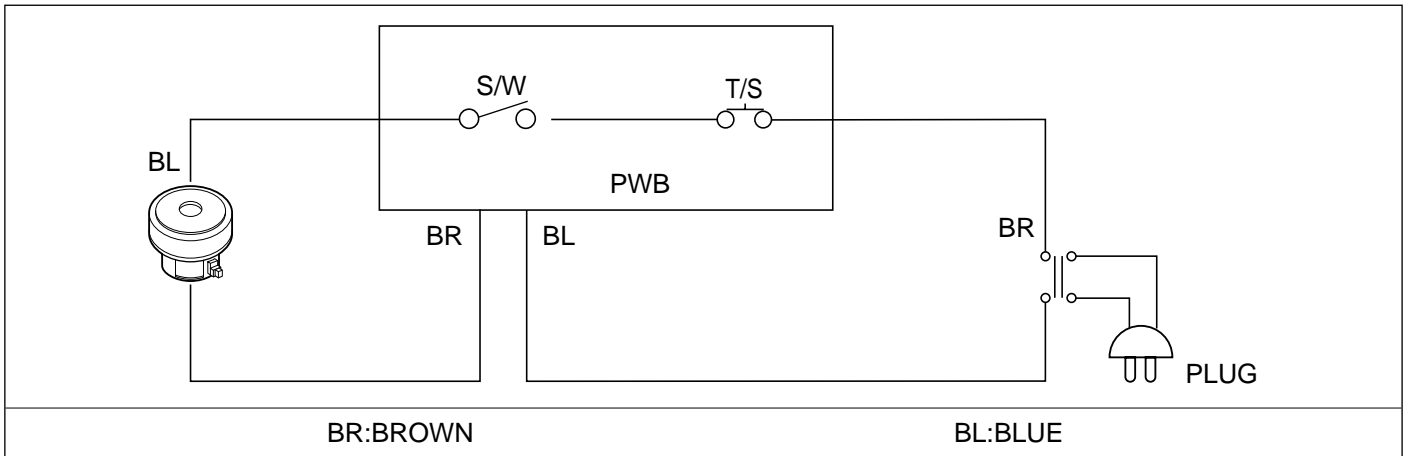


BLOCK DIAGRAM

V-C3850RD/RT/RDV/RTV V-C3854RTV
V-C3852RD/RT/RDV/RTV V-C3860RD/RT/RDV/RTV



SCHEMATIC DIAGRAM



CIRCUIT DIAGRAM

