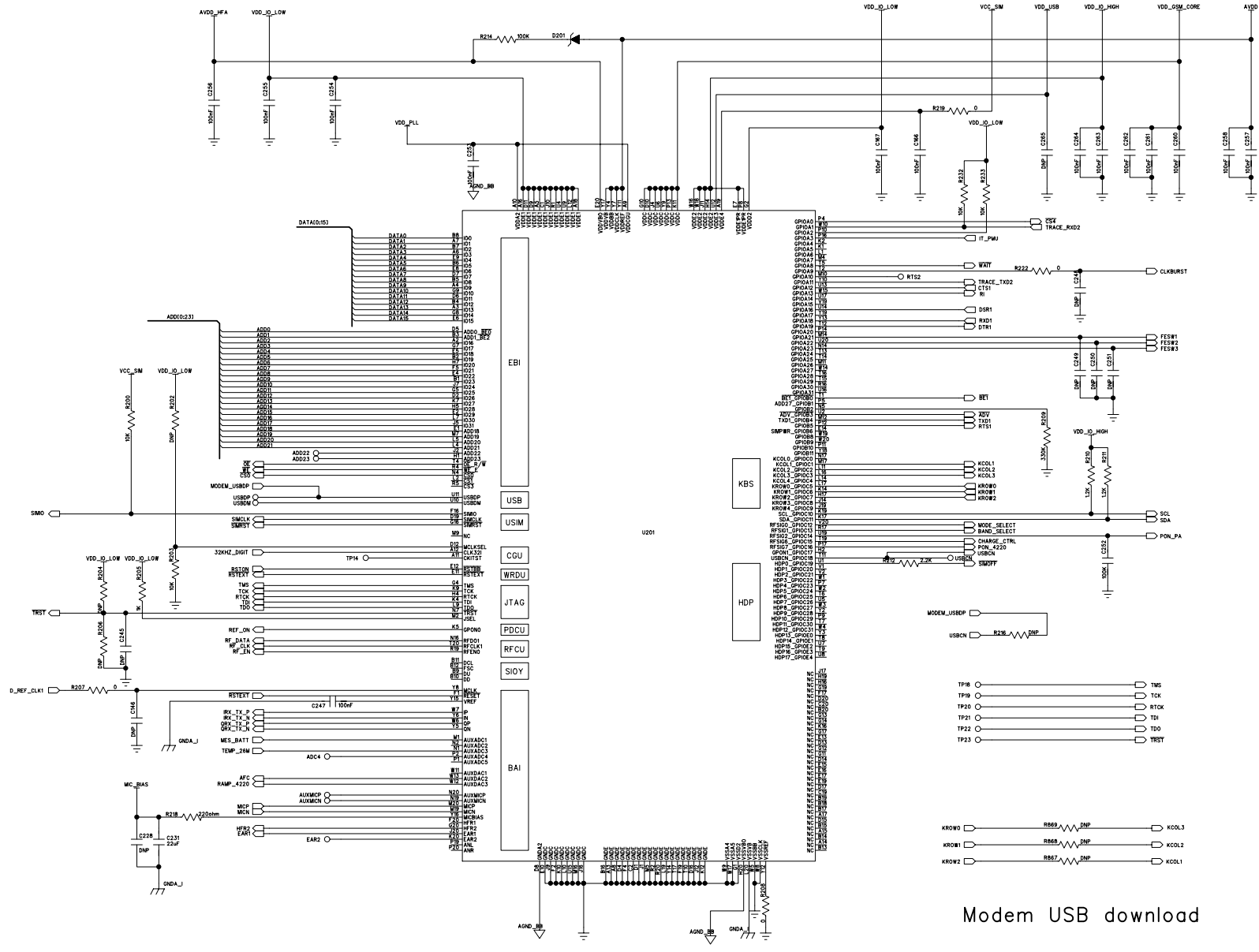


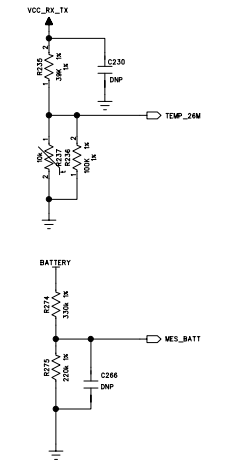
REVISION RECORD			
LTN	ECO NO.	APPROVED	DATE

DRAWN		DATE		COMPANY: Omnitronics			
CHECKED		DATE		TITLE: GSM_MP			
QUALITY CONTROL		DATE		CODE:	SIZE:	DRAWING NO:	REV:
RELEASED		DATE		SCALE:	SHEET: 0F		

REVISION RECORD			
LTR	ECO NO:	APPROVED:	DATE

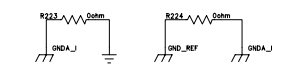


CLOSE TO 26M CRYSTAL



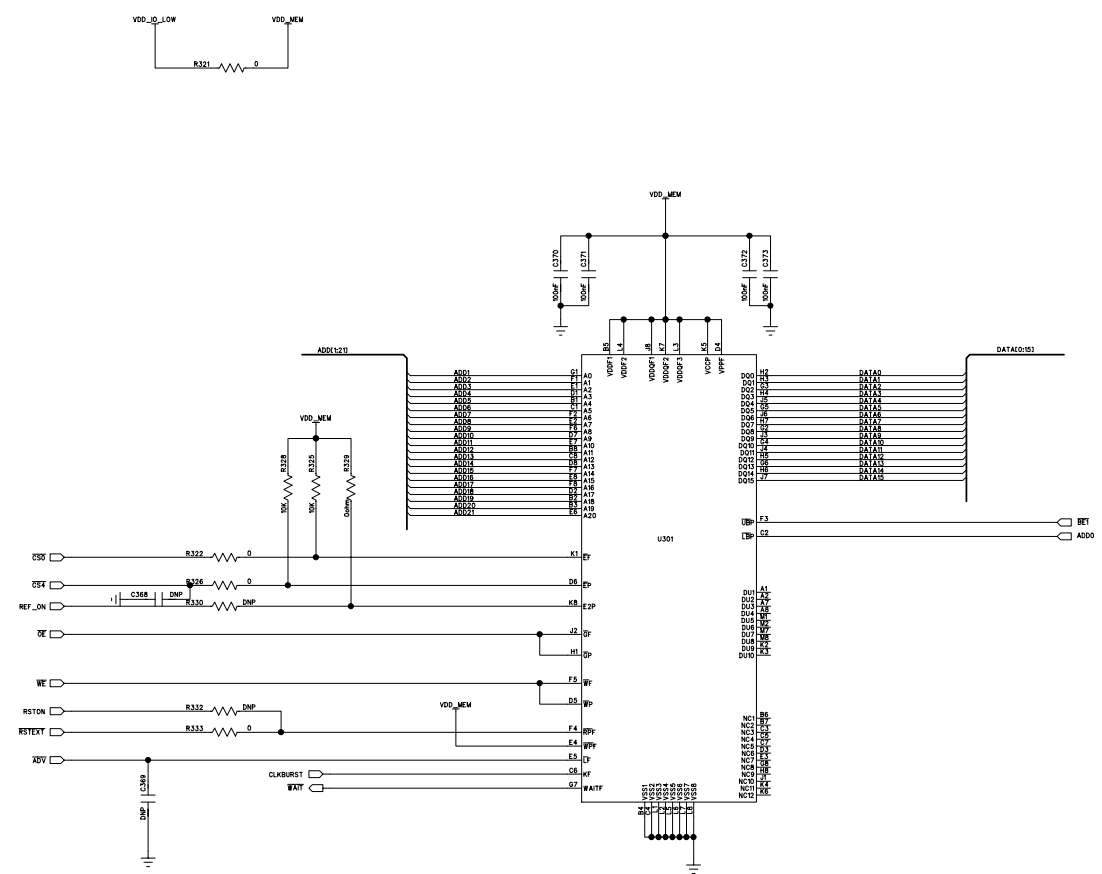
Modem USB download

AGND_BB must be directly connected to main ground by private VIA



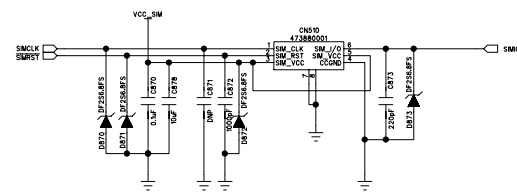
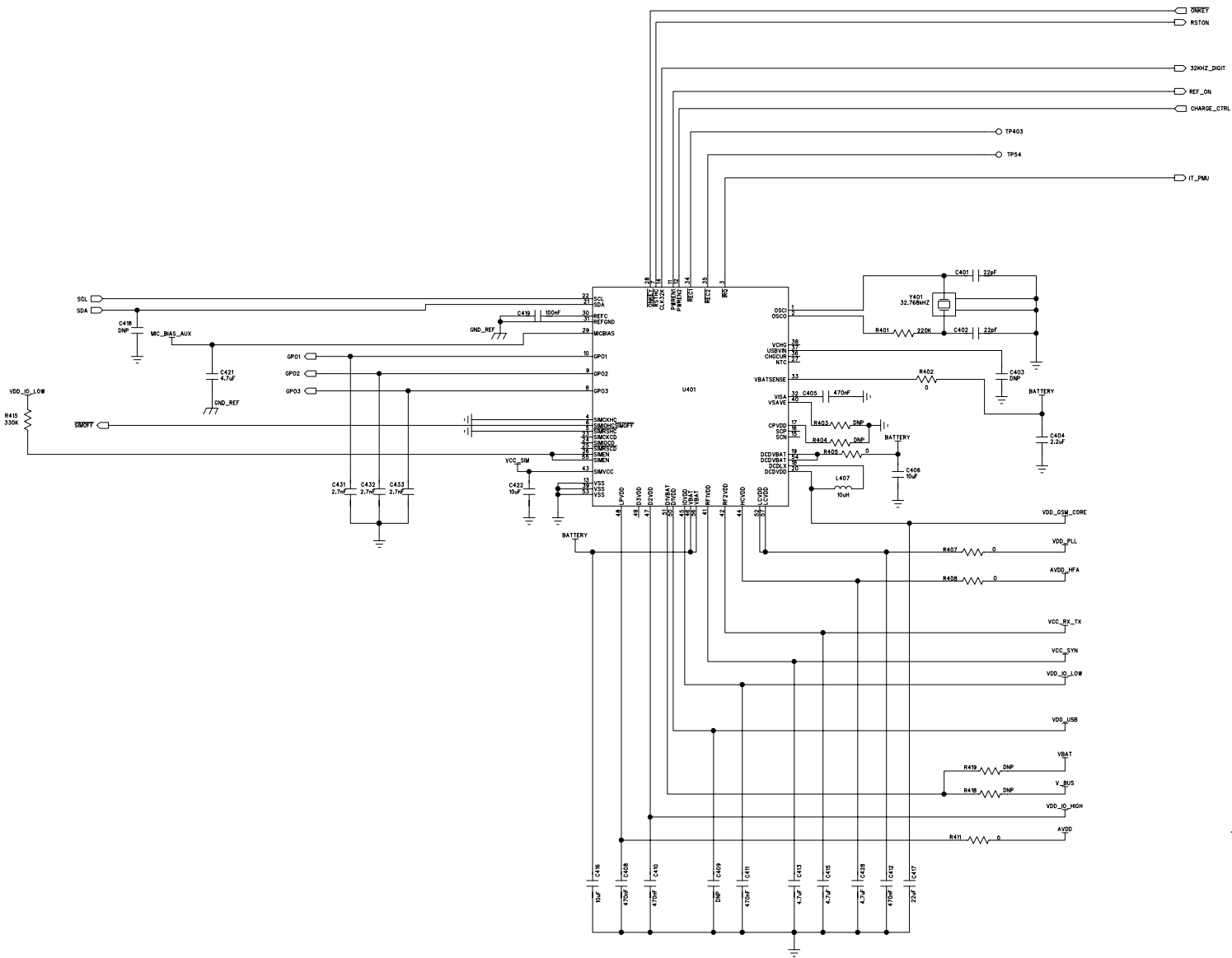
DRAWN:		DATED:		COMPANY:	
CHECKED:		DATED:		TITLE:	
QUALITY CONTROL:		DATED:		CODE:	SIZE:
RELEASED:		DATED:		DRAWING NO:	
				REV:	
				SCALE:	
				SHEET: OF	

REVISION RECORD			
LTR	ECO NO:	APPROVED:	DATE



DRAWN:		DATED:		COMPANY:			
CHECKED:		DATED:		TITLE:			
QUALITY CONTROL:		DATED:		CODE:	SIZE:	DRAWING NO:	REV:
RELEASED:		DATED:		SCALE:			SHEET: OF

REVISION RECORD			
LTR	ECO NO:	APPROVED:	DATE



Tab

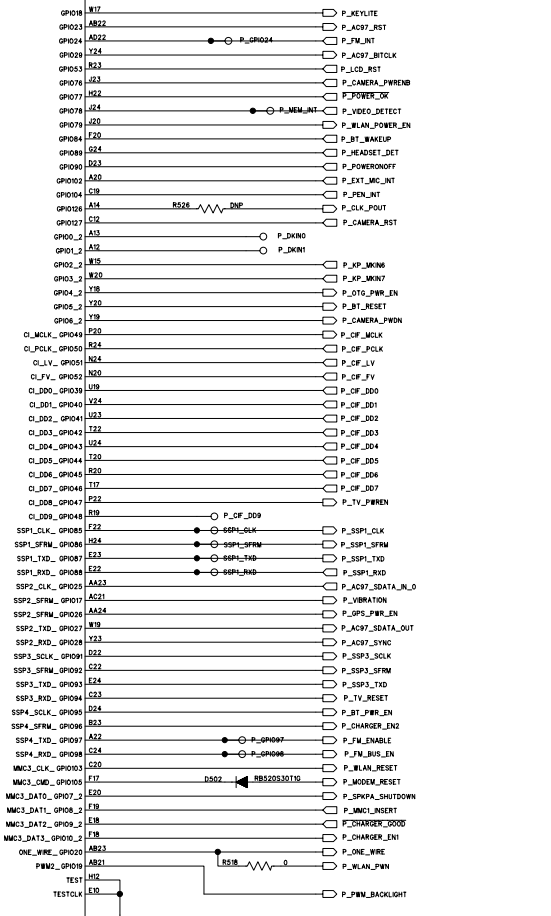
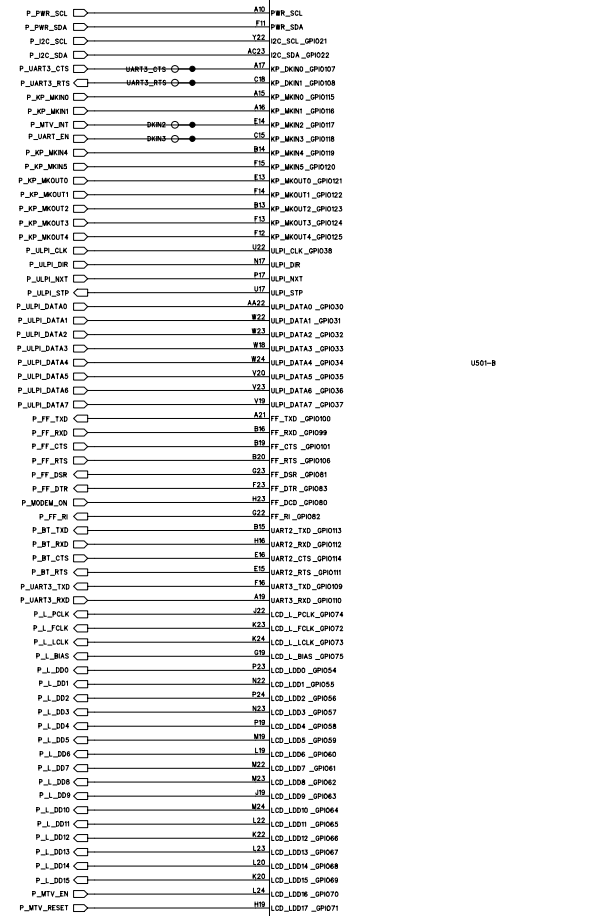
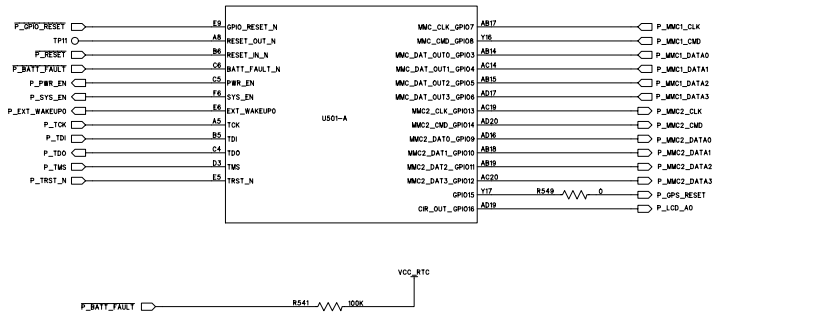
PCF50611		
BB	SUPPLY	Typical Value
BB	VDD_IO_HIGH	2.9V
	VDD_GSM_CORE	1.25V
	AVDD	1.8V
	AVDD_HFA	2.6V
	VDD_PLL	2.6V
	VDD_USB	1.2V
RF	VCC_RX_TX	3.3V
	VCC_SYN	2.8V

Table: in case of use of all power supplies, customer has to check thermal capability of PCF50611 in its application

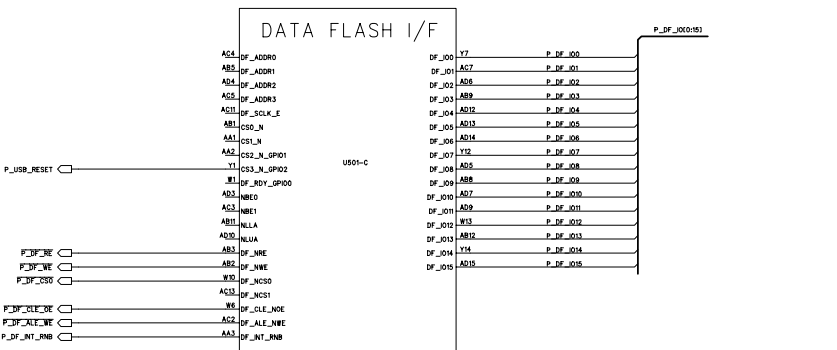


DRAWN:		DATED:		COMPANY: Smartwires			
CHECKED:		DATED:		TITLE: GSM_PMU			
QUALITY CONTROL:	DATED:	CODE:	SIZE:	DRAWING NO:	REV:		
RELEASED:	DATED:	SCALE:	SHEET: OF				

REVISION RECORD			
LTR	ECO NO:	APPROVED:	DATE

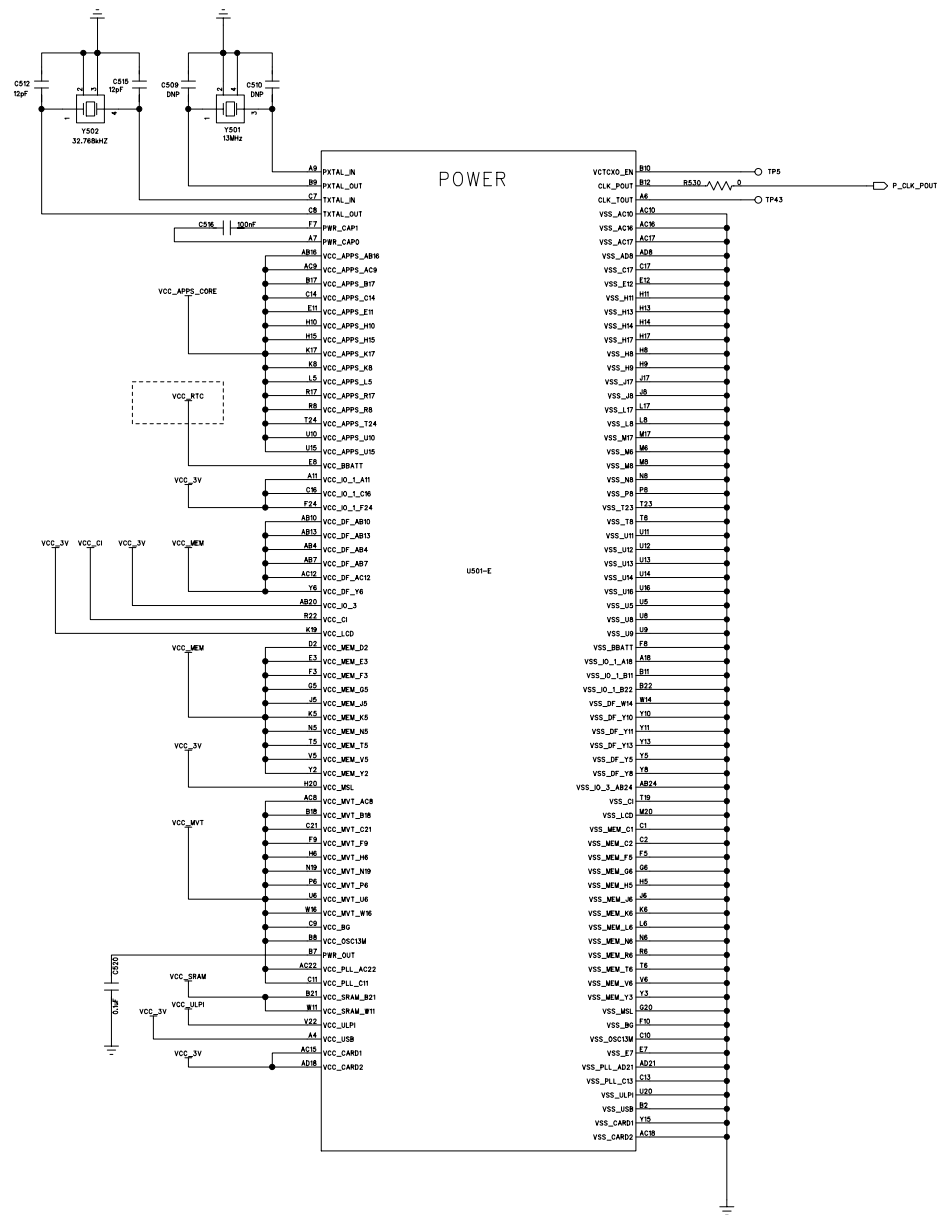


MONAHANS DATA FLASH INTERFACE

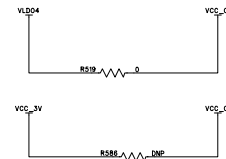
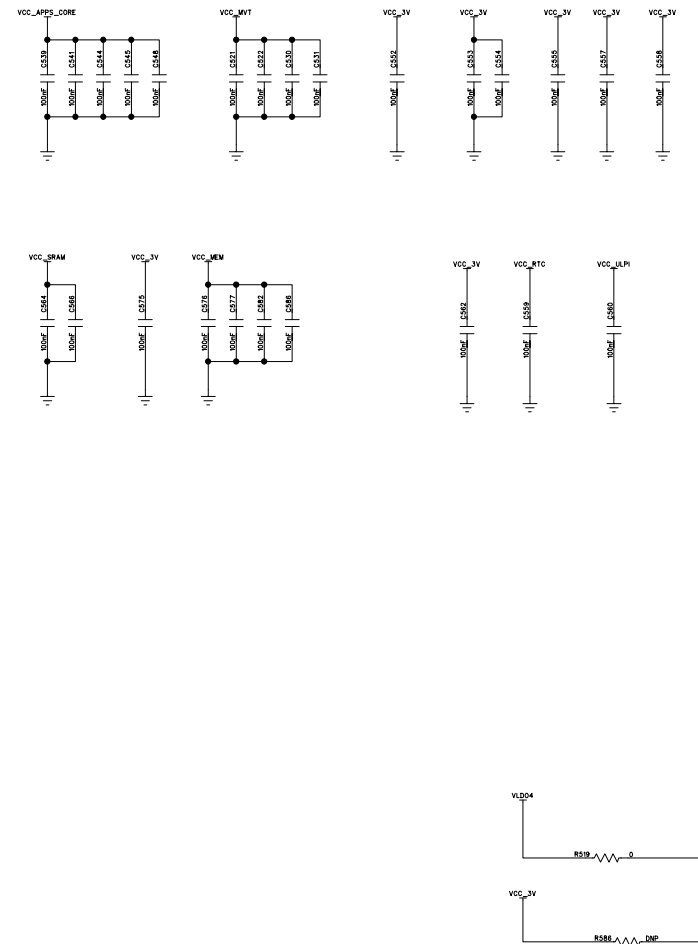


DRAWN:		DATED:		COMPANY:	
CHECKED:		DATED:		TITLE:	
QUALITY CONTROL:		DATED:		CODE:	SIZE:
RELEASED:		DATED:		DRAWING NO:	REV:
SCALE:				SHEET: OF	

REVISION RECORD			
LTR	ECO NO:	APPROVED:	DATE

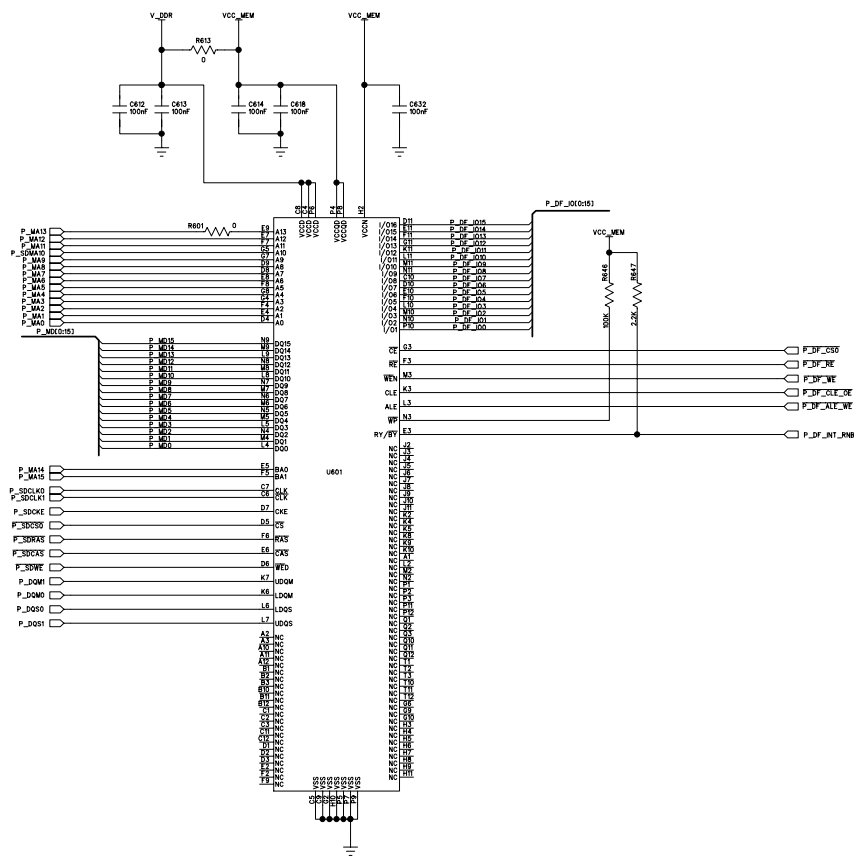


MOMAHAMS DECOUPLING



COMPANY:			
TITLE:			
DRAWN:	DATED:	CODE:	SIZE:
CHECKED:	DATED:	DRAWING NO:	REV:
QUALITY CONTROL:	DATED:		
RELEASED:	DATED:	SCALE:	SHEET: OF

REVISION RECORD			
LTR	ECO NO:	APPROVED:	DATE



COMPANY:				
TITLE:				
DRAWN:	DATED:	CODE:	SIZE:	DRAWING NO:
CHECKED:	DATED:			REV:
QUALITY CONTROL:	DATED:			
RELEASED:	DATED:	SCALE:	SHEET: OF	

REVISION RECORD			
LTR	ECO NO:	APPROVED:	DATE:

D

C

B

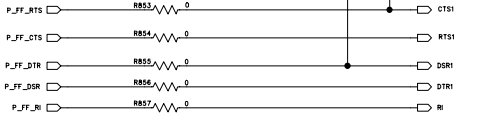
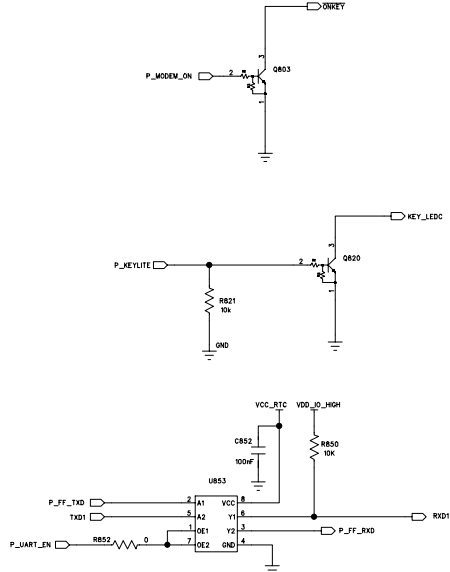
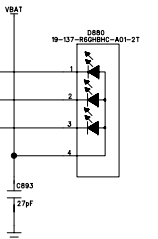
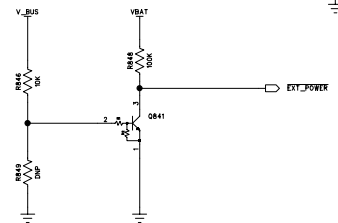
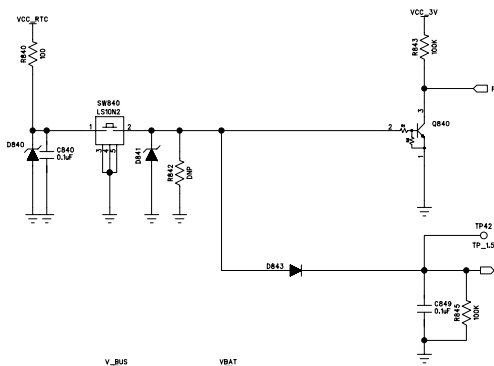
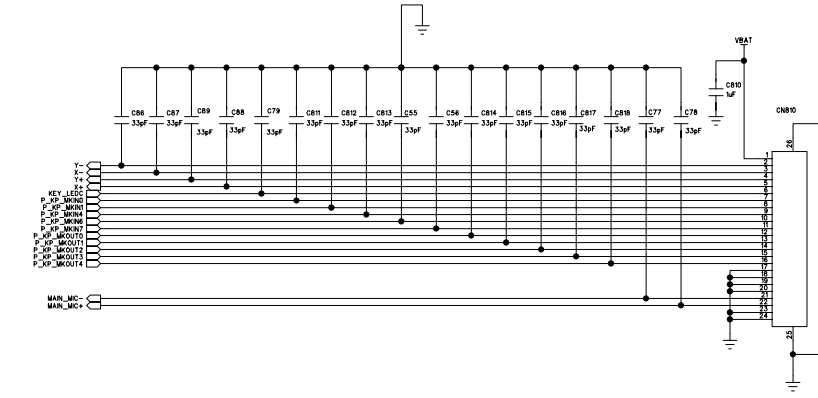
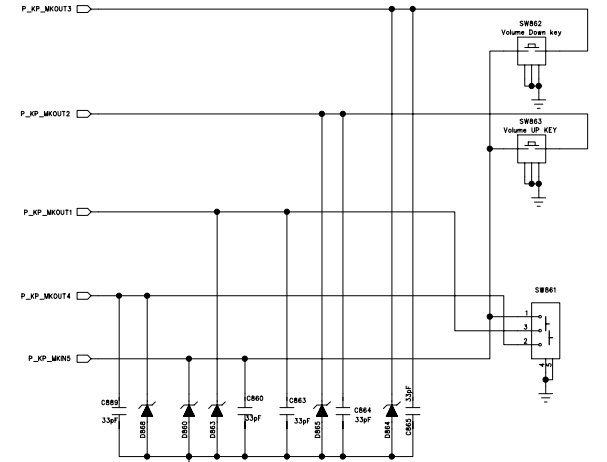
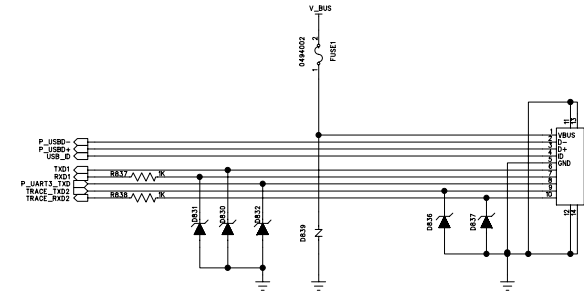
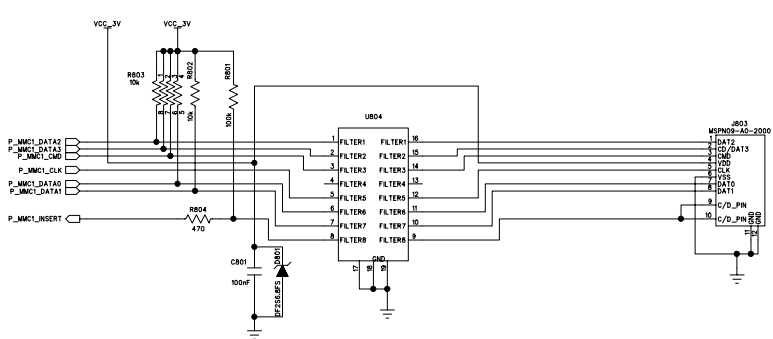
A

D

C

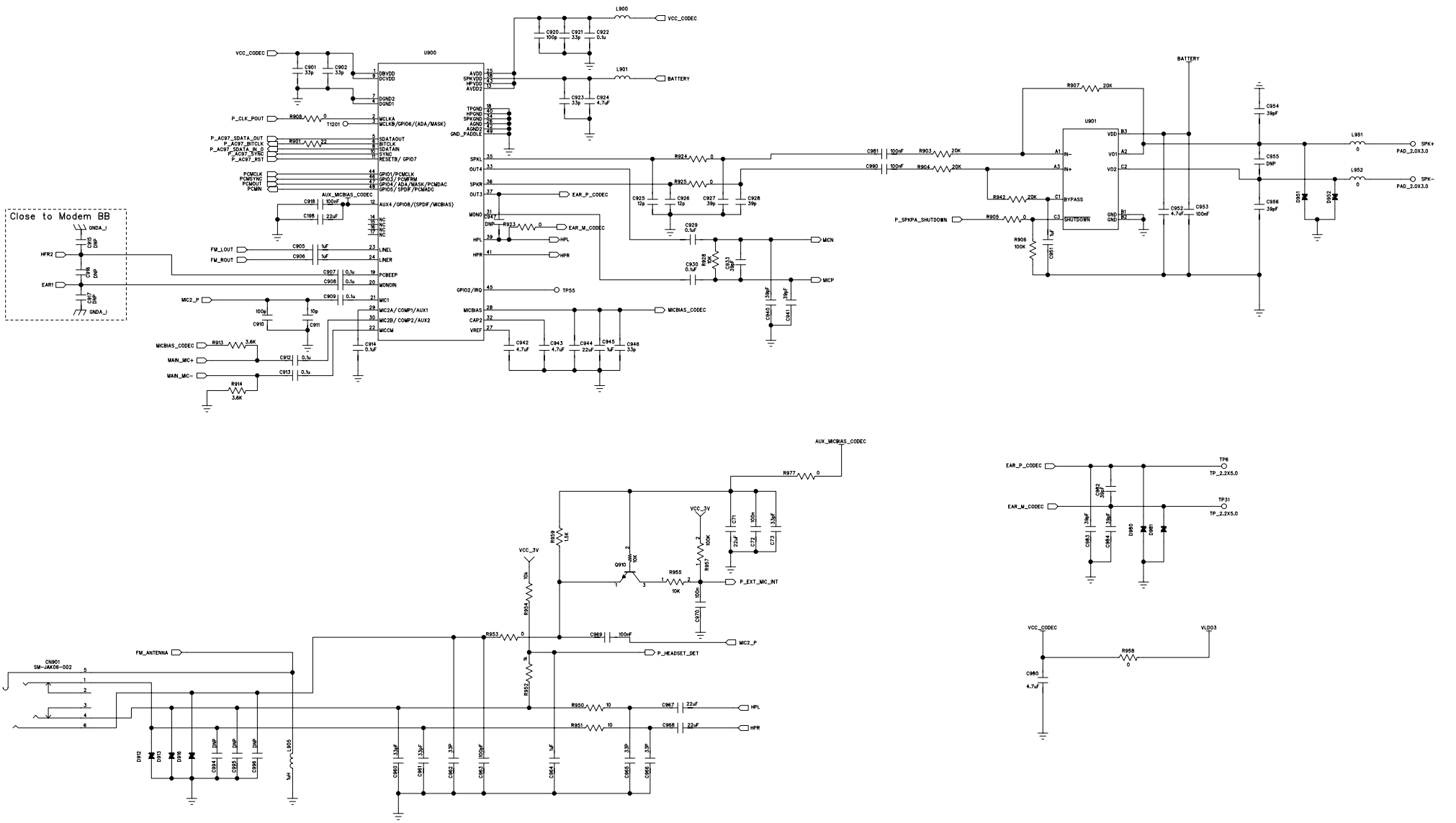
B

A



COMPANY:					
TITLE:					
DRAWN:	DATED:	CODE:	SIZE:	DRAWING NO:	REV:
CHECKED:	DATED:				
QUALITY CONTROL:	DATED:				
RELEASED:	DATED:	SCALE:		SHEET:	OF

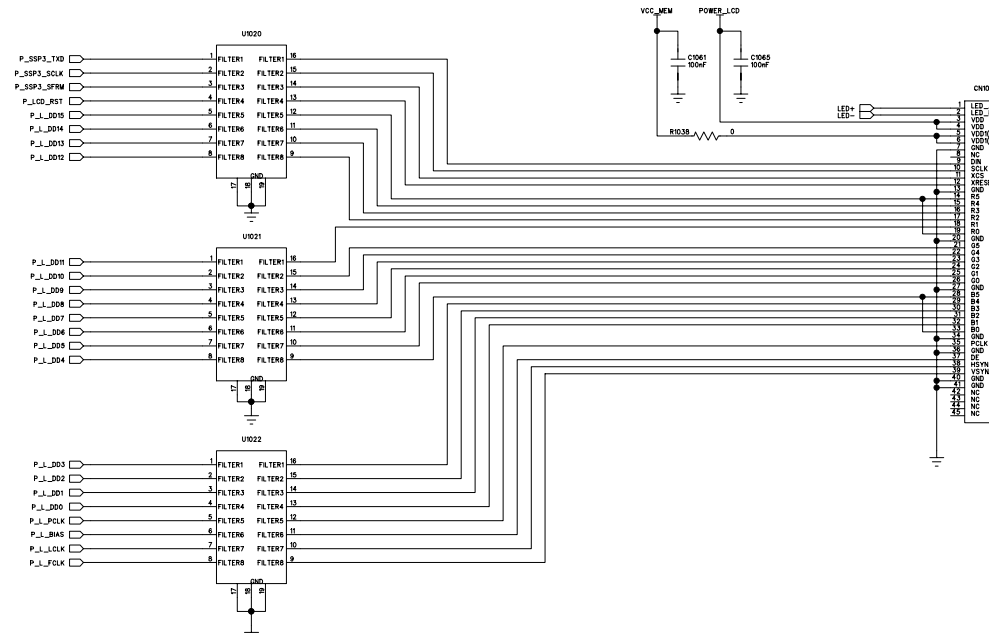
REVISION RECORD			
LTR	ECO NO:	APPROVED:	DATE



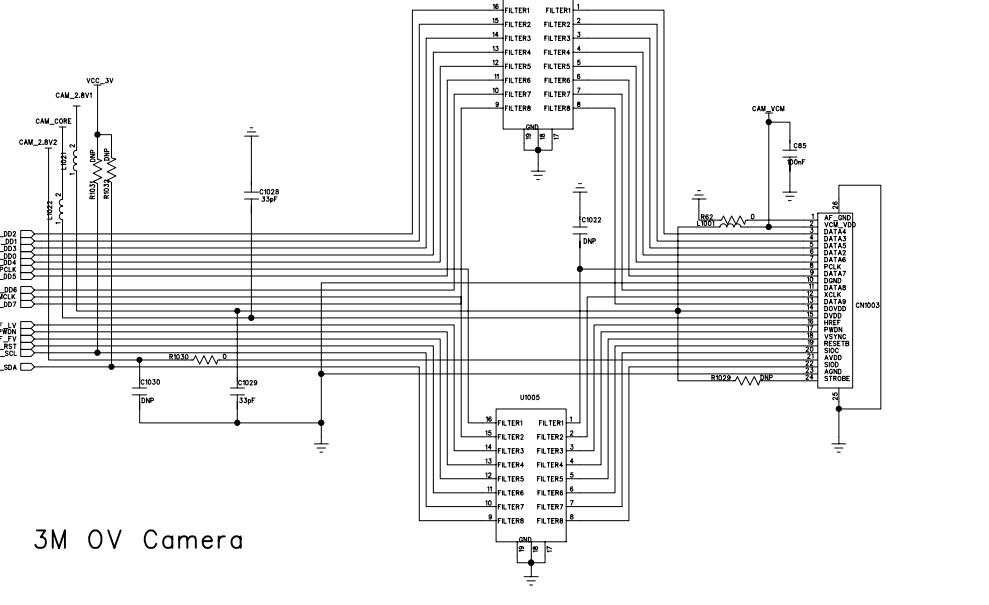
CODEC POWER

COMPANY:					
TITLE:					
DRAWN:	DATED:	CODE:	SIZE:	DRAWING NO:	REV:
CHECKED:	DATED:				
QUALITY CONTROL:	DATED:				
RELEASED:	DATED:	SCALE:		SHEET:	OF

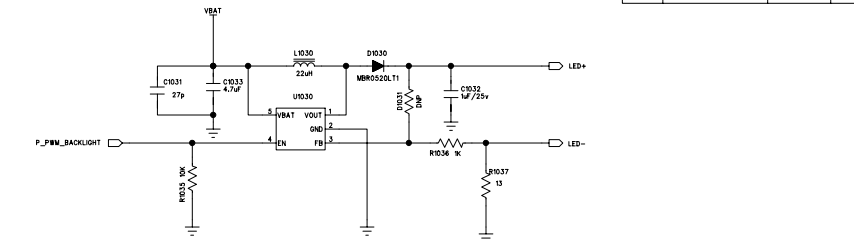
REVISION RECORD			
LTR	ECC NO:	APPROVED:	DATE



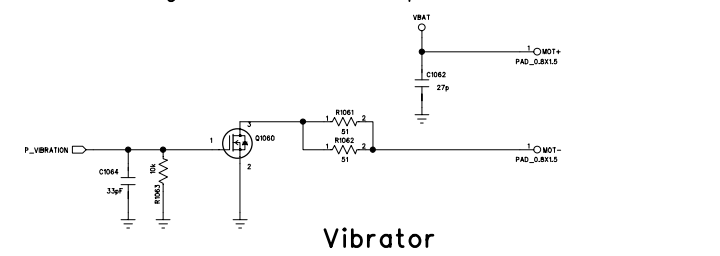
EPSON VGA LCD



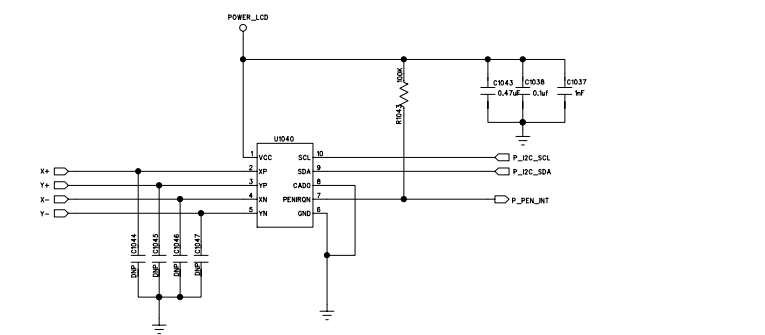
3M OV Camera



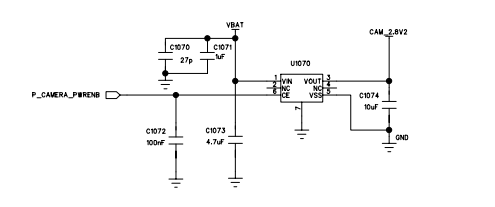
LCD Backlight Driver For Epson



Vibrator



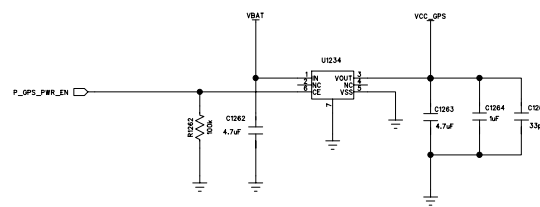
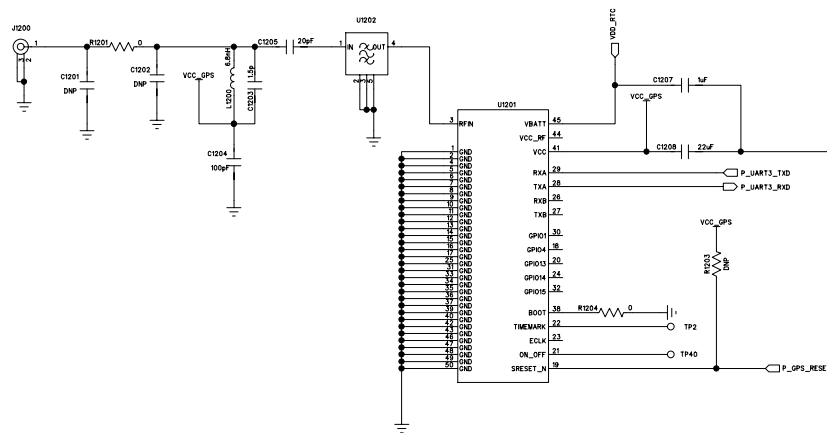
Camera 1.5V & 2.8V LDO



Camera 2.8V LDO

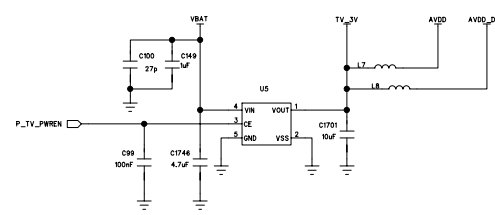
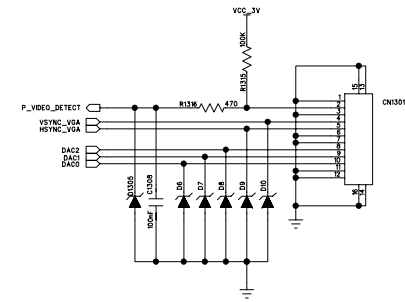
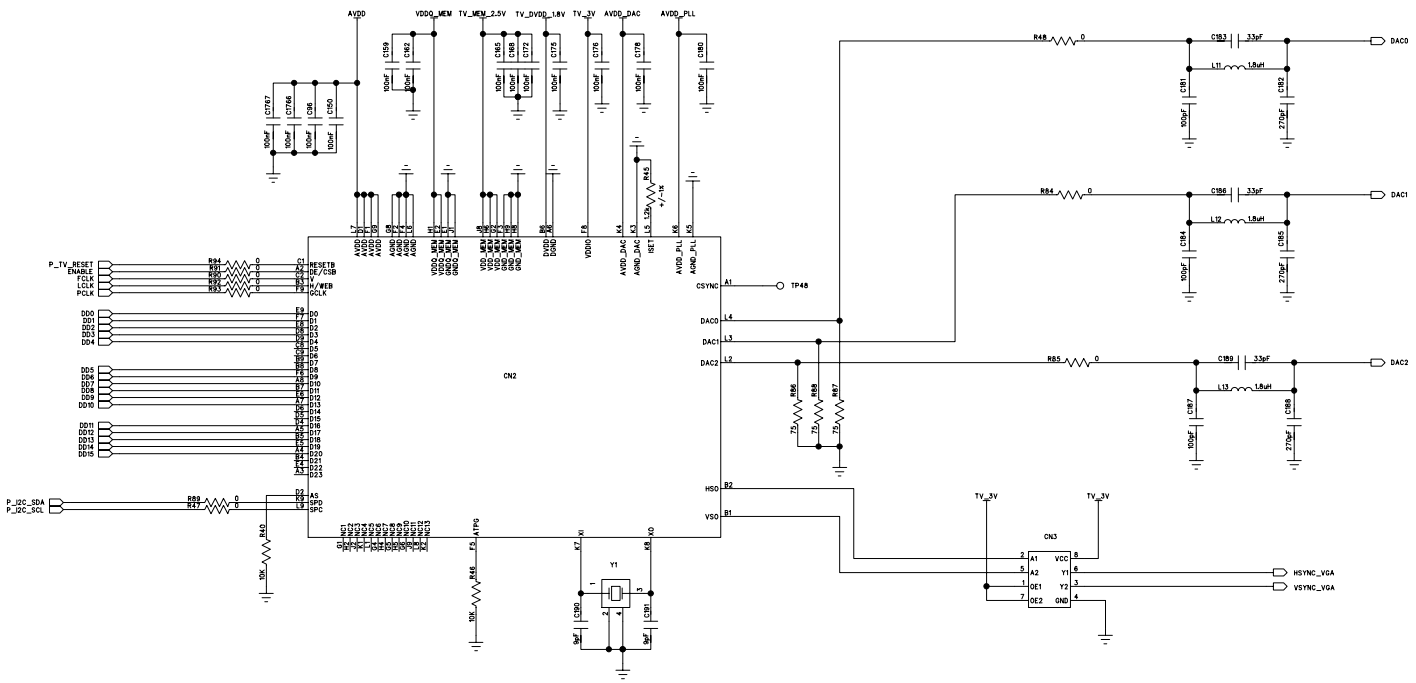
DRAWN:		DATED:		COMPANY: Smart Wireless	
CHECKED:		DATED:		TITLE:	
QUALITY CONTROL:		DATED:		CODE:	SIZE:
RELEASED:		DATED:		DRAWING NO:	REV:
SCALE:				SHEET: OF	

REVISION RECORD			
LTR	ECO NO:	APPROVED:	DATE

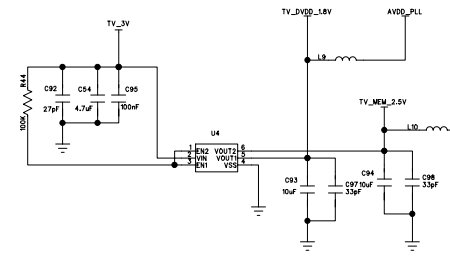


DRAWN:		DATED:		COMPANY:			
CHECKED:		DATED:		TITLE:			
QUALITY CONTROL:		DATED:		CODE:	SIZE:	DRAWING NO:	REV:
RELEASED:		DATED:		SCALE:		SHEET: OF	

REVISION RECORD			
LTR	ECO NO:	APPROVED:	DATE



3.0V LDO



1.8V & 2.5V LDO

DRAWN:	DATED:	COMPANY:			
CHECKED:	DATED:	TITLE:			
QUALITY CONTROL:	DATED:	CODE:	SIZE:	DRAWING NO:	REV:
RELEASED:	DATED:	SCALE:	SHEET:		OF

