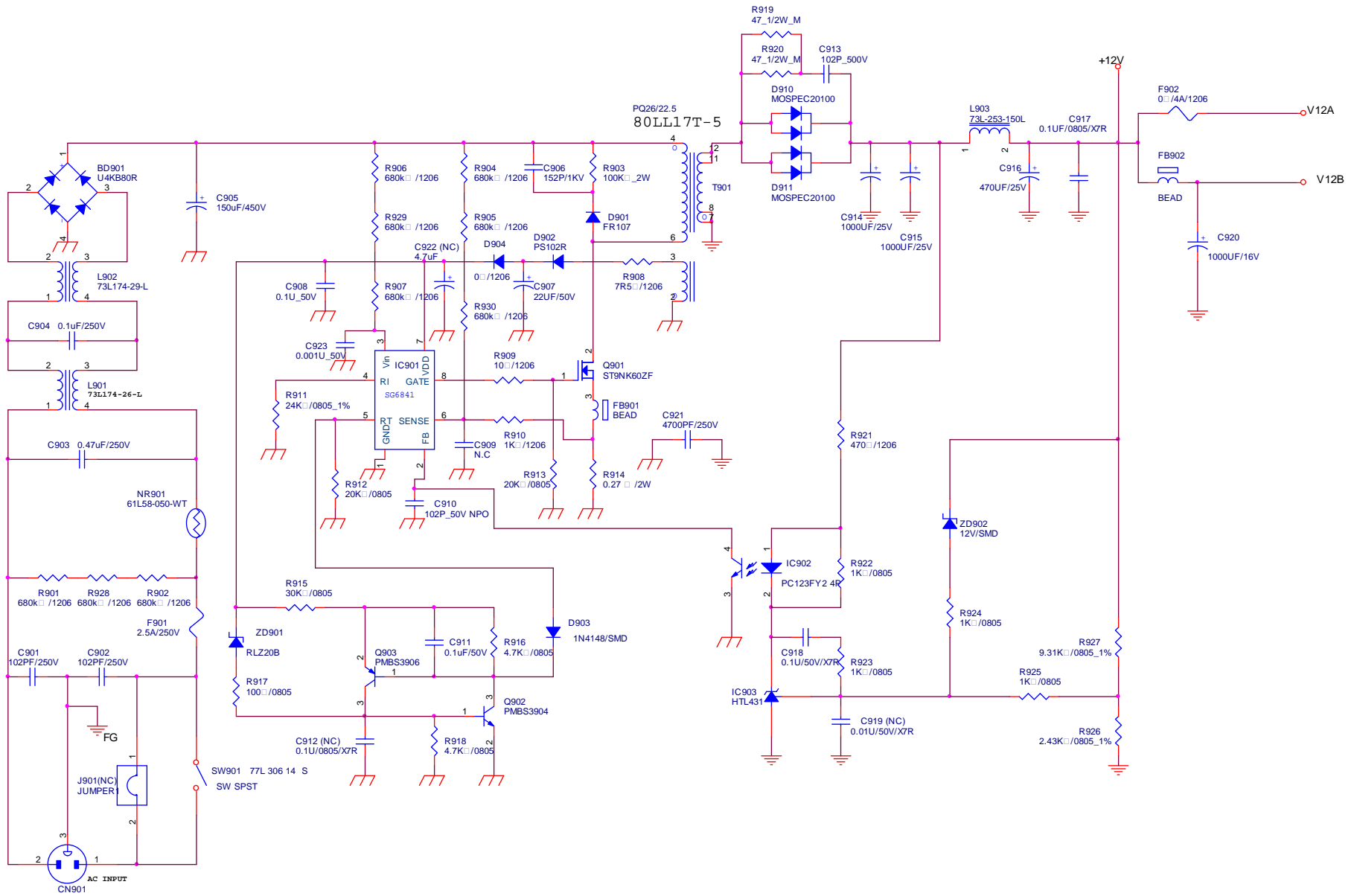


### 6.2 Power Board



AC Input Voltage  
Range: 90ac~264ac