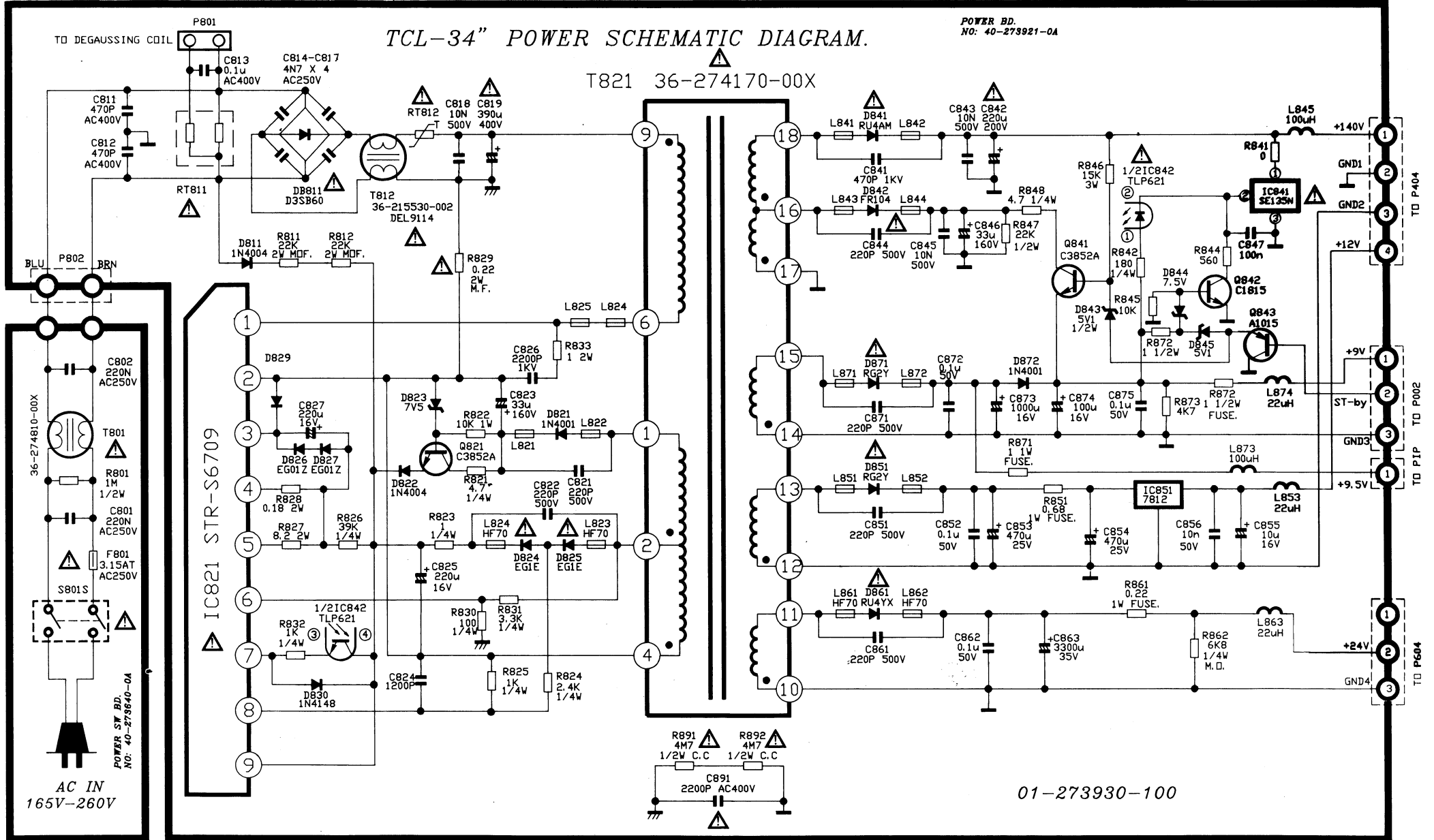


TCL-34" POWER SCHEMATIC DIAGRAM.

POWER BD.  
NO: 40-273921-0A

T821 36-274170-00X



01-273930-100