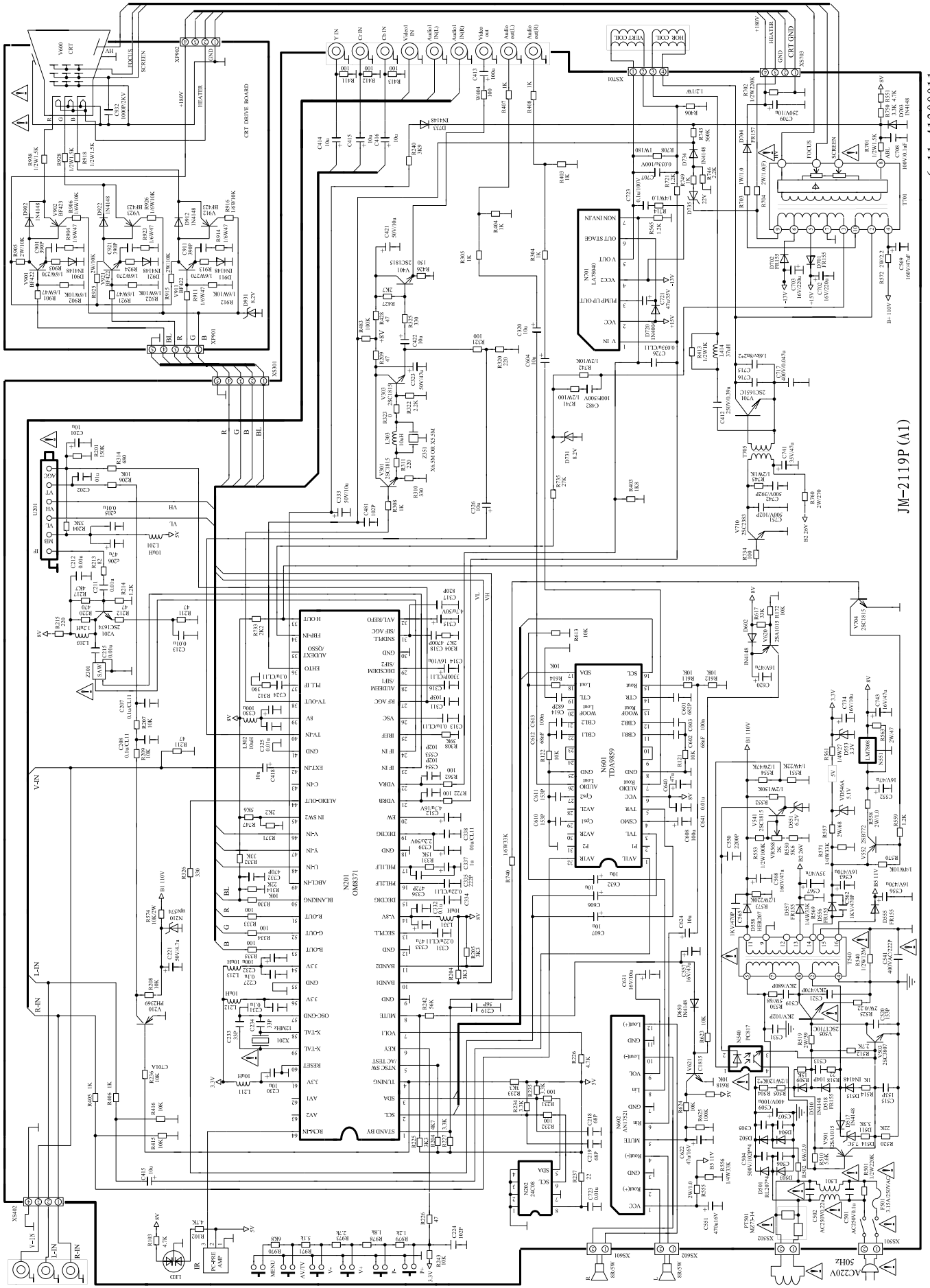


CIRCUIT DIAGRAM FOR PHILIPS (A1)



JM-2119P (A1)