

S.TK7358

Thick Film Hybrid IC

TENTATIVE

Case Outline : 15 pins (See attached drawing.)

Function : Offline Switching Regulator

Use : Color TV power supply

Features : Self oscillation type

Absolute Maximum Ratings at Ta=25°C

			unit
AC Input Voltage	V _{AC}	0 to 280	V _{rms}
Maximum Output Power	W _{omax}	80	W
		(V _{AC} 150 to 280V) 100	W
Operating Temperature	T _{opg}	-10 to +65	°C
Storage Temperature	T _{stg}	-30 to +105	°C
Operating Case Temperature	T _{Cmax}	105	°C
Thermal Resistance	θ _{J-c}	1.6	°C/W
Junction Temperature	T _{jmax}	150	°C

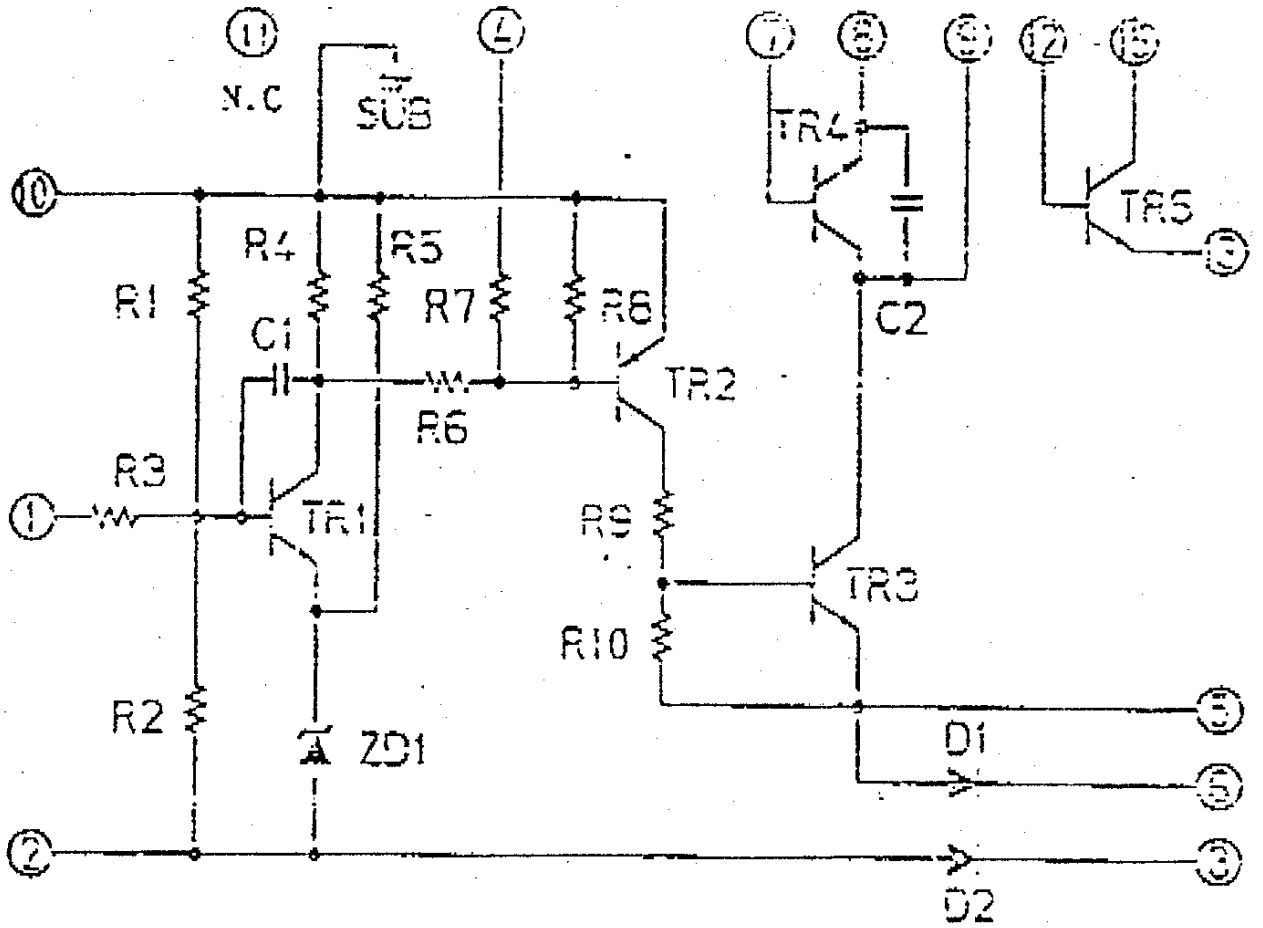
Electrical Characteristics at Ta=25°C, See specified test circuit.

		min	typ	max	unit
Output Voltage Setting	V _{AC} =200V, I _o =0.3A	114	115	116	V
Line Regulation	V _{AC} =85 to 280V, I _o =0.5A		0.4	1.0	V
Load Regulation	V _{AC} =200V, I _o =0.3 to 0.7A		1.0	1.5	V
Input Voltage	V _{AC} =200V, I _o =0.7A		103	106	W
Output Ripple Voltage	V _{AC} =200V, I _o =0.7A		0.4	0.6	V _{pp}
Temperature Coefficient	V _{AC} =200V, I _o =0.7A		7		mV/°C
Light Load Characteristic	V _{AC} =200V, R _L =4.7kohm		125	135	V

These specifications are subject to change without notice.

TOKYO SANYO ELECTRIC CO., LTD. SEMICONDUCTOR DIVISION
15-13, 6-CHOME, SOTOKANDA, CHIYODA-KU, TOKYO 101 JAPAN

Internal Equivalent Circuit (STK7358)



Case Outline

unit:mm

