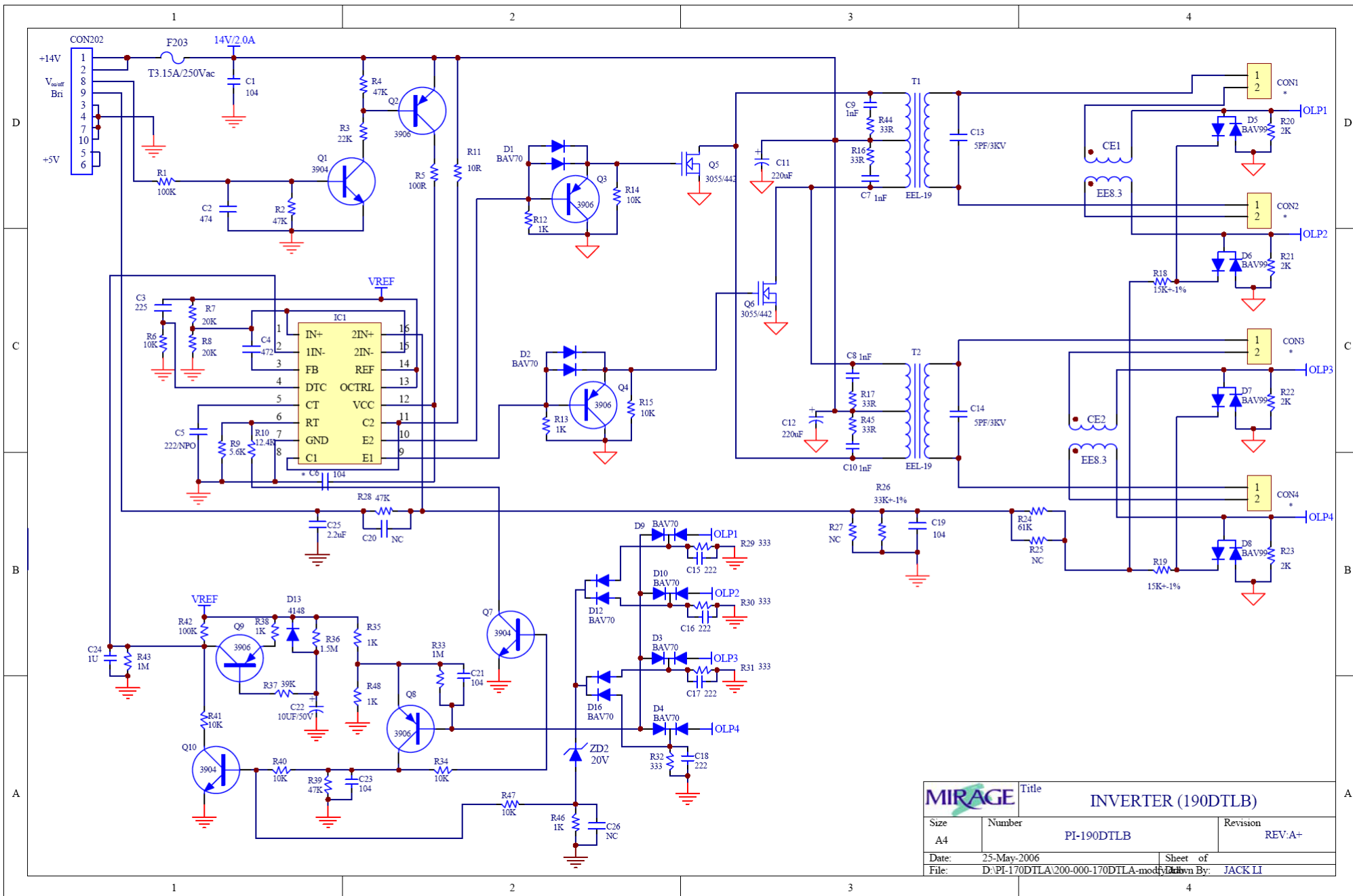


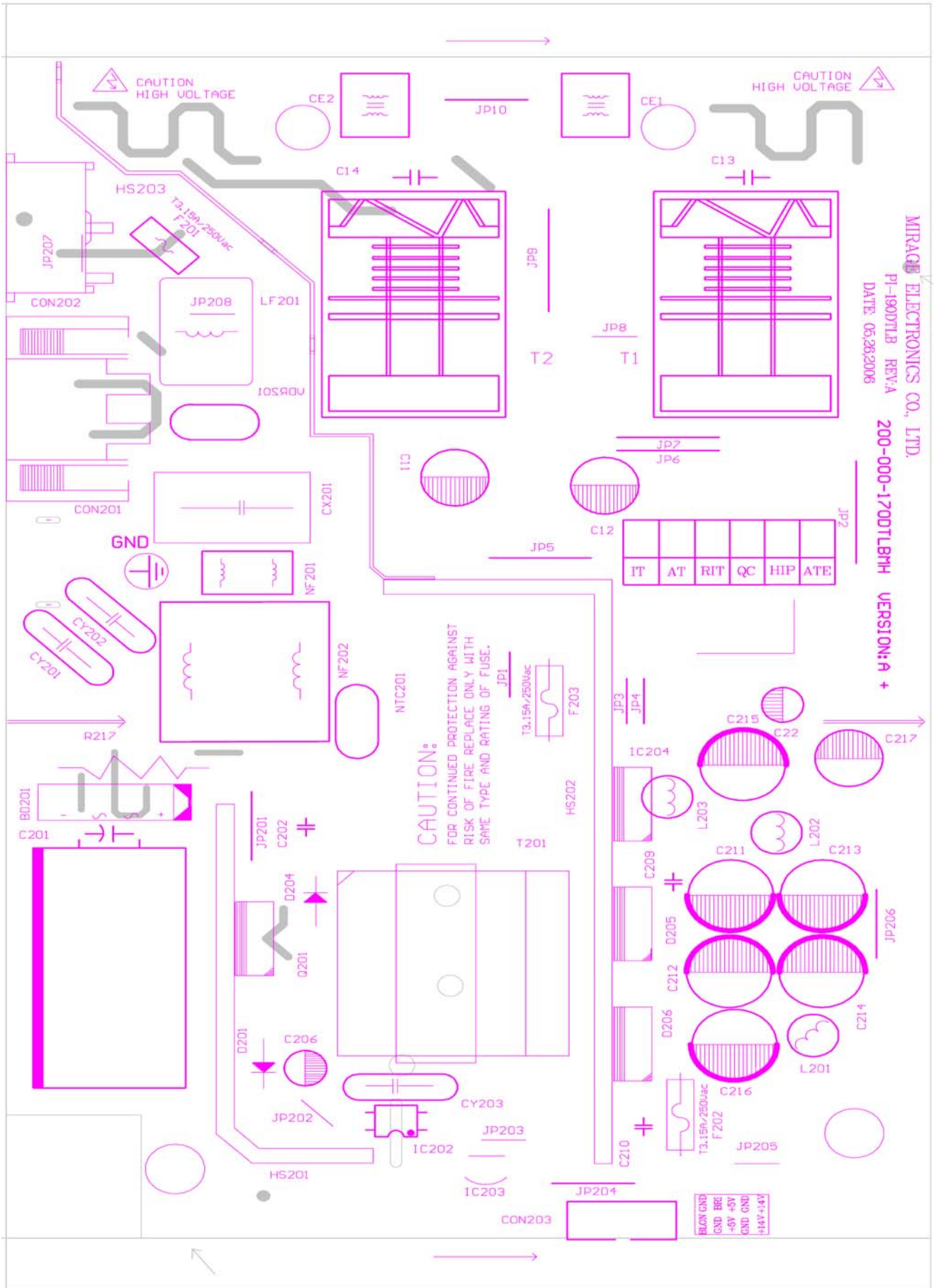
MIRAGE		Title	
		POWER(TLA/TLB)	
Size	Number	Revision	
A1	PI-190DTLB/170DTLA	REV:A+	
Date:	15-May-2006	Sheet	1 of 1
File:	D:\PI-170DTLA\200-000-170DTLA-modfy.dwg	Drawn By:	LDIE



MIRAGE		Title	
		INVERTER (190DTLB)	
Size	Number	Revision	
A4	PI-190DTLB	REV:A+	
Date:	25-May-2006	Sheet of	
File:	D:\PI-170DTLA\200-000-170DTLA-mod	Drawn By:	JACK LI

Inverter + Power Board

Top layer



Bottom layer

