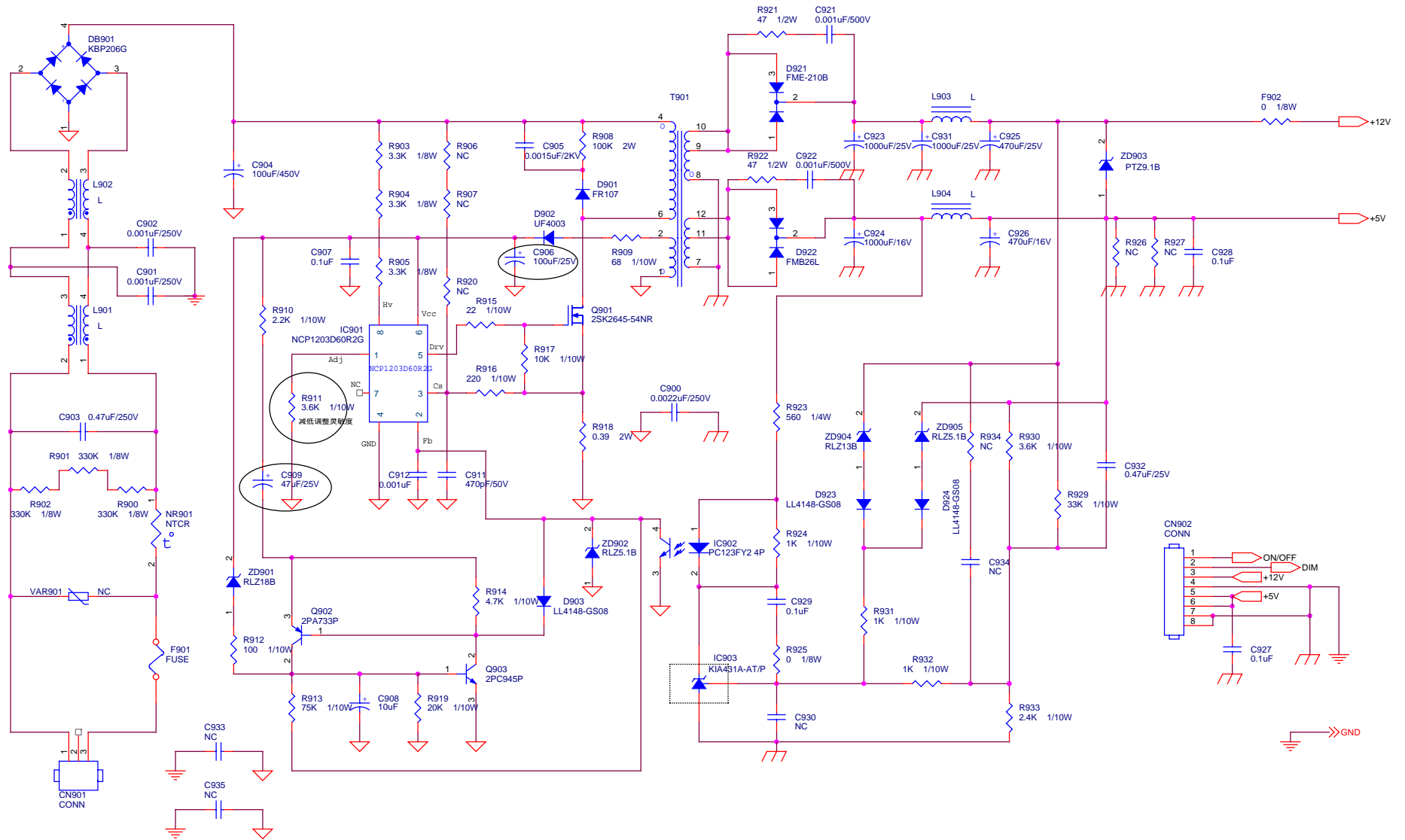
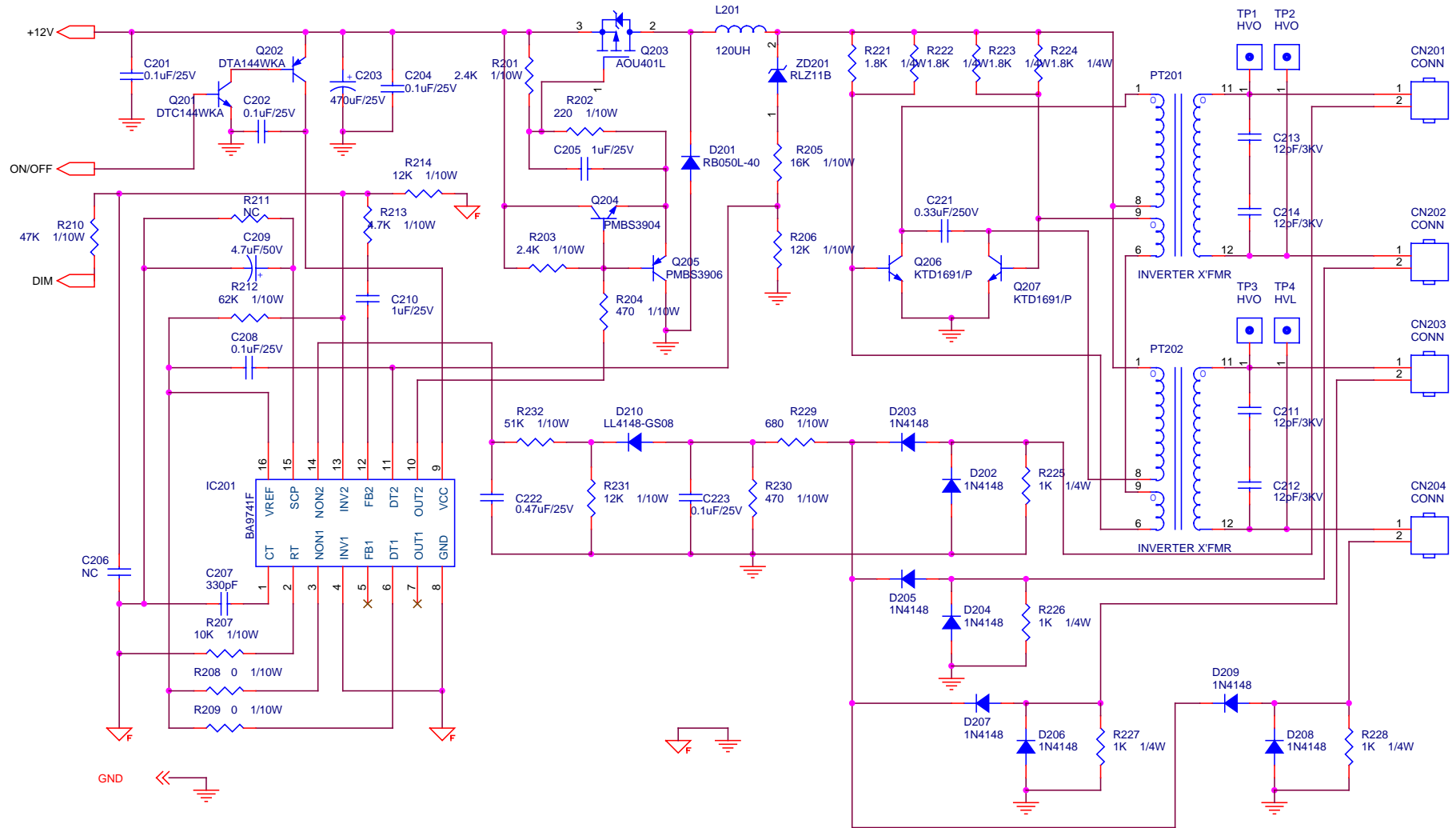




Power board (adapter + inverter)





 is power GND

 is signal GND