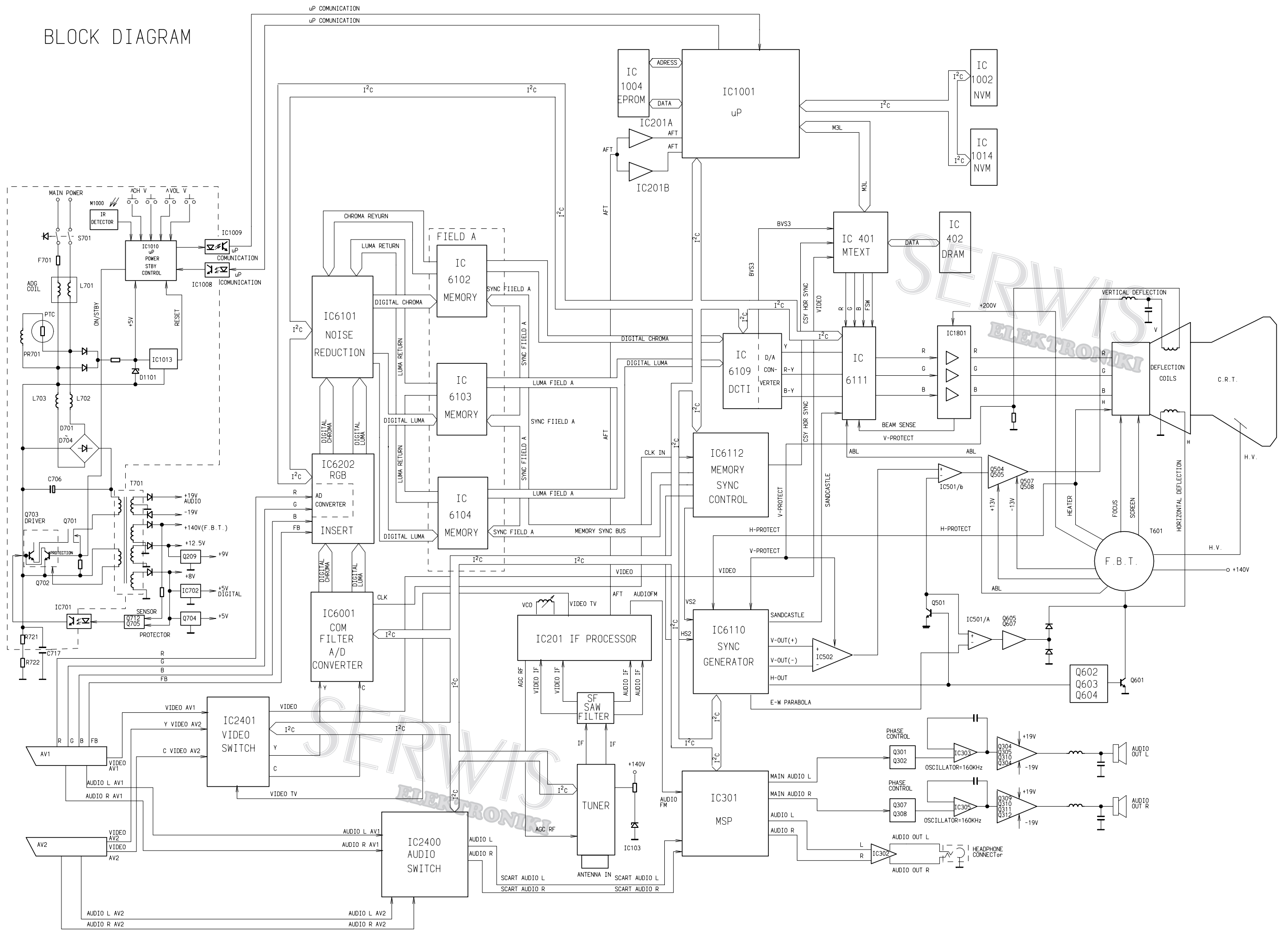


OTVC Sharp 70DS15S, 70DS15SN, C7015S chassis CA100

BLOCK DIAGRAM



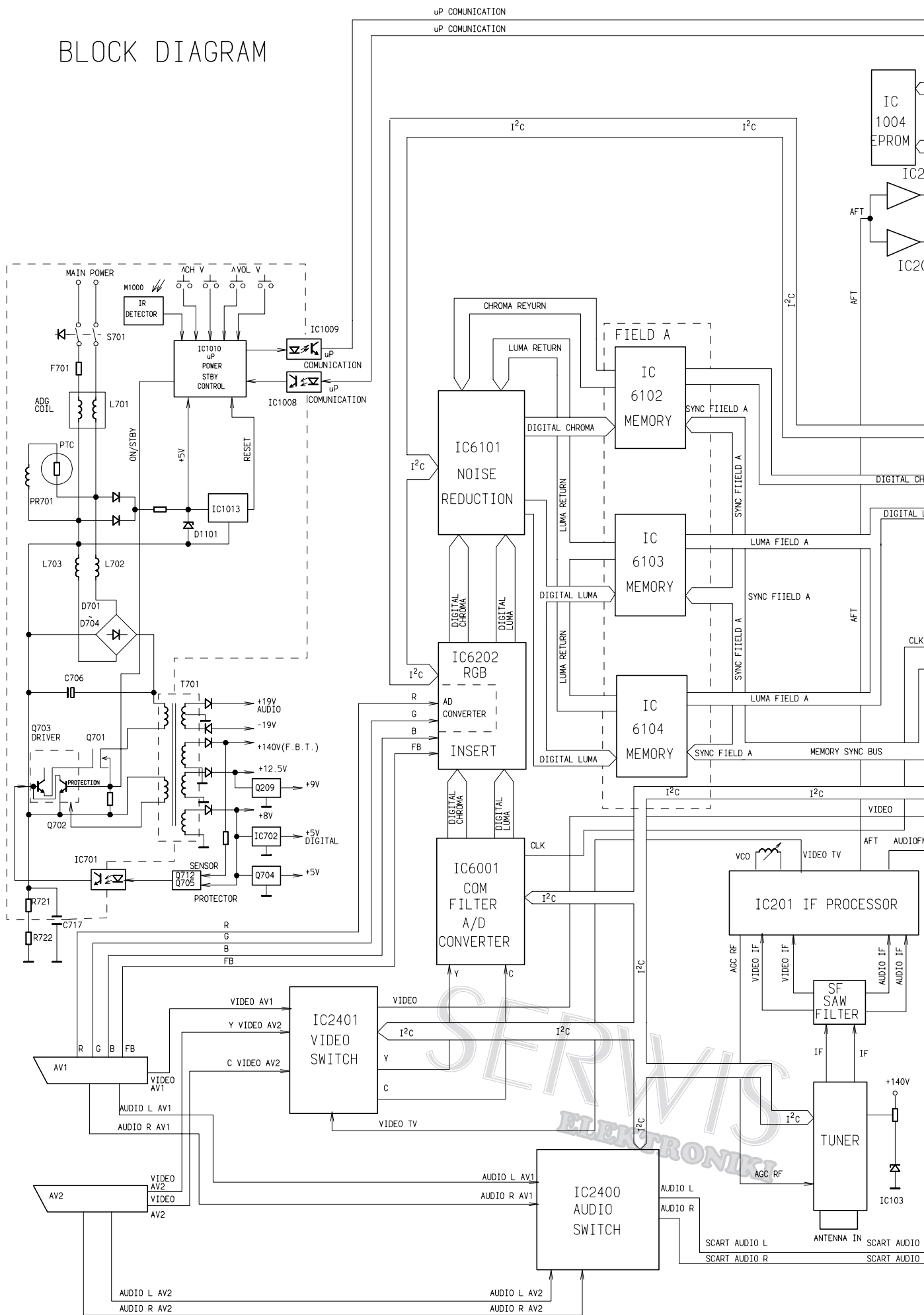
1

1



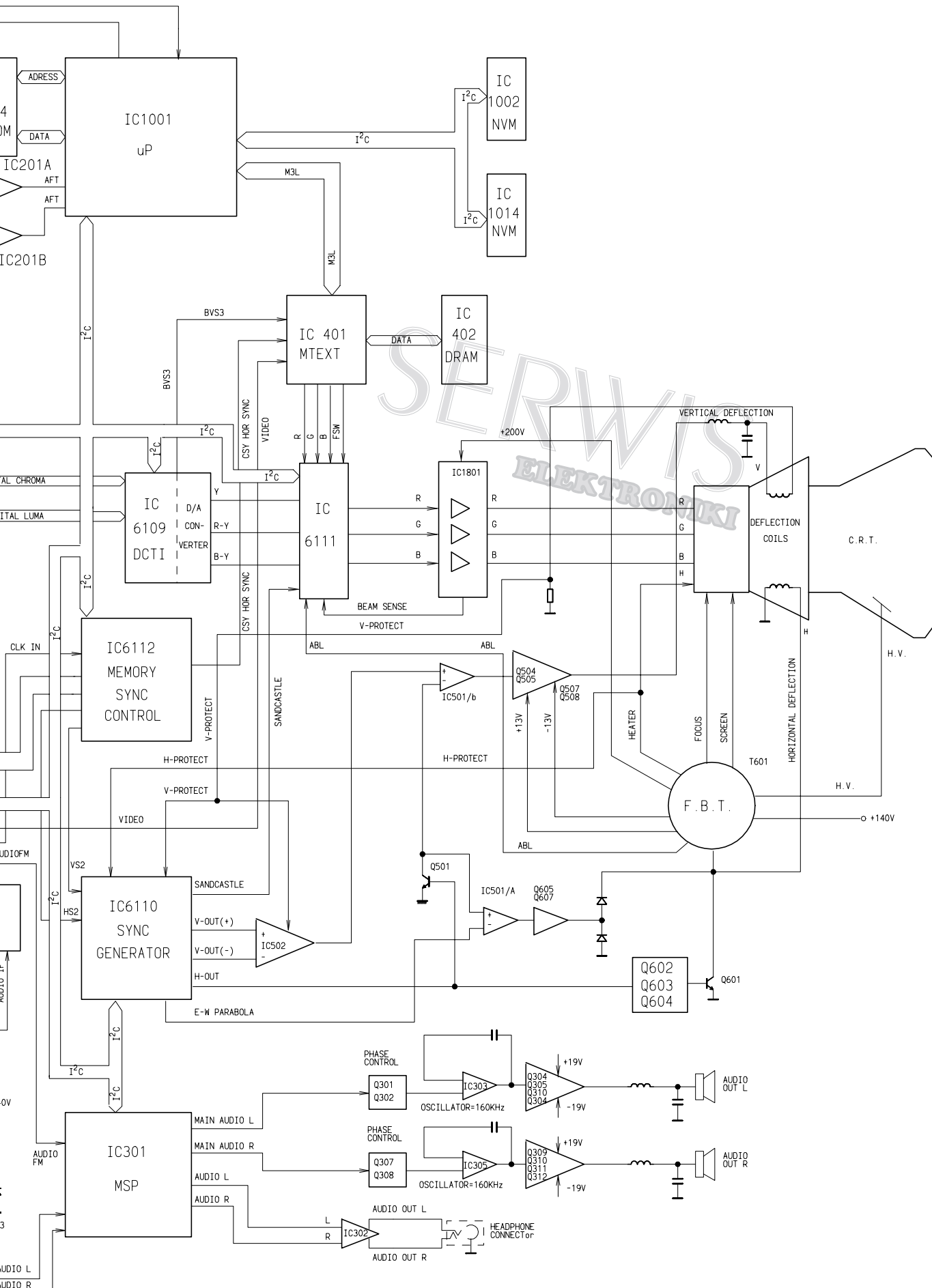
OTVC Sharp 70DS15S, 70DS15SN, C7015S chassis

BLOCK DIAGRAM



1

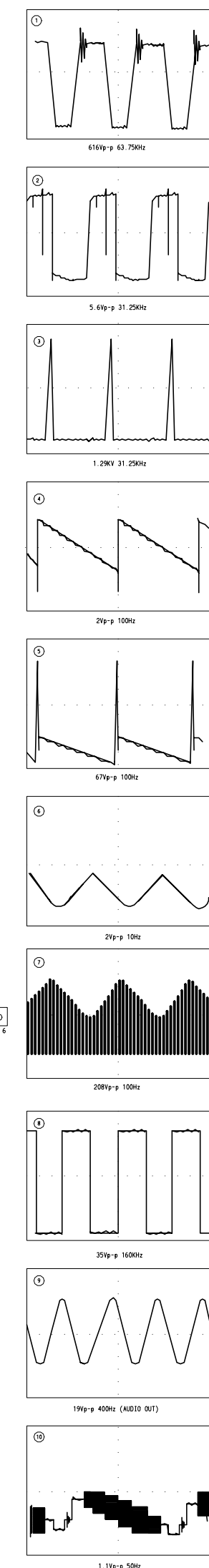
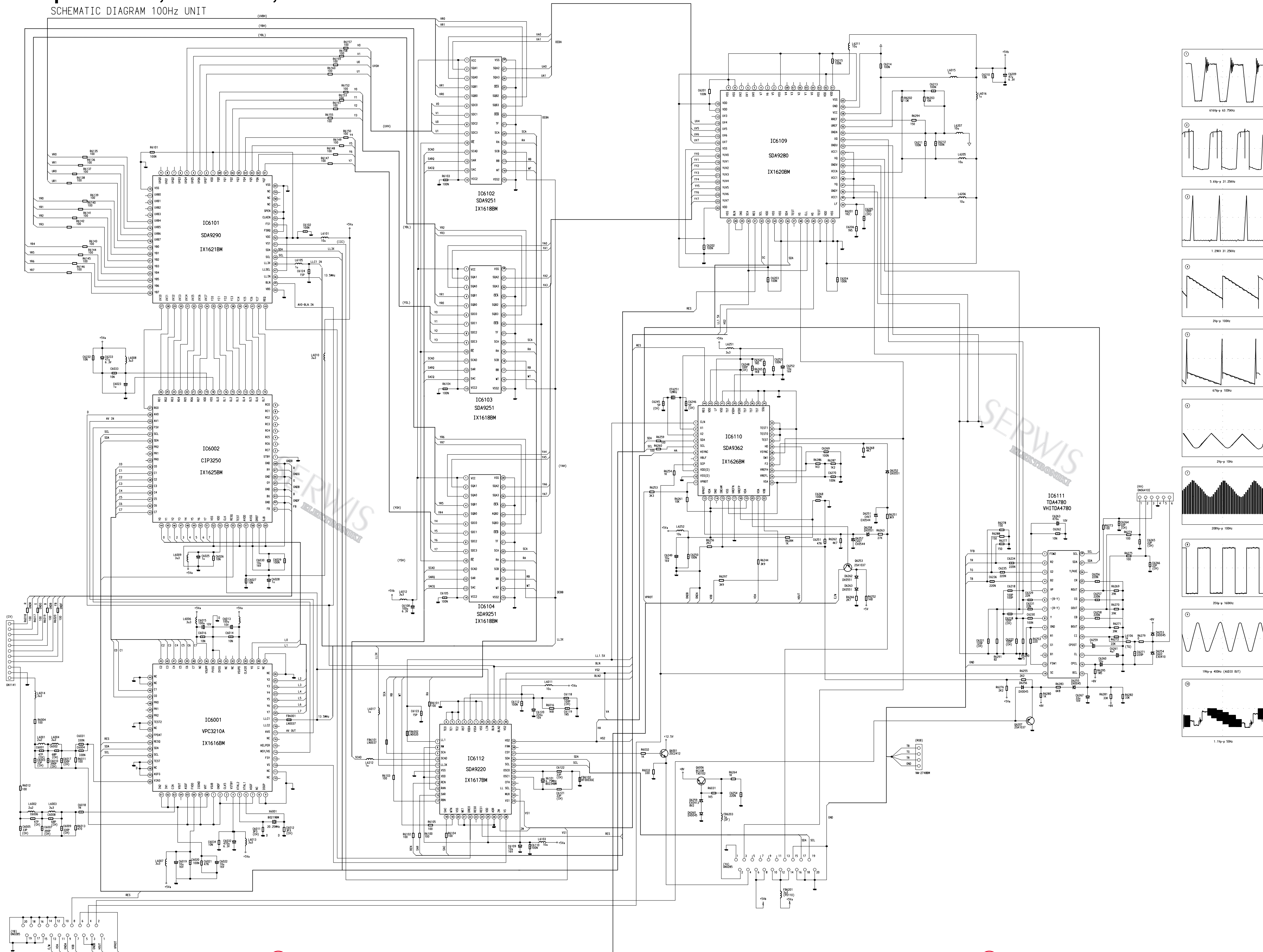
s CA100



1

OTVC Sharp 70DS15S, 70DS15SN, C7015S chassis CA100

SCHEMATIC DIAGRAM 100Hz UNIT



1

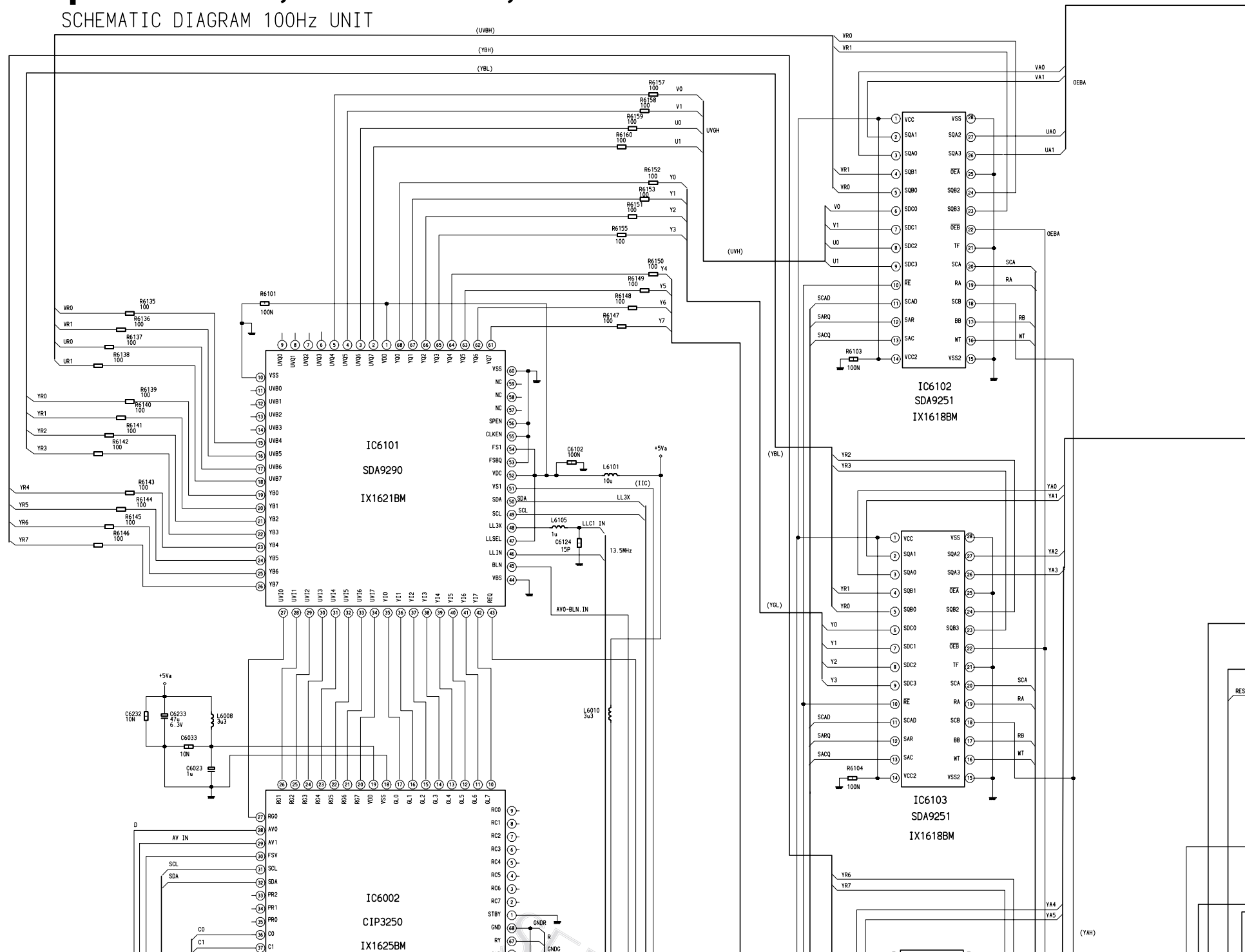
1

2

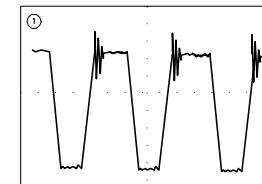
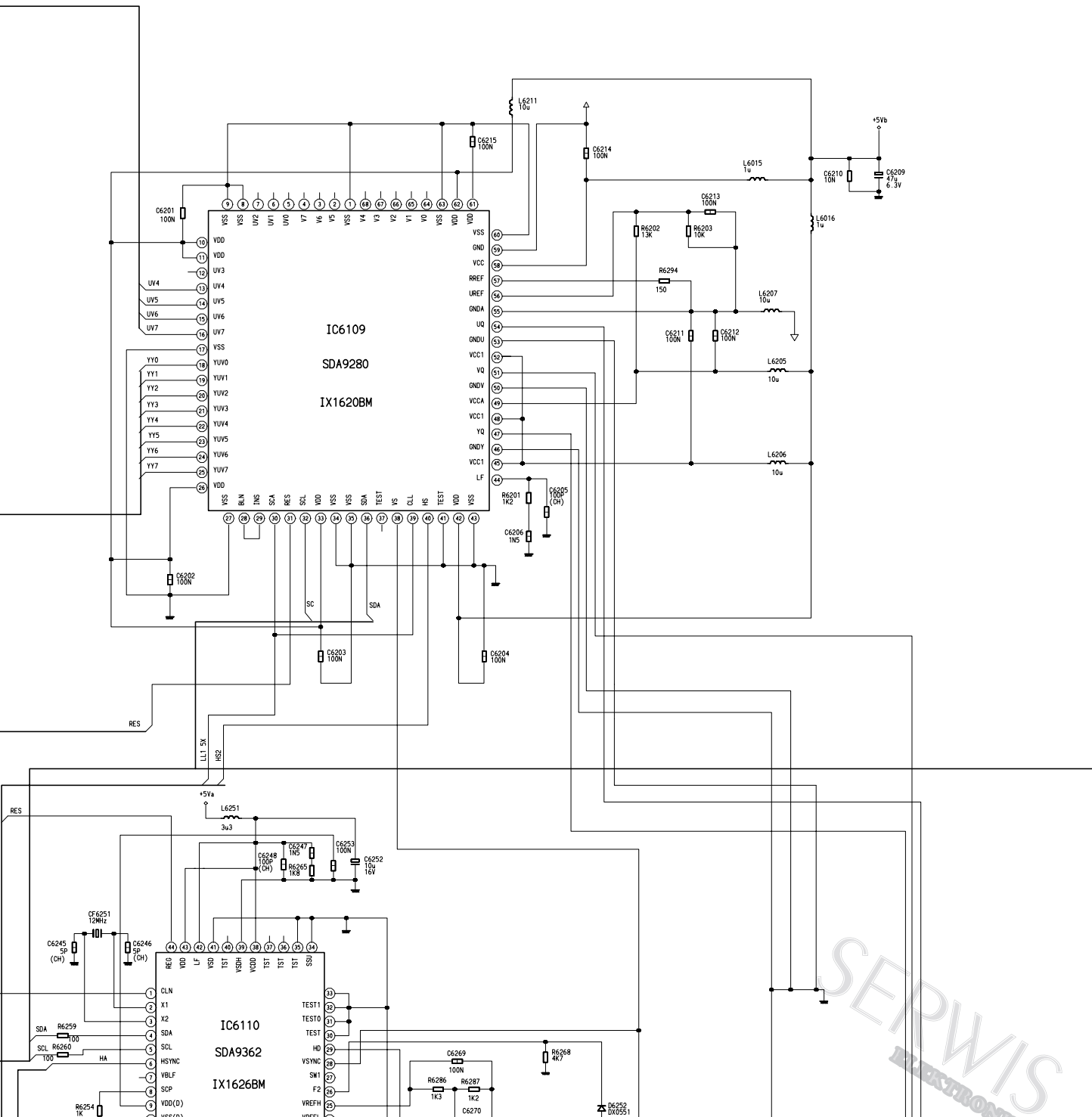
2

OTVC Sharp 70DS15S, 70DS15SN, C7015S chassis CA100

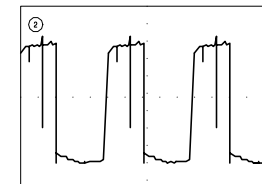
SCHEMATIC DIAGRAM 100Hz UNIT



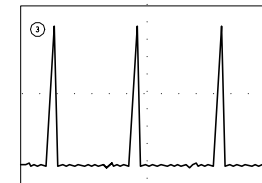
1



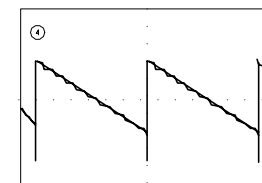
616Vp-p 63.75kHz



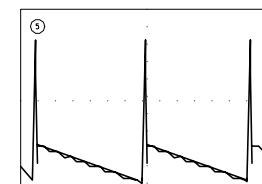
5.6Vp-p 31.25kHz



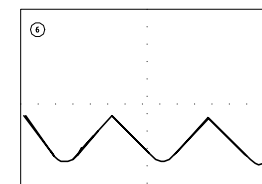
1.29KV 31.25kHz



2Vp-p 100Hz



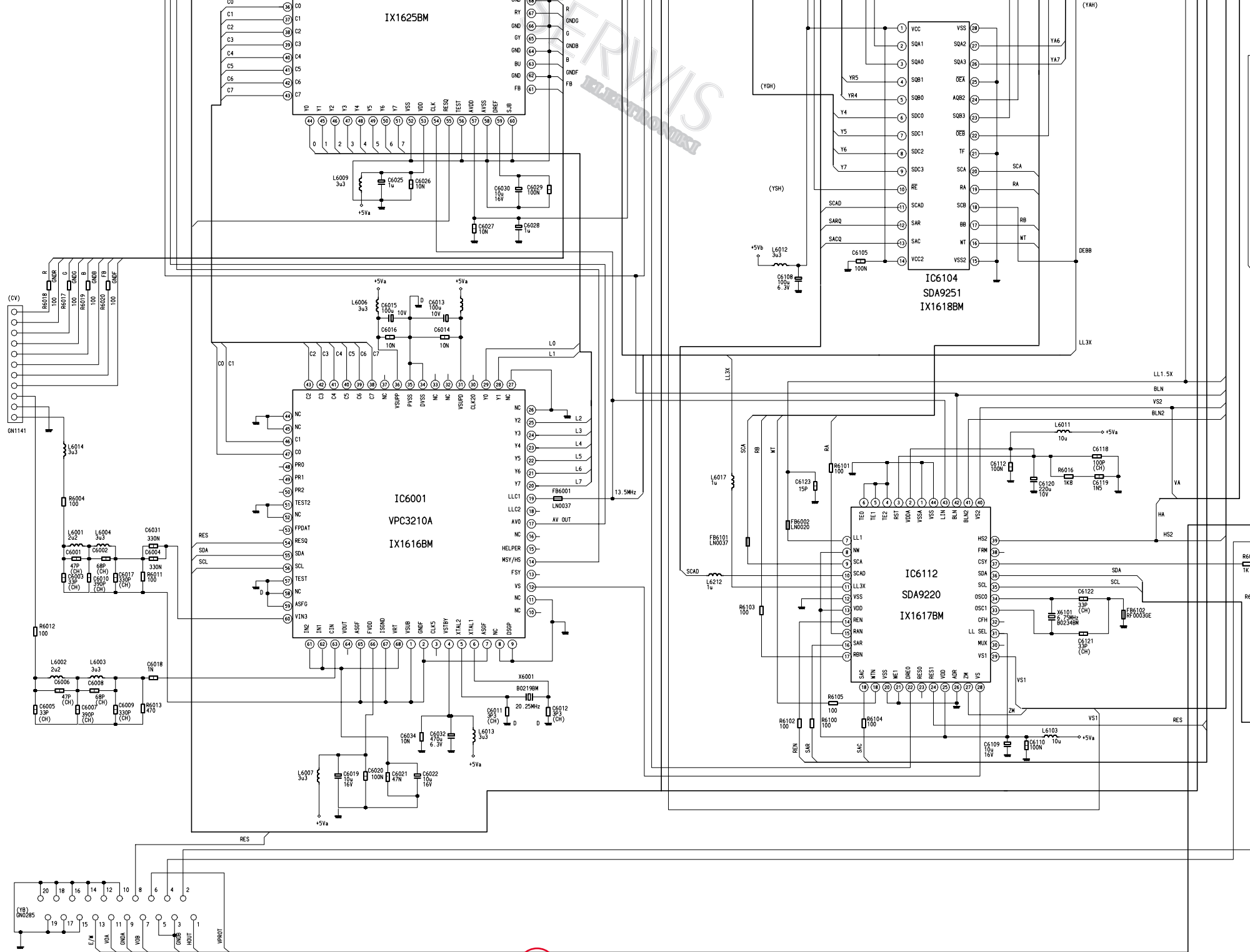
67Vp-p 100Hz



2Vp-p 10Hz

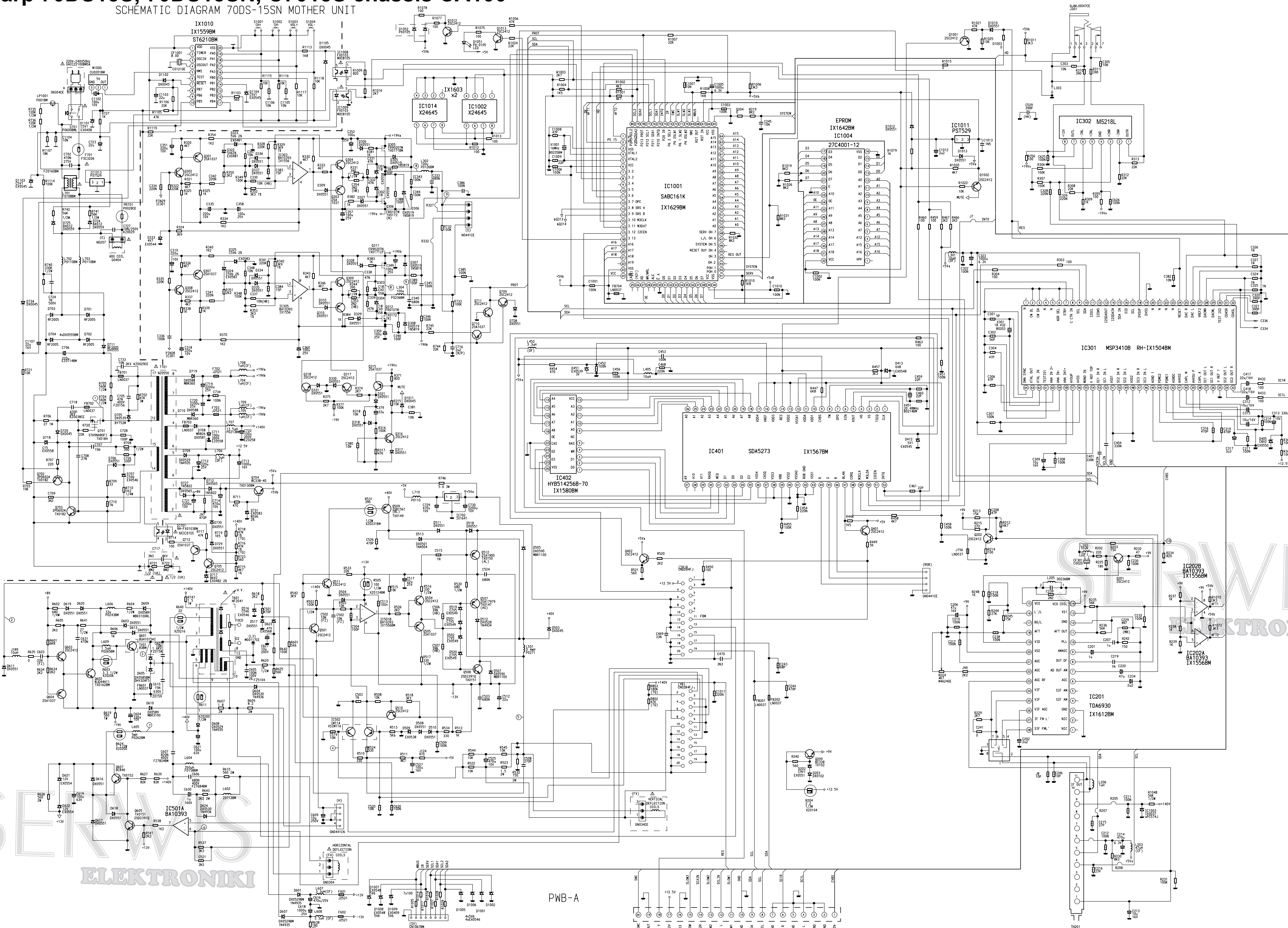


2

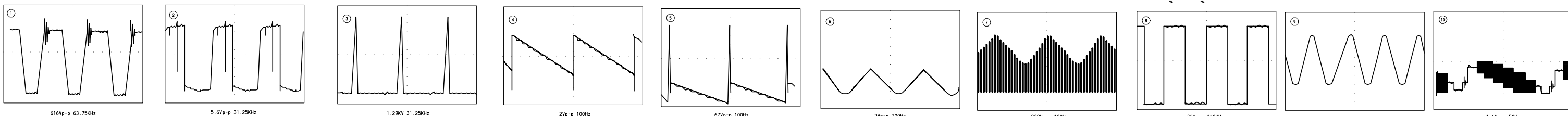


OTVC Sharp 70DS15S, 70DS15SN, C7015S chassis CA100

SCHEMATIC DIAGRAM 70DS-15SN MOTHER UNIT



PWB-A



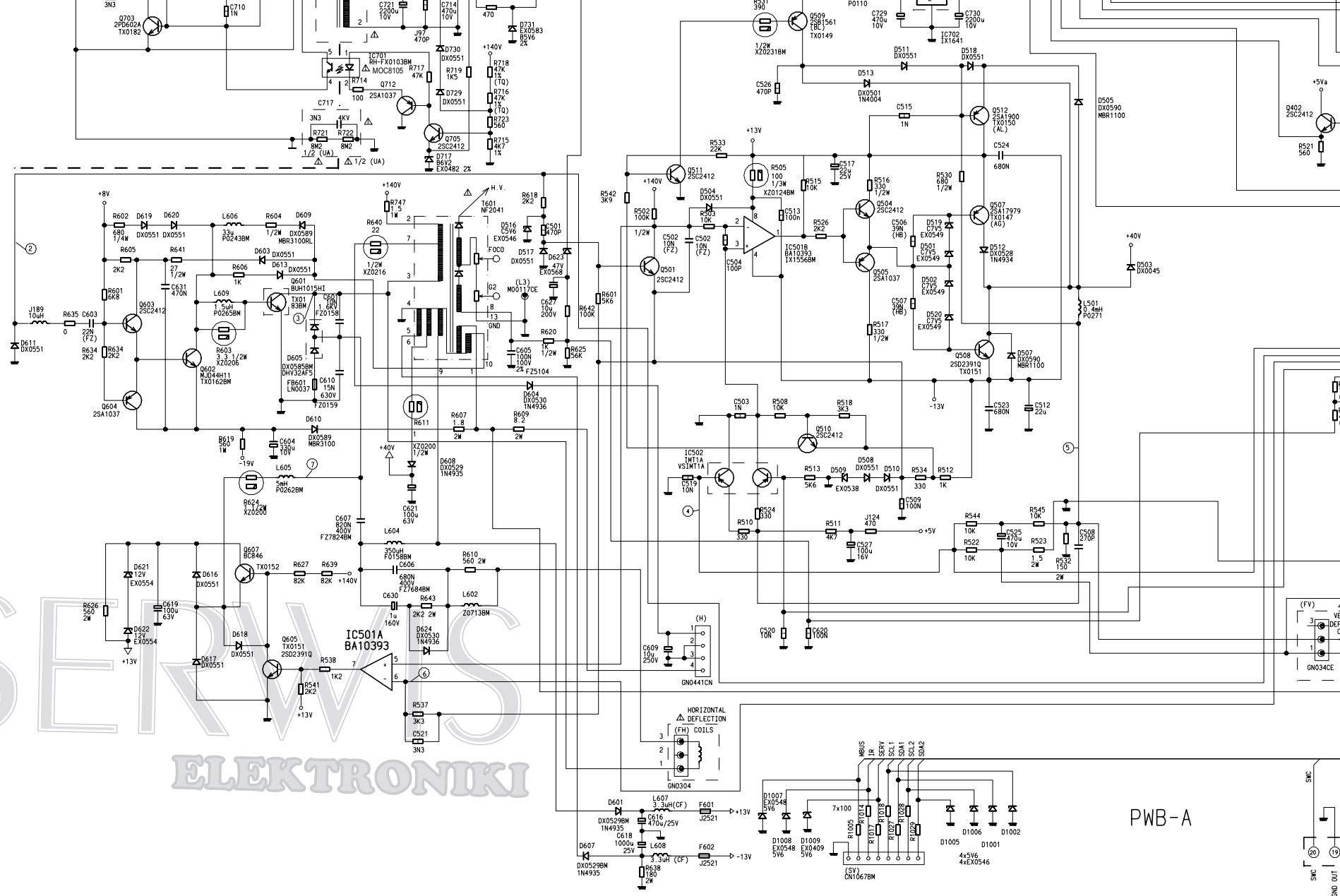
1

1

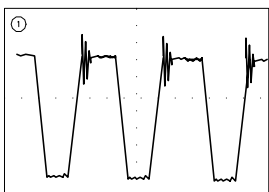
2

2

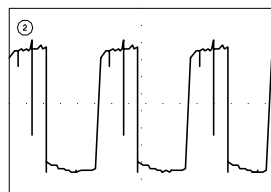
SERWIS ELEKTRONIKI



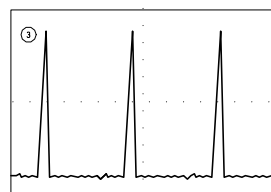
2



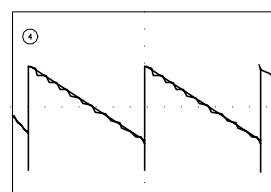
616Vp-p 63.75KHz



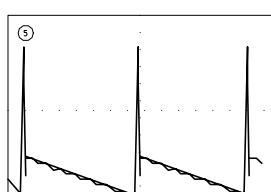
5.6Vp-p 31.25KHz



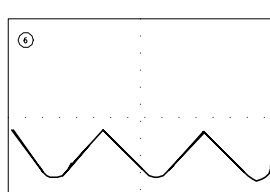
1.29KV 31.25KHz



2Vp-p 100Hz

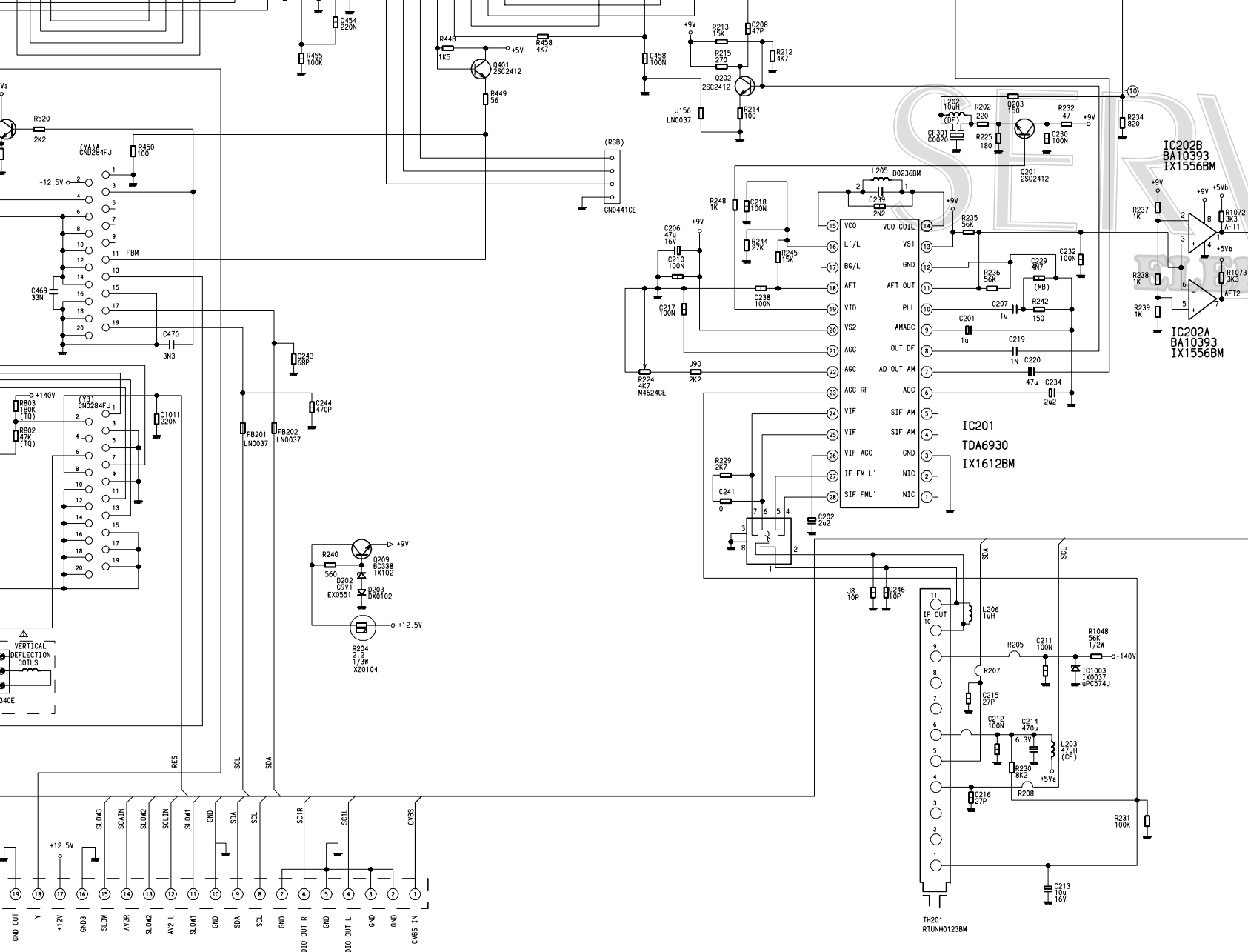


67Vp-p 100Hz



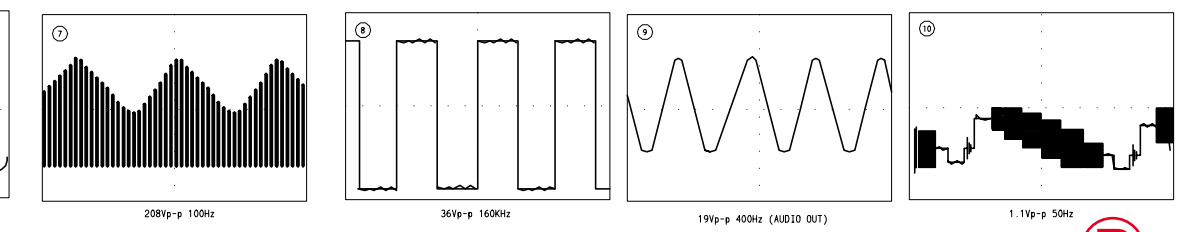
2Vp-p 100Hz





SERWIS
ELEKTRONIKI

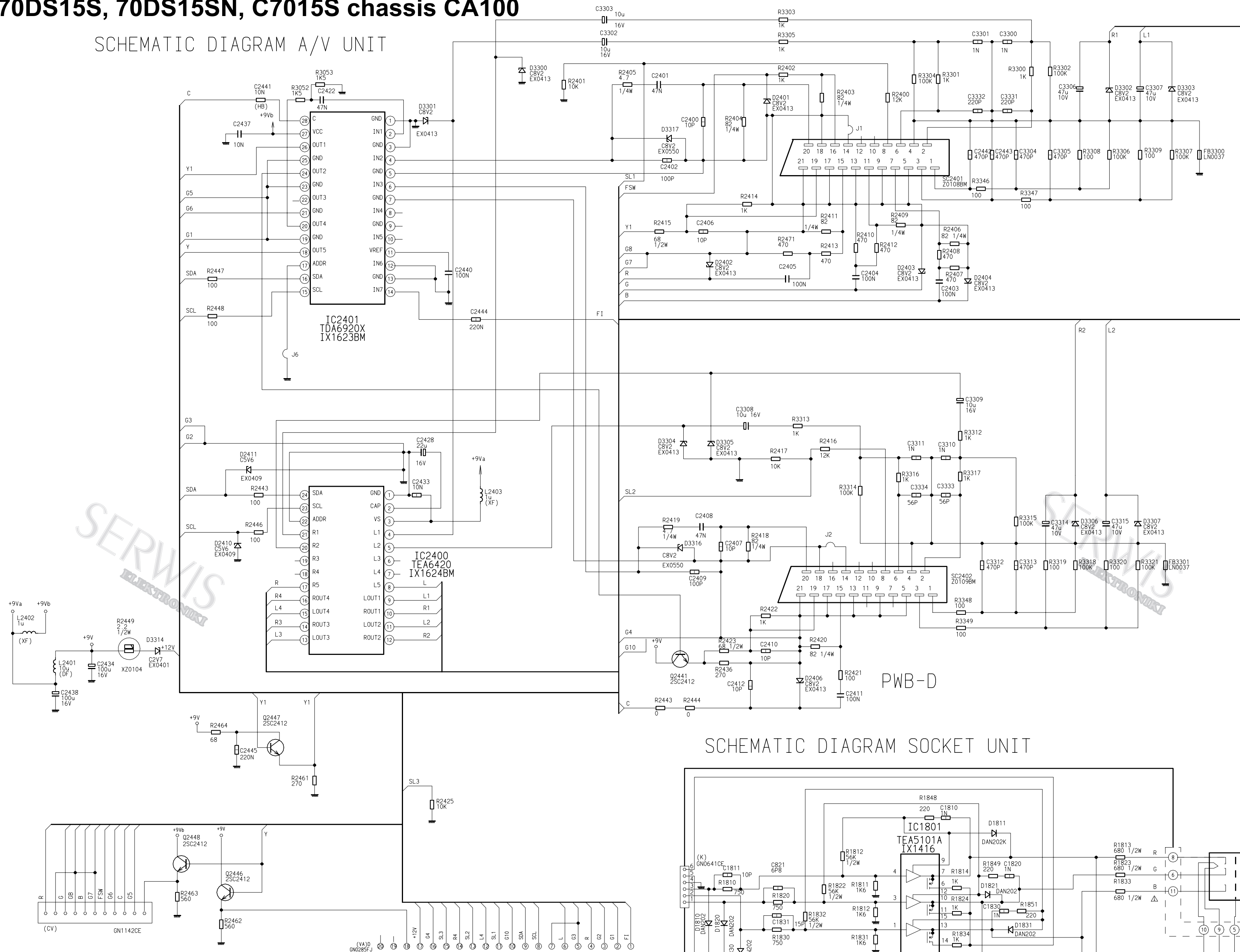
2



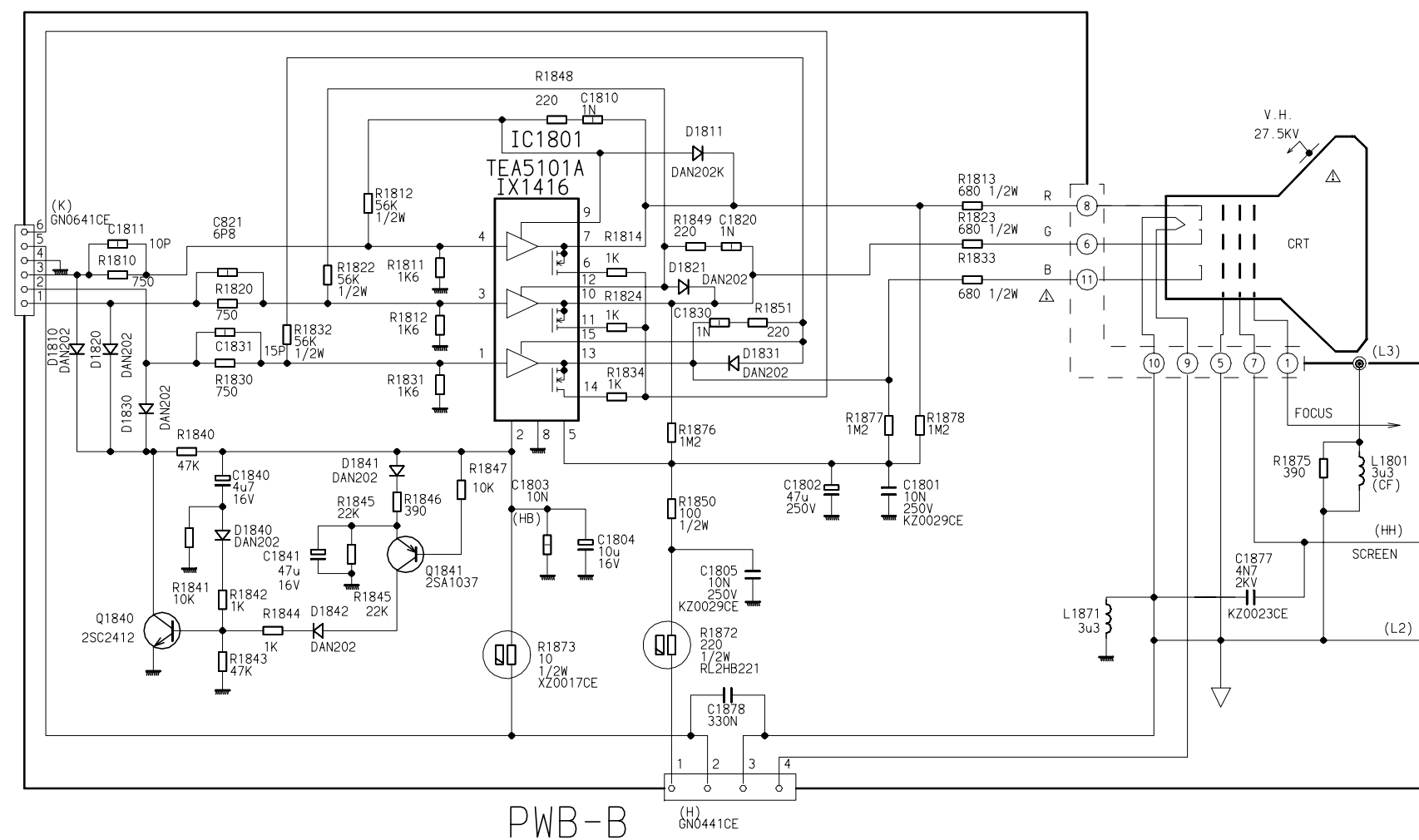
B

OTVC Sharp 70DS15S, 70DS15SN, C7015S chassis CA100

SCHEMATIC DIAGRAM A/V UNIT



SCHEMATIC DIAGRAM SOCKET UNIT



1

1

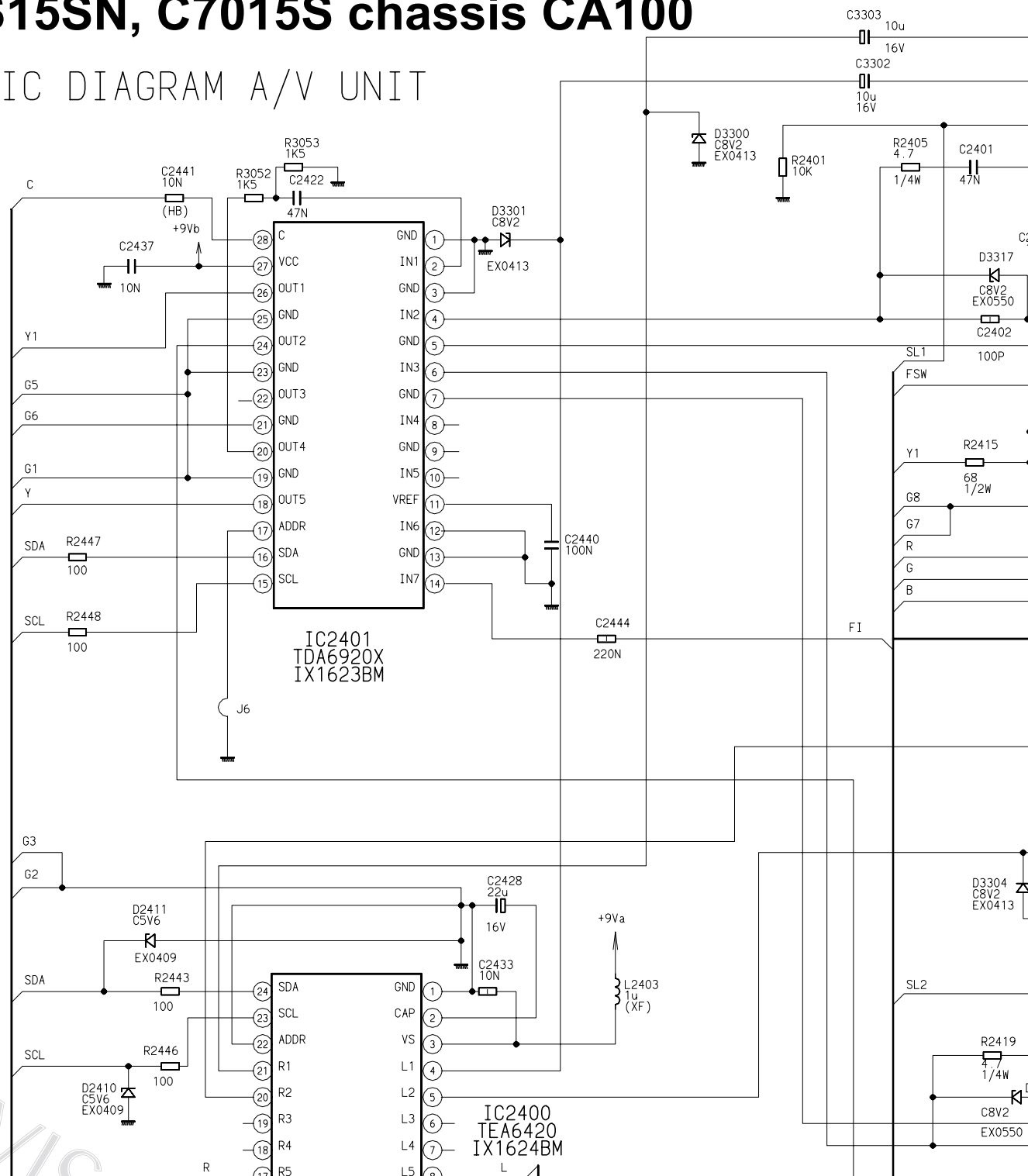
2

2

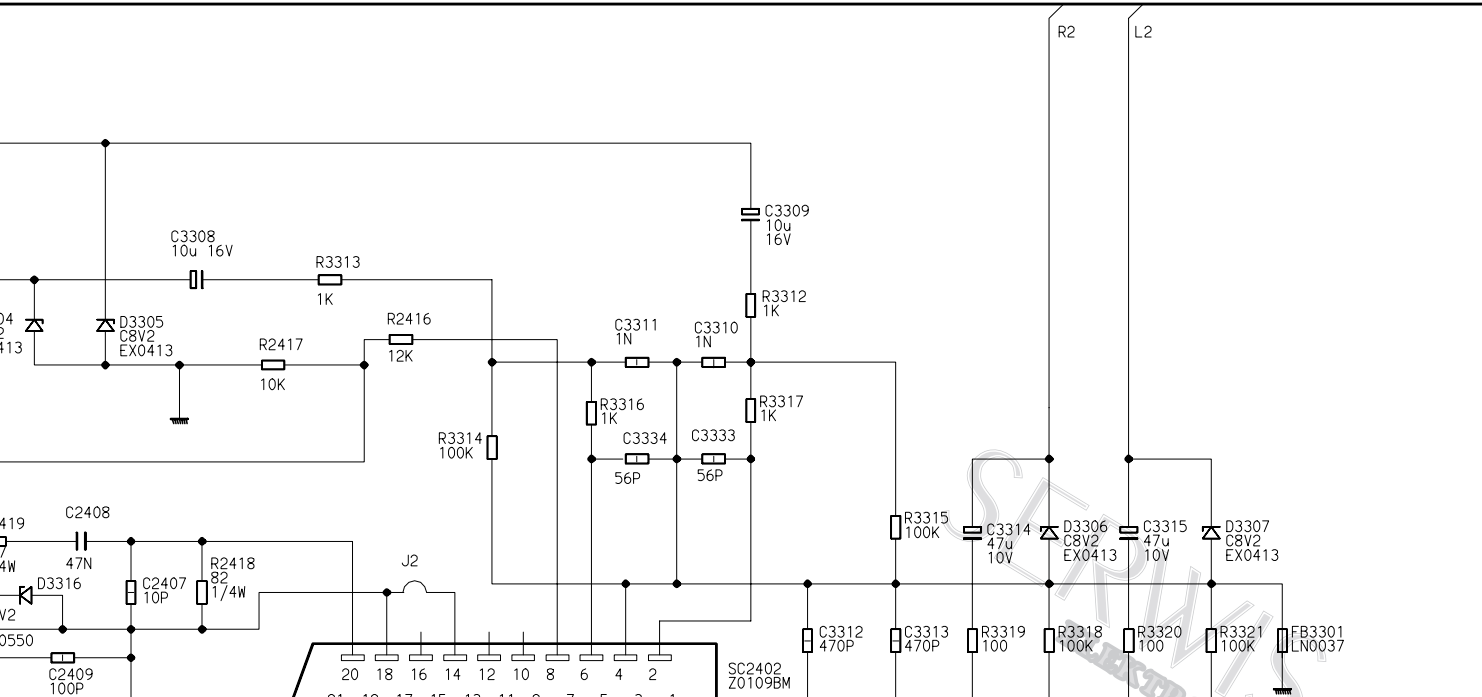
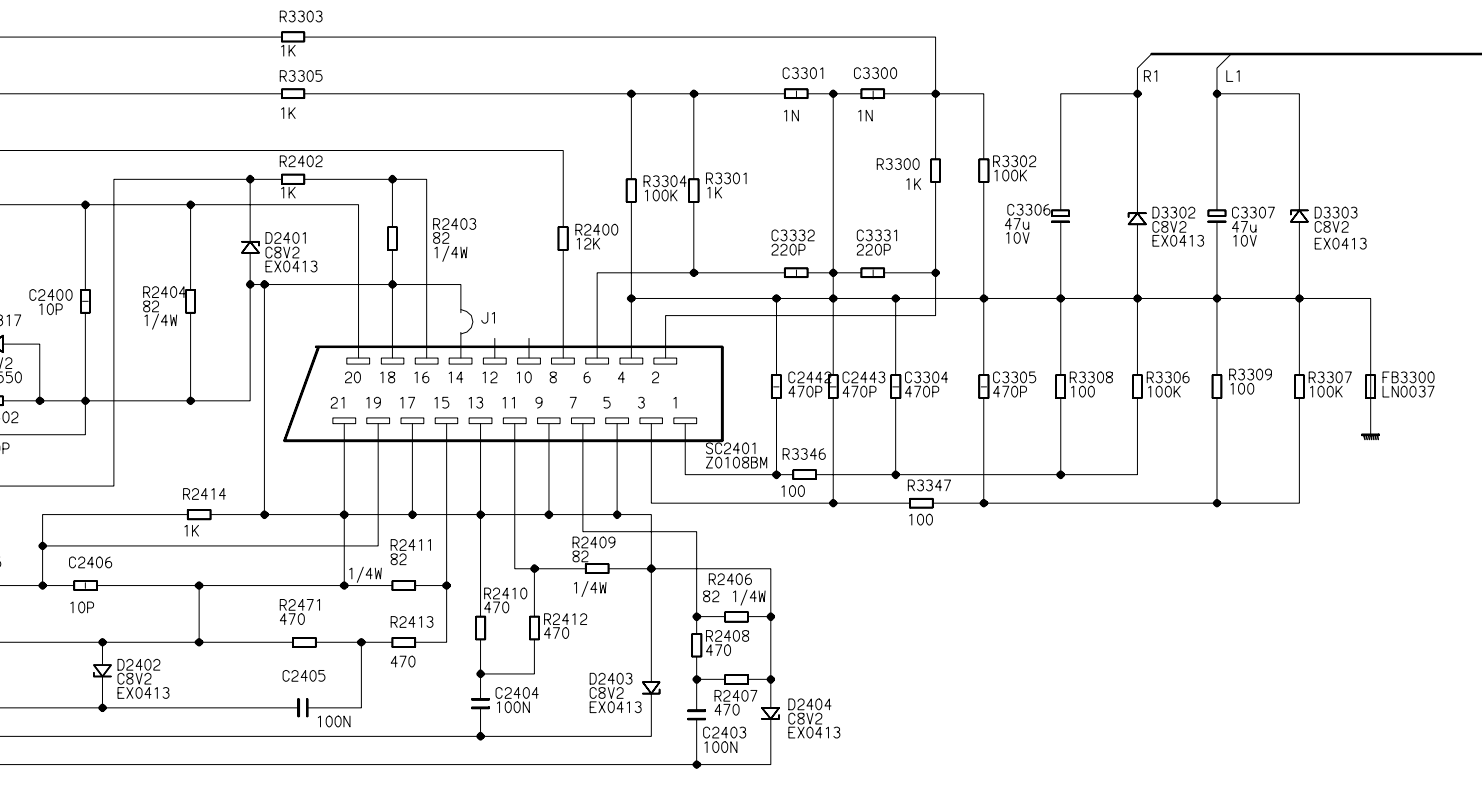
OTVC Sharp 70DS15S, 70DS15SN, C7015S chassis CA100

SCHEMATIC DIAGRAM A/V UNIT

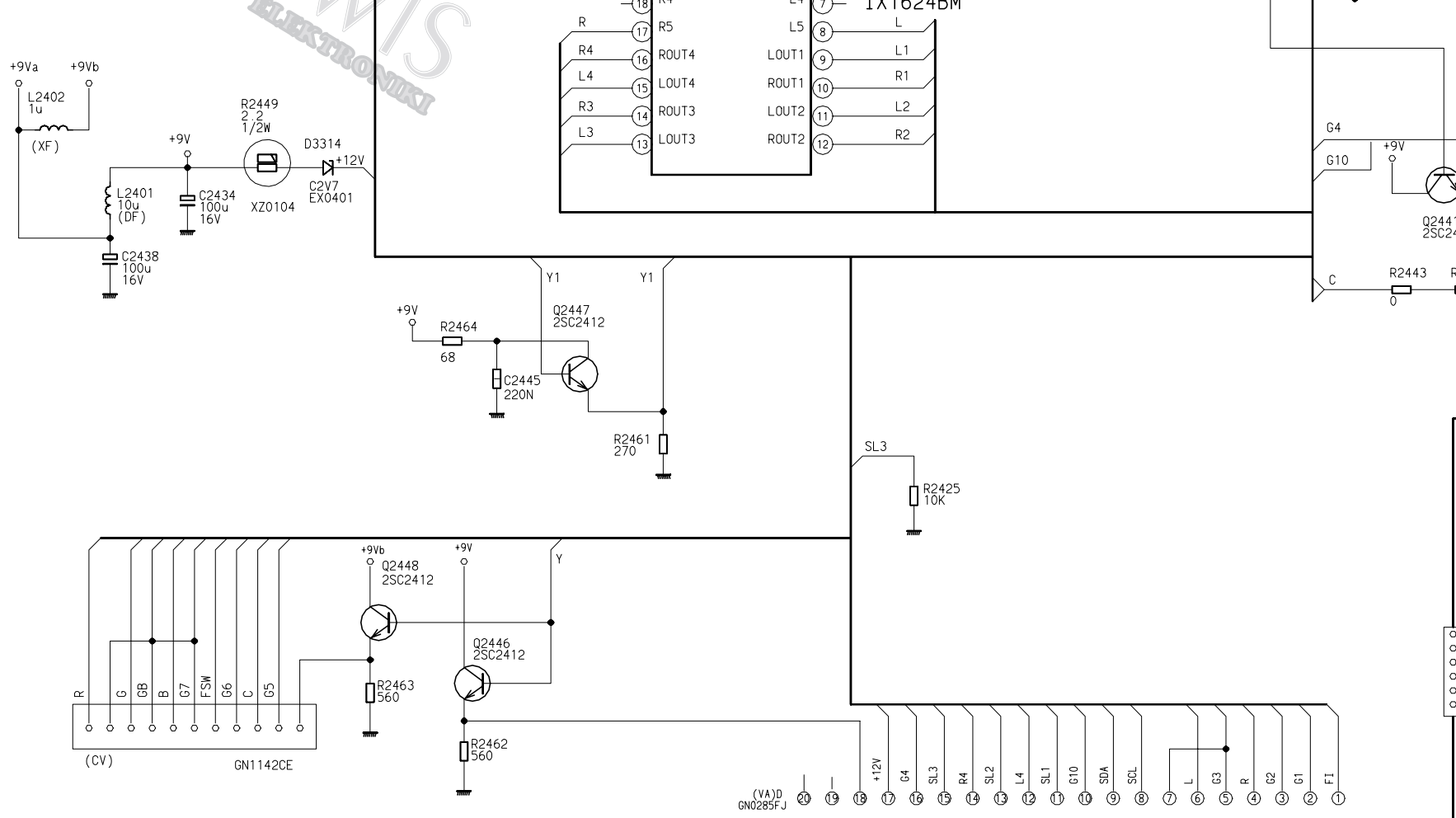
1

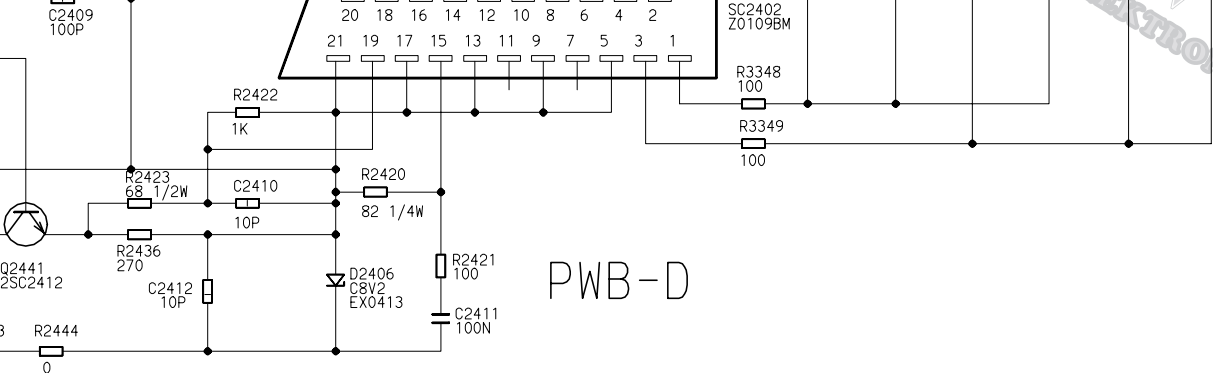


SERWIS



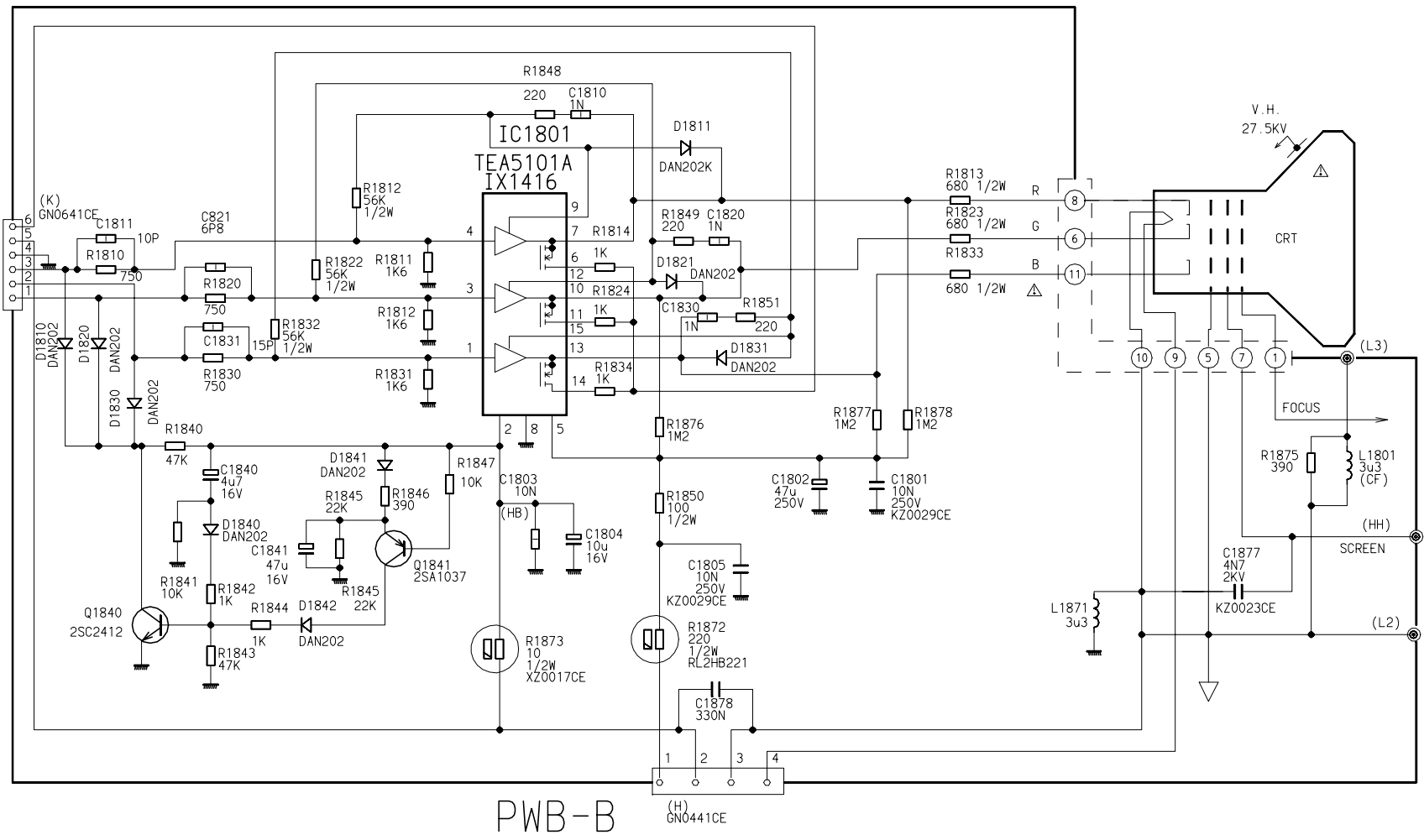
2





PWB-D

SCHEMATIC DIAGRAM SOCKET UNIT



PWB-B

2