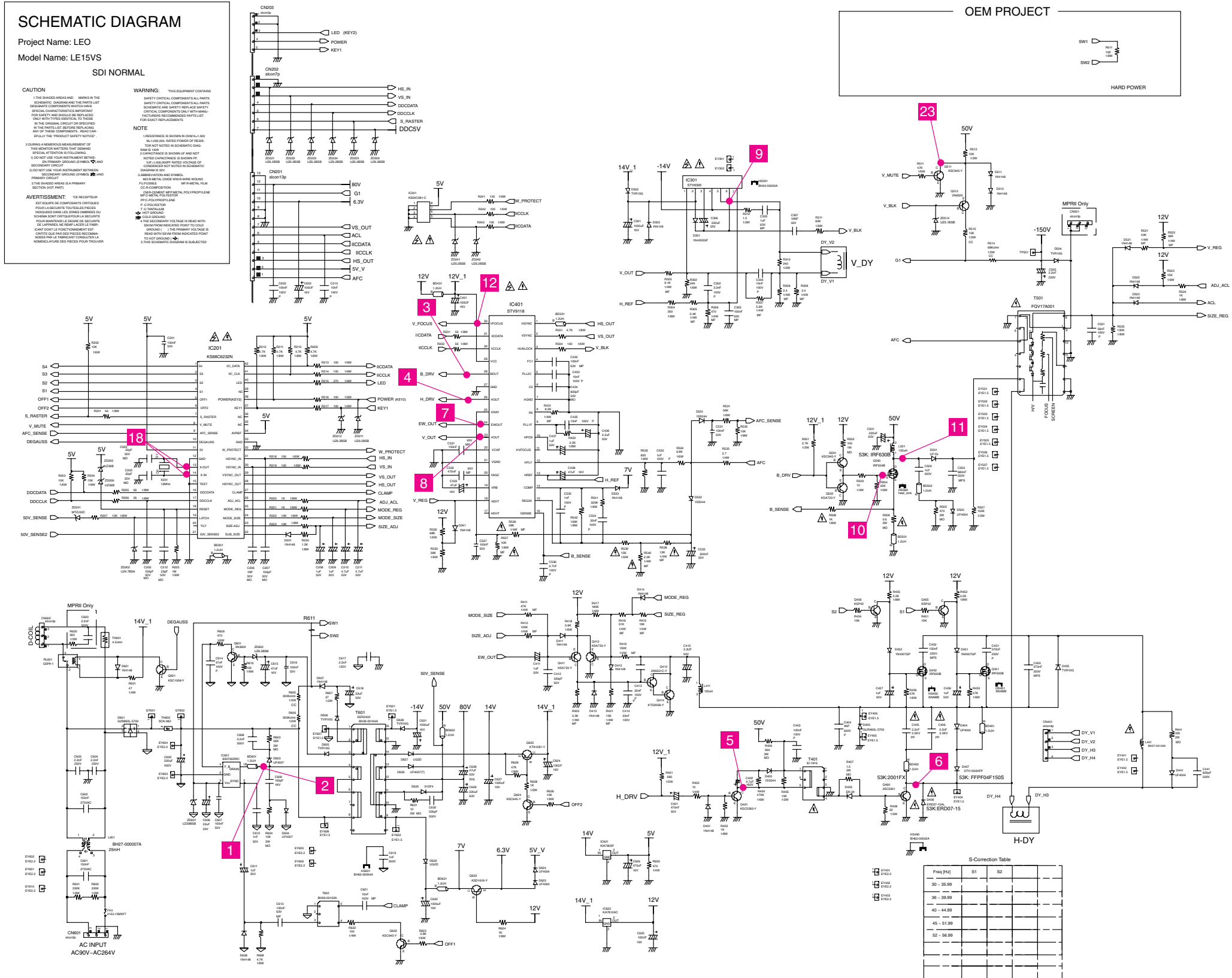


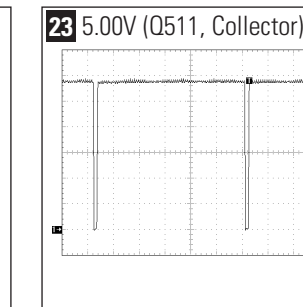
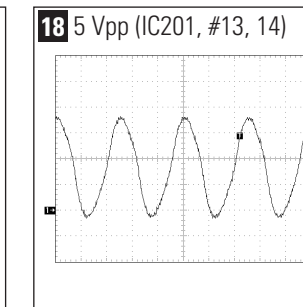
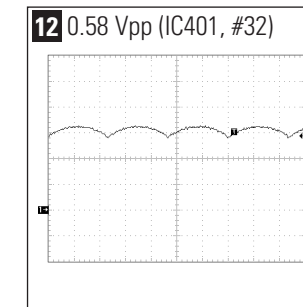
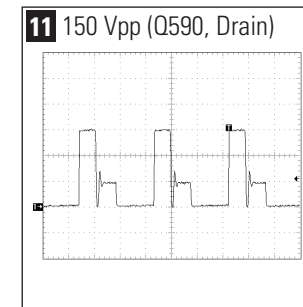
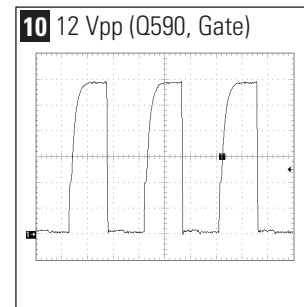
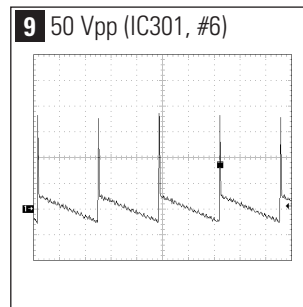
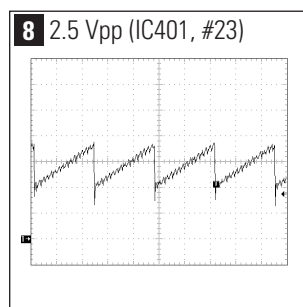
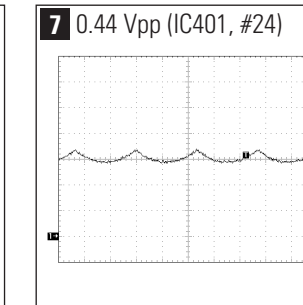
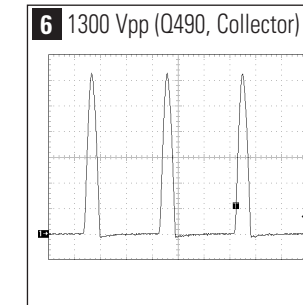
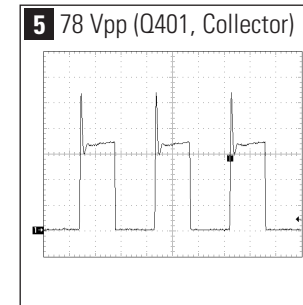
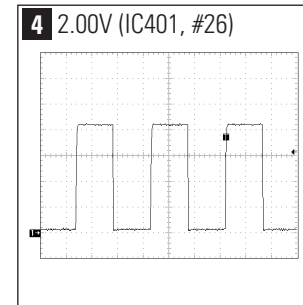
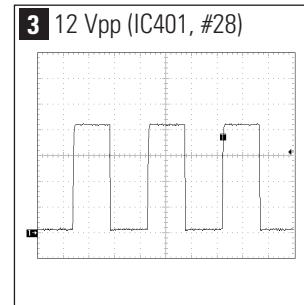
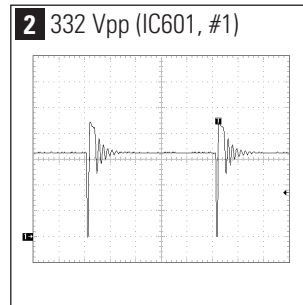
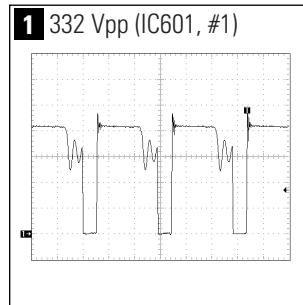
# 11 Schematic Diagrams

\* This Document can not be used without Samsung's authorization.

## 11-1 LE15V\* Main Schematic Diagram

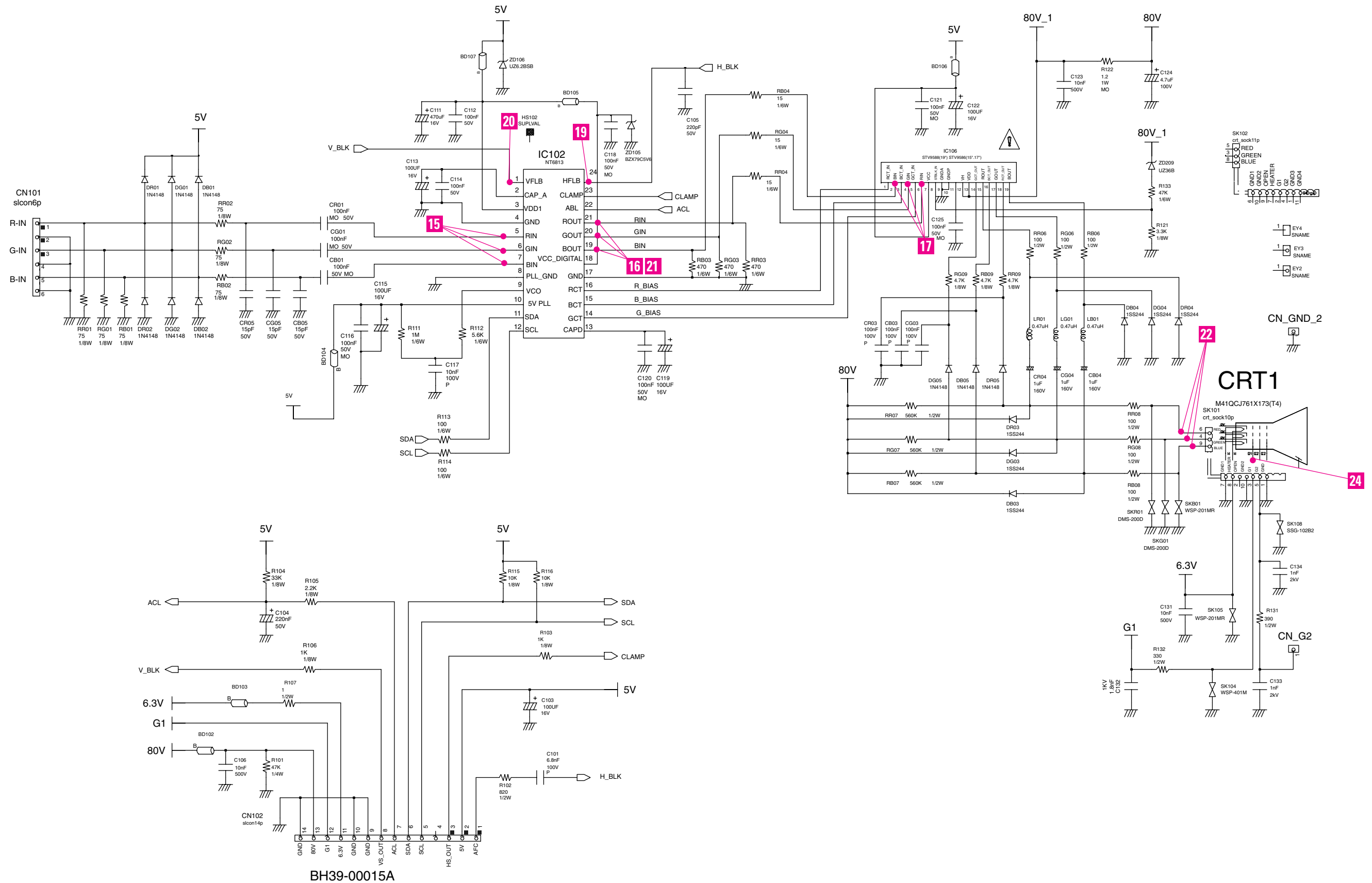


11 Schematic Diagrams



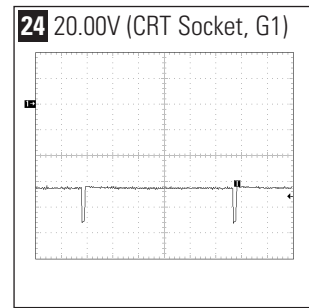
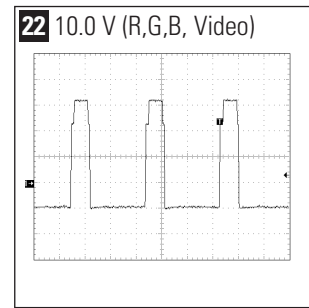
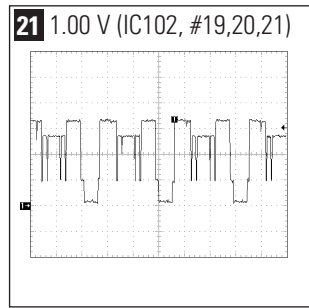
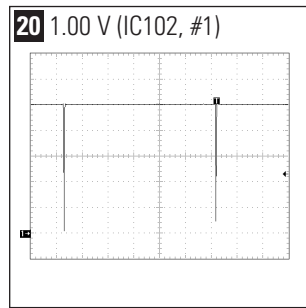
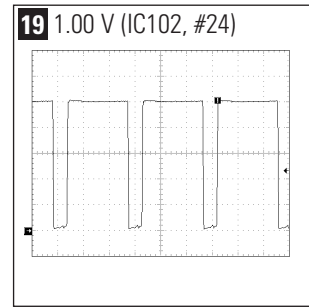
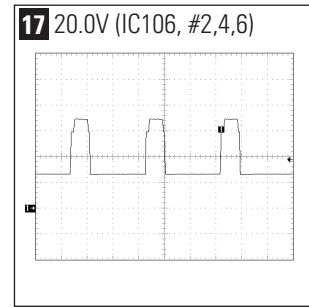
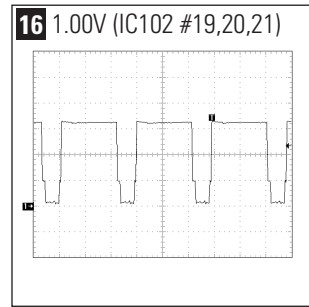
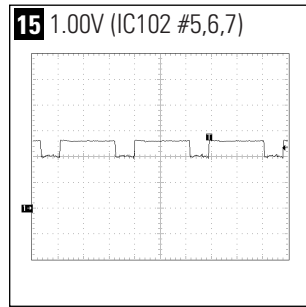
\* This Document can not be used without Samsung's authorization.

### 11-2 LE15V\* SN Video Schematic Diagram



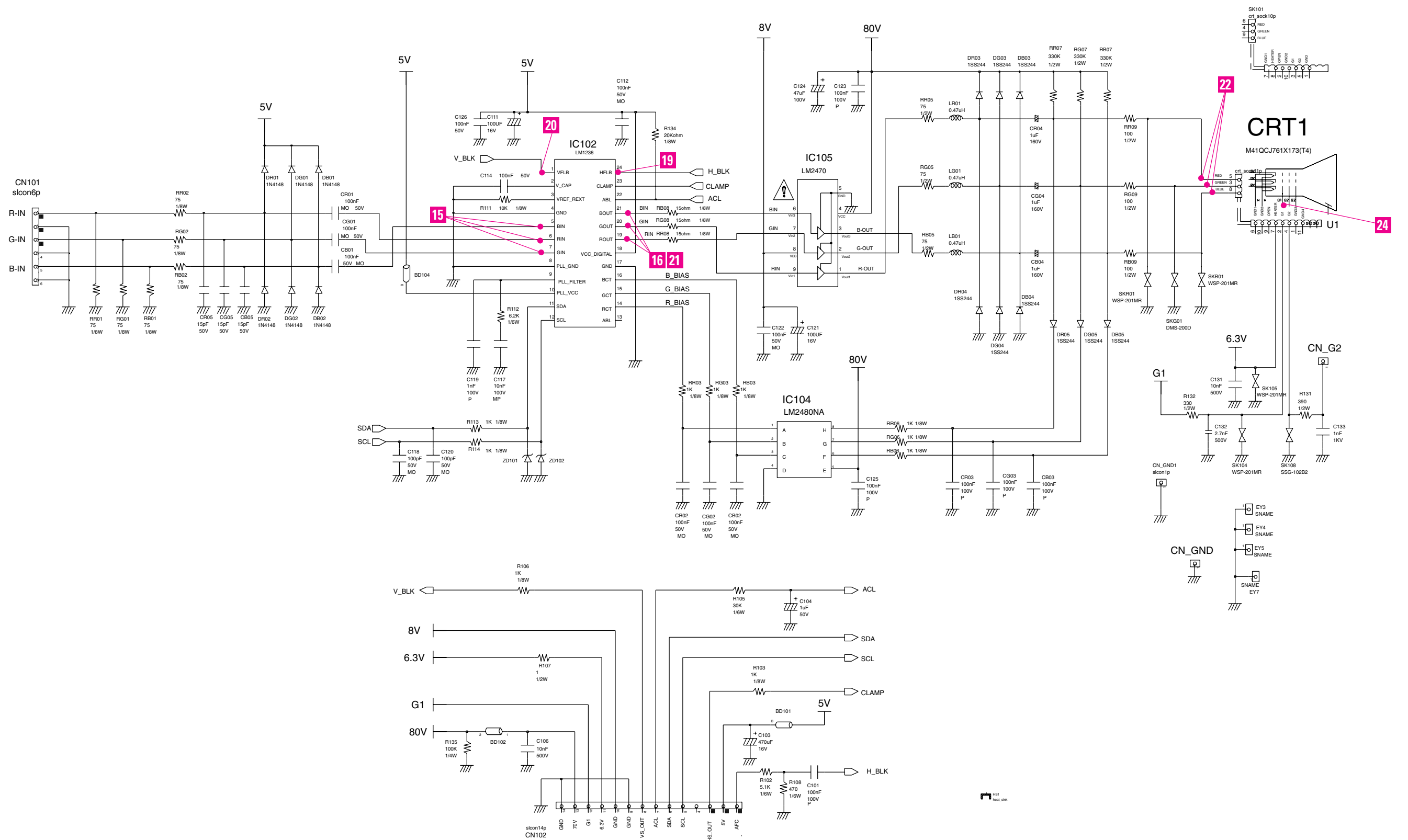
BH39-00015A

11 Schematic Diagrams

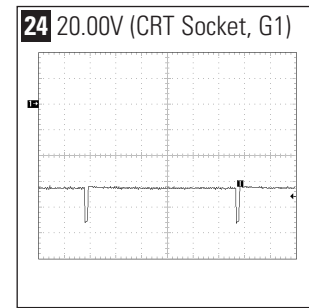
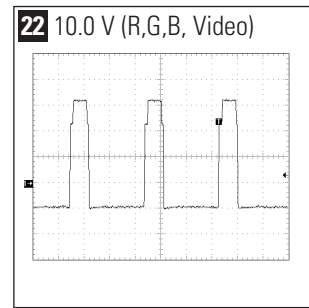
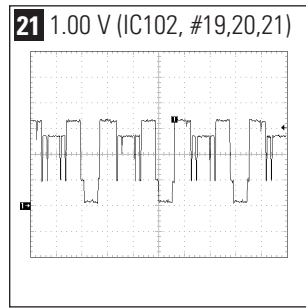
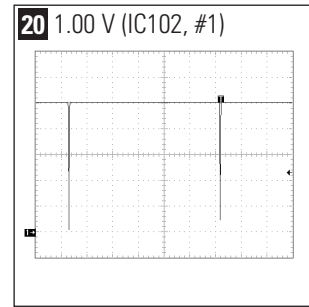
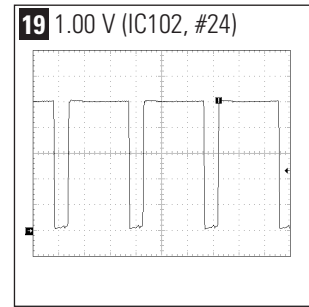
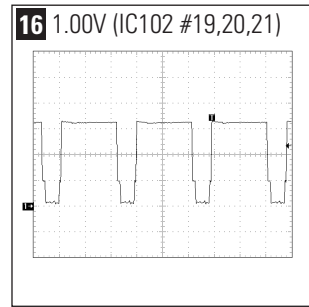
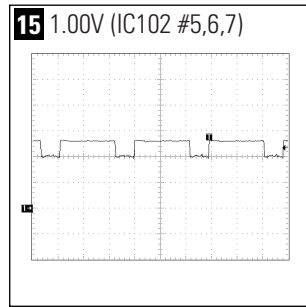


\* This Document can not be used without Samsung's authorization.

### 11-3 LE15V\* SZ Video Schematic Diagram

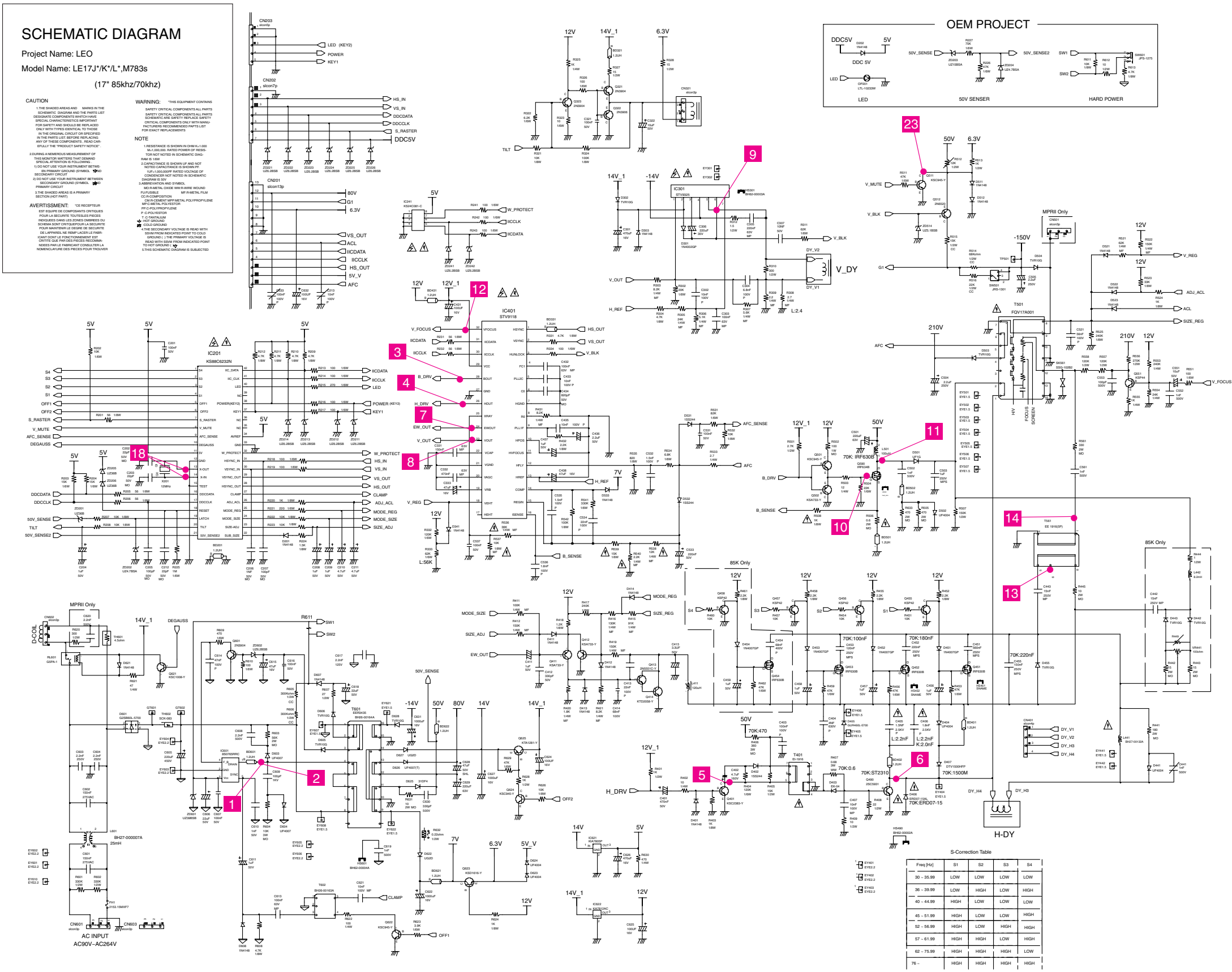


11 Schematic Diagrams

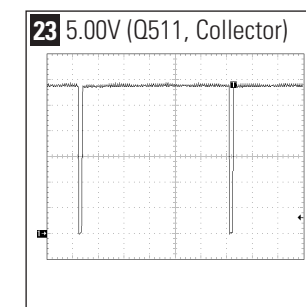
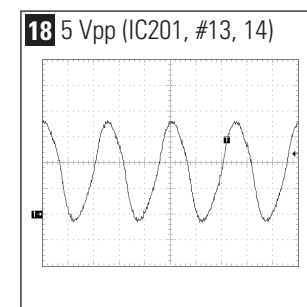
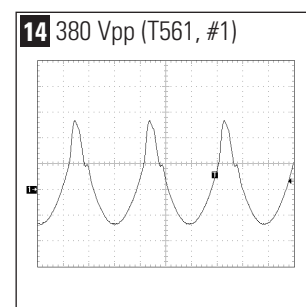
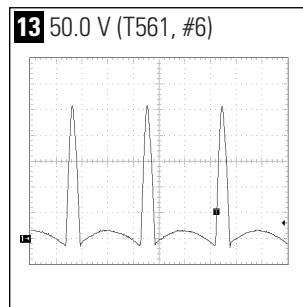
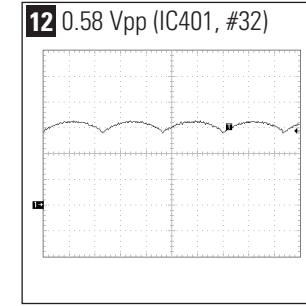
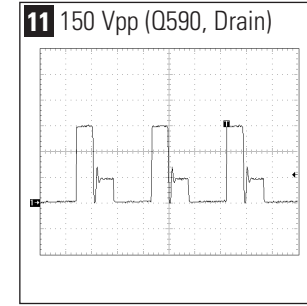
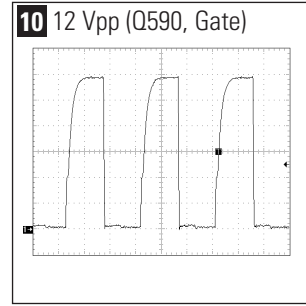
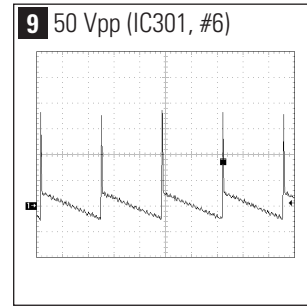
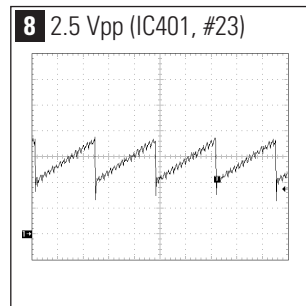
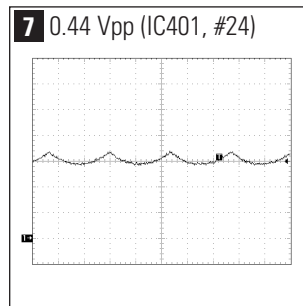
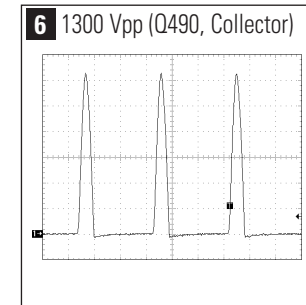
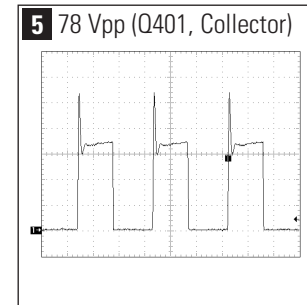
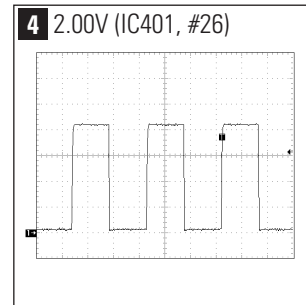
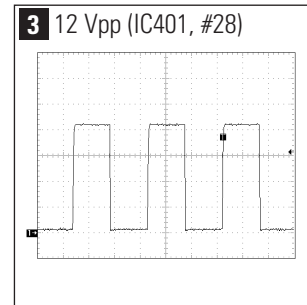
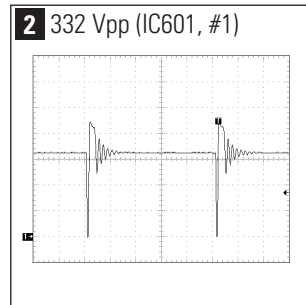
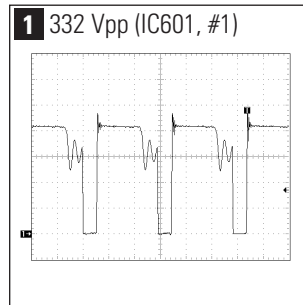


\* This Document can not be used without Samsung's authorization.

### 11-4 LE17LS/LE17LT/LE17KS/LE17KT/LE17JS/LE17JT Main Schematic Diagram



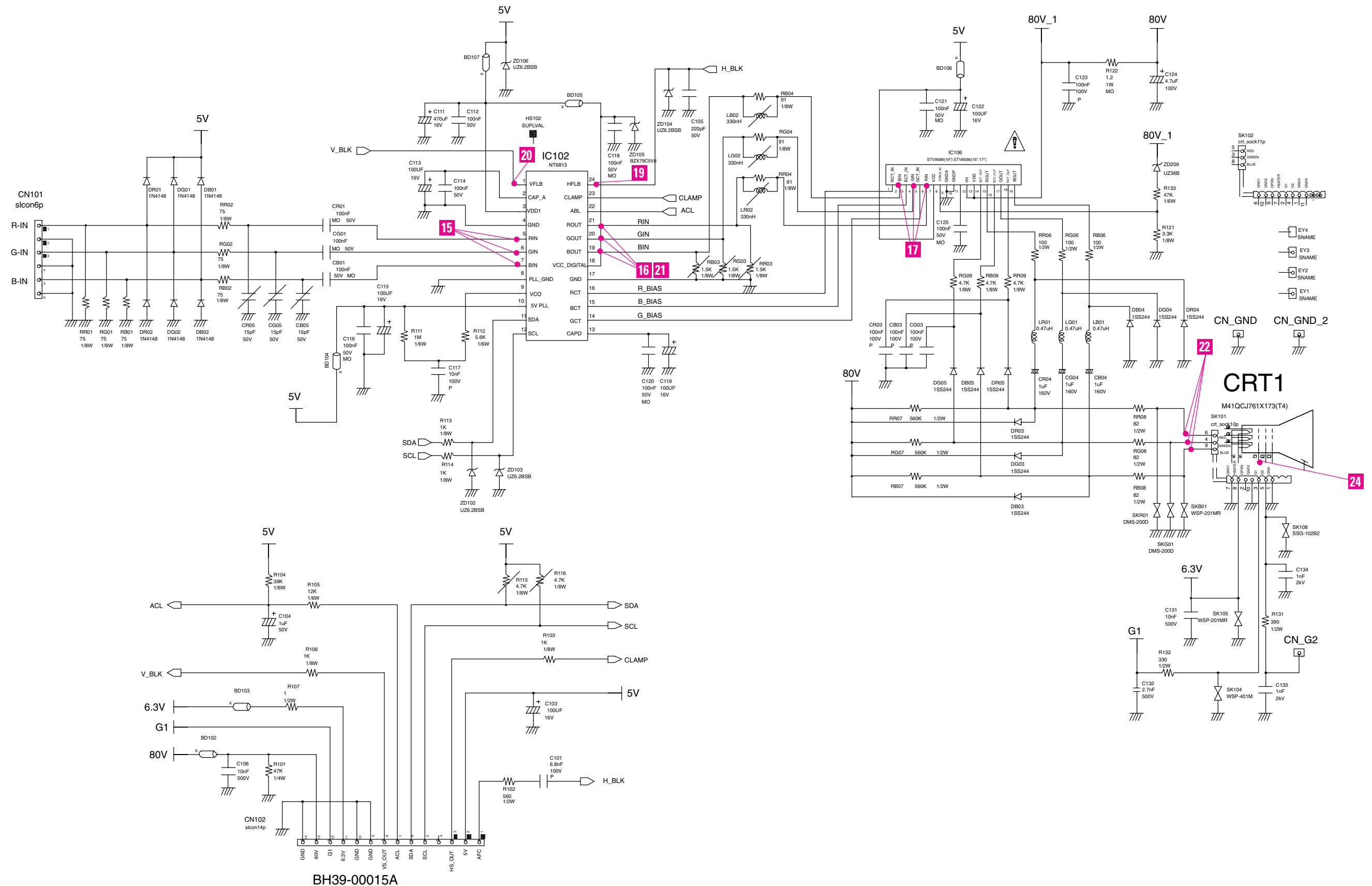
11 Schematic Diagrams





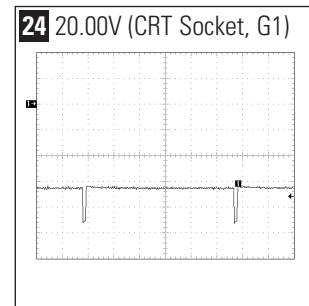
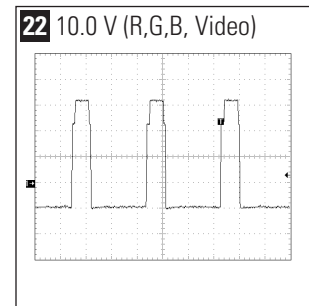
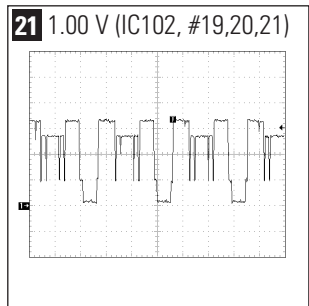
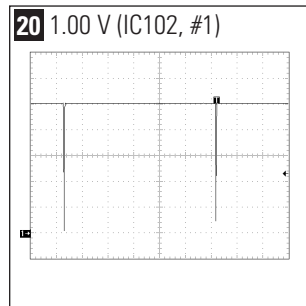
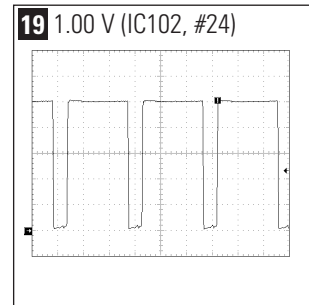
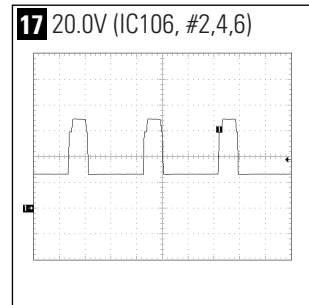
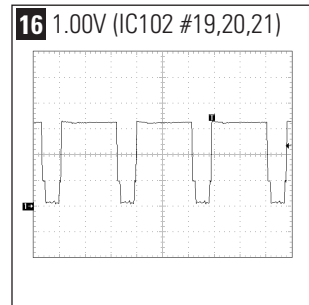
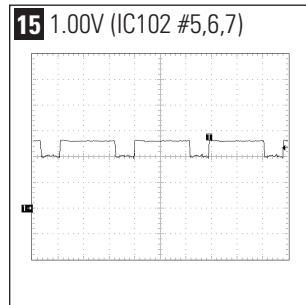
\* This Document can not be used without Samsung's authorization.

### 11-5 LE17KS/LE17KT/LE17JS/LE17JT Video Schematic Diagram



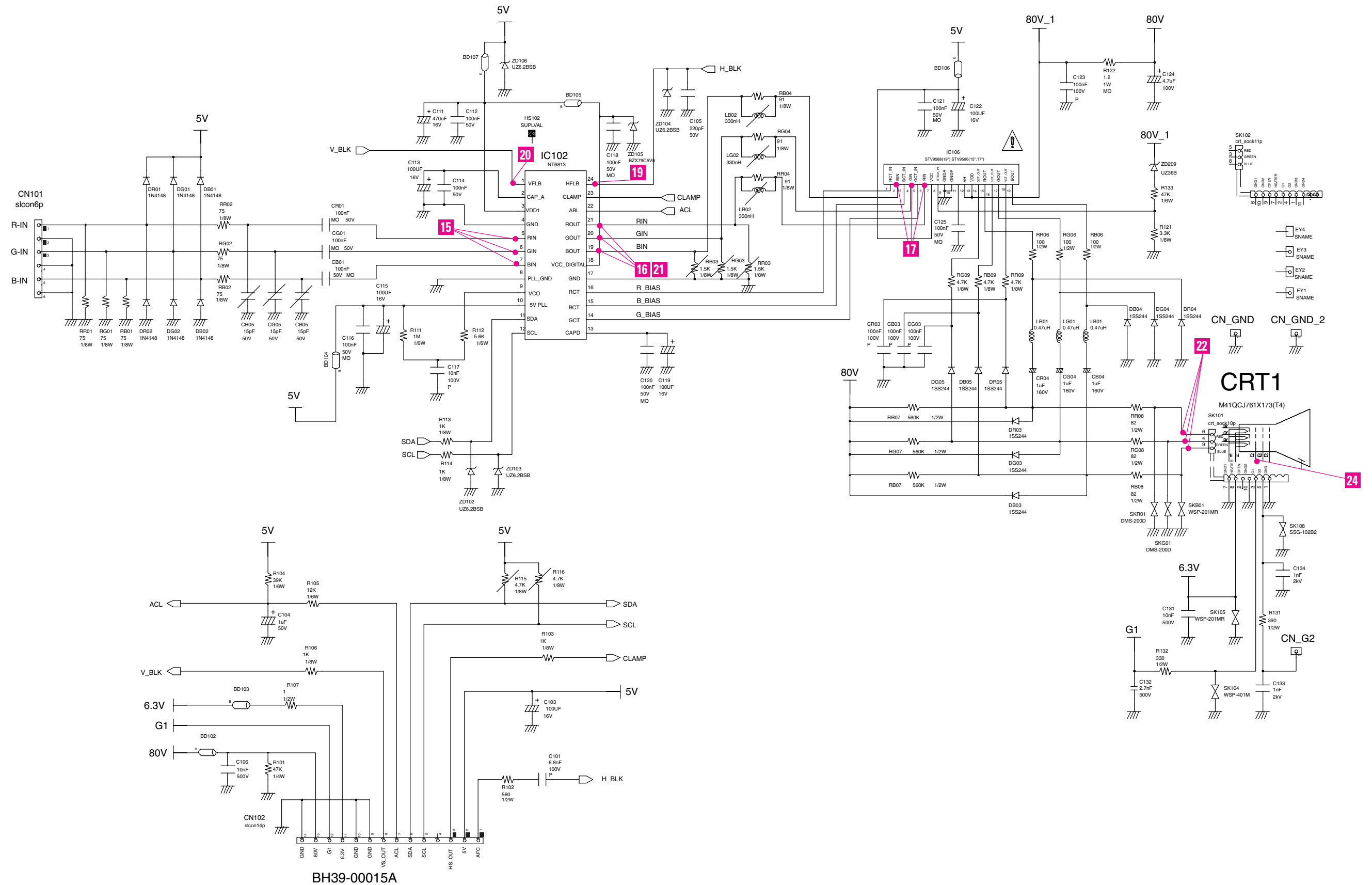
BH39-00015A

11 Schematic Diagrams



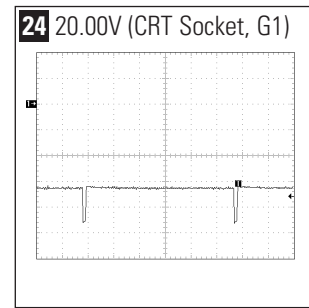
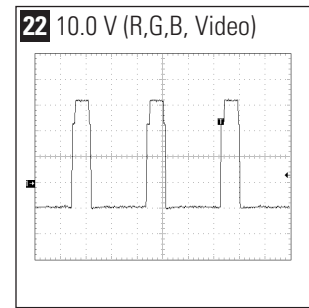
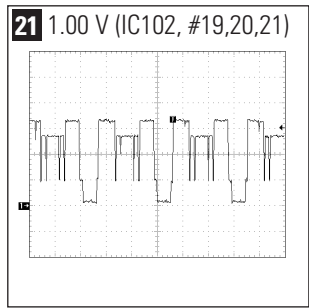
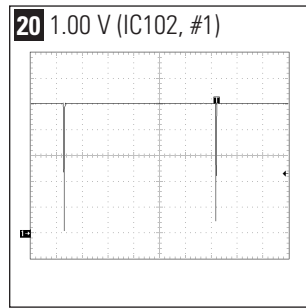
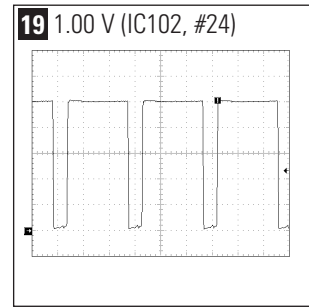
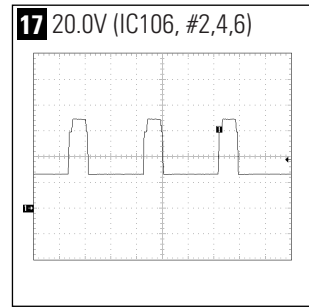
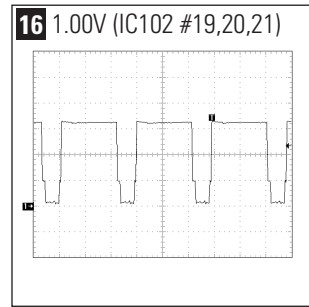
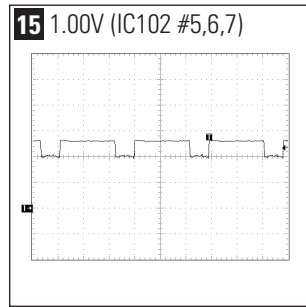
\* This Document can not be used without Samsung's authorization.

### 11-6 LE17LS/LE17LT SN Video Schematic Diagram



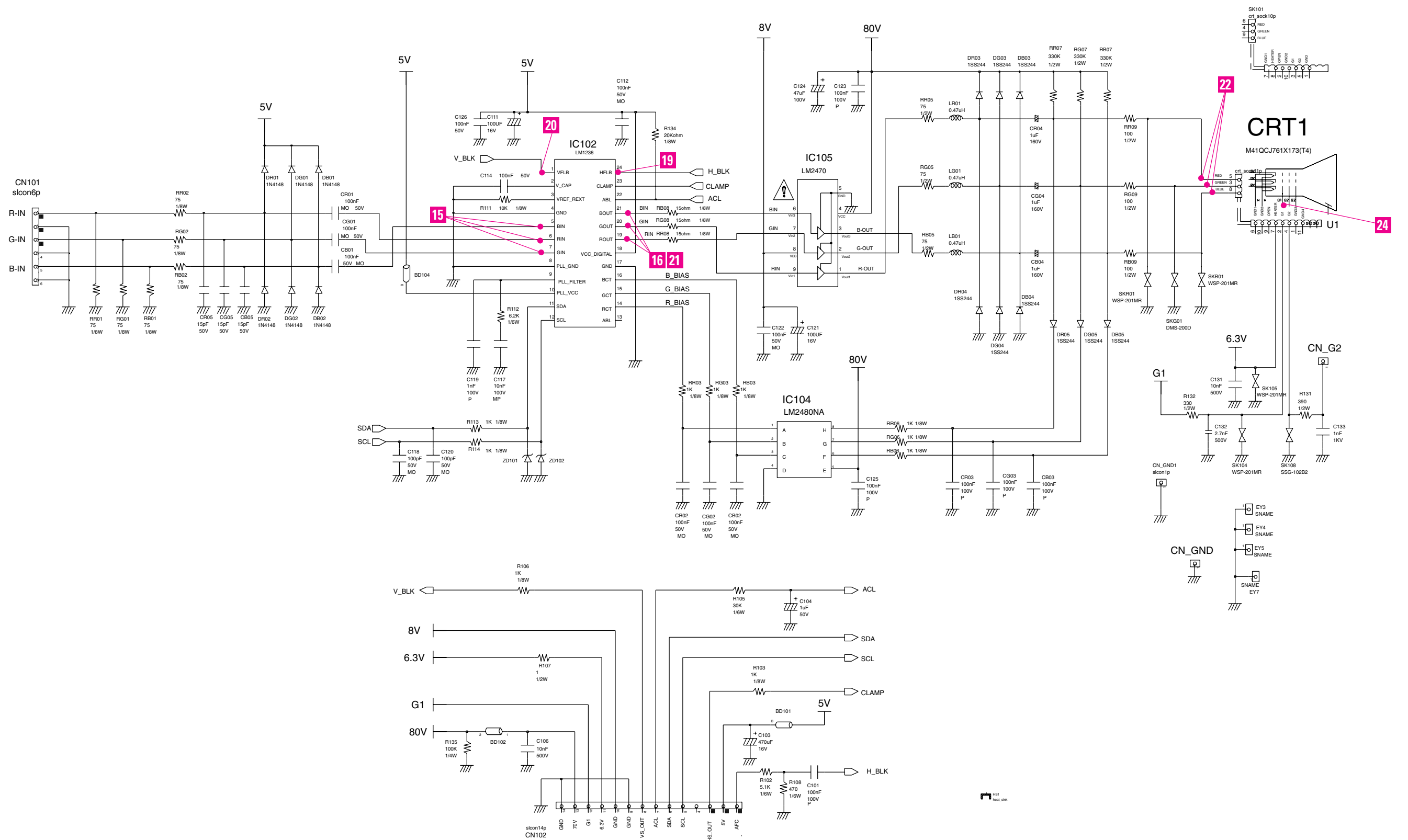
BH39-00015A

11 Schematic Diagrams



\* This Document can not be used without Samsung's authorization.

### 11-7 LE17LS/LE17LT SZ Video Schematic Diagram



11 Schematic Diagrams

