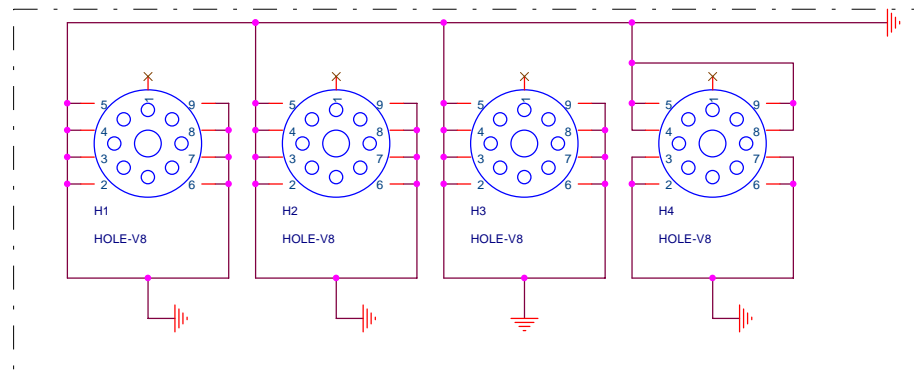
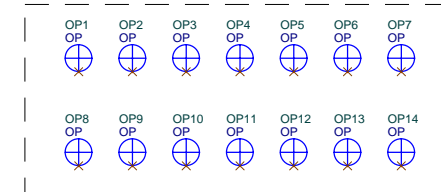


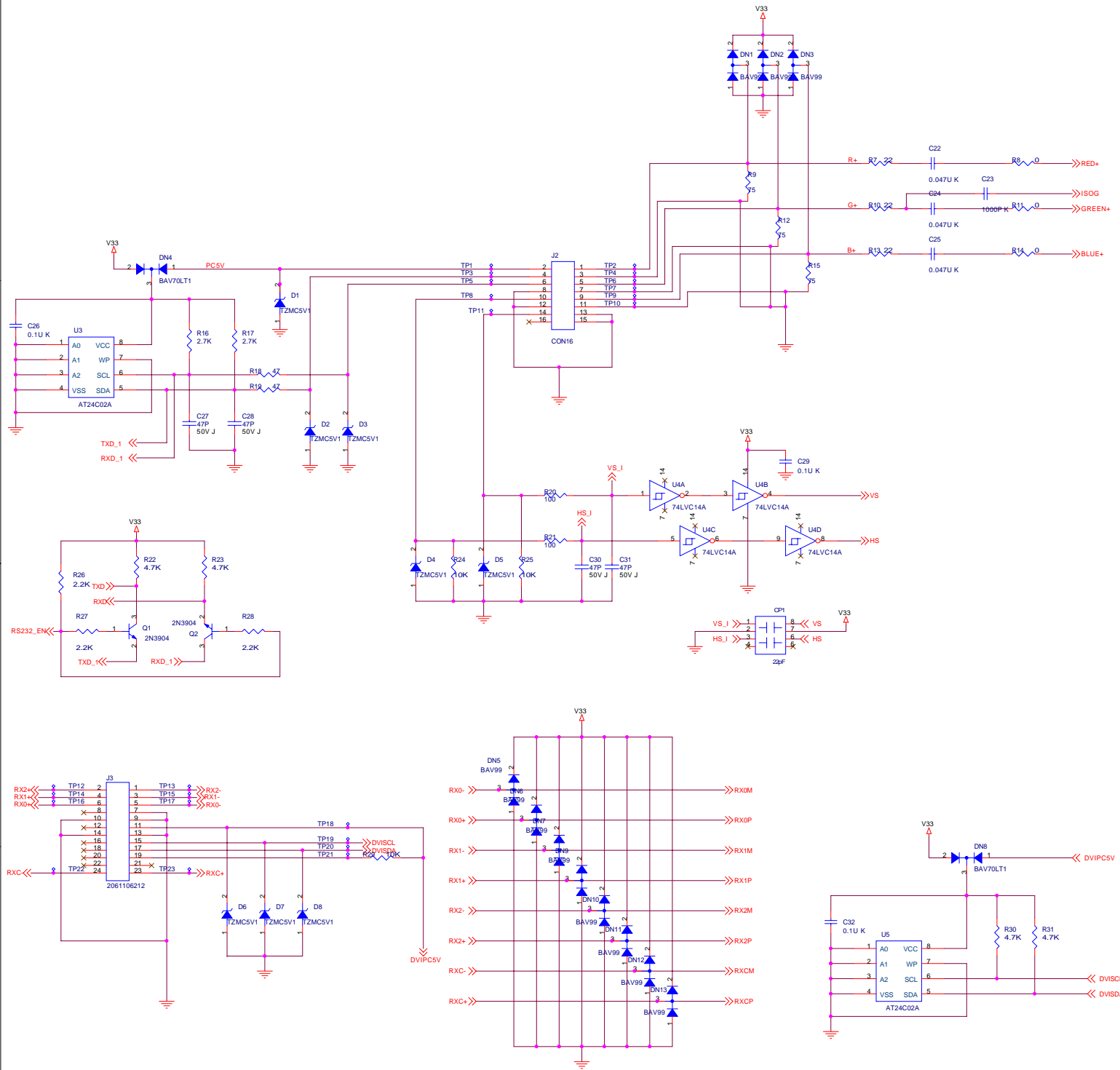
Screw Holes



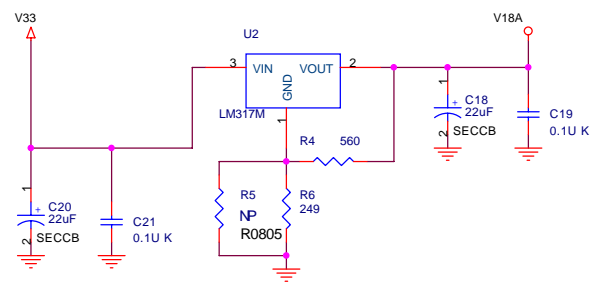
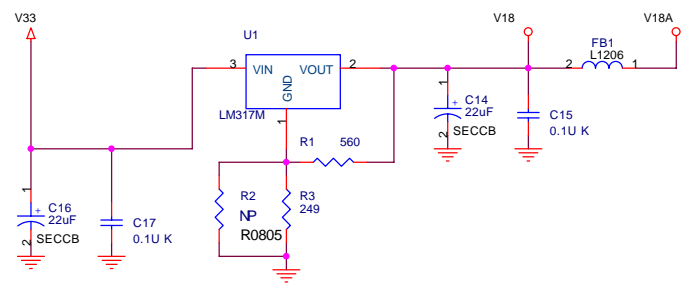
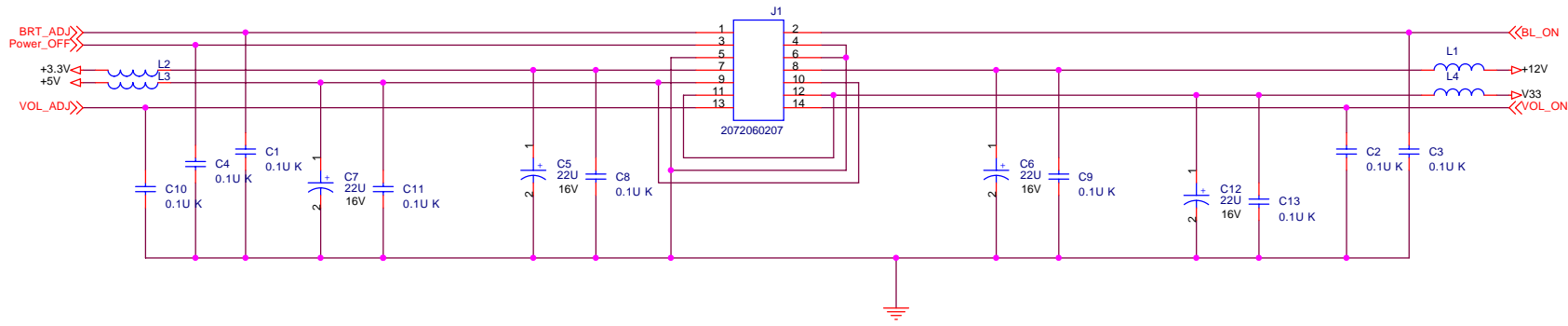
Optical Points



<b>Beng Corporation</b>				
Project Code 99.L8372.001		Model Name Q7T3-CPT		OEM/ODM Model Name OEM/ODM
Title INTERFACE BOARD				
Size <Size>	PCB P/N 48.L8301.S02	PCB Rev. S02	Document Number 99.L8372.000-C3-304-002	Rev. 0
Date: Tuesday, March 18, 2003			Sheet 1 of 7	
Prepared By ANGEL HU		Reviewed By ALLEN PC LEE		Approved By DAVEN WU

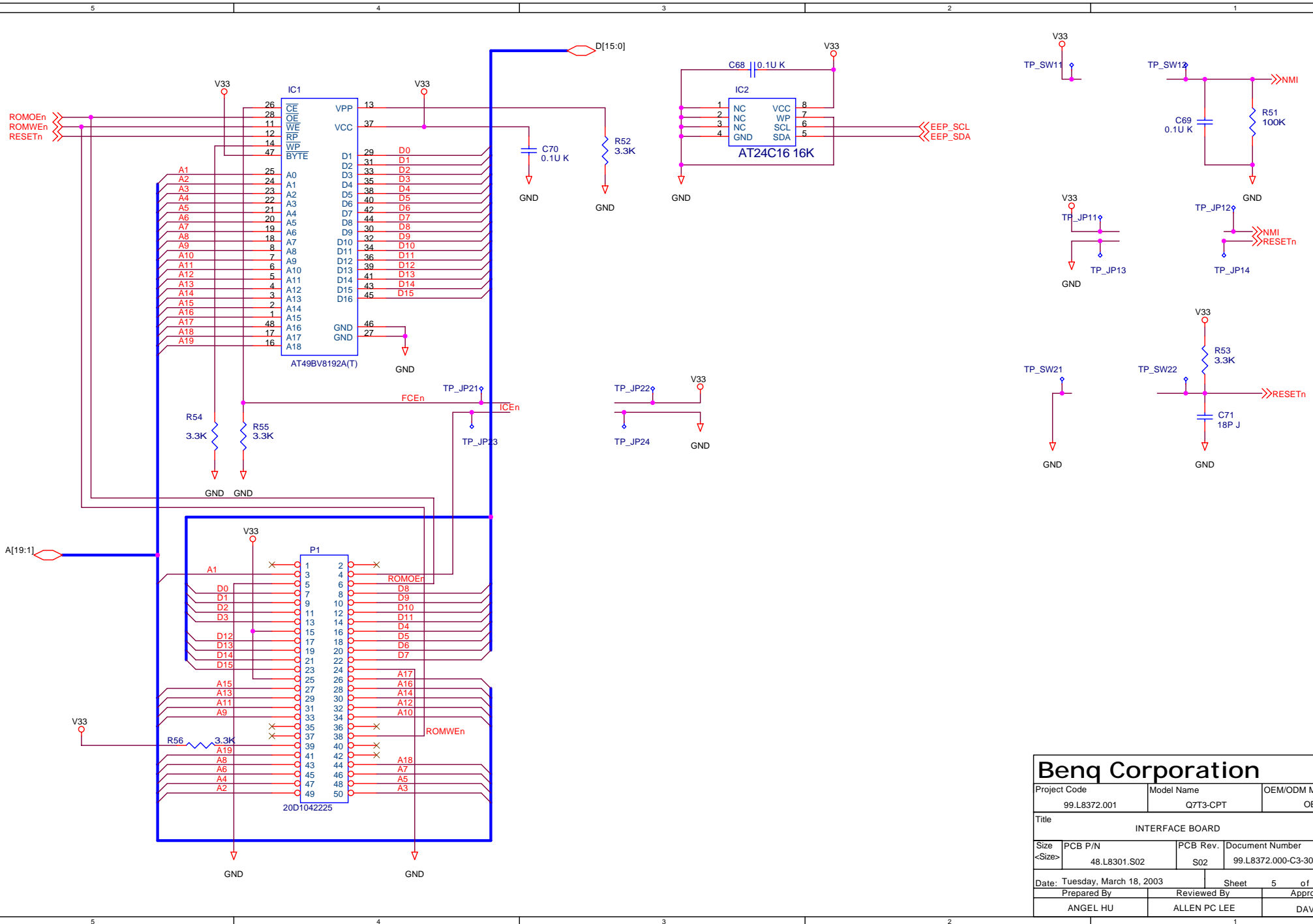


<b>Benq Corporation</b>			
Project Code	Model Name	OEM/ODM Model Name	
99.L8372.001	Q7T3-CPT	OEM/ODM	
Title			
INTERFACE BOARD			
Size	PCB P/N	PCB Rev.	Document Number
<Size>	48.L8301.S02	S02	99.L8372.000-C3-304-002
Date:	Tuesday, March 18, 2003	Sheet	2 of 7
Prepared By	Reviewed By	Approved By	
ANGEL HU	ALLEN PC LEE	DAVEN WU	

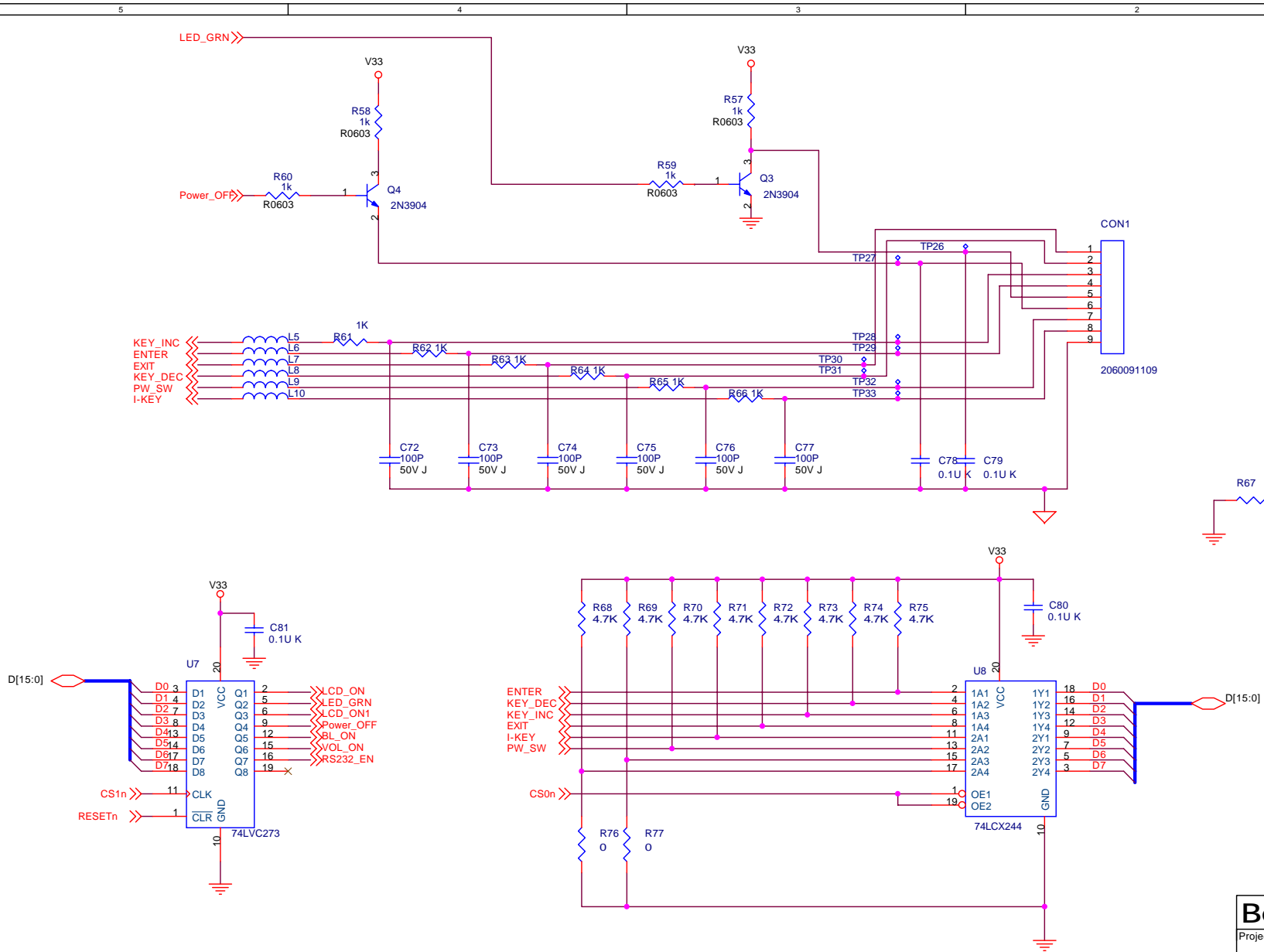


<b>Benq Corporation</b>			
Project Code	Model Name	OEM/ODM Model Name	
99.L8372.001	Q7T3-CPT	OEM/ODM	
Title			
INTERFACE BOARD			
Size	PCB P/N	PCB Rev.	Document Number
<Size>	48.L8301.S02	S02	99.L8372.000-C3-304-002
Date:	Tuesday, March 18, 2003	Sheet	2 of 7
Prepared By	Reviewed By	Approved By	
ANGEL HU	ALLEN PC LEE	DAVEN WU	

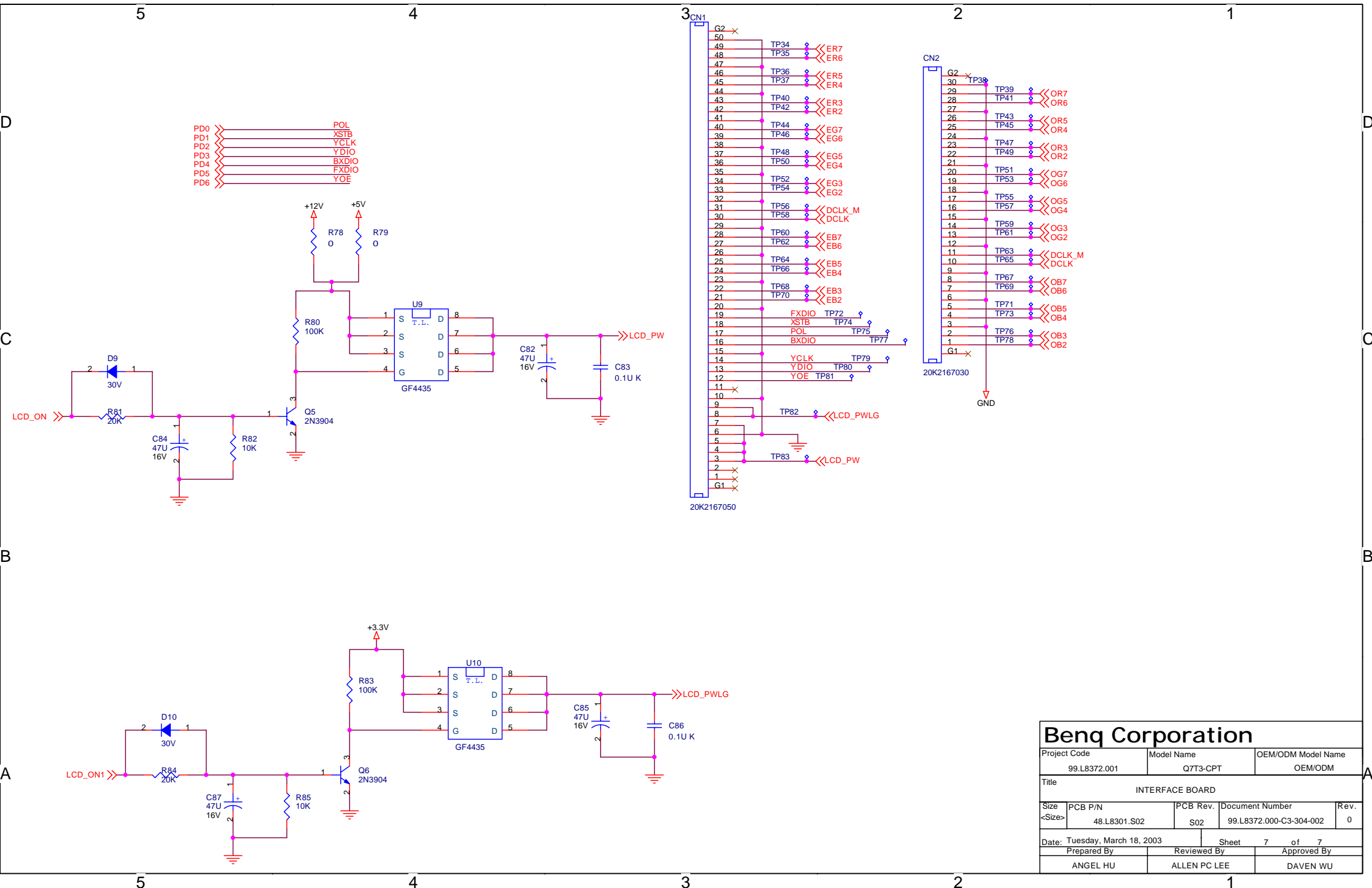




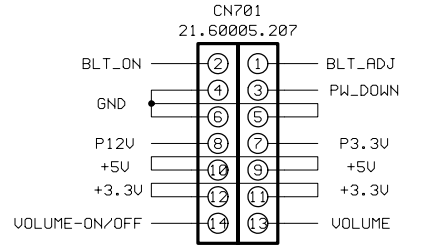
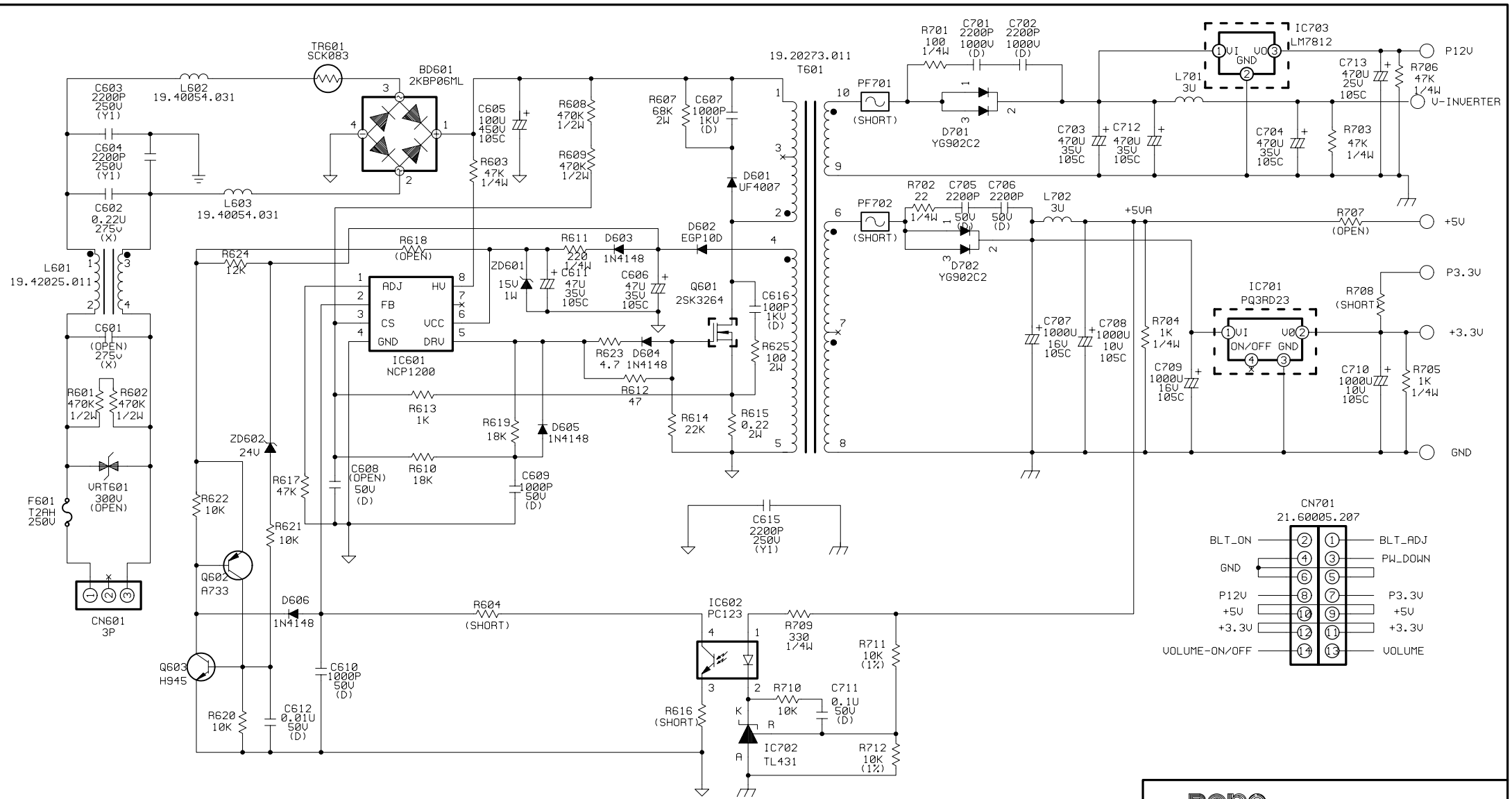
Benq Corporation				
Project Code	Model Name	OEM/ODM Model Name		
99.L8372.001	Q7T3-CPT	OEM/ODM		
Title				
INTERFACE BOARD				
Size	PCB P/N	PCB Rev.	Document Number	Rev.
<Size>	48.L8301.S02	S02	99.L8372.000-C3-304-002	0
Date: Tuesday, March 18, 2003		Sheet 5 of 7		
Prepared By		Reviewed By		Approved By
ANGEL HU		ALLEN PC LEE		DAVEN WU



<b>Benq Corporation</b>				
Project Code	Model Name	OEM/ODM Model Name		
99.L8372.001	Q7T3-CPT	OEM/ODM		
Title				
INTERFACE BOARD				
Size	PCB P/N	PCB Rev.	Document Number	Rev.
<Size>	48.L8301.S02	S02	99.L8372.000-C3-304-002	0
Date: Tuesday, March 18, 2003		Sheet 6 of 7		
Prepared By		Reviewed By		Approved By
ANGEL HU		ALLEN PC LEE		DAVEN WU



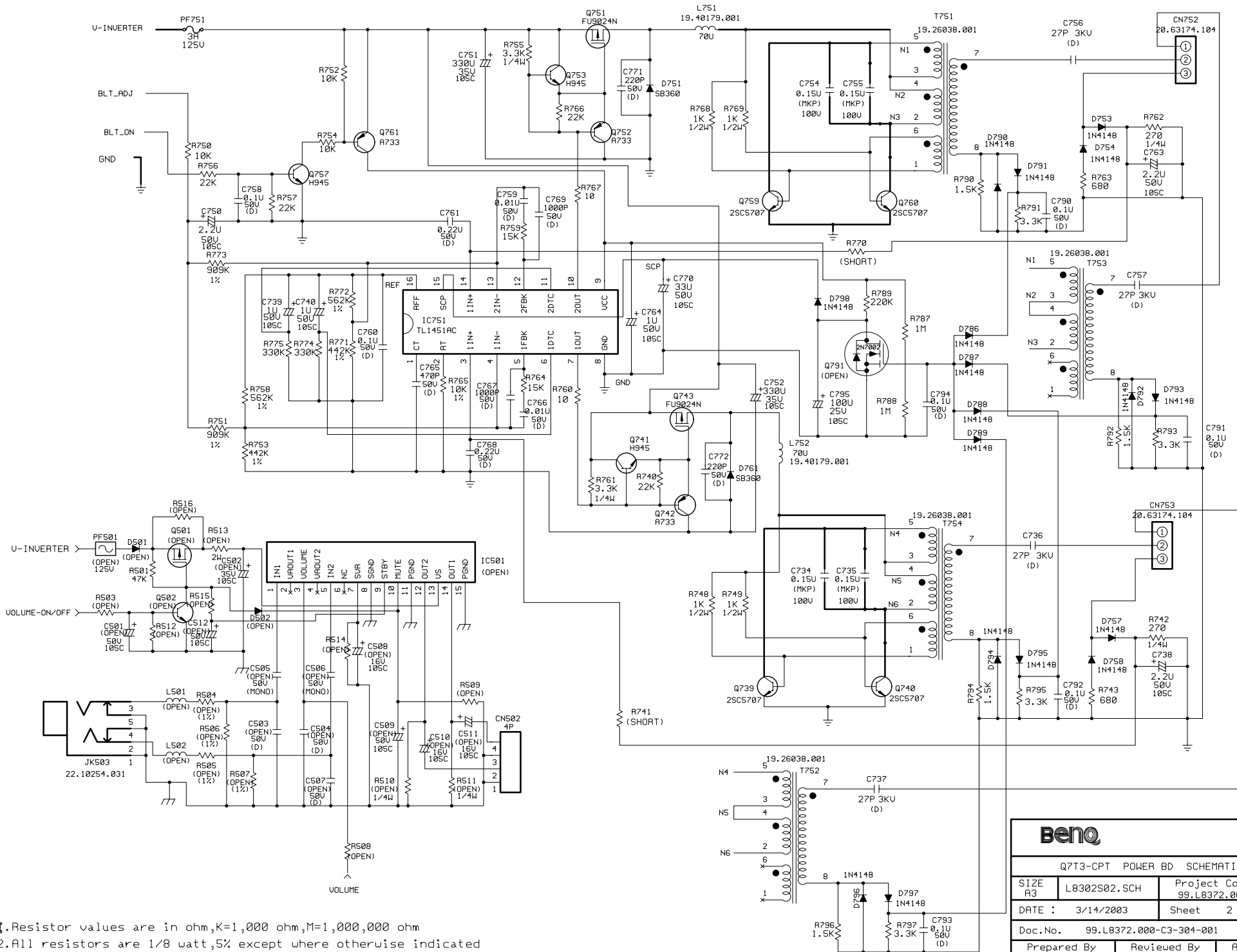
Benq Corporation				
Project Code	Model Name	OEM/ODM Model Name		
99.L8372.001	Q7T3-CPT	OEM/ODM		
Title INTERFACE BOARD				
Size <Size>	PCB P/N	PCB Rev.	Document Number	Rev.
	48.L8301.S02	S02	99.L8372.000-C3-304-002	0
Date:	Tuesday, March 18, 2003	Sheet	7	of 7
Prepared By	Reviewed By	Approved By		
ANGEL HU	ALLEN PC LEE	DAVEN WU		



<b>BENQ</b>			
Q7T3-CPT POWER BD SCHEMATICS			
SIZE A4	L8302S02.SCH	Project Code. 99.L8372.001	REV. 0
DATE : 3/14/2003	Sheet 1 OF 2		
Doc. No. 99.L8372.000-C3-304-001			
Prepared By	Reviewed By	Approved By	
ANGEL HU 3/14/2003	GEORGE SHEU 3/14/2003	H.J. WONG 3/14/2003	

NOTES:  
 1. Resistor values are in ohm, K=1,000 ohm, M=1,000,000 ohm  
 2. All resistors are 1/8 watt, 5% except where otherwise indicated  
 3.  $\nabla$   $\rightarrow$   $\pm$  Represents PCB common ground.





NOTES: 1. Resistor values are in ohm, K=1,000 ohm, M=1,000,000 ohm  
 2. All resistors are 1/8 watt, 5% except where otherwise indicated  
 3.  $\perp$   $\nabla$   $\equiv$  Represents PCB common ground.

<b>BenQ</b>			
Q73-CPT POWER BD SCHEMATICS			
SIZE A3	L8302S02.SCH	Project Code. 99.L8372.001	REV. 1
DATE :	3/14/2003	Sheet 2	OF 2
Doc.No. 99.L8372.000-C3-304-001			
Prepared By ANGEL HU 3/14/2003	Reviewed By GEORGE SHEU 3/14/2003	Approved By H.J. HONG 3/14/2003	