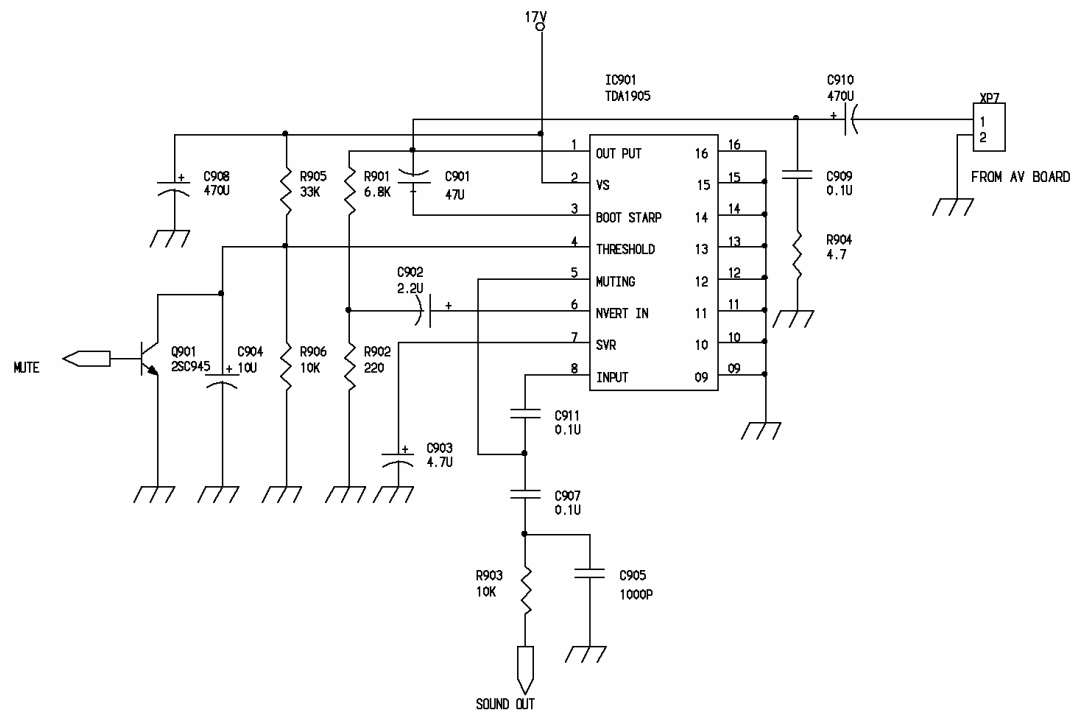
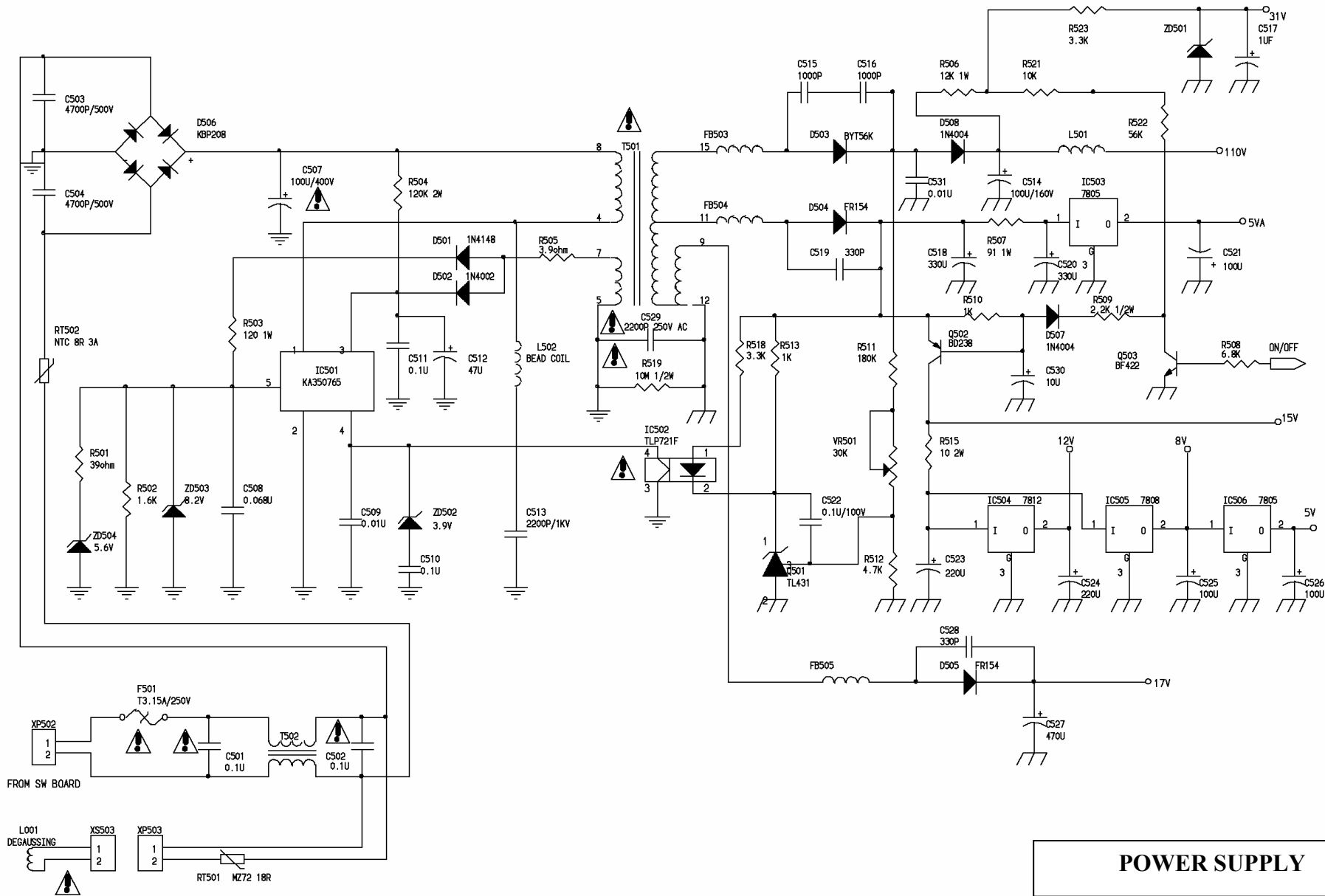


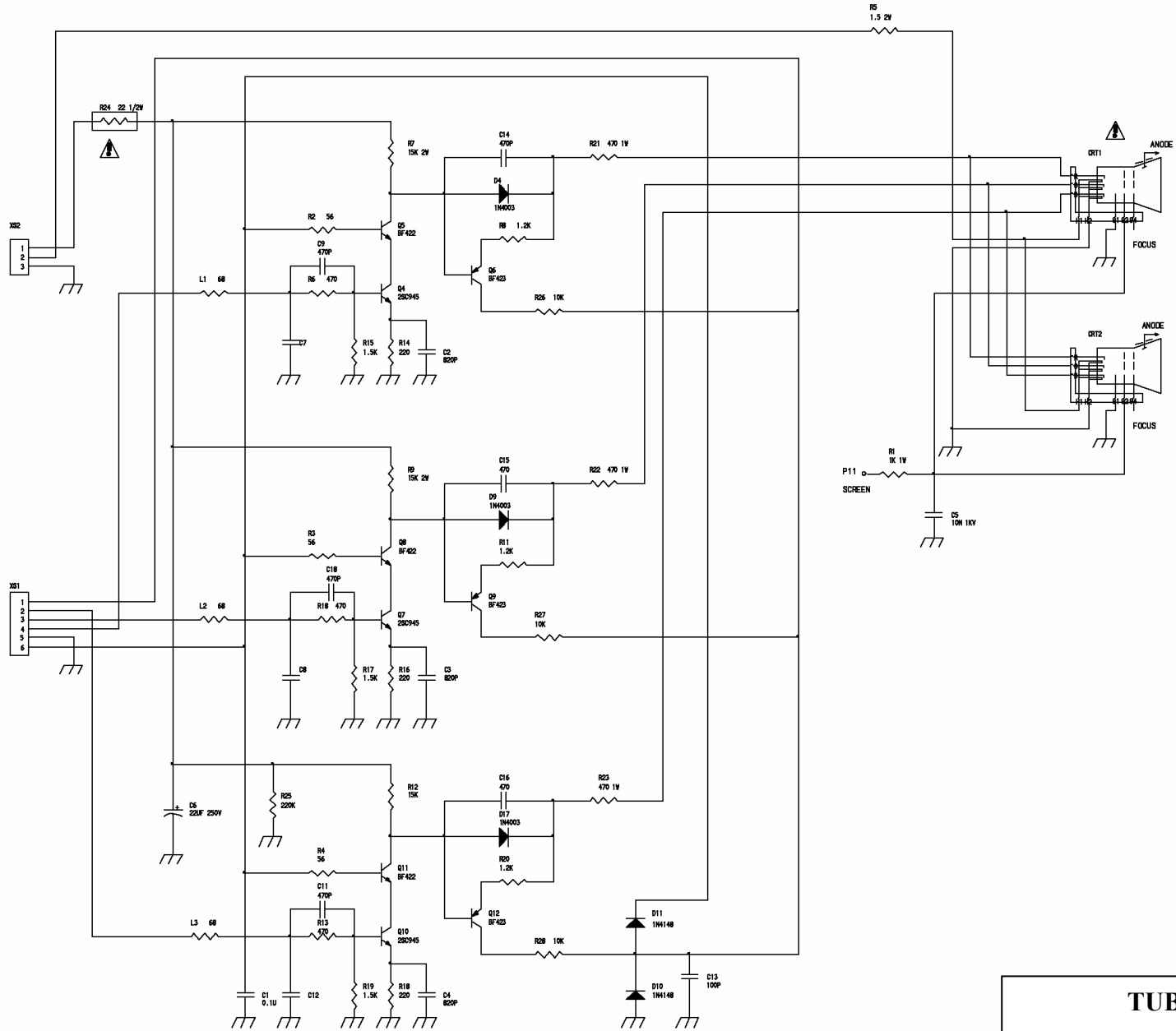
**AV and POWER SWITCH**



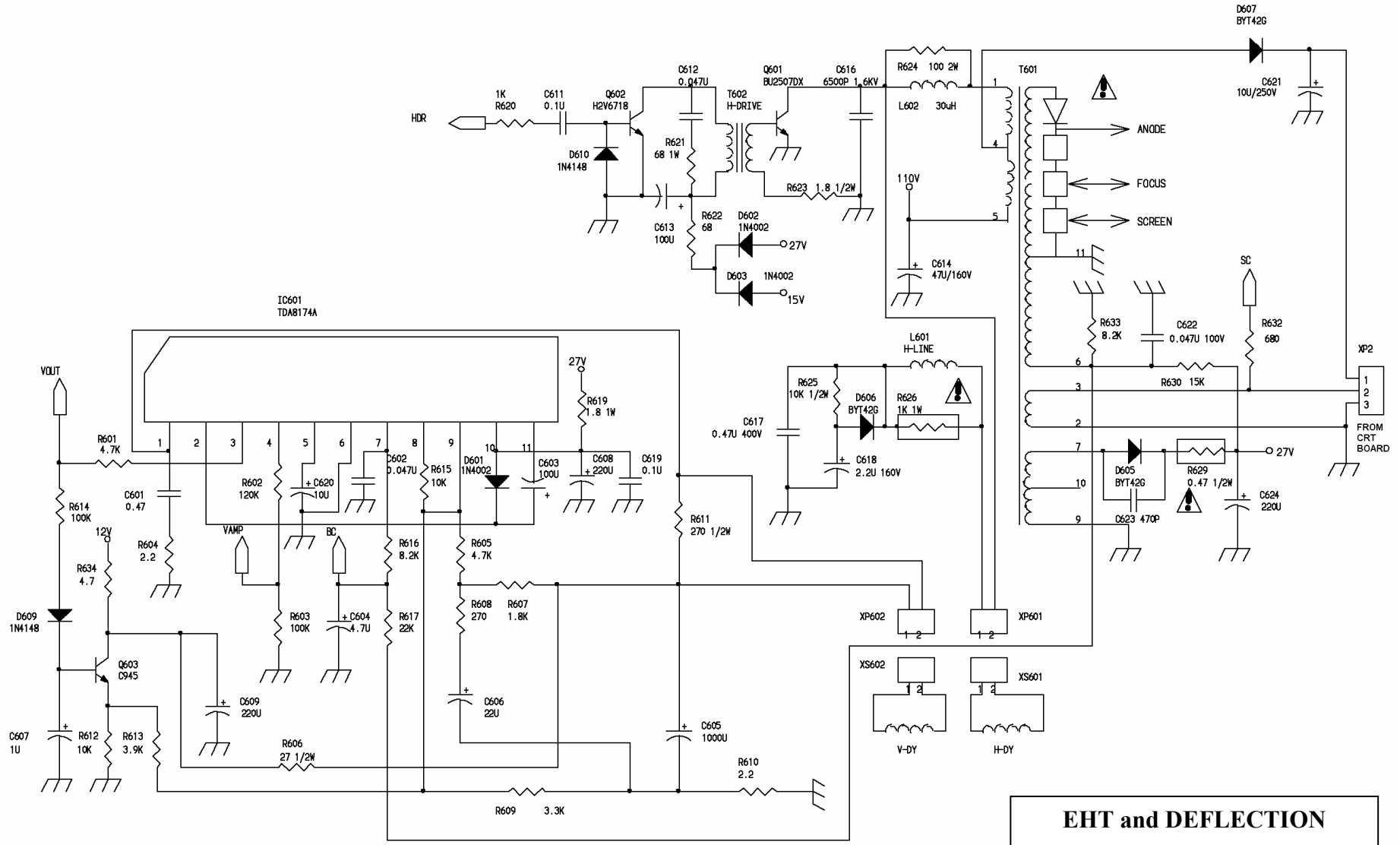
**AUDIO AMPLIFIER**



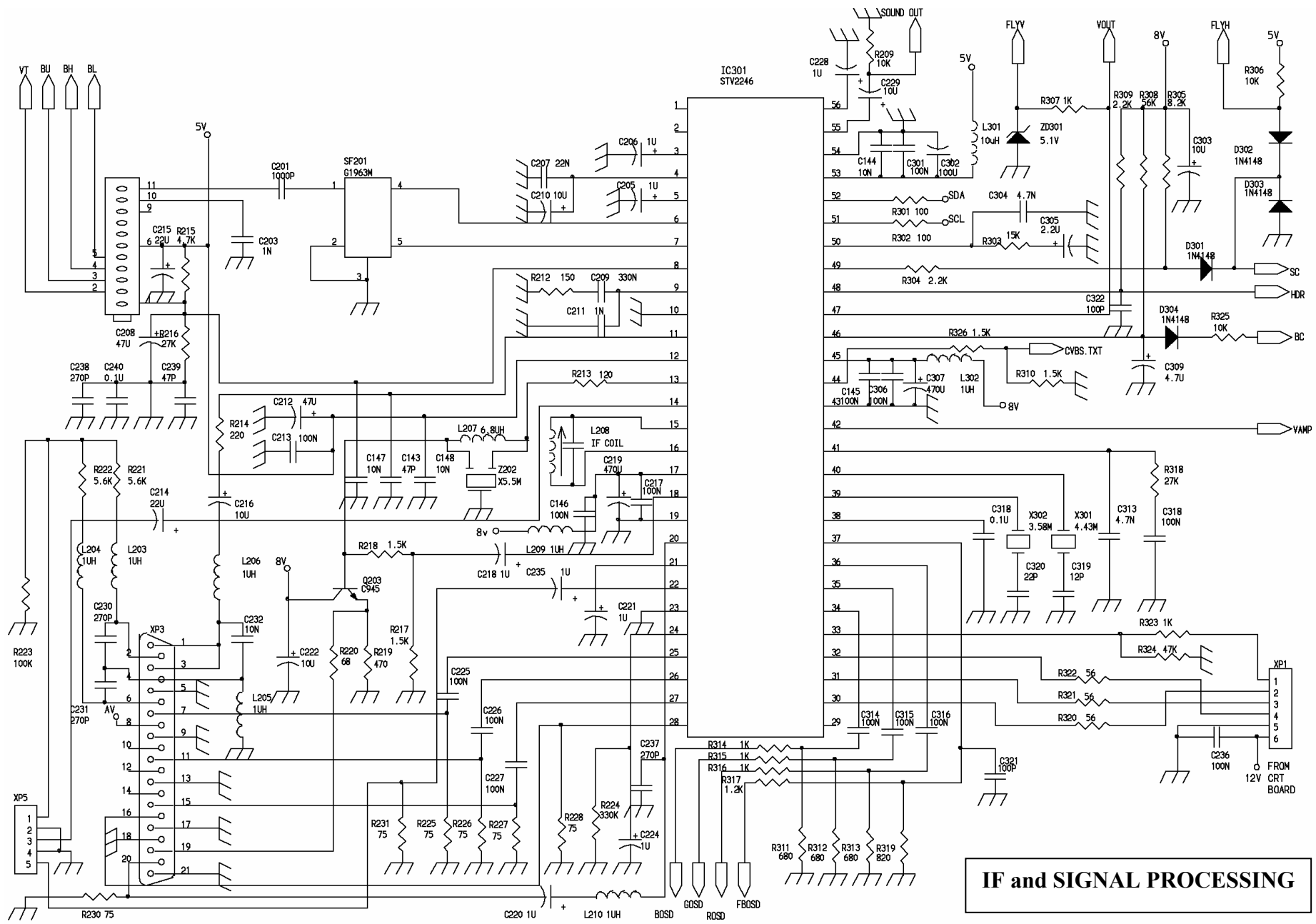
**POWER SUPPLY**



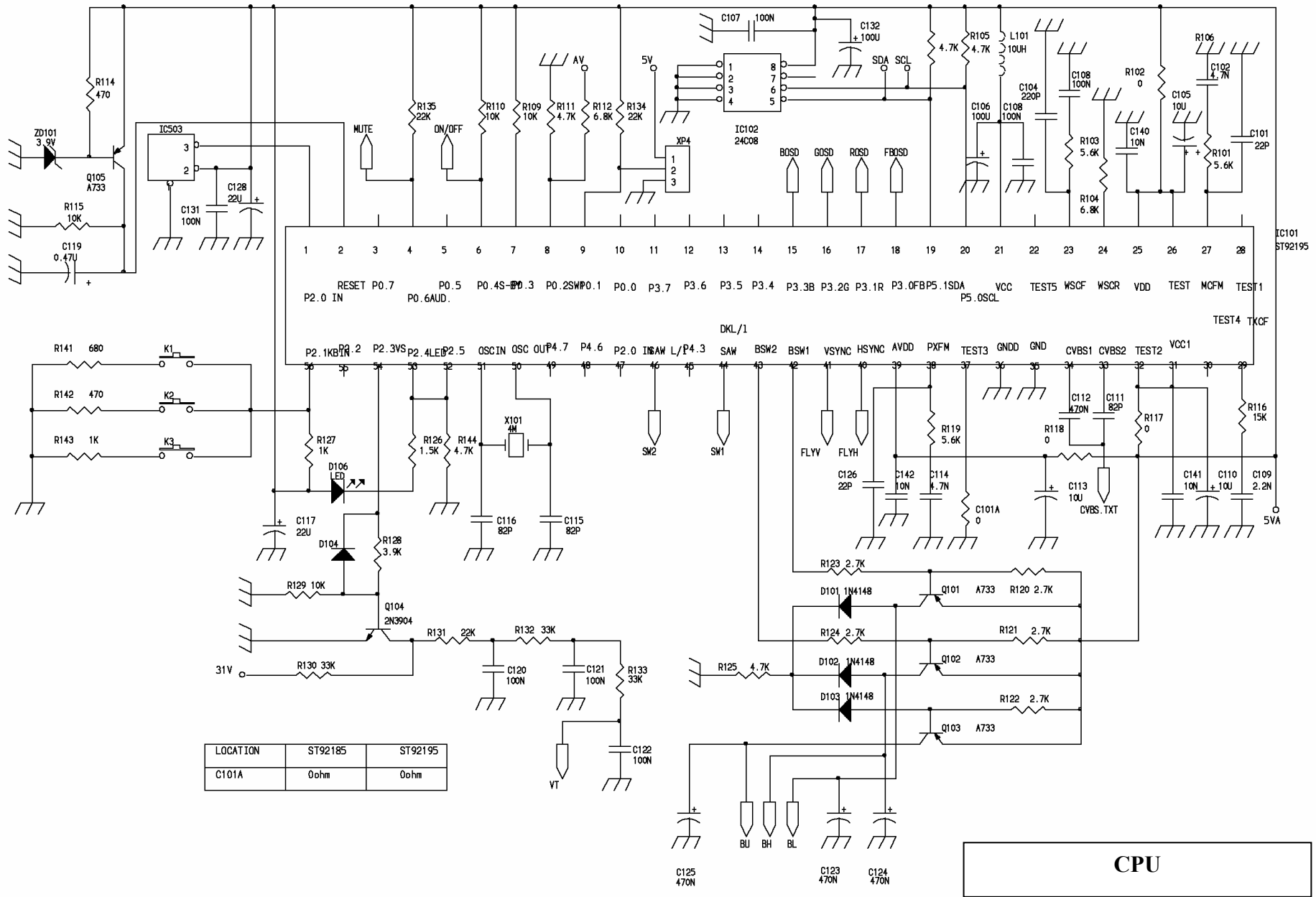
**TUBE BASE**



**EHT and DEFLECTION**



**IF and SIGNAL PROCESSING**



LOCATION	ST92185	ST92195
C101A	0ohm	0ohm

**CPU**