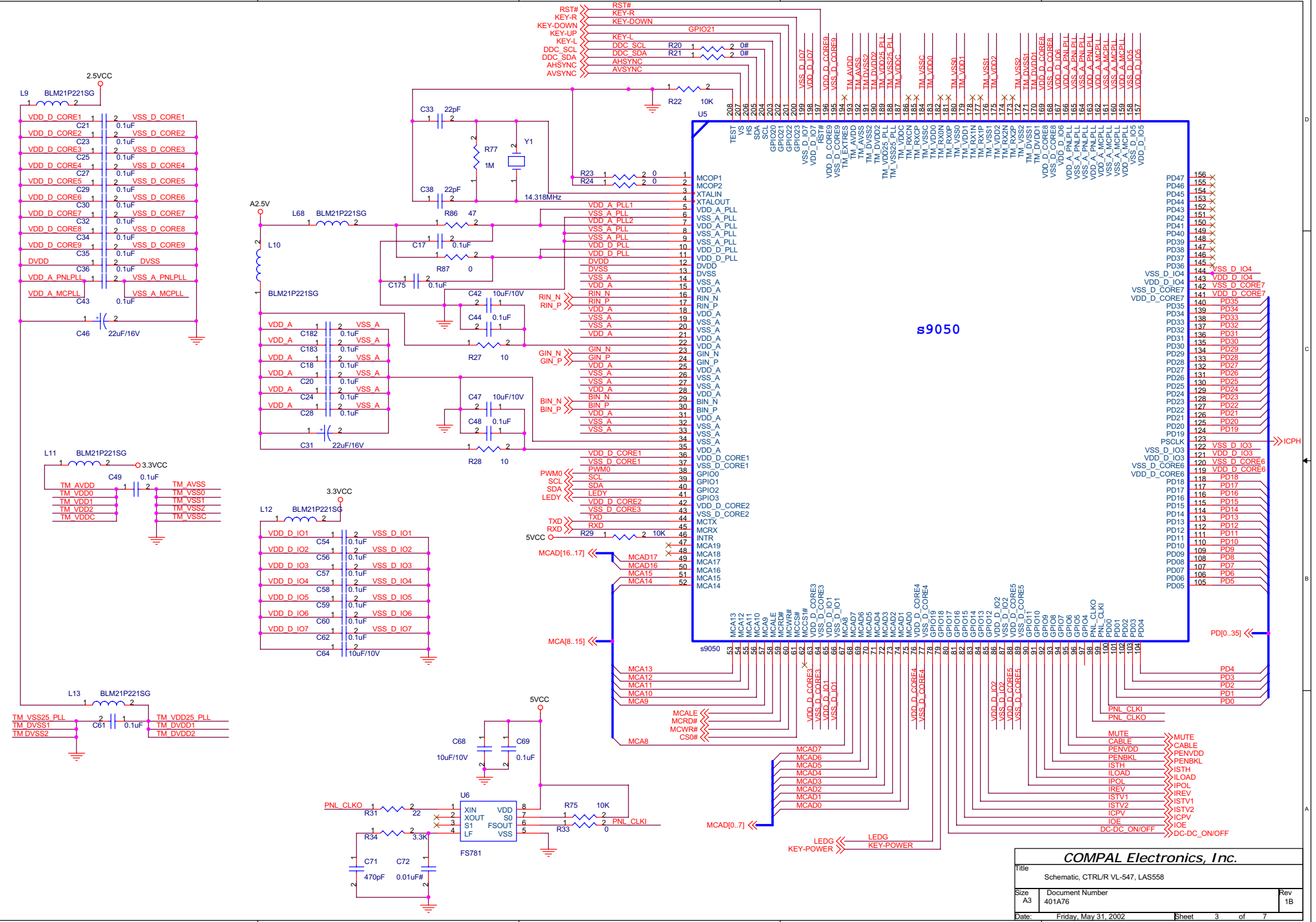
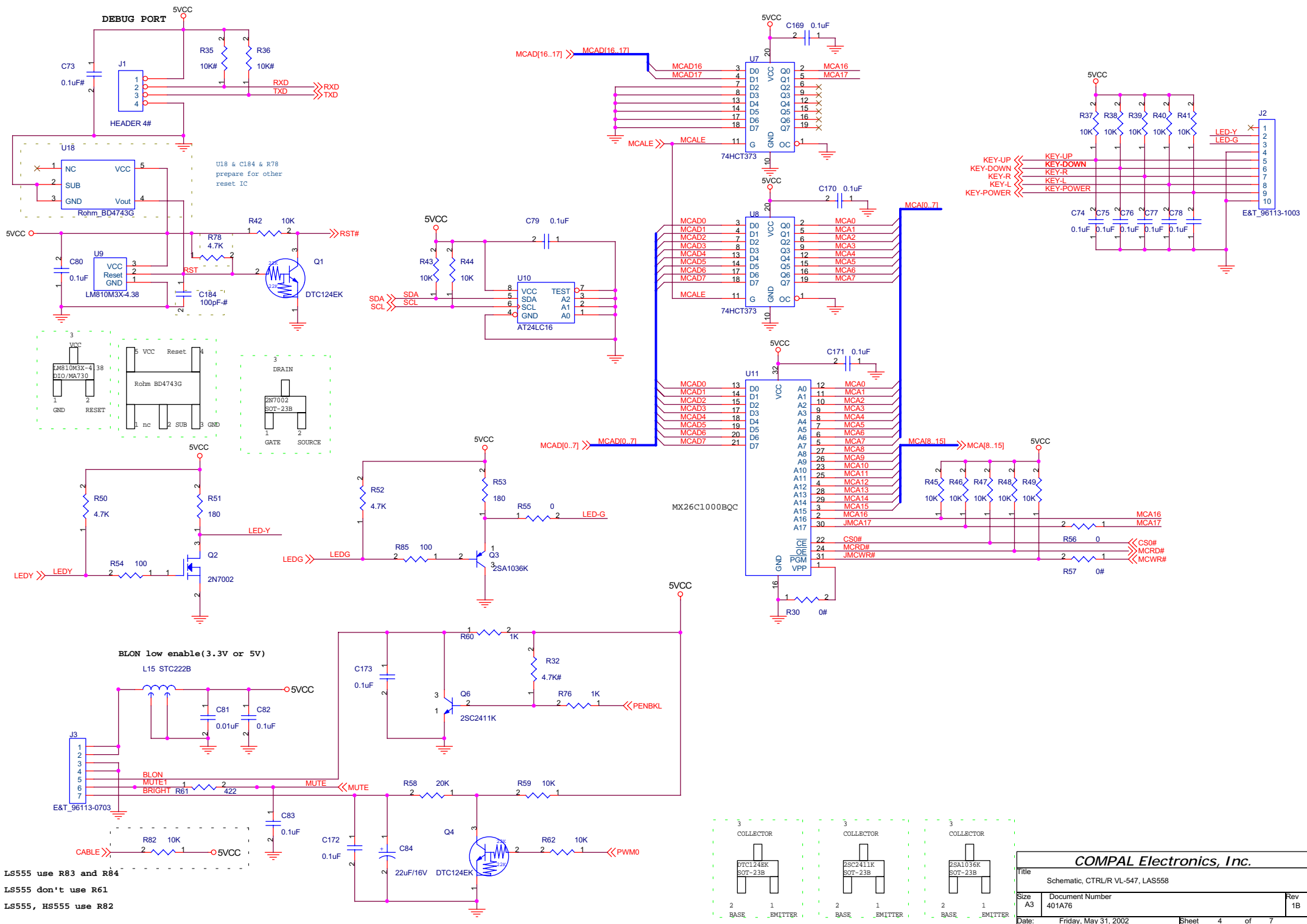


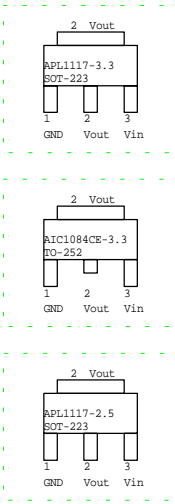
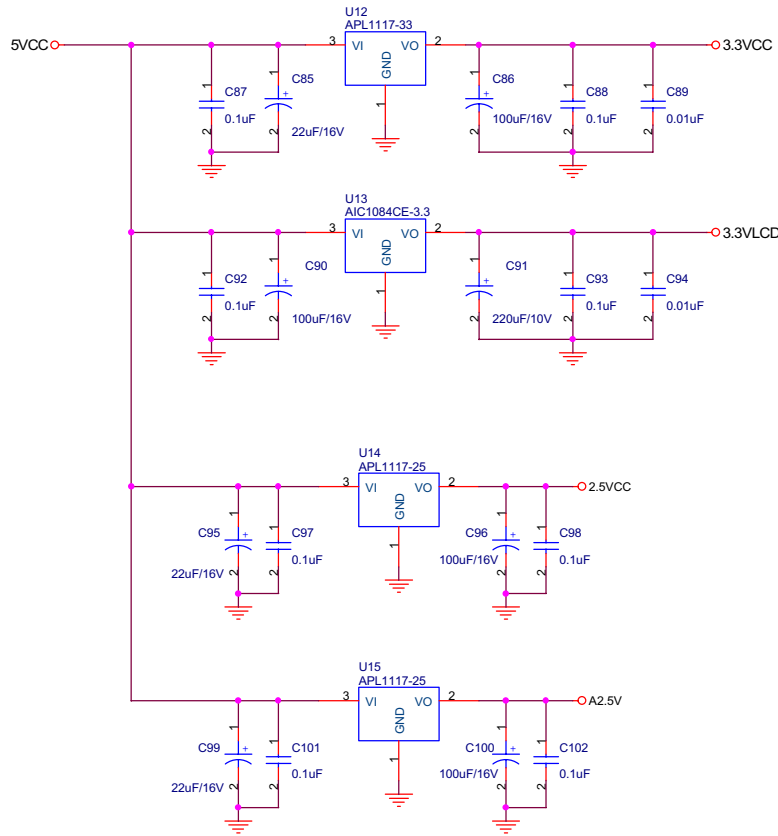
<b>COMPAL Electronics, Inc.</b>		
Title Schematic, CTRL/R VL-547, LAS558		
Size A3	Document Number 401A76	Rev 1B
Date: Friday, May 31, 2002	Sheet 2	of 7



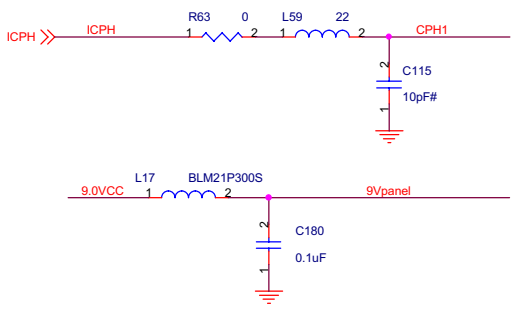
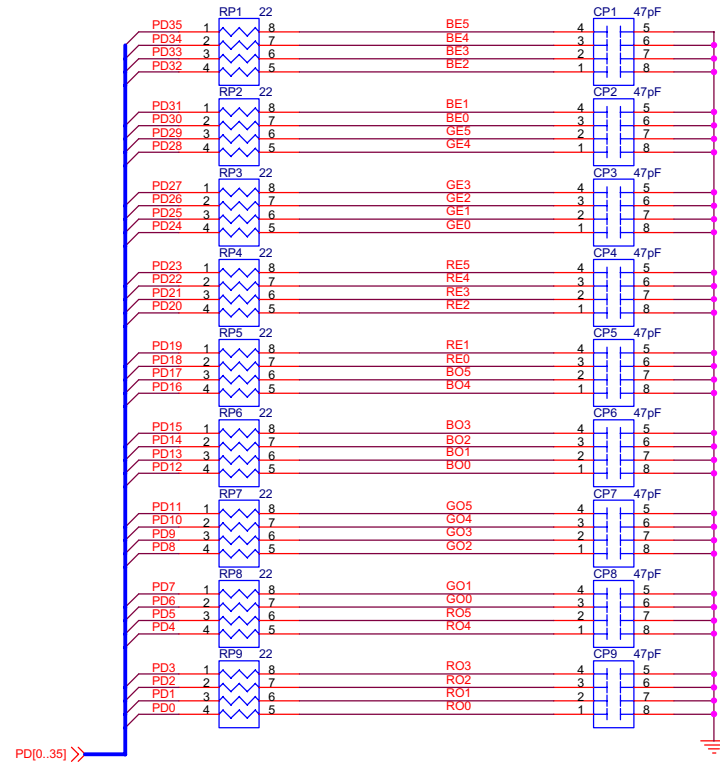


LS555 use R83 and R84  
 LS555 don't use R61  
 LS555, HS555 use R82

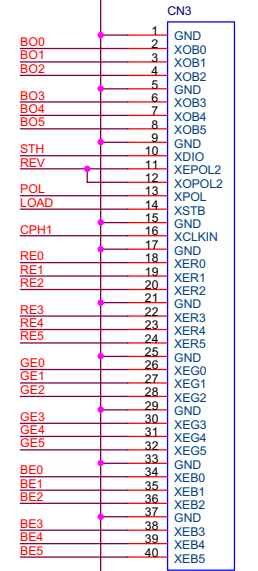
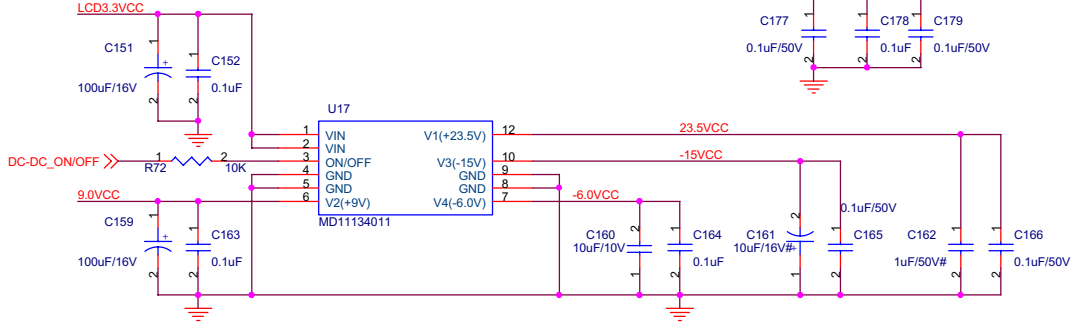
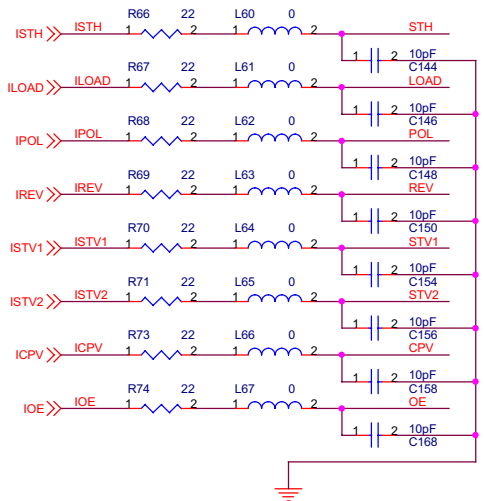
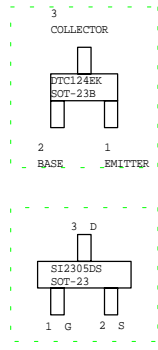
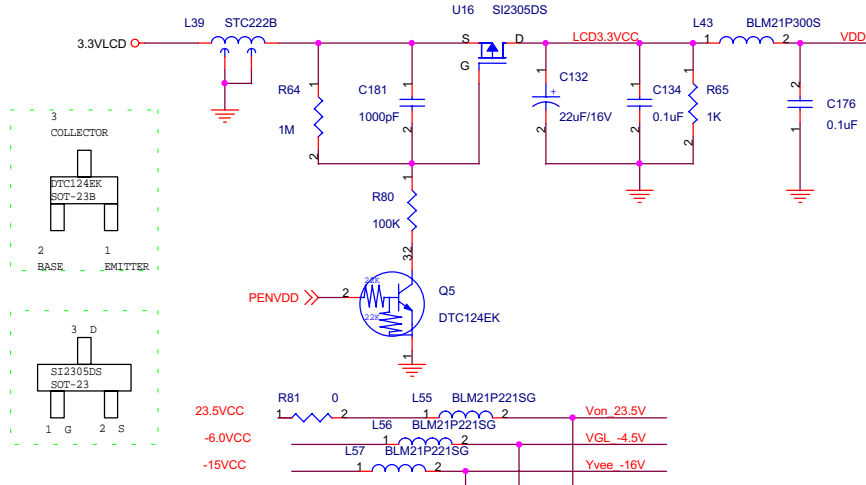
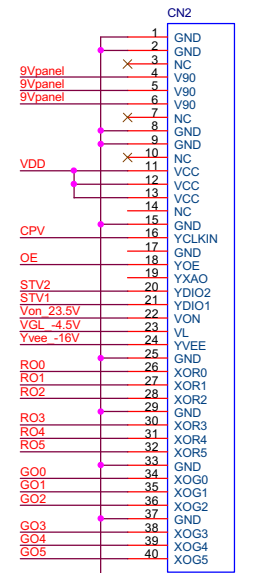
<b>COMPAL Electronics, Inc.</b>		
Title Schematic, CTRL/R VL-547, LAS558		
Size A3	Document Number 401A76	Rev 1B
Date: Friday, May 31, 2002	Sheet 4	of 7



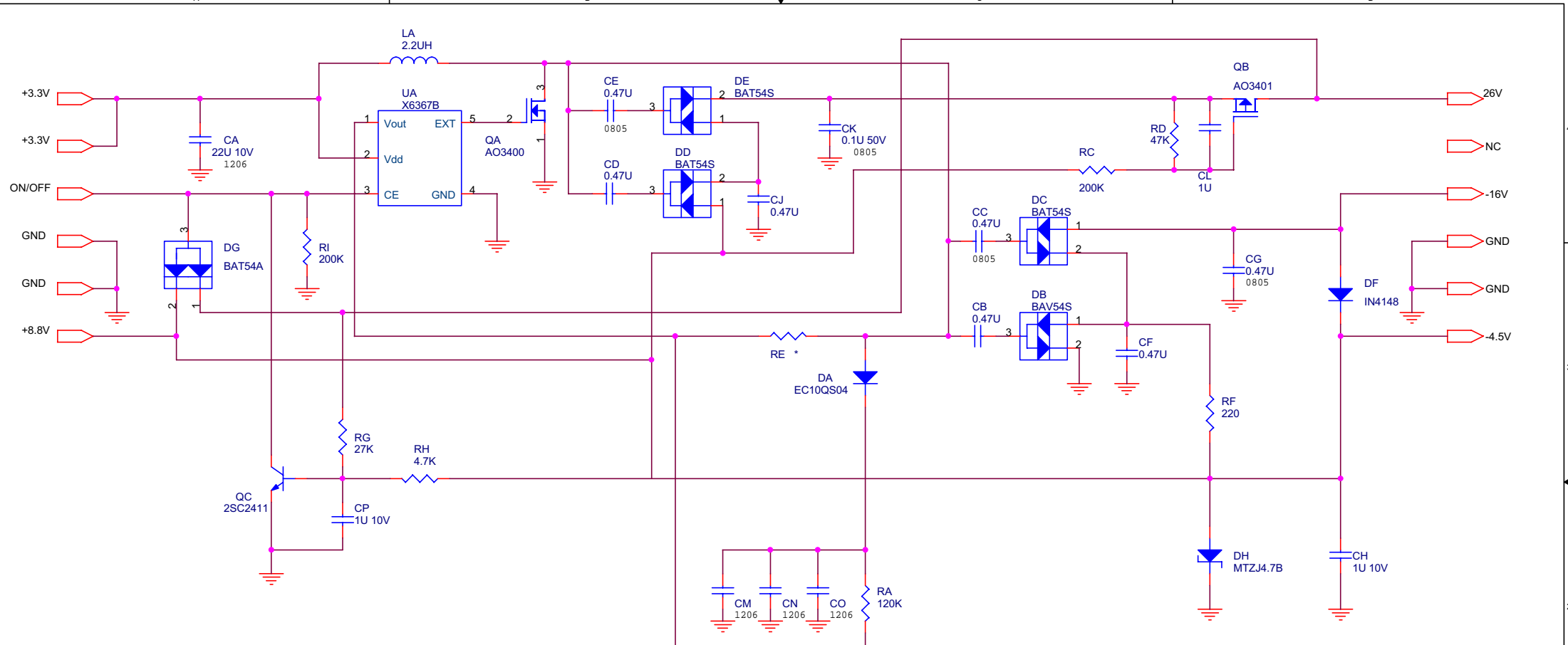
<b>COMPAL Electronics, Inc.</b>		
Title: Schematic, CTRL/R VL-547, LAS558		
Size: A3	Document Number: 401A76	Rev: 1B
Date: Friday, May 31, 2002	Sheet: 5	of 7



HannStar X83 don't use U17, R72, R81, L17, L55, L56, L57, C151, C152, C159, C160, C161, C163, C164, C165, C166, C177, C178, C179, C180.



<b>COMPAL Electronics, Inc.</b>		
Title	Schematic, CTRL/R VL-547, LAS558	
Size	Document Number	Rev
A3	401A76	1B
Date:	Friday, May 31, 2002	Sheet 6 of 7



Min	Typ	Max	Min	Typ	Max	True
3V	3.3V	3.6V	-	30mA	60mA	
8.6V	8.8V	9.0V	-	120mA	200mA	89mA~63mA
25V	26V	27V	-	2mA	5mA	3mA
-15V	-16V	-17V	-	10mA	20mA	8mA
-4.4V	-4.5V	-4.6V	-	2mA	5mA	2mA

**COMPAL Electronics, Inc.**

Title: Schematic, CTRL/R VL-547, LAS558

Size: Document Number: Custom 401A76 Rev: 1B

Date: Friday, May 31, 2002 Sheet: 7 of 7