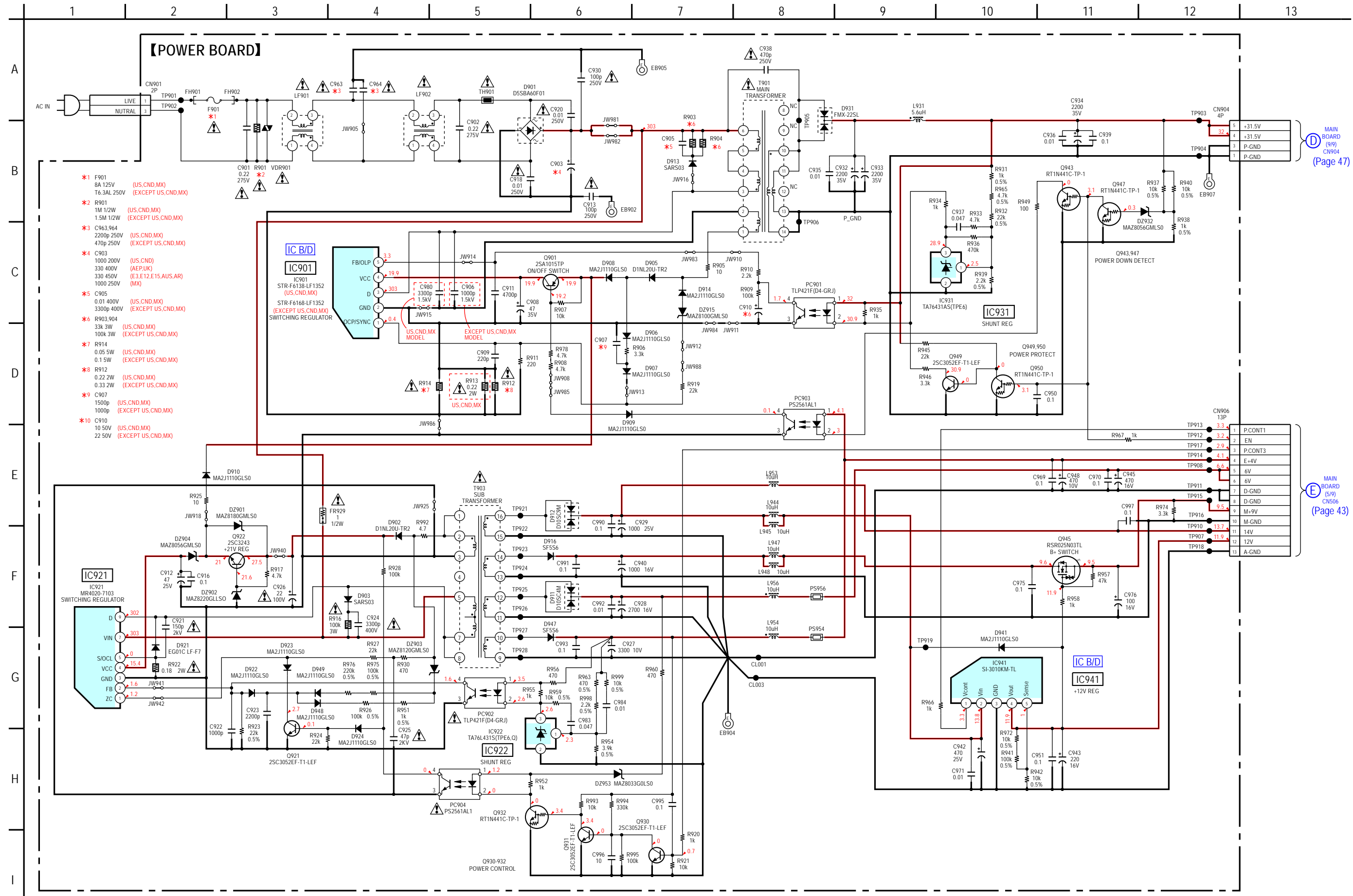


6-26. SCHEMATIC DIAGRAM – POWER Board – • See page 63 for IC Block Diagrams.



MAIN BOARD (9/9) CN904 (Page 47)

MAIN BOARD (5/9) CN906 (Page 43)