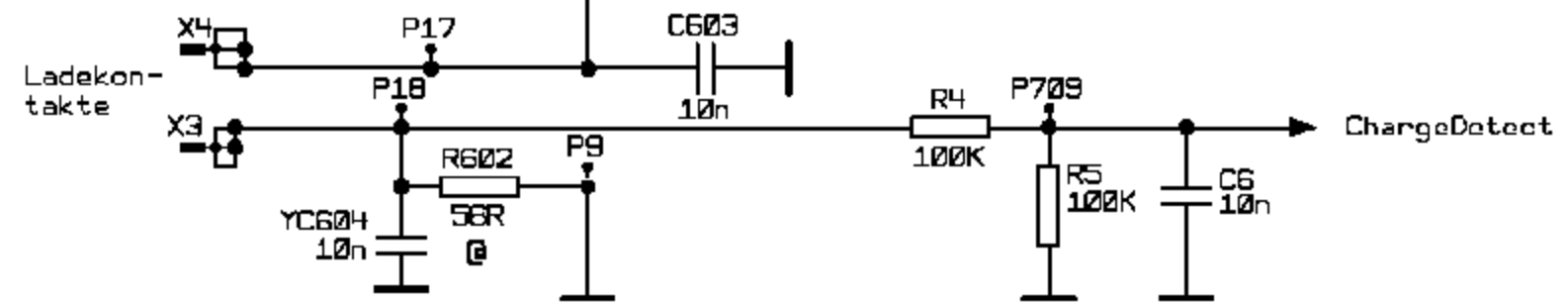
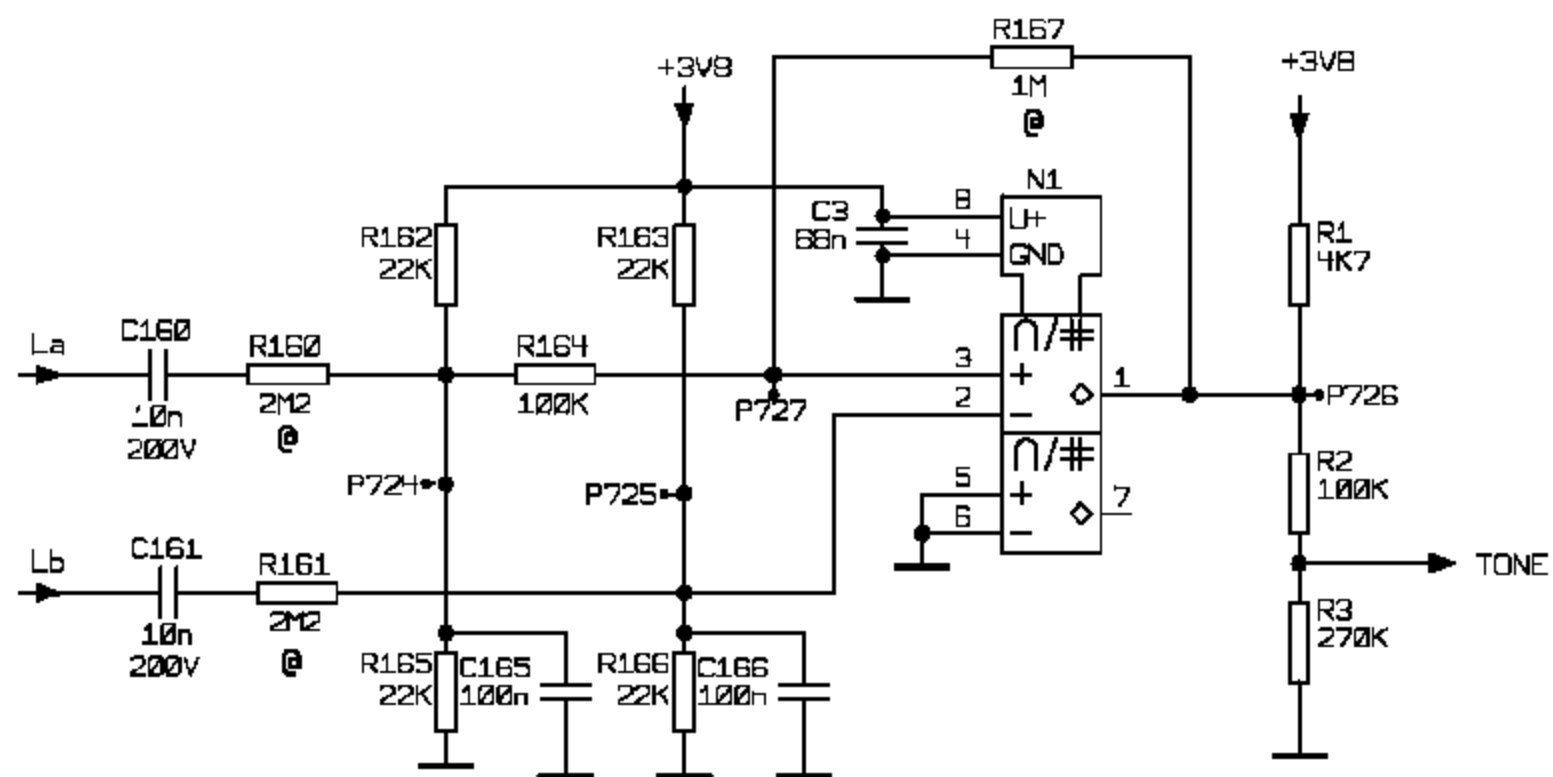
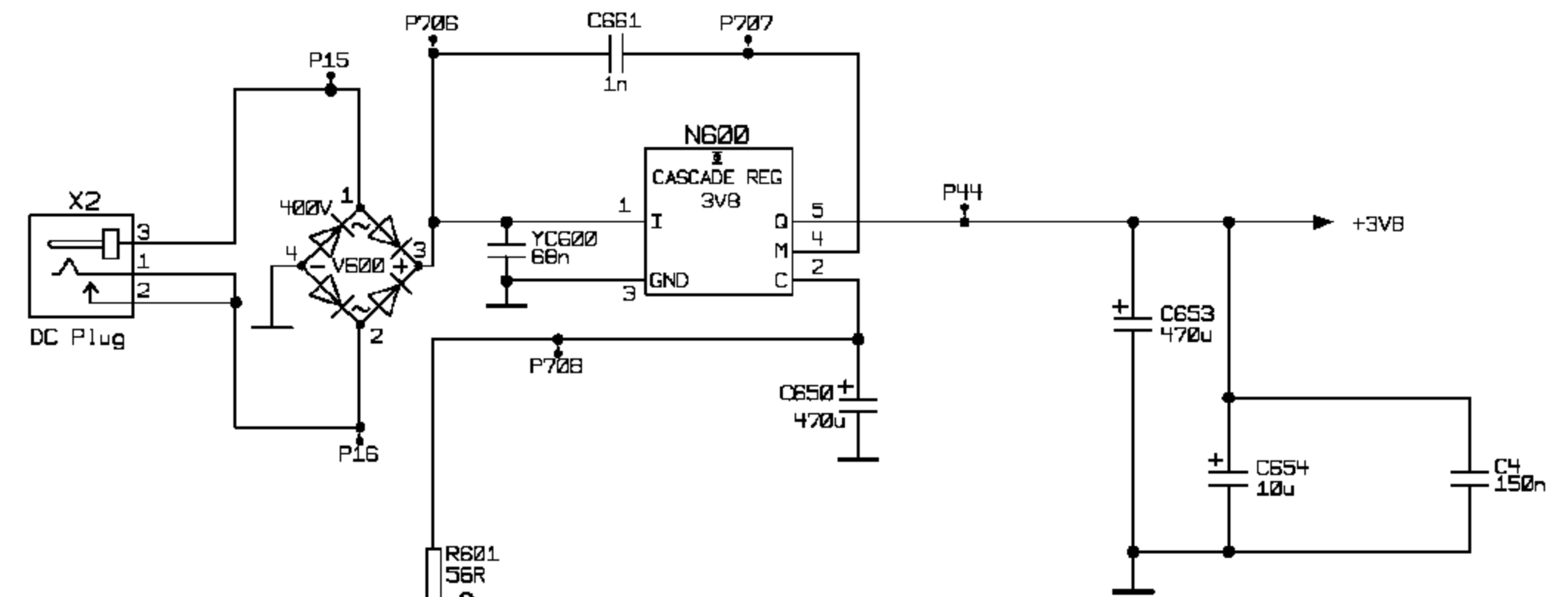
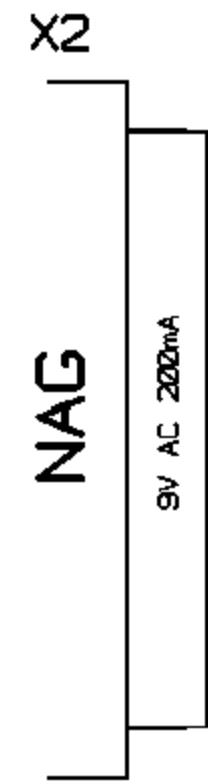
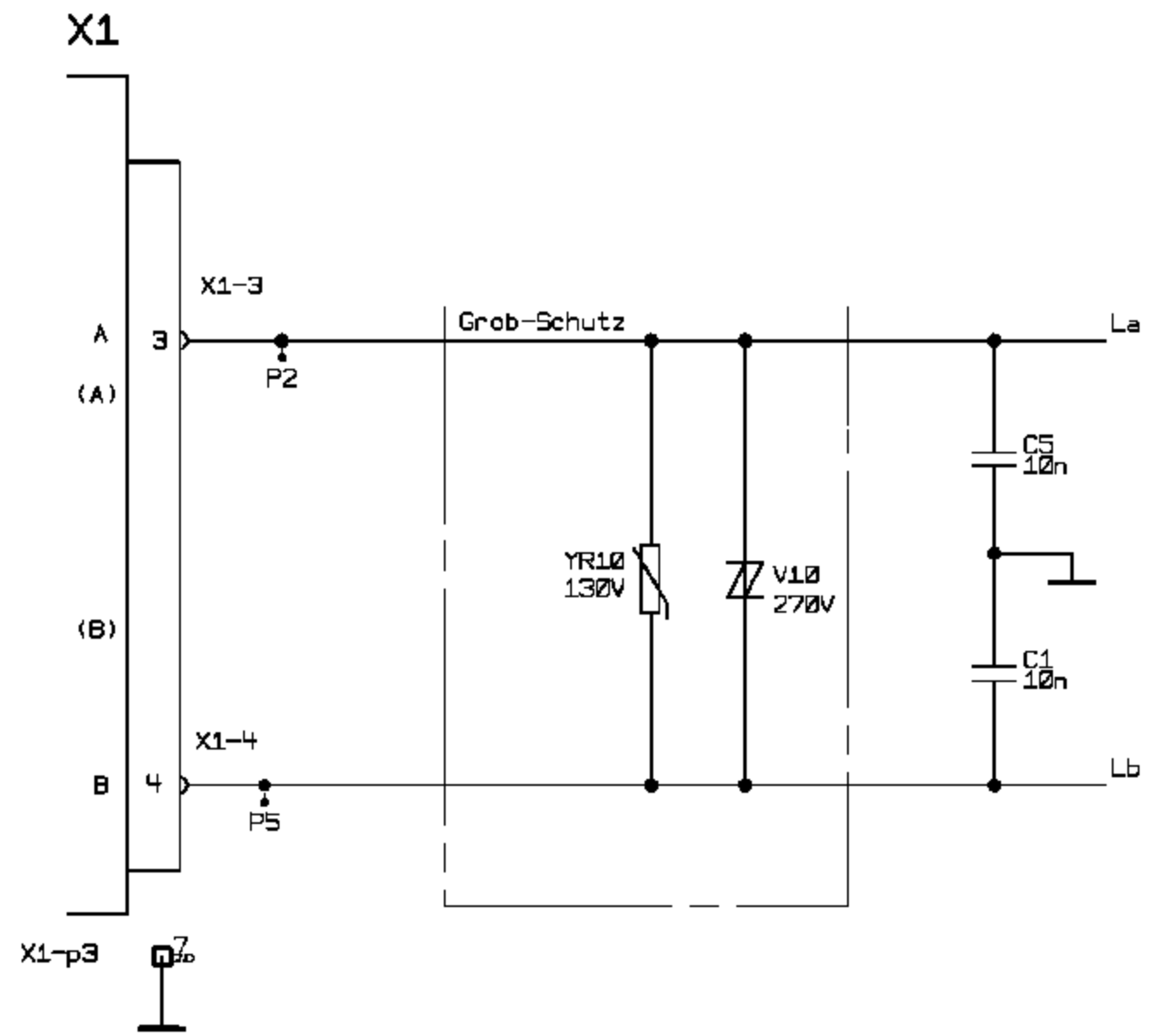
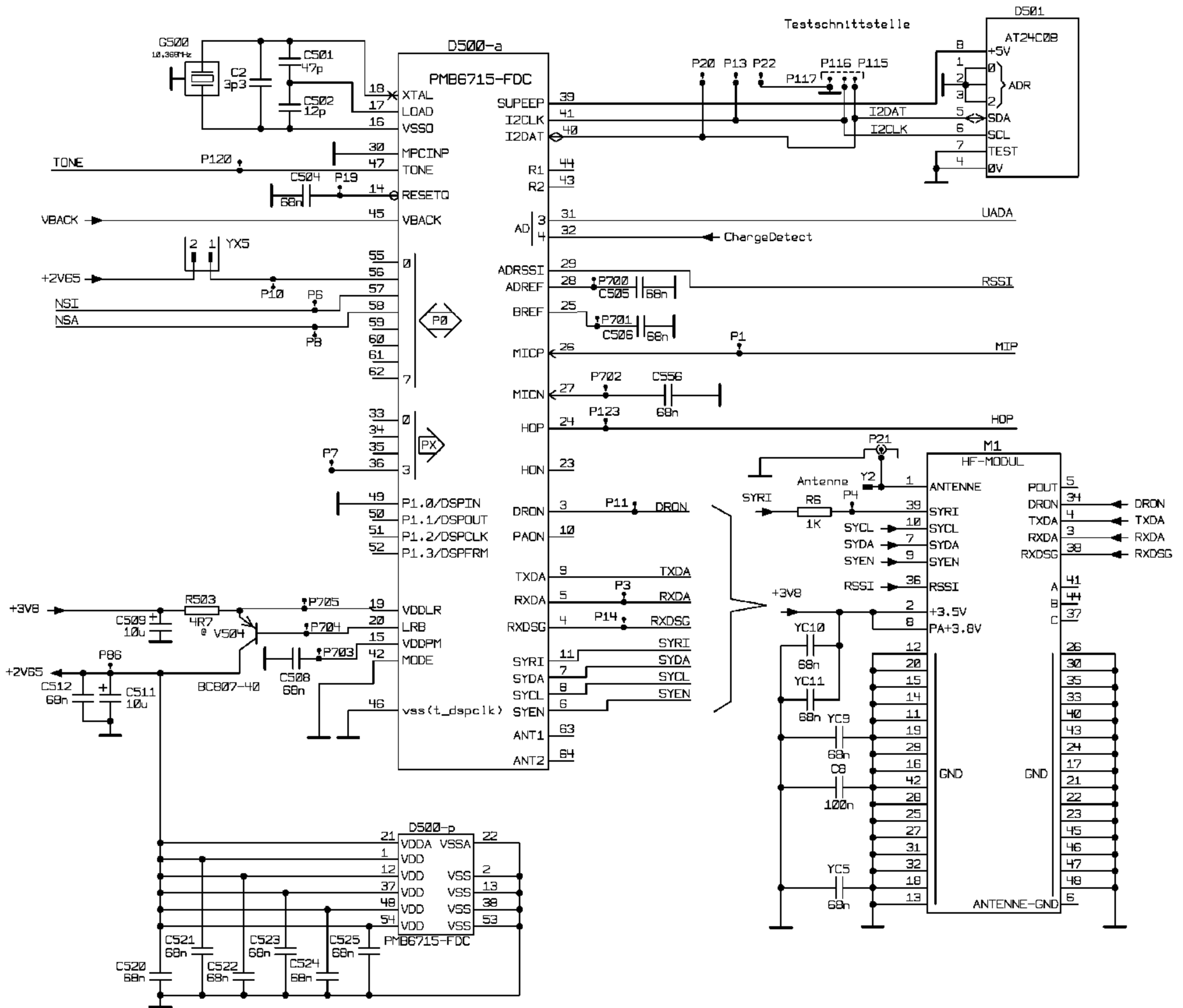
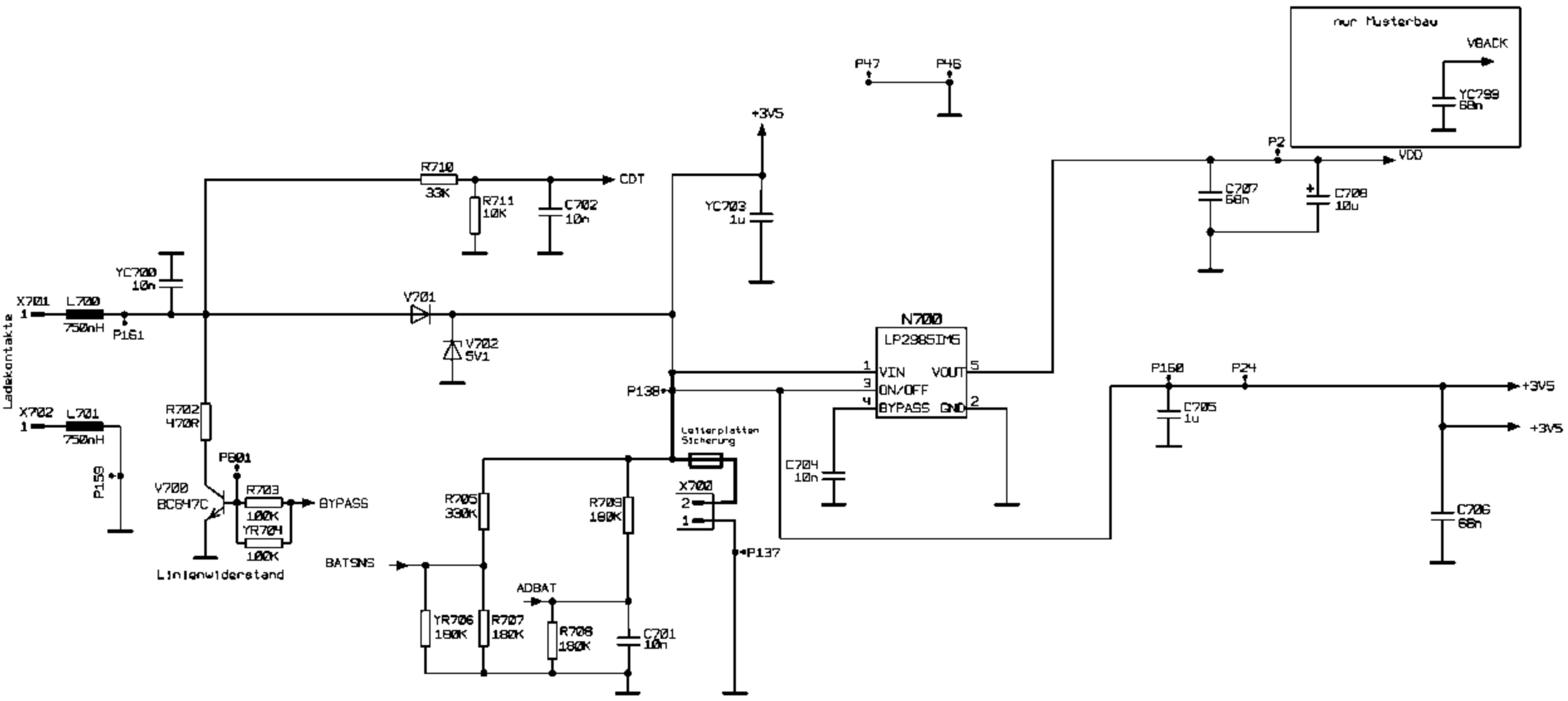


@ - 0,25W







- | | | |
|-------------|-----------------------|-----------|
| (S1) Kurzw. | (S13) trennen belegen | (S9) WWH |
| (S10) 1 | (S6) 2 | (S5) 3 |
| (S3) 4 | (S11) 5 | (S7) 6 |
| (S4) 7 | (S8) 8 | (S15) 9 |
| (S17) 0 | (S18) * | (S16) # |
| (S19) Flash | | (S12) SET |

