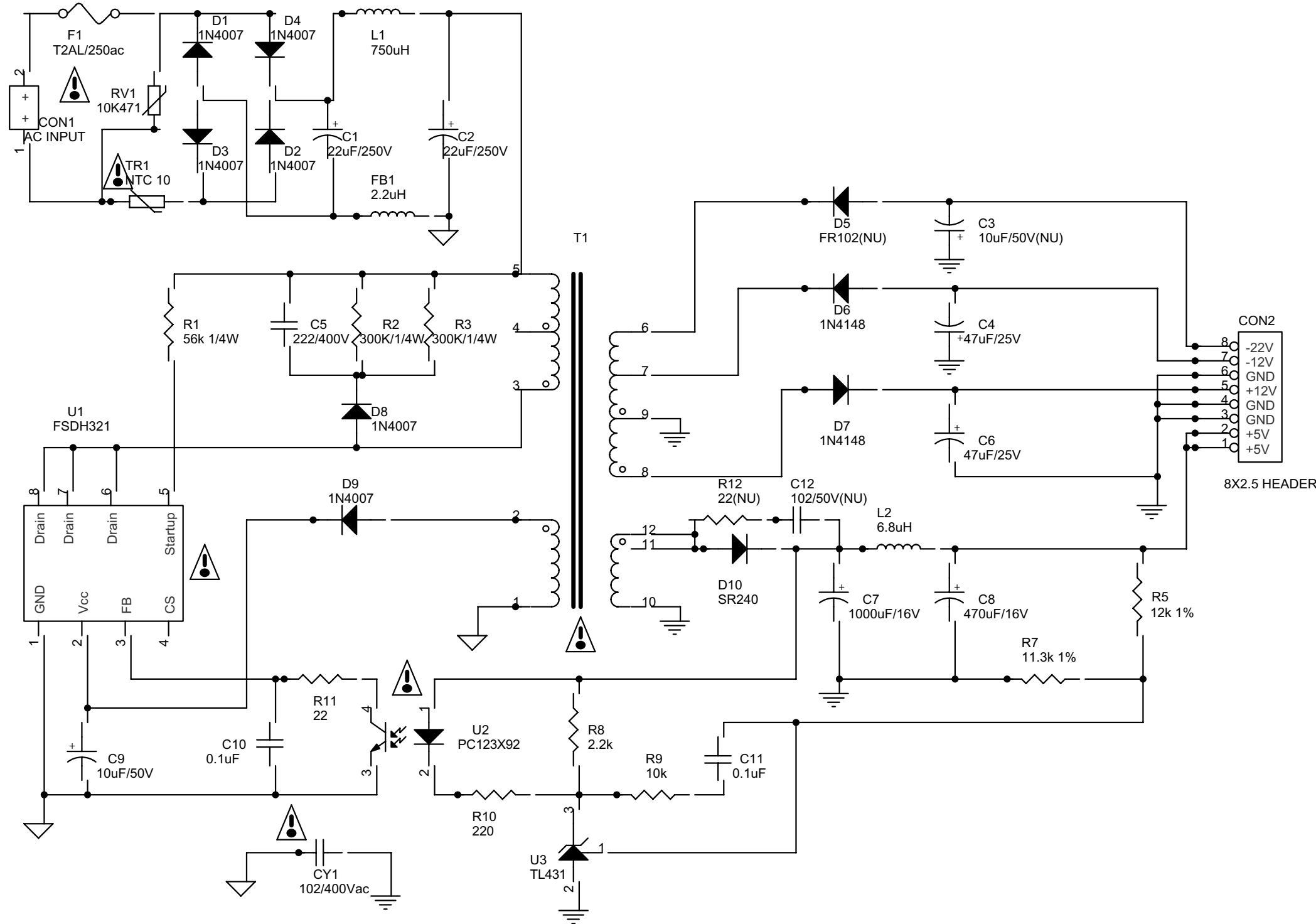



Power Board Electric Diagram for DVP3140/XX, DVP3142(K/KM)/XX, DVP3144(K)/XX



D8	B2
D9	B2
F1	A1
FB1	B1
L1	B1
L2	C3
R1	A2
R10	B3
R11	A3
R12	C2
R2	B2
R3	B2
R5	D3
R7	D3
R8	B3
R9	B3
RV1	A1
T1	B2
TR1	A1
U1	A2
U2	B3
U3	B3
C10	A3
C11	C3
C12	C2
C2	B1
C3	C1
C4	C2
C5	A2
C6	C2
C7	C3
C8	C3
C9	A3
CON1	A1
CON2	D2
CY1	B4
D1	A1
D10	C3
D2	A1
D3	A1
D4	A1
D5	C1
D6	C2
D7	C2

**\* CAUTION :**  
 THE PARTS MARKED WITH  ARE IMPORTANT PARTS ON THE SAFETY.  
 PLEASE USE THE PARTS HAVING THE DESIGNATED PARTS NUMBER WITHOUT FAIL.