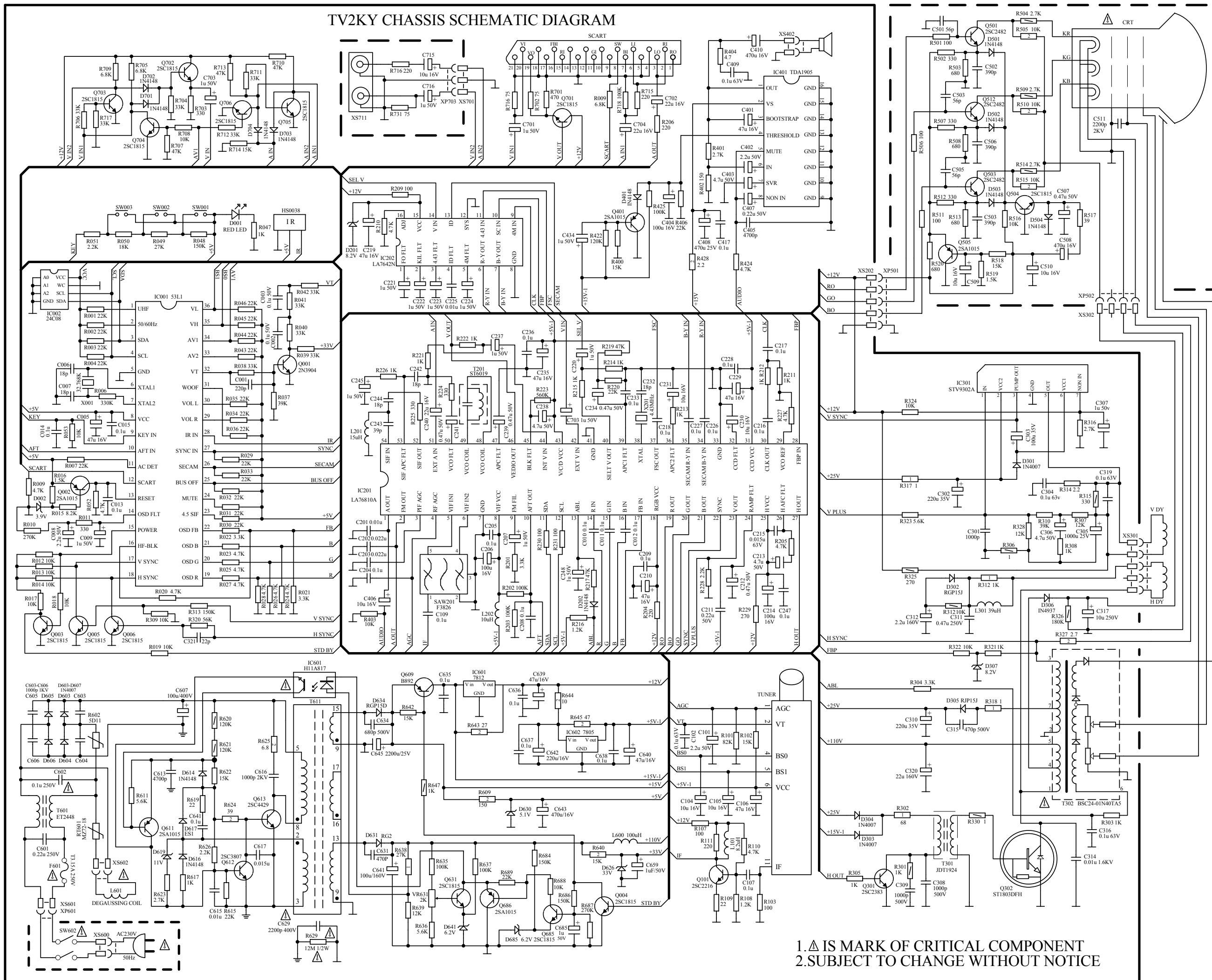


TV2KY CHASSIS SCHEMATIC DIAGRAM



1. Δ IS MARK OF CRITICAL COMPONENT
 2. SUBJECT TO CHANGE WITHOUT NOTICE