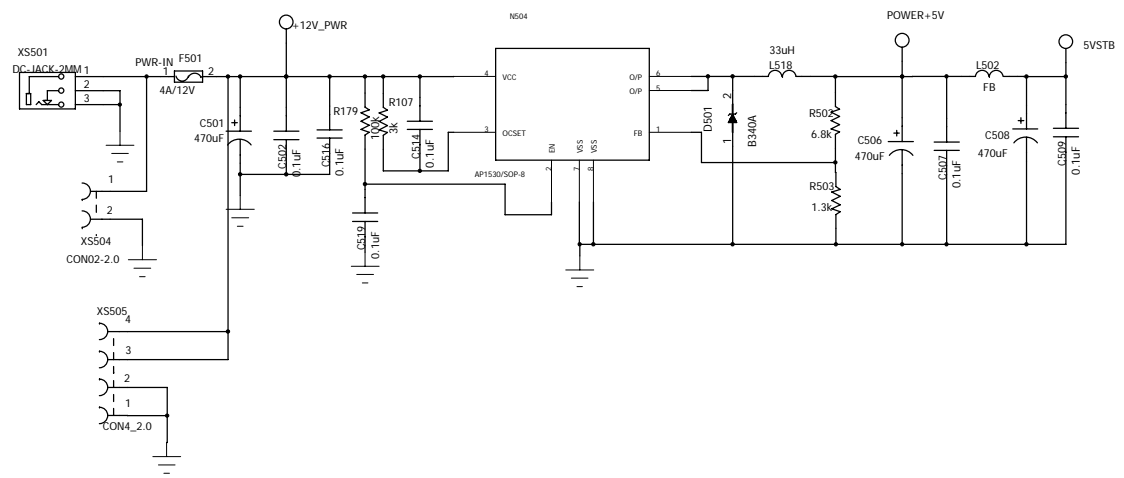
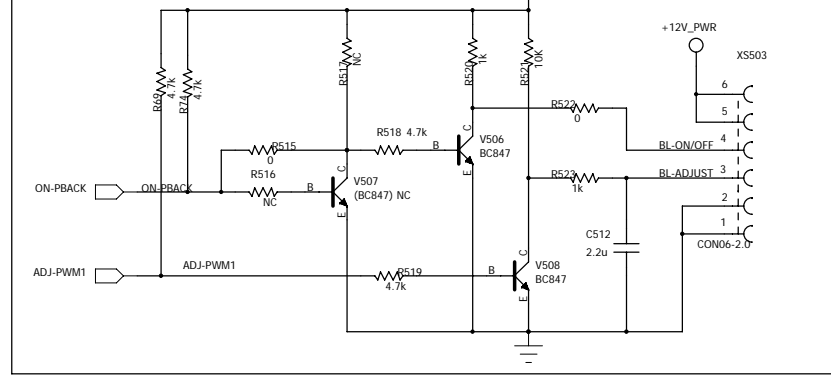


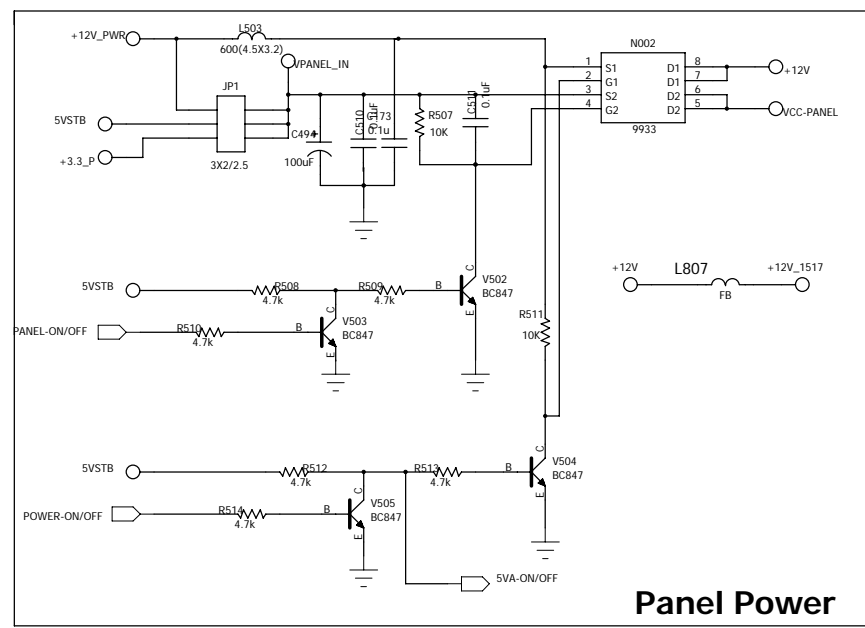
### POWER INPUT



### TO Inverter Board



### Panel Power



TITLE: <b>MST719</b>		REV: <b>1.00</b>
DRAWN: <b>Michael</b>	COMPANY: <b>东杰电气</b>	
CHECKED: <b>Checked By</b>	SHEET: <b>1.SYSTEM.POWER</b>	
SIZE: <b>A3</b>	Date: <b>2008.02.28</b>	SHEET: <b>1 of 10</b>

1

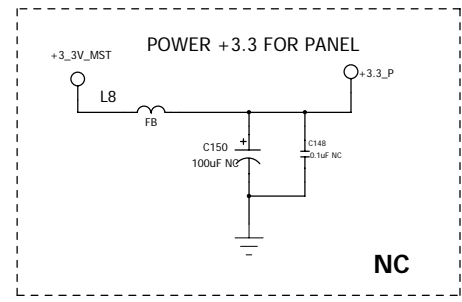
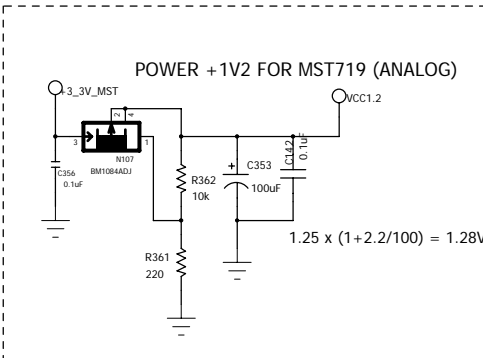
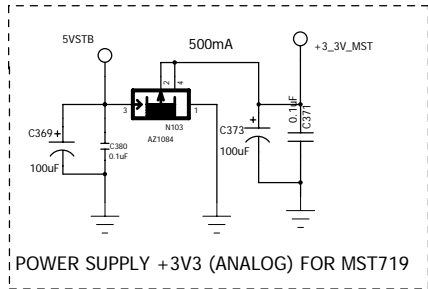
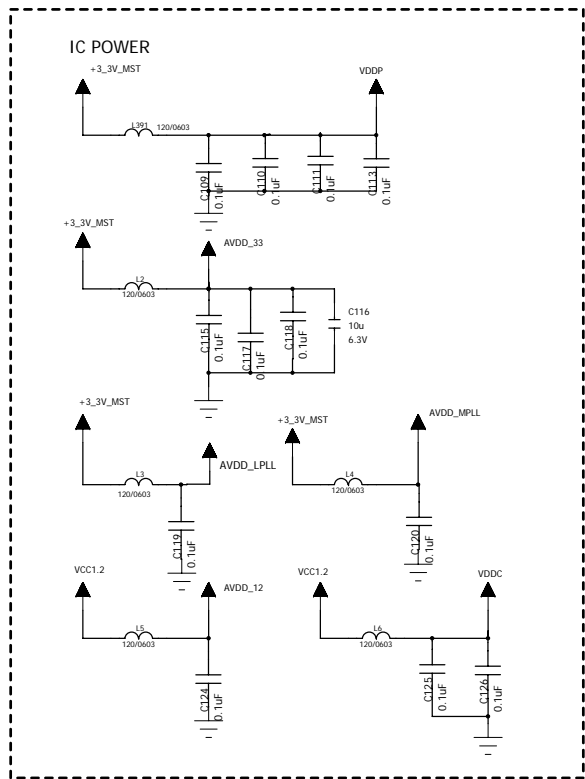
2

3

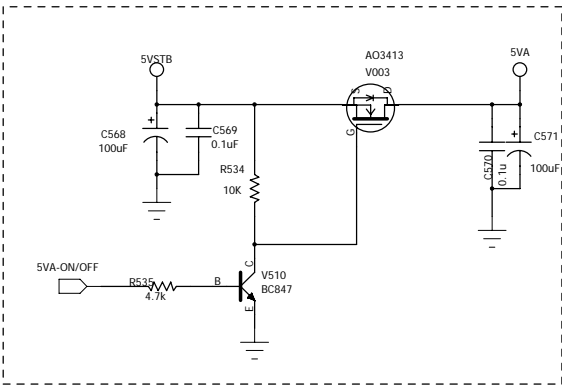
4

5

6



**Tuner Power**



TITLE: <b>MST719</b>		REV: <b>1.00</b>
DRAWN: <b>Michael</b>	COMPANY: <b>东杰电气</b>	
CHECKED:	SHEET: <b>POWER.FOR.MST719</b>	
SIZE: <b>A3</b>	Date: <b>2008.02.28</b>	SHEET: <b>2 OF 10</b>

1

2

3

4

5

6

2500

8500

2500

6000

2500

3500

2500

600

800

2500

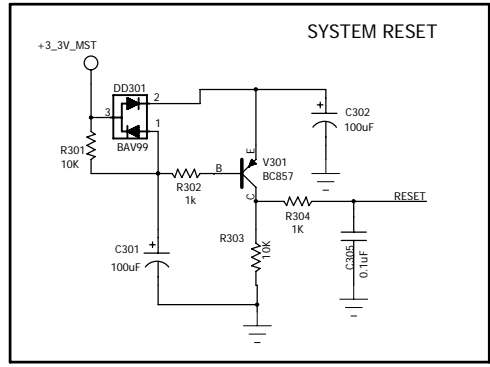
2500

2500

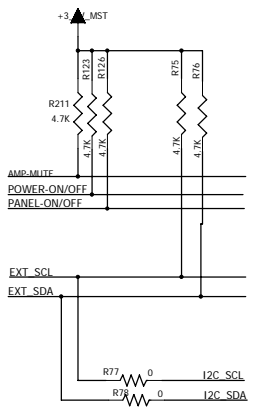
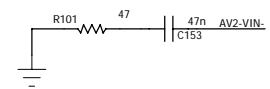
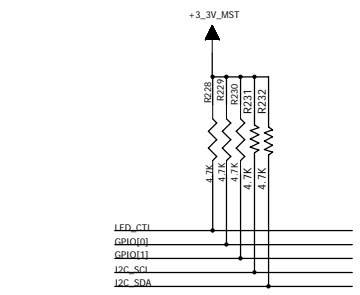
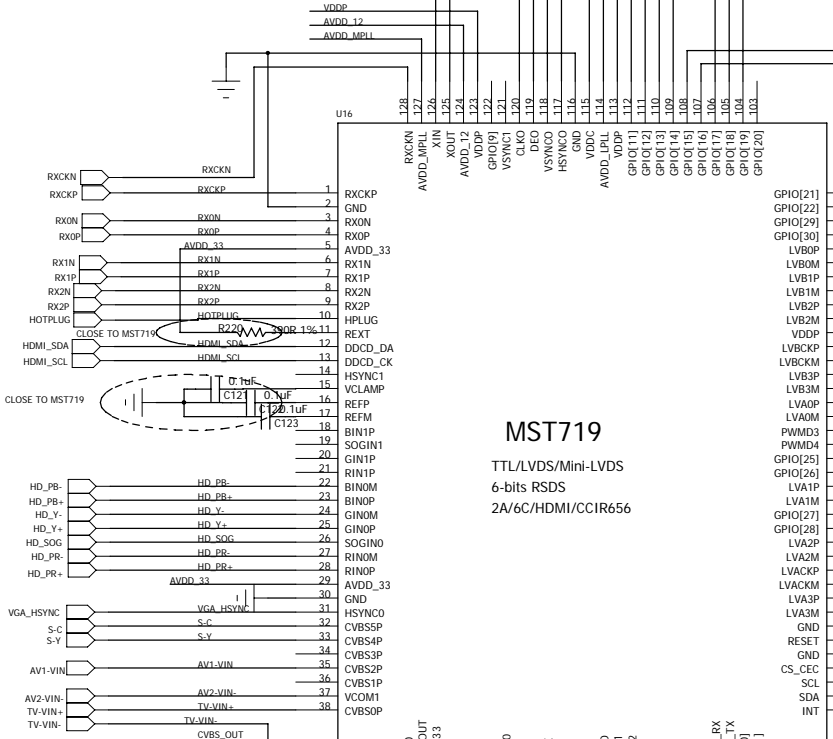
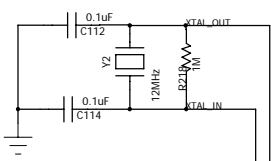
2500

2500

2500



CRYSTAL



P\_CLKO  
P\_DEO  
P\_VS\_  
P\_HS

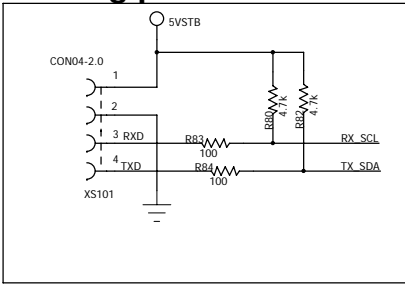
AMP-MUTE  
POWER\_ON/OFF  
PANEL\_ON/OFF  
ON\_PBACK  
LED\_CTL  
AMP-MUTE  
EXT\_SCL  
EXT\_SDA  
I2C\_SCL  
I2C\_SDA

LVB\*\*--->ODD

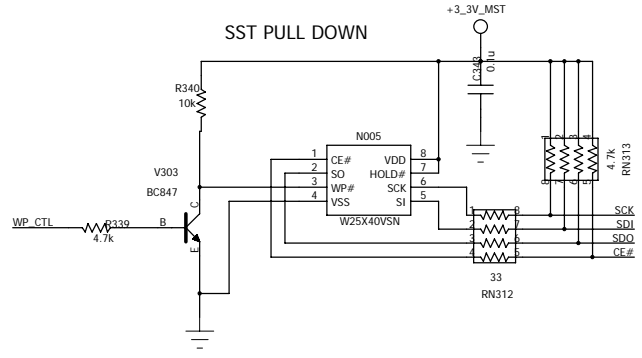
LVA\*\*--->EVEN

TITLE: <b>MST719</b>		REV: <b>1.00</b>
DRAWN: <b>Michael</b>	COMPANY: <b>东杰电气</b>	
CHECKED: <b>Michael</b>	SHEET: <b>3.MST719(A)</b>	
SIZE: <b>A3</b>	Date: <b>2008.02.28</b>	SHEET: <b>3 OF 10</b>

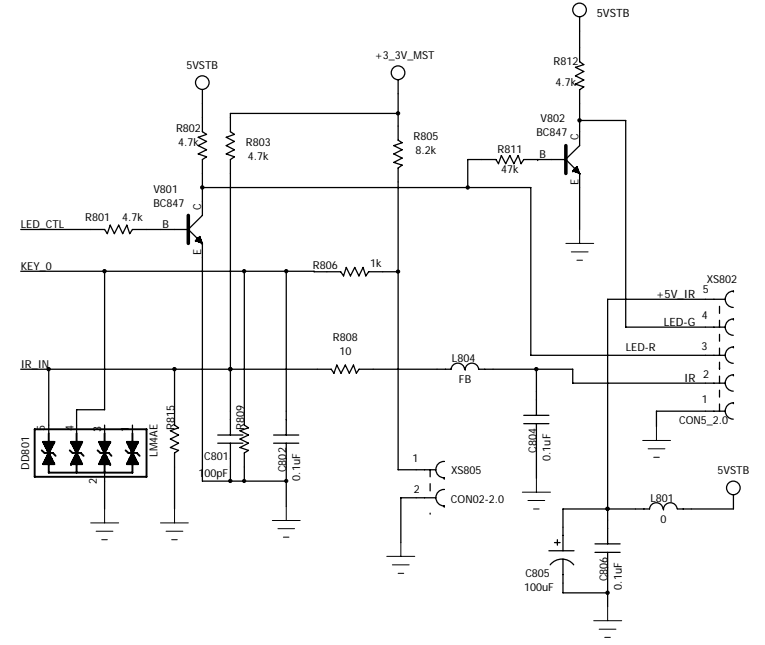
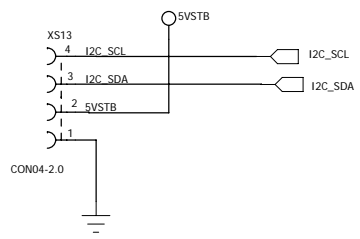
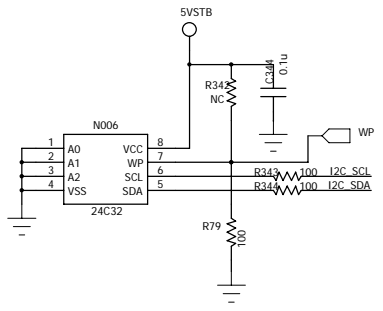
### Debug port



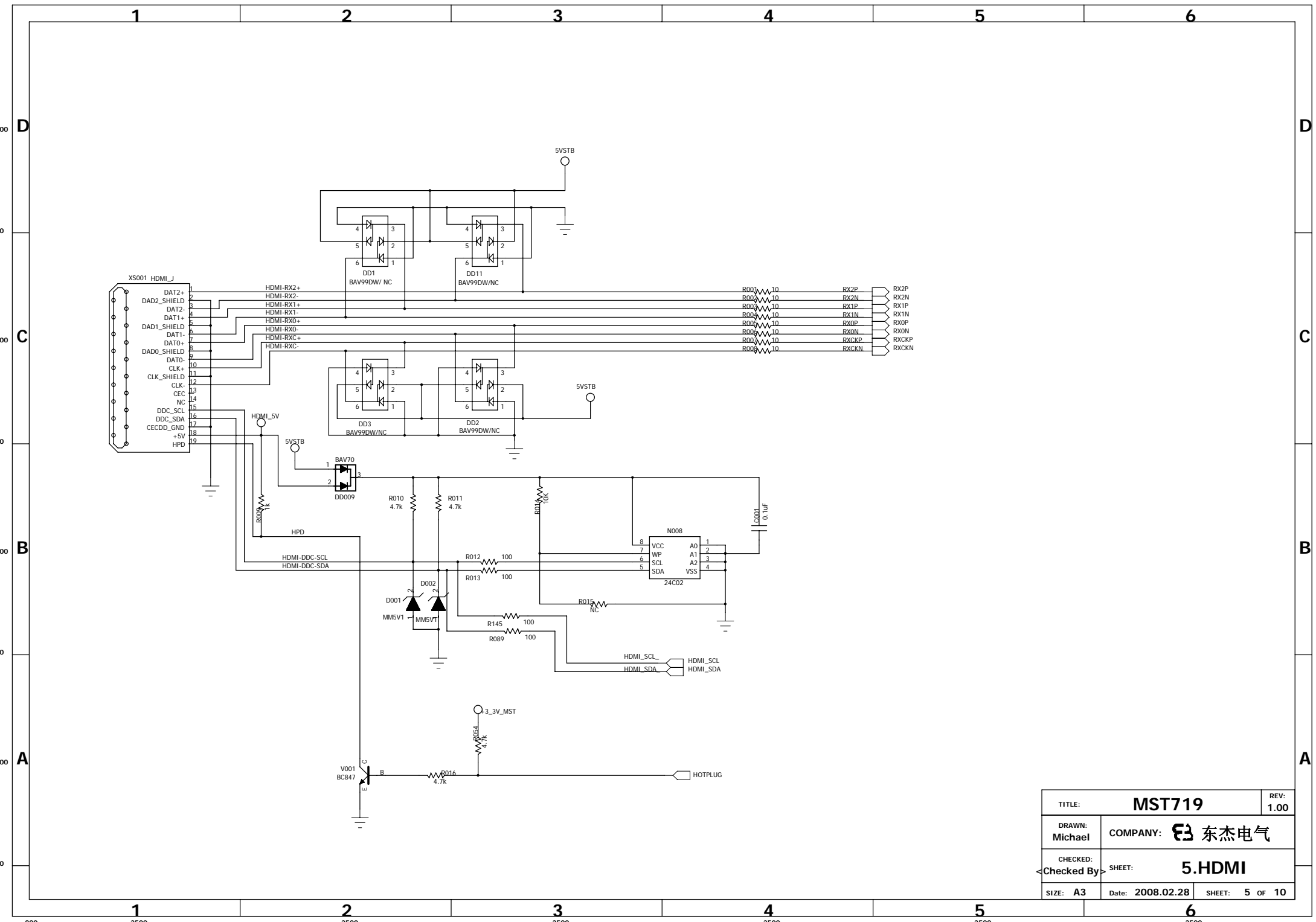
### SST PULL DOWN



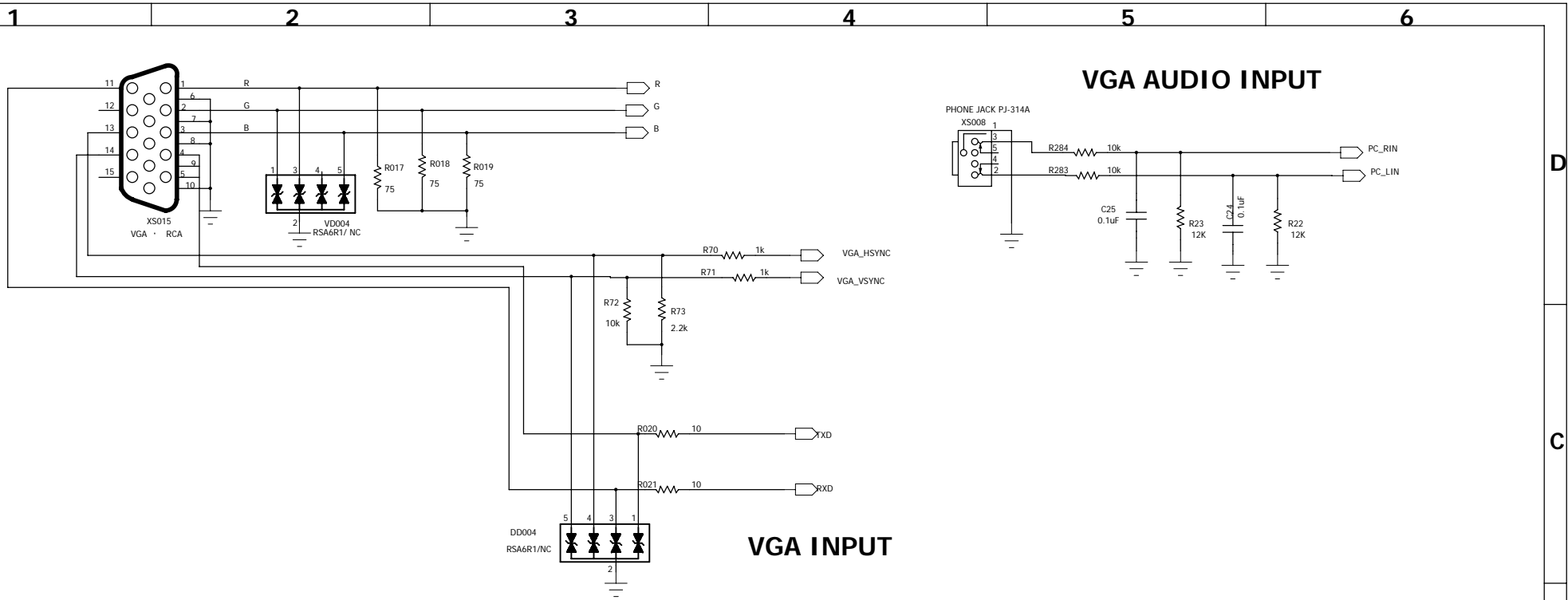
### I2C address at A0.



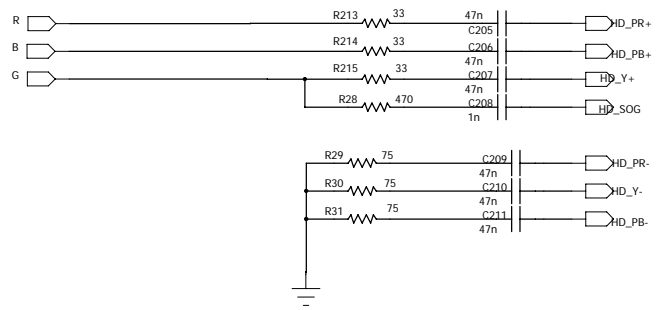
TITLE: <b>MST719</b>		REV: <b>1.00</b>
DRAWN: <b>Michael</b>	COMPANY: <b>东杰电气</b>	
CHECKED: <b>Checked By</b>	SHEET: <b>4.MST719(B)</b>	
SIZE: <b>A3</b>	Date: <b>2008.02.28</b>	SHEET: <b>4 OF 10</b>



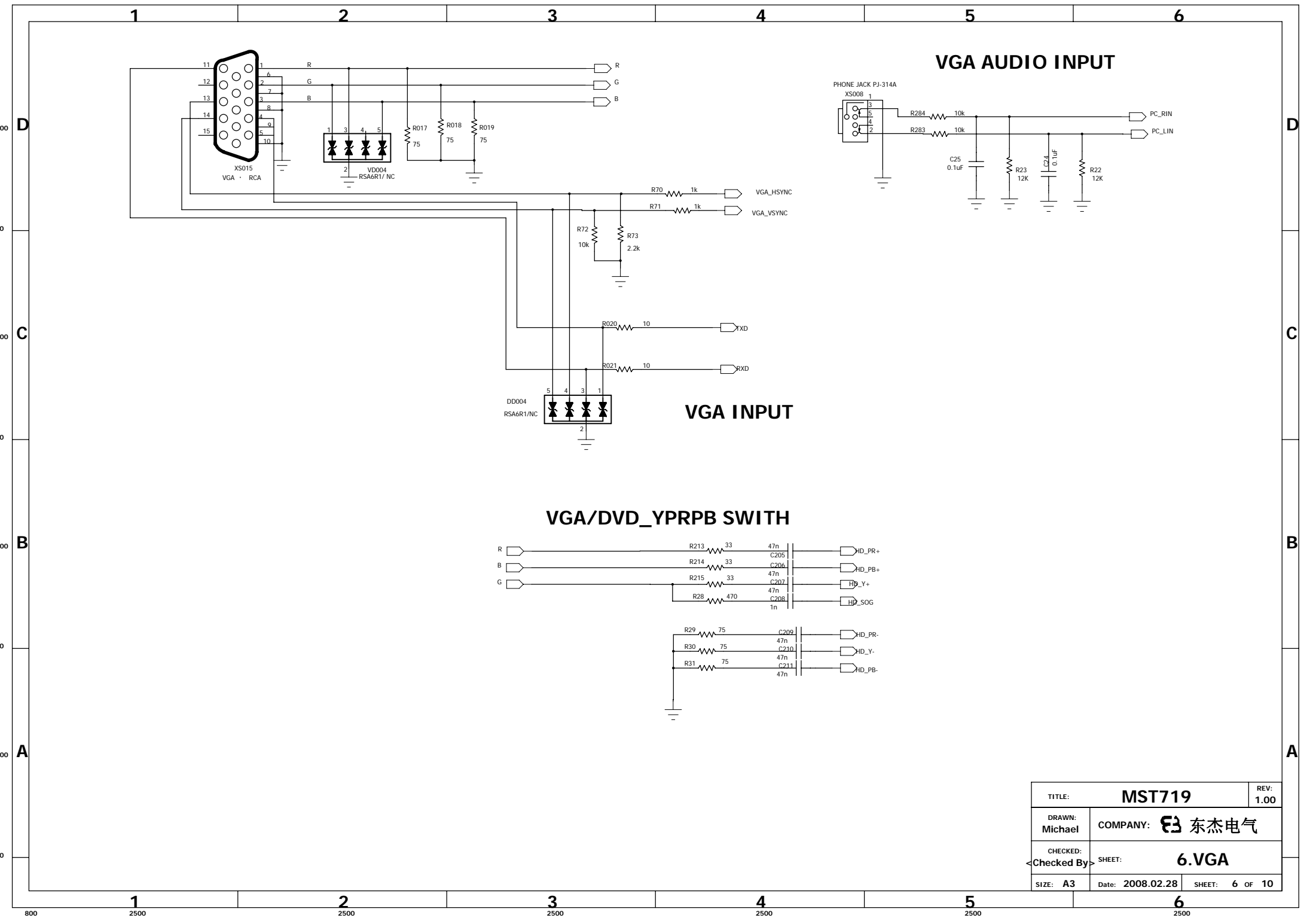
TITLE: <b>MST719</b>		REV: <b>1.00</b>
DRAWN: <b>Michael</b>	COMPANY: <b>东杰电气</b>	
CHECKED: <b>Michael</b>	SHEET: <b>5.HDMI</b>	
SIZE: <b>A3</b>	Date: <b>2008.02.28</b>	SHEET: <b>5 of 10</b>



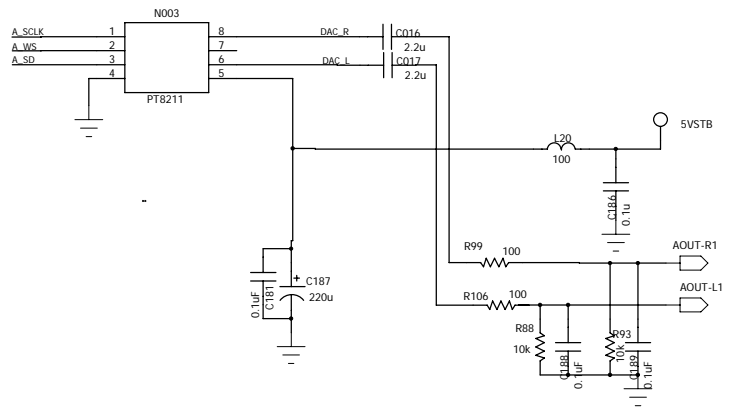
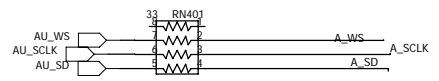
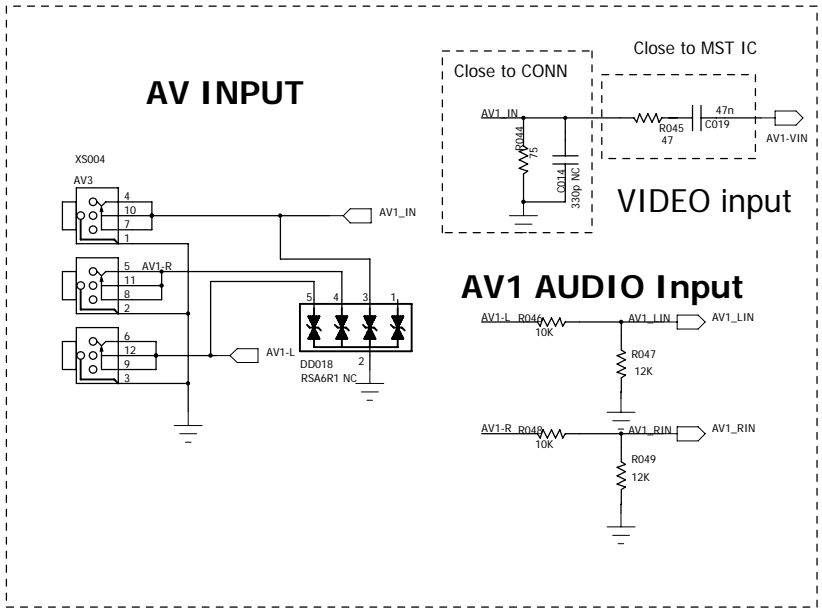
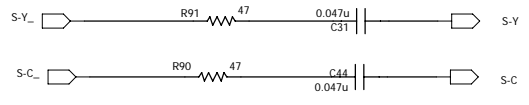
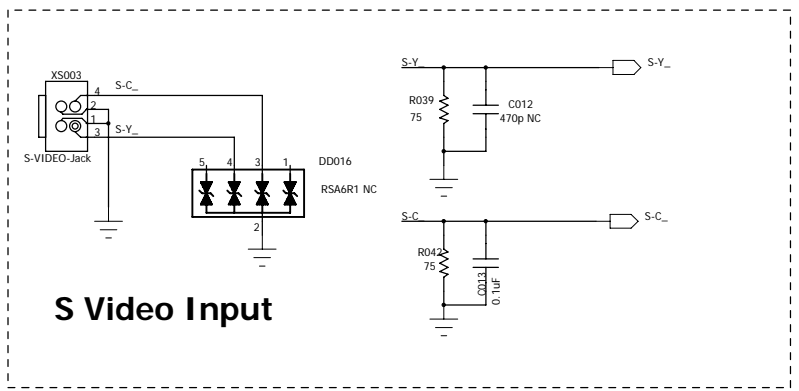
**VGA/DVD\_YPRPB SWITCH**



TITLE: <b>MST719</b>		REV: <b>1.00</b>
DRAWN: <b>Michael</b>	COMPANY: <b>东杰电气</b>	
CHECKED: <b>Checked By</b>	SHEET: <b>6.VGA</b>	
SIZE: <b>A3</b>	Date: <b>2008.02.28</b>	SHEET: <b>6 OF 10</b>



1 2 3 4 5 6

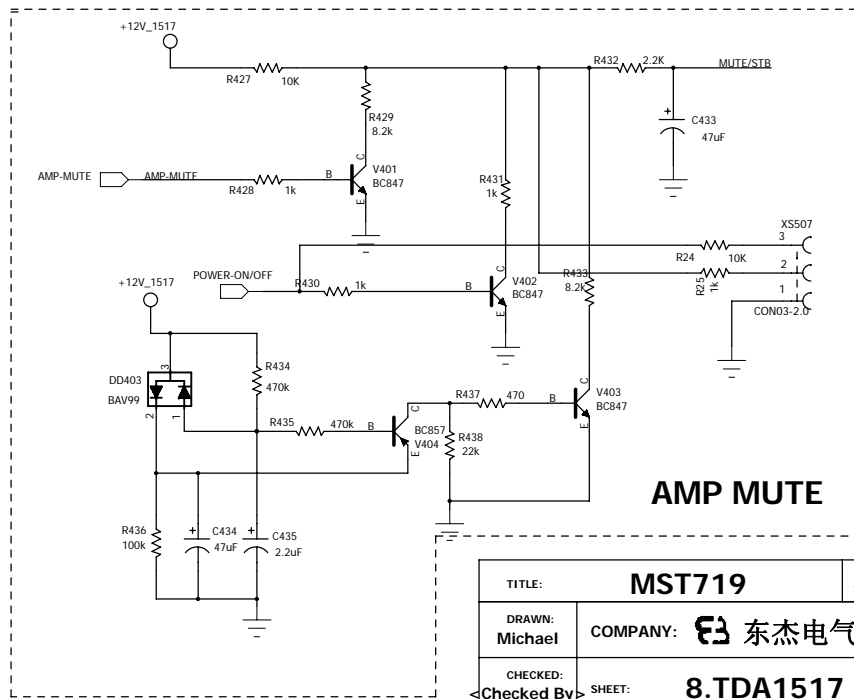
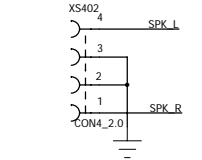
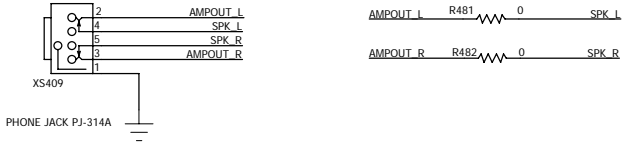
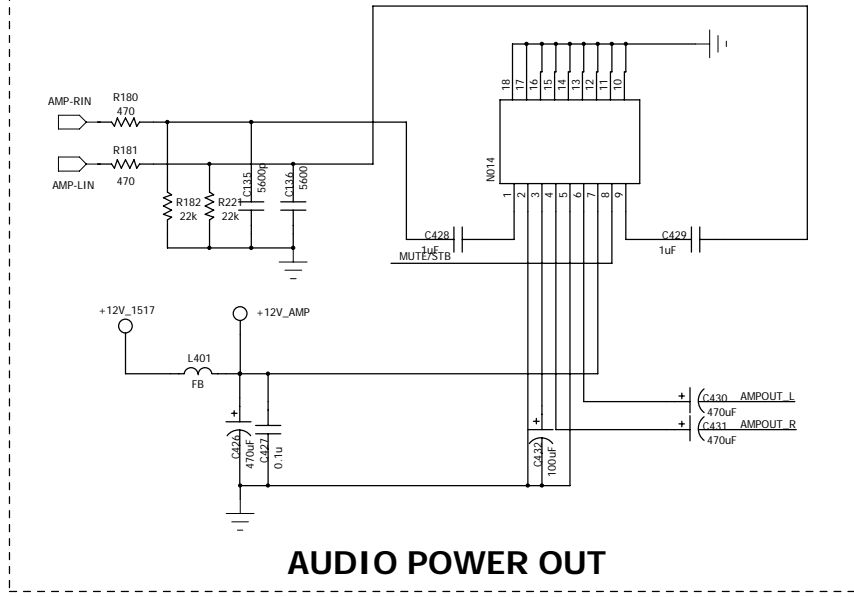
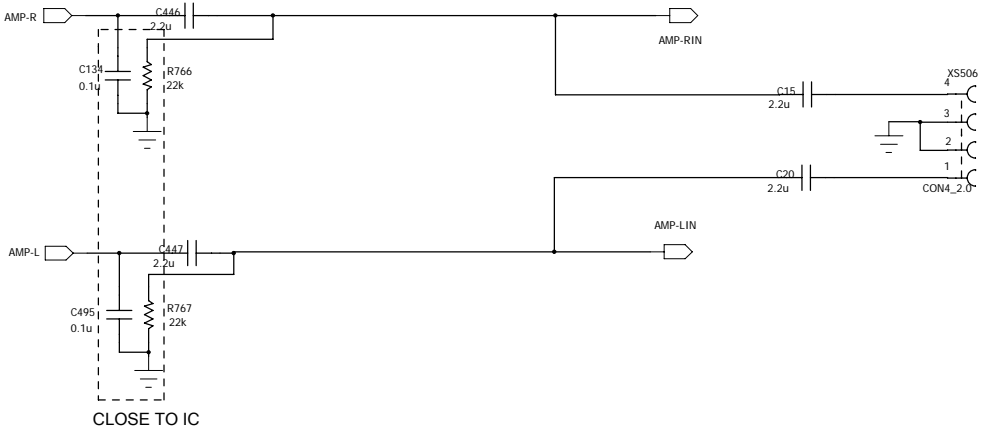
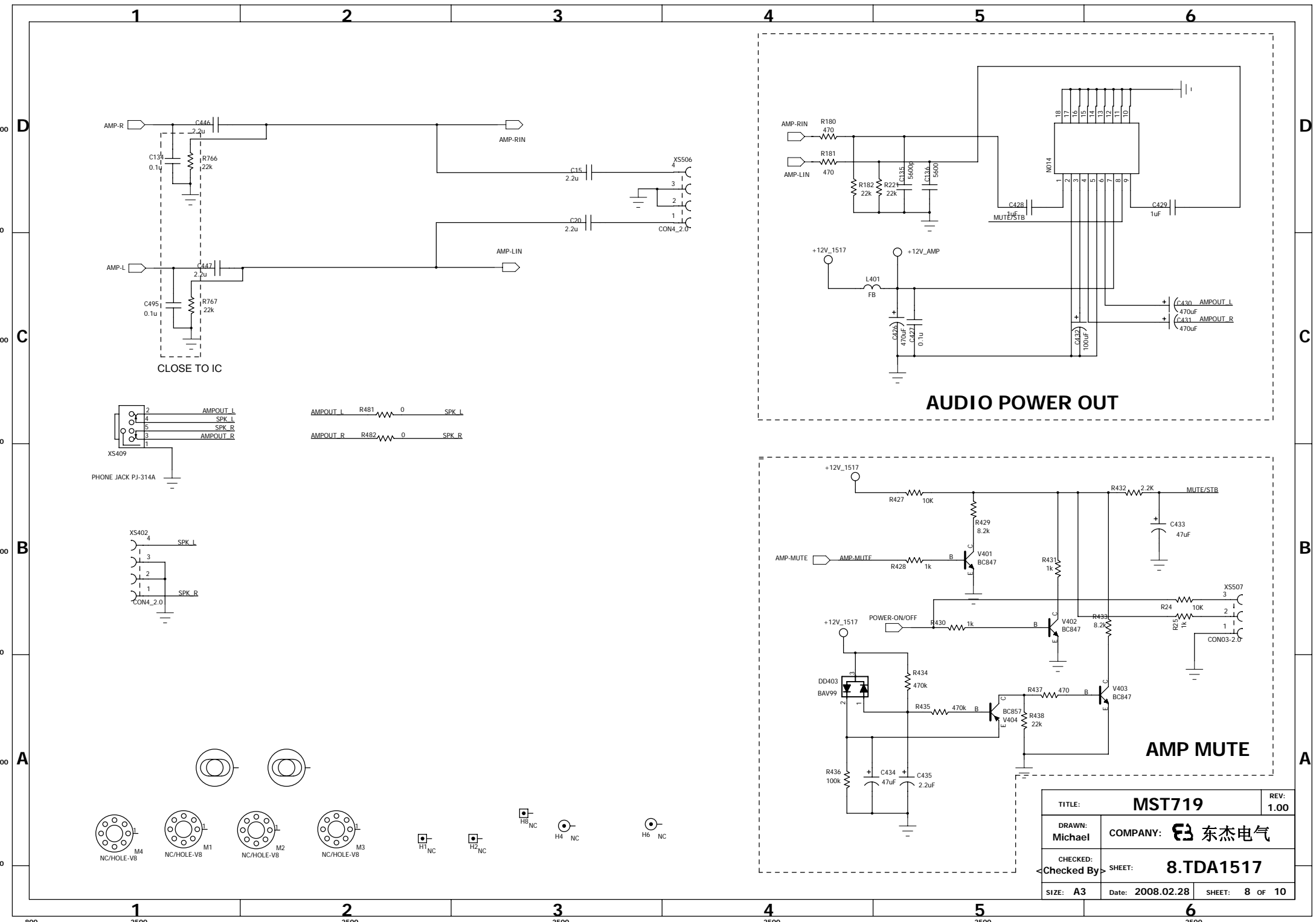


1 2 3 4 5 6

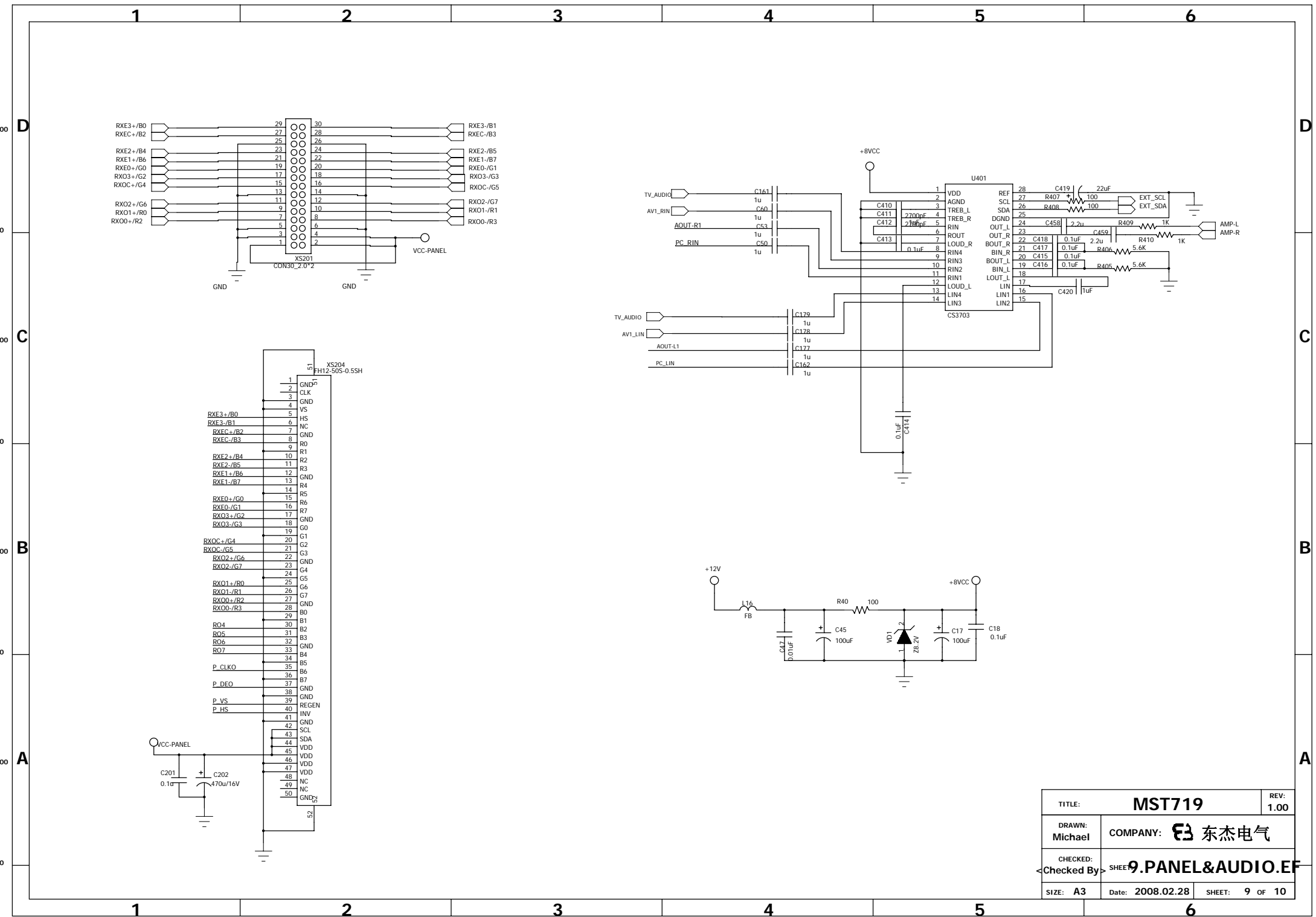
2500 D  
8500 C  
2500 C  
6000 B  
2500 B  
3500 A  
2500 A

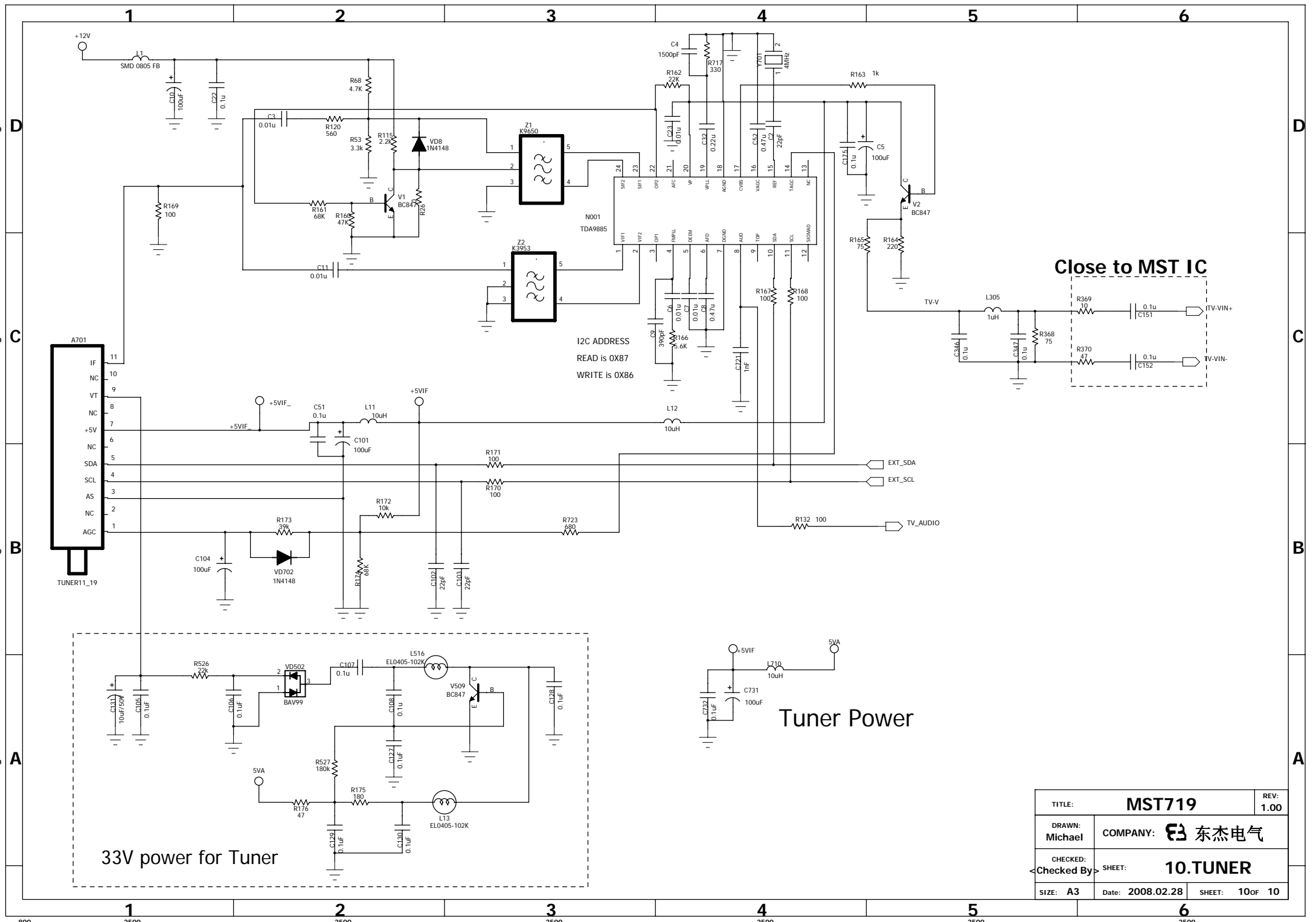
D  
C  
B  
A

TITLE: <b>MST719</b>		REV: <b>1.00</b>
DRAWN: <b>Michael</b>	COMPANY: <b>东杰电气</b>	
CHECKED: <b>Checked By</b>	SHEET: <b>7.AVINPUT</b>	
SIZE: <b>A3</b>	Date: <b>2008.02.28</b>	SHEET: <b>7 of 10</b>









Close to MST IC

Tuner Power

33V power for Tuner

TITLE:	<b>MST719</b>		REV:	1.00
DRAWN:	Michael	COMPANY:	东杰电气	
CHECKED:	Checked By	SHEET:	10.TUNER	
SIZE:	A3	Date:	2008.02.28	SHEET: 10 of 10