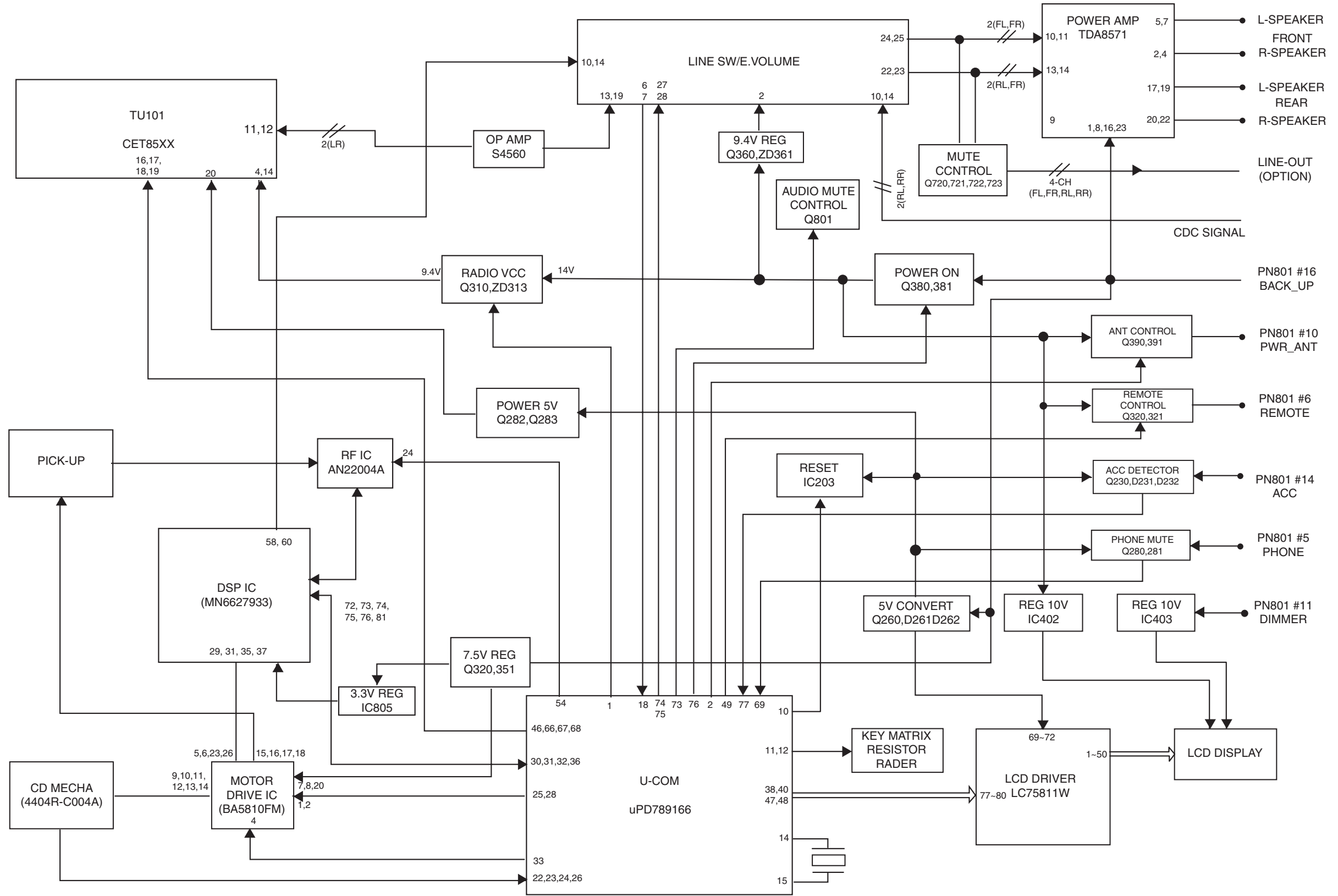
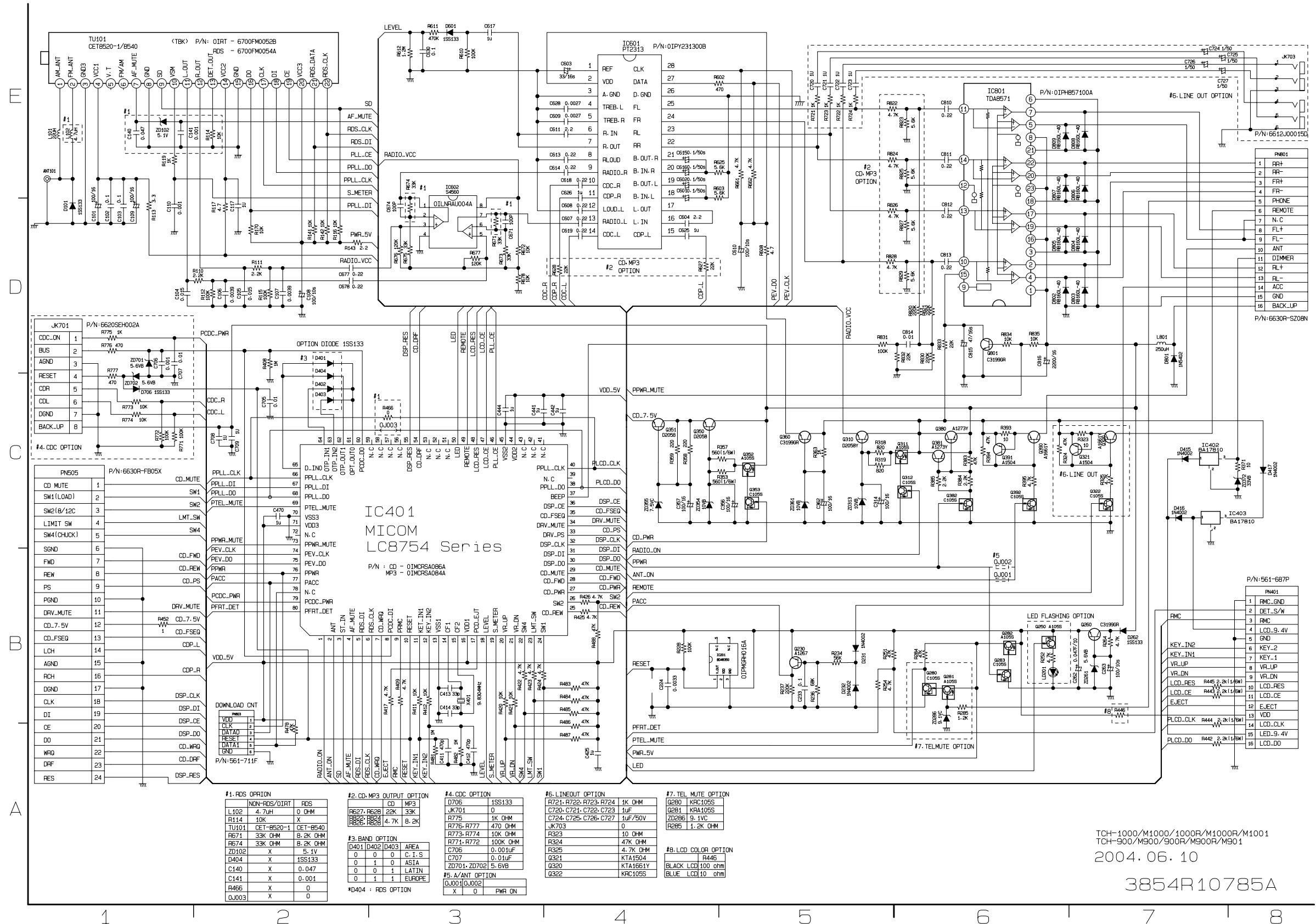


□ BLOCK DIAGRAM



SCHEMATIC DIAGRAM

MAIN SCHEMATIC DIAGRAM

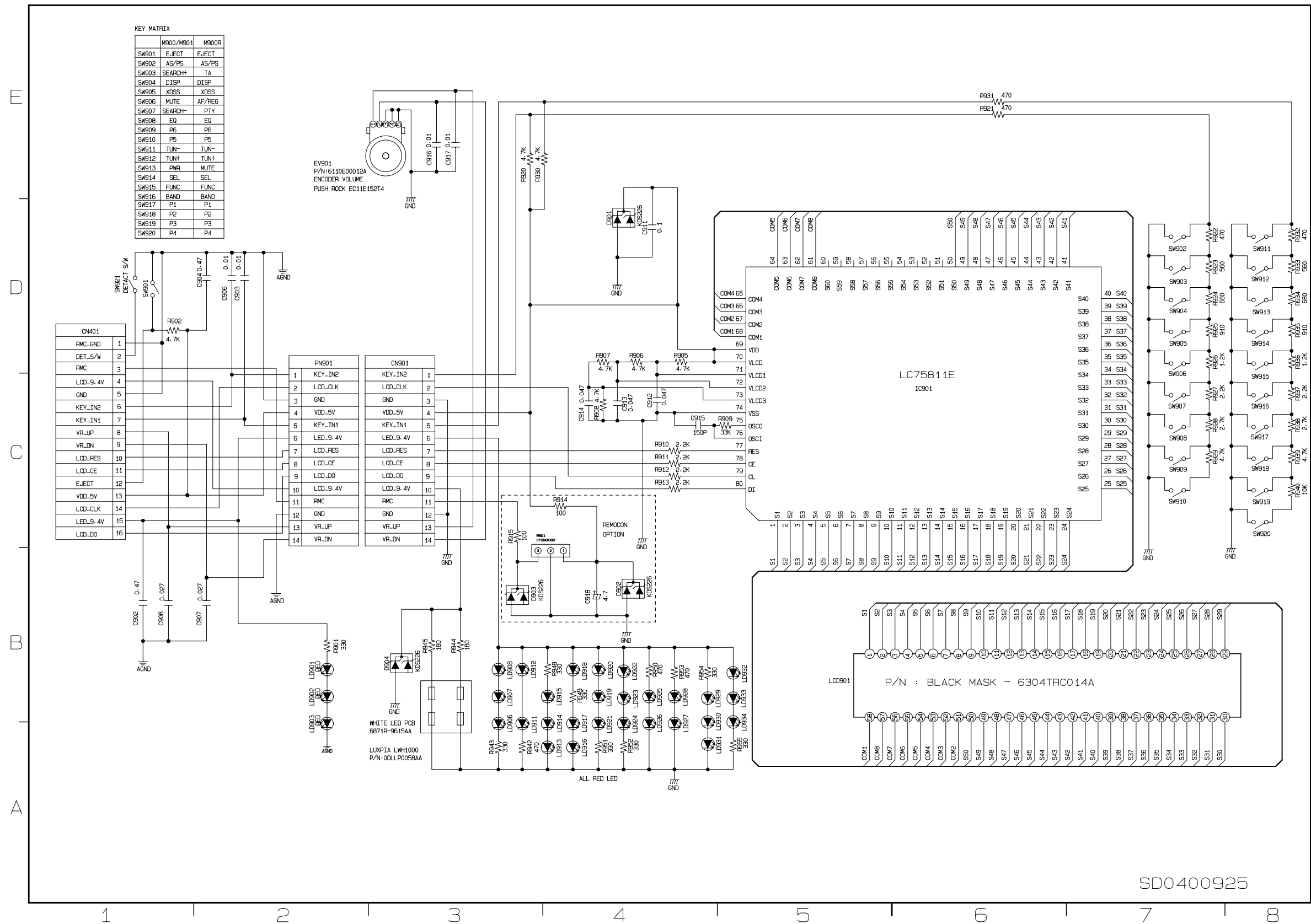


TCH-1000/M1000/1000R/M1000R/M1001
 TCH-900/M300/900R/M300R/M901

2004. 06. 10

3854R10785A

• FRONT SCHEMATIC DIAGRAM



SCHEMATIC DIAGRAM

CDP SCHEMATIC DIAGRAM

