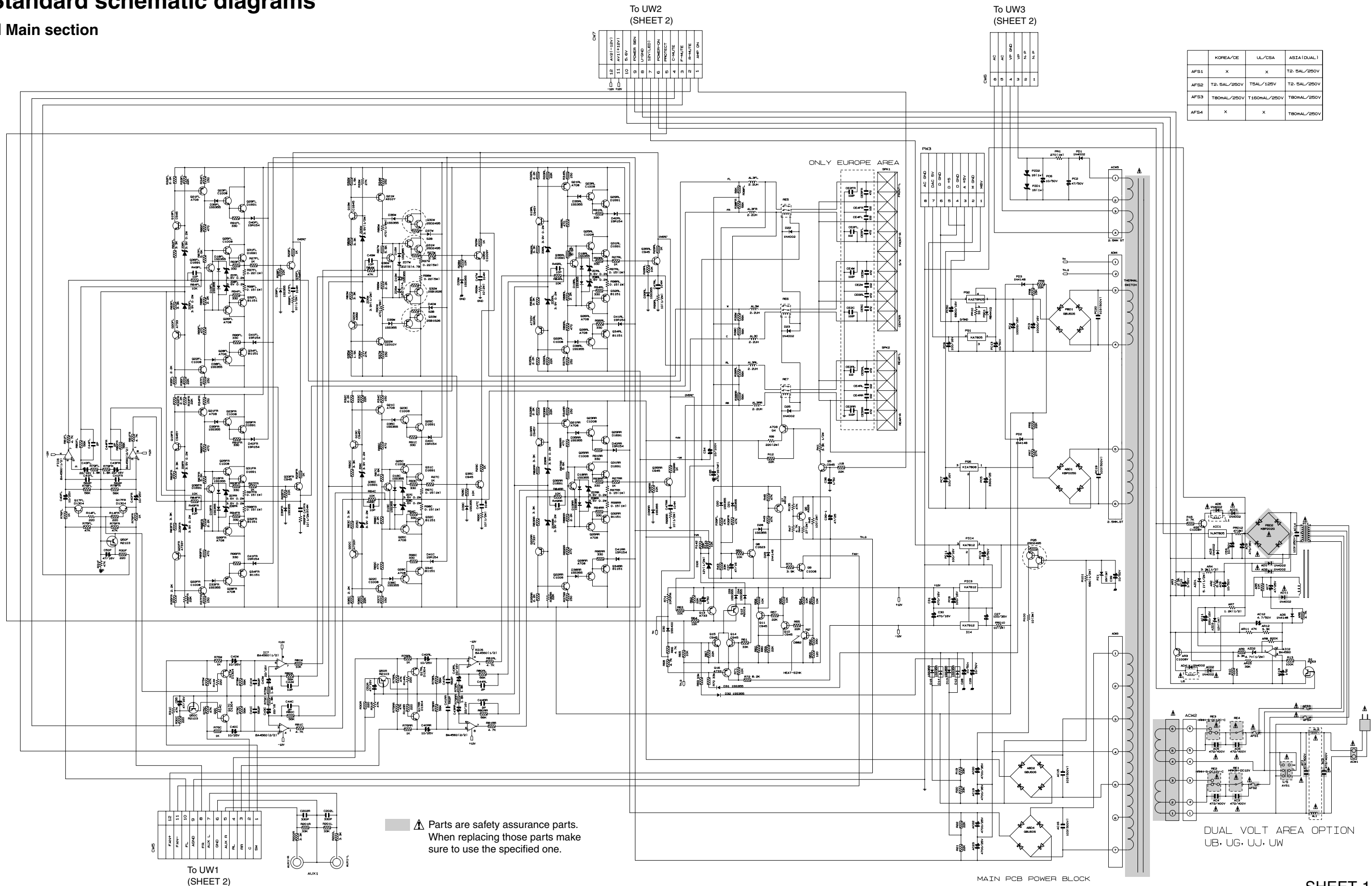


Standard schematic diagrams

Main section



To UW2
(SHEET 2)

To UW3
(SHEET 2)

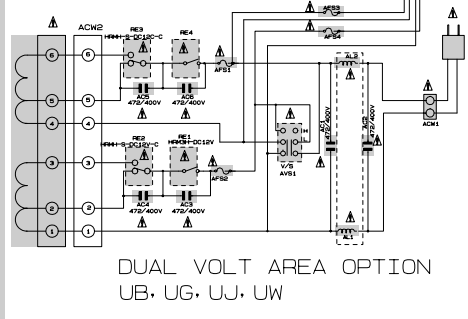
To UW1
(SHEET 2)

⚠ Parts are safety assurance parts.
When replacing those parts make
sure to use the specified one.

	KOREA/CE	UL/CSA	ASIA (DUAL I)
AFS1	X	X	T2: 5A/250V
AFS2	T2: 5A/250V	TSAL/125V	T2: 5A/250V
AFS3	T80mAL/250V	T160mAL/250V	T80mAL/250V
AFS4	X	X	T80mAL/250V

FW3

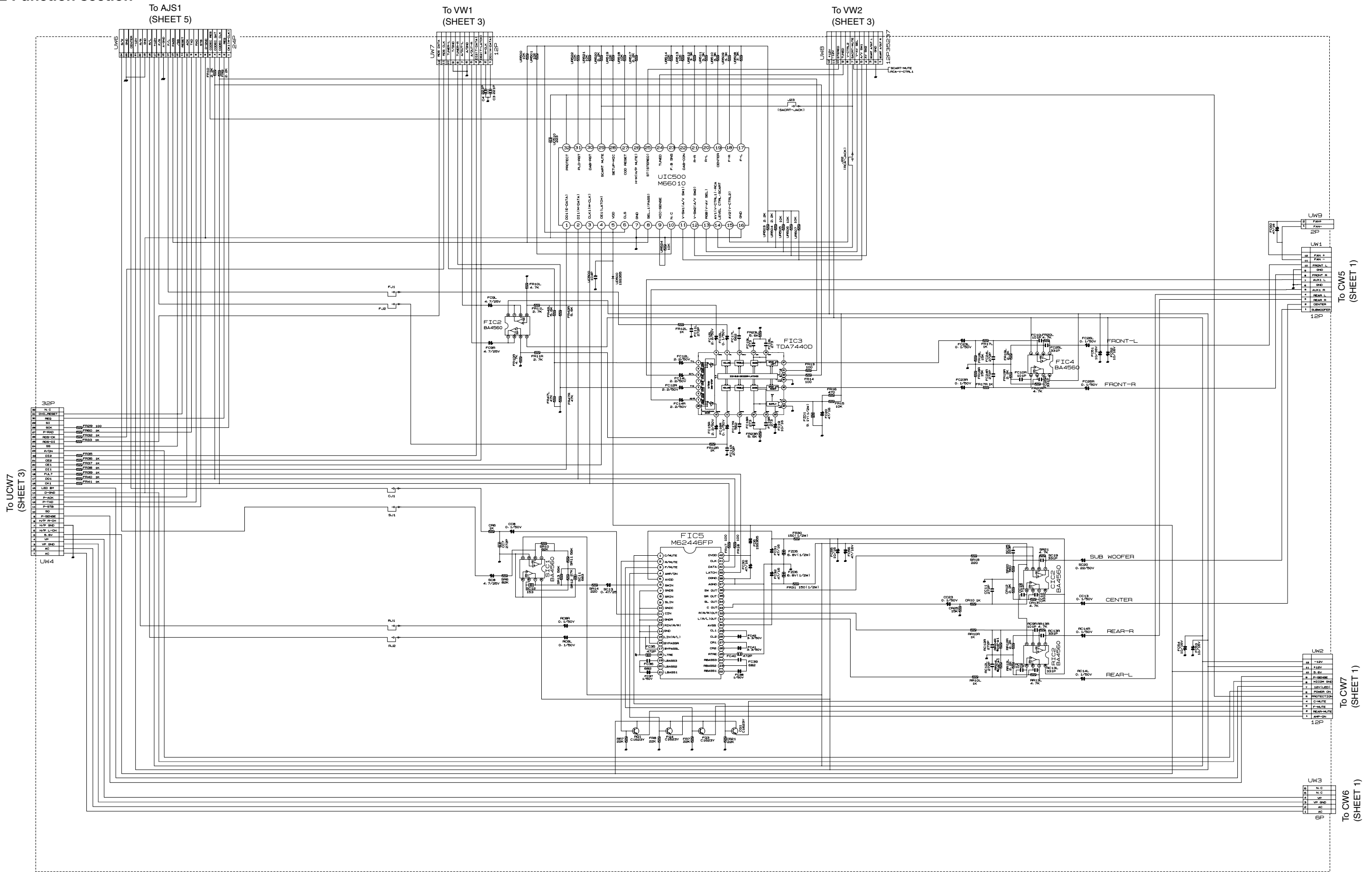
AC GND	1
DC GND	2
D 1HS	3
D 2HS	4
D 3HS	5
D 4HS	6
D 5HS	7
D 6HS	8
D 7HS	9
D 8HS	10
D 9HS	11
D 10HS	12



DUAL VOLT AREA OPTION
UB, UG, UJ, UW

MAIN PCB POWER BLOCK

Function section



To AJS1
(SHEET 5)

To VW1
(SHEET 3)

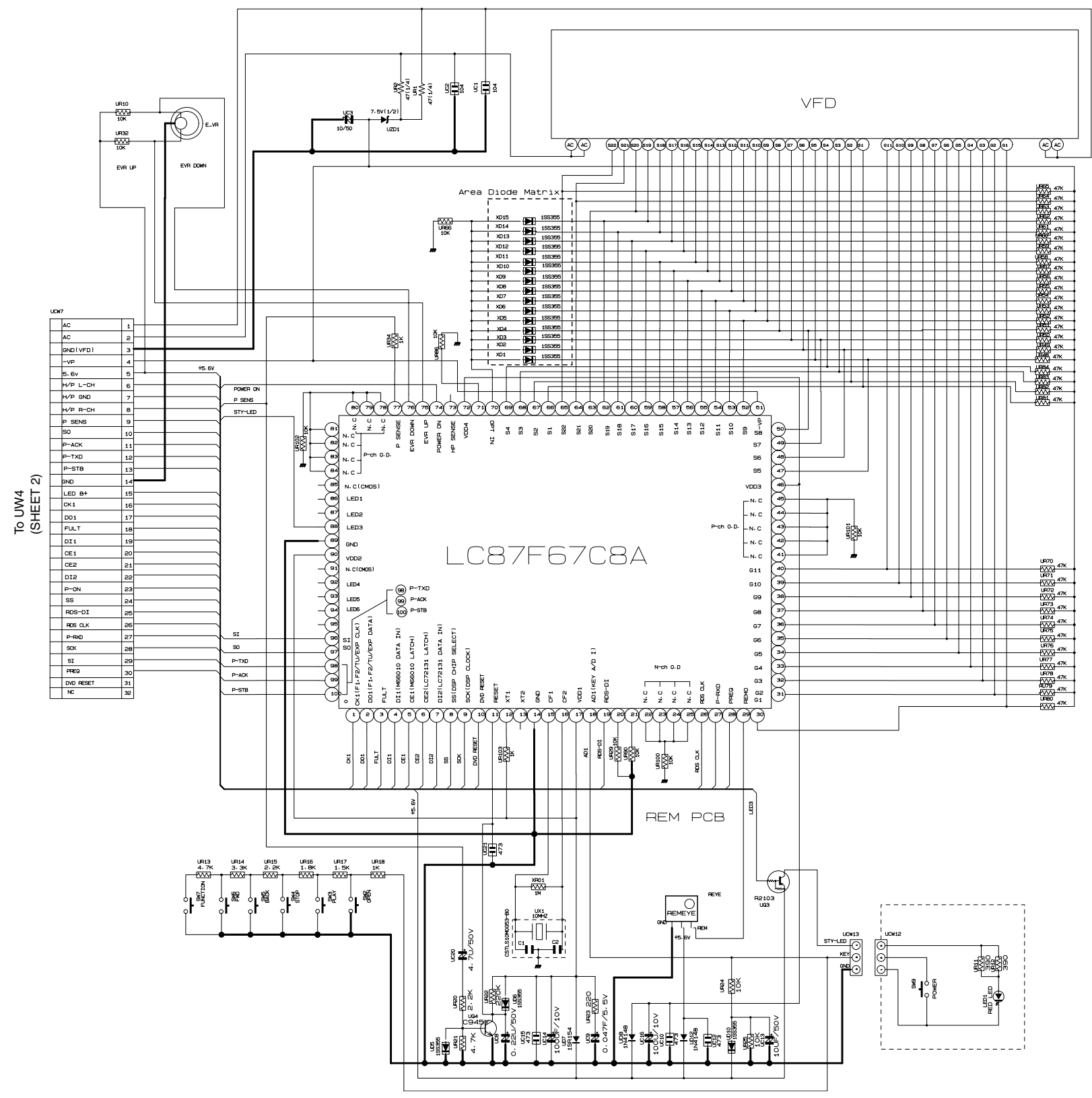
To VW2
(SHEET 3)

To CW5
(SHEET 1)

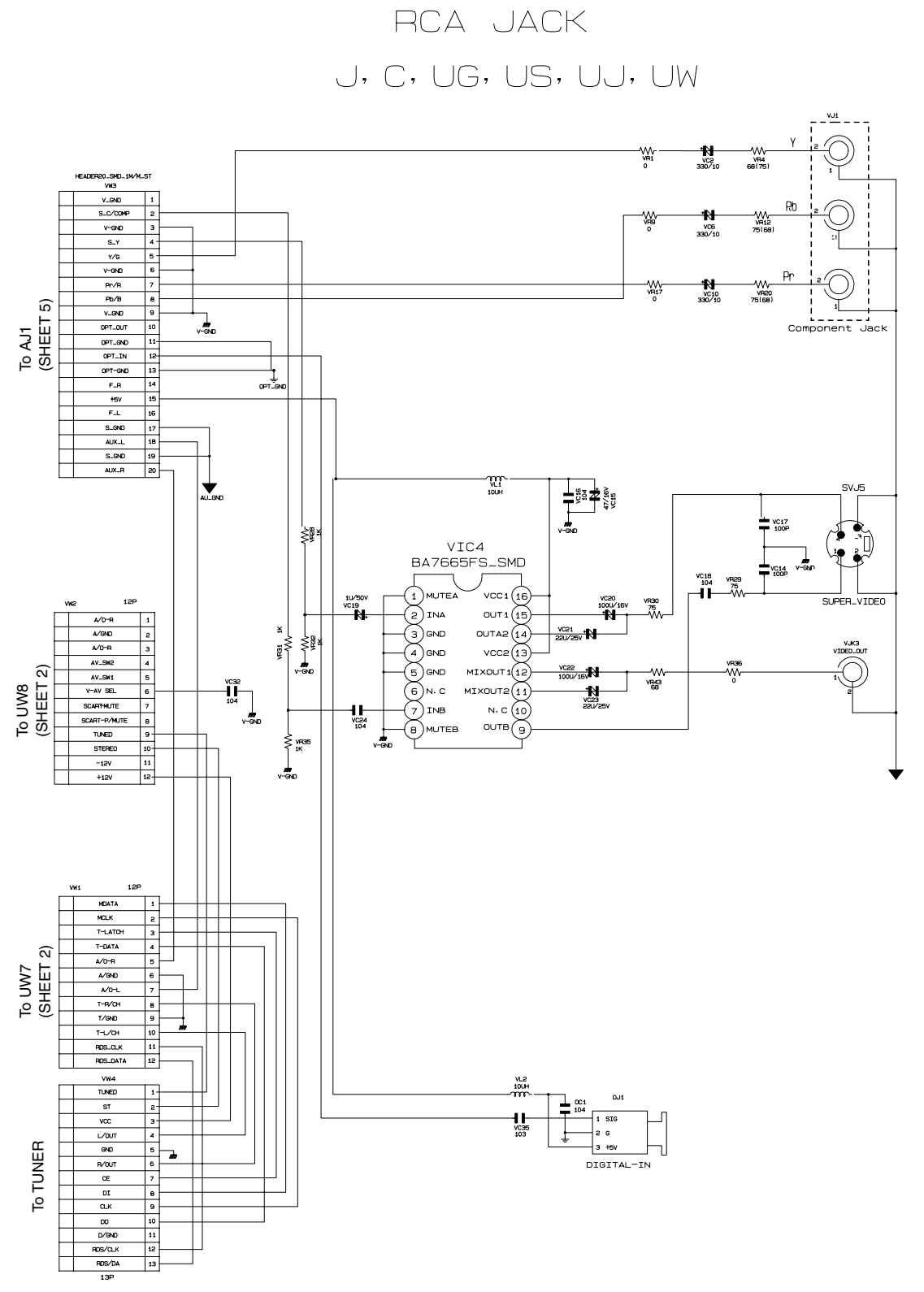
To CW7
(SHEET 1)

To CW6
(SHEET 1)

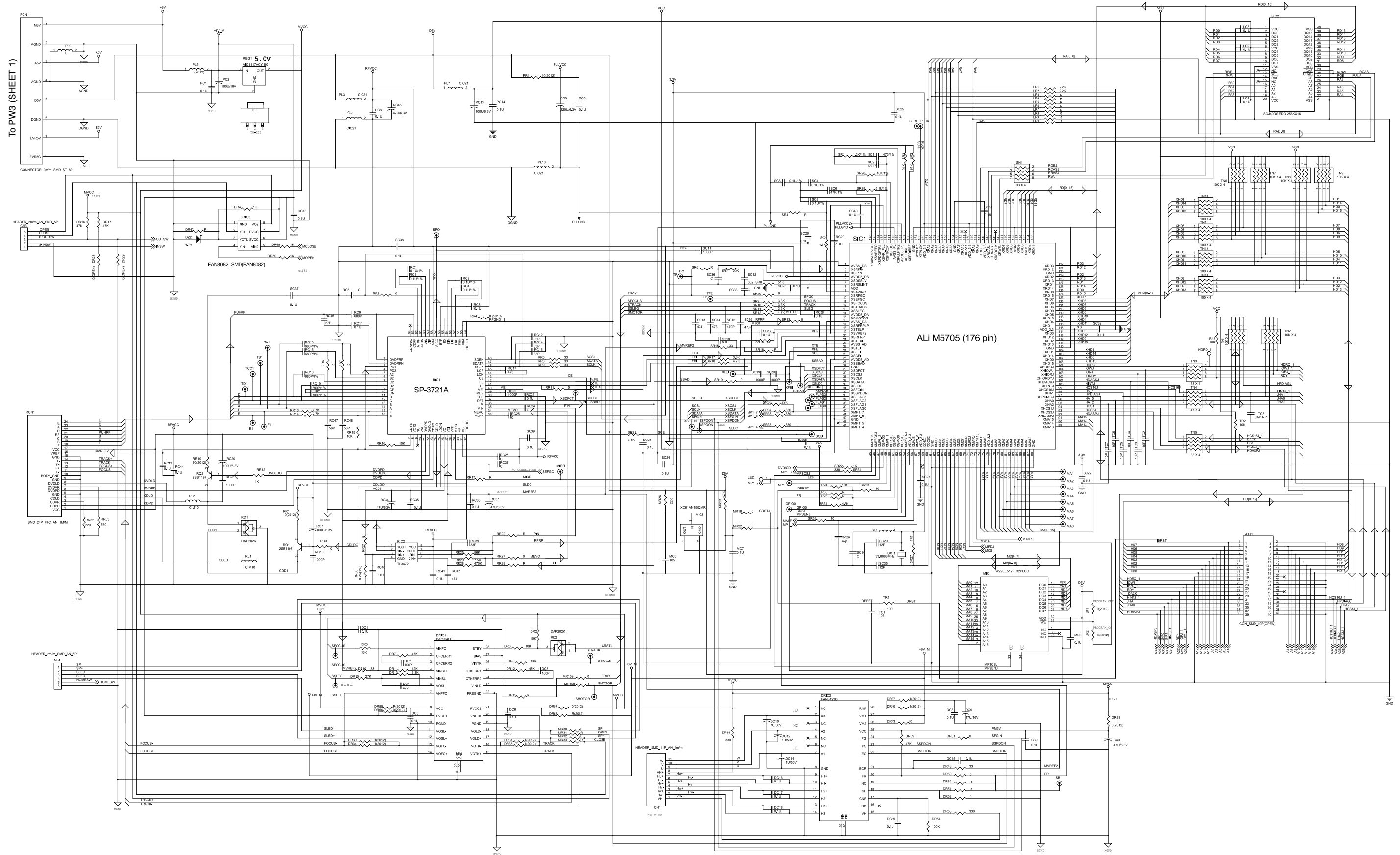
■ Front display section



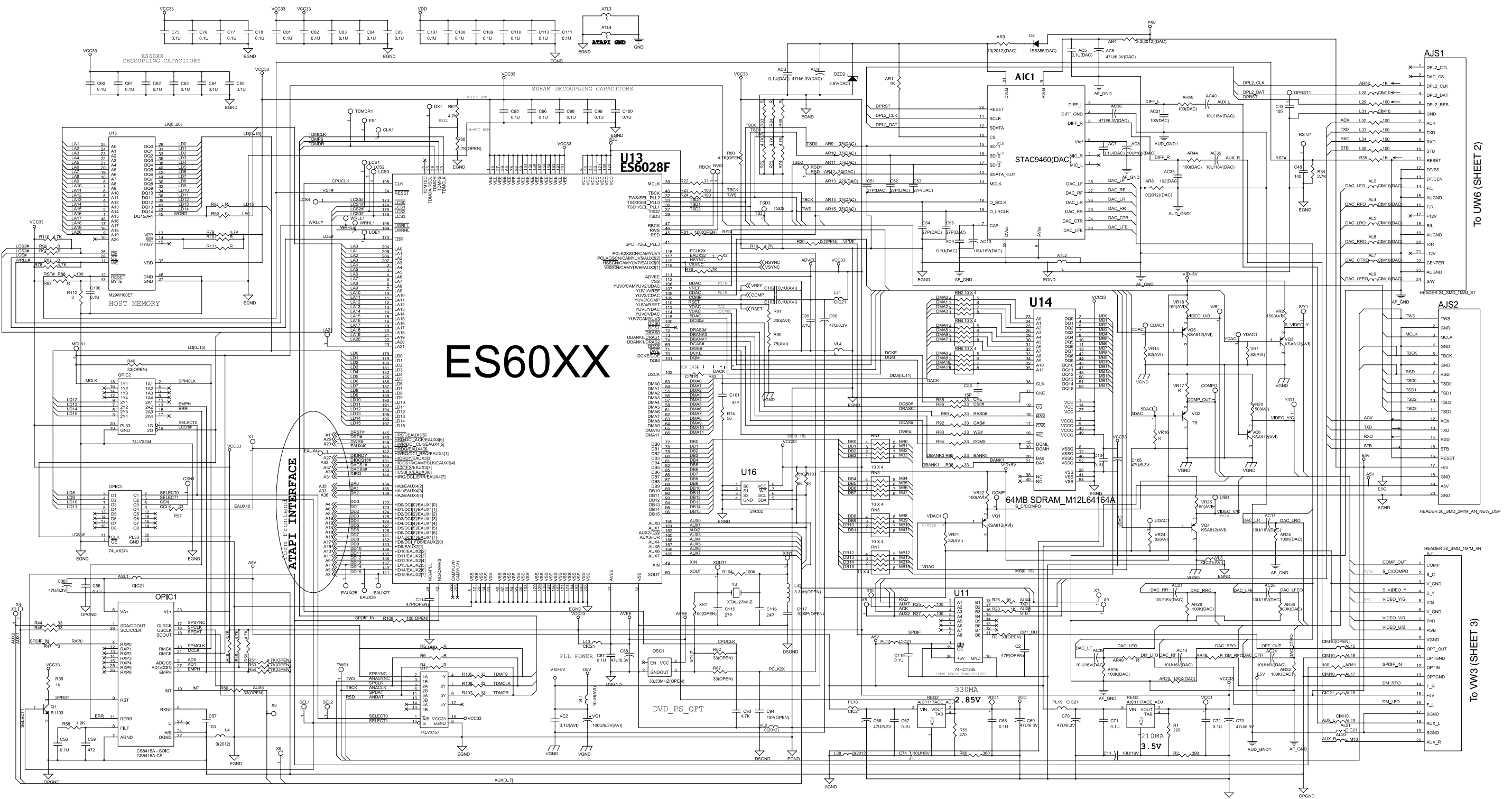
■ Video section



DVD loader section



DVD MPEG DEC section



ES60XX

To UW6 (SHEET 2)

To WW3 (SHEET 3)