

SHARP SERVICE MANUAL

SEMK76DW18H/2

CW-100 CHASSIS

PAL SYSTEM COLOUR TELEVISION

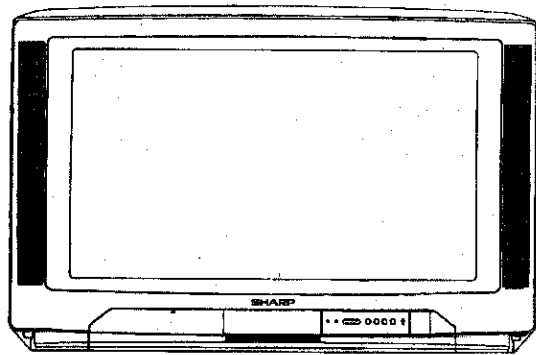


DOLBY SURROUND

PRO • LOGIC

66DW-18H

MODELS 76DW-18H

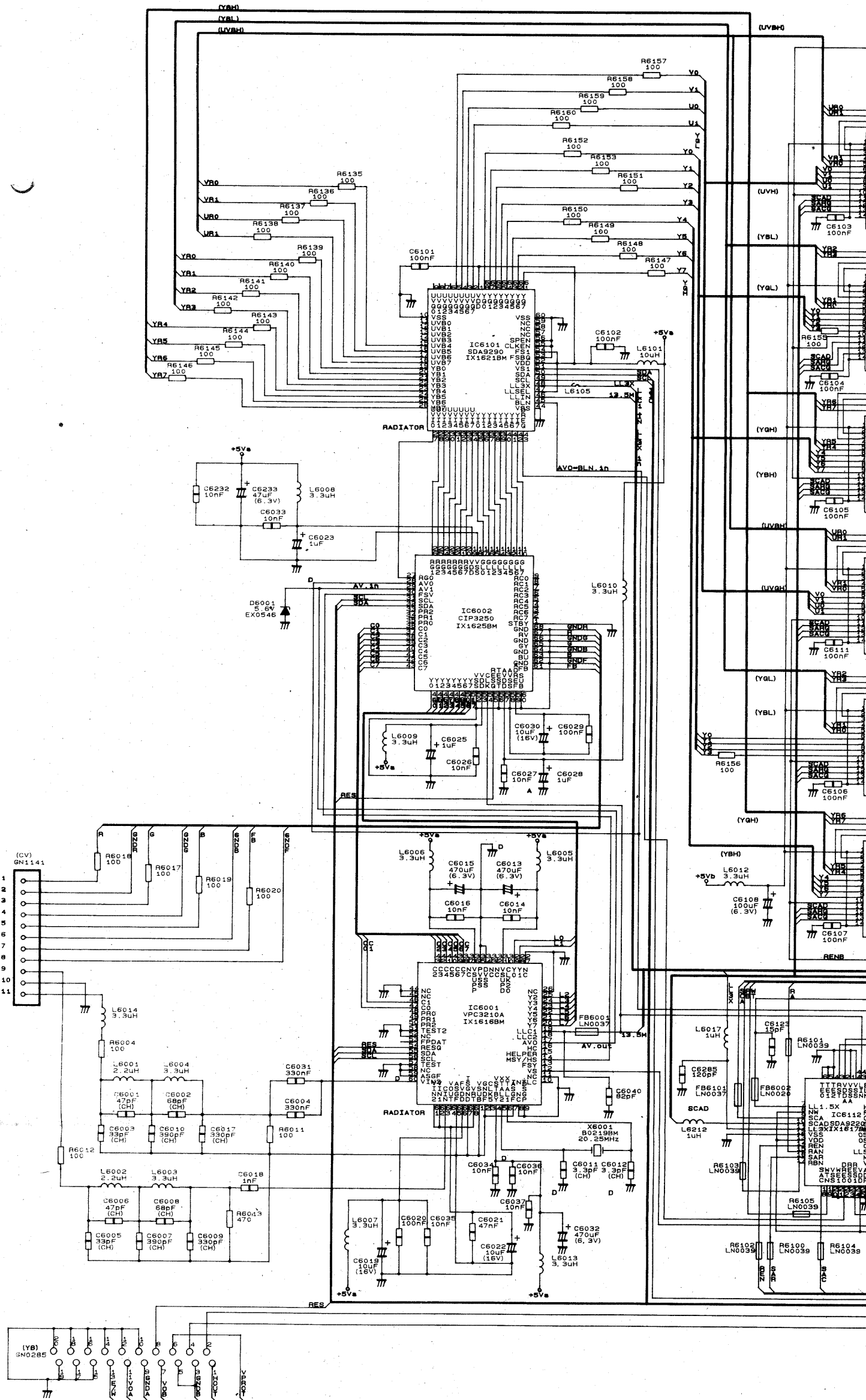


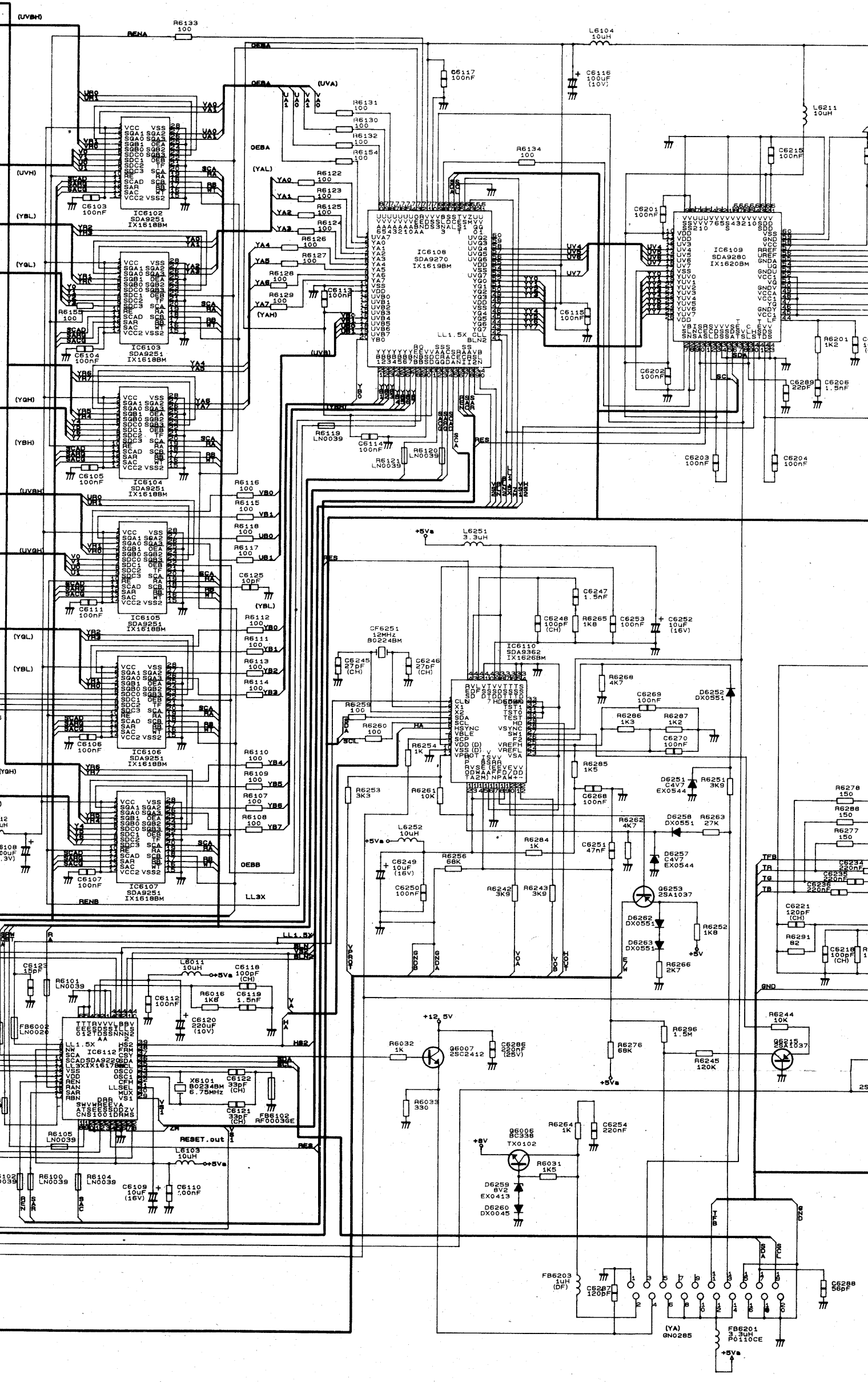
In the interests of user safety (required by safety regulations in some countries) the set should be restored to its original condition and only parts identical to those specified be used.

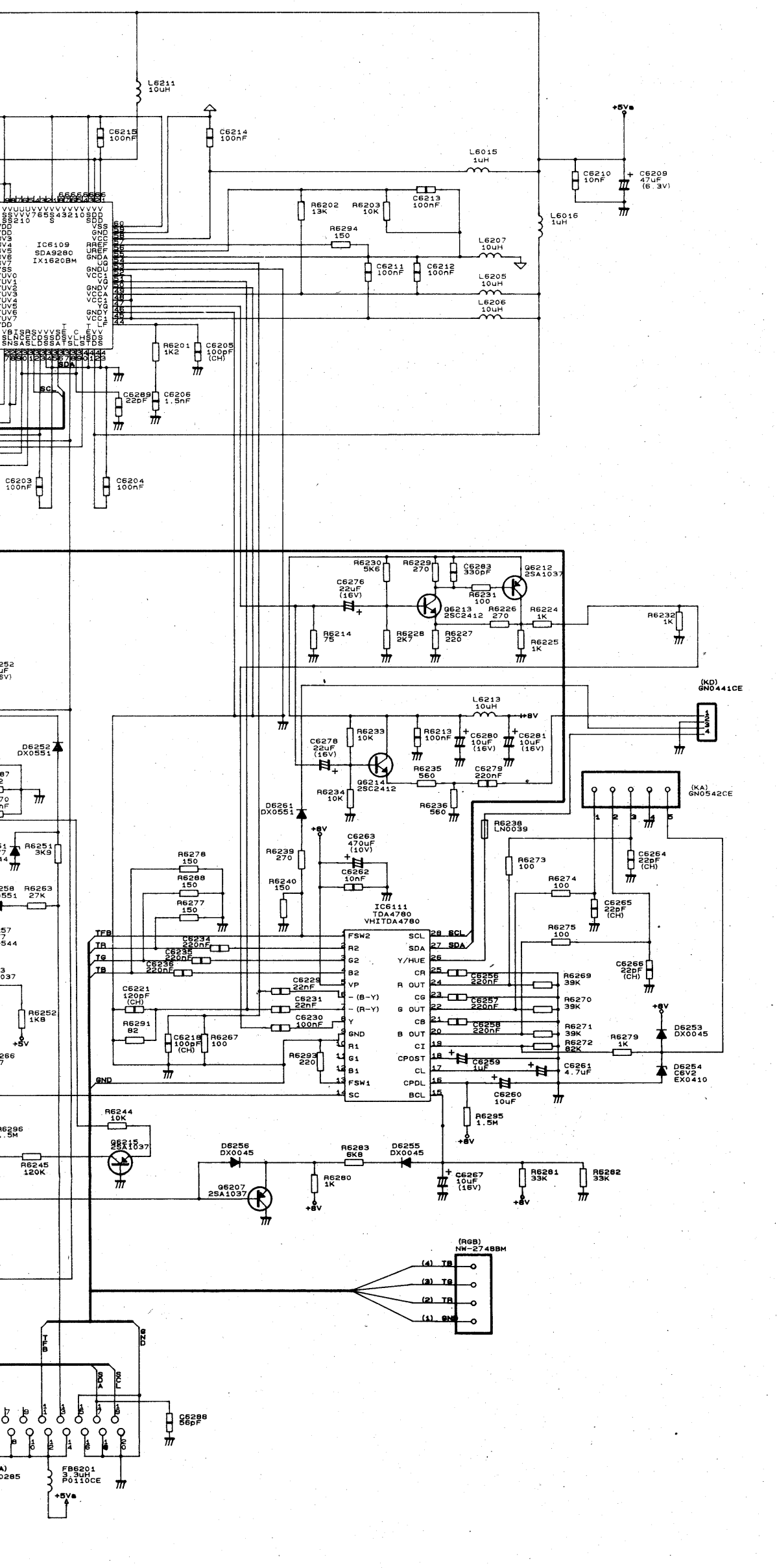
CONTENTS

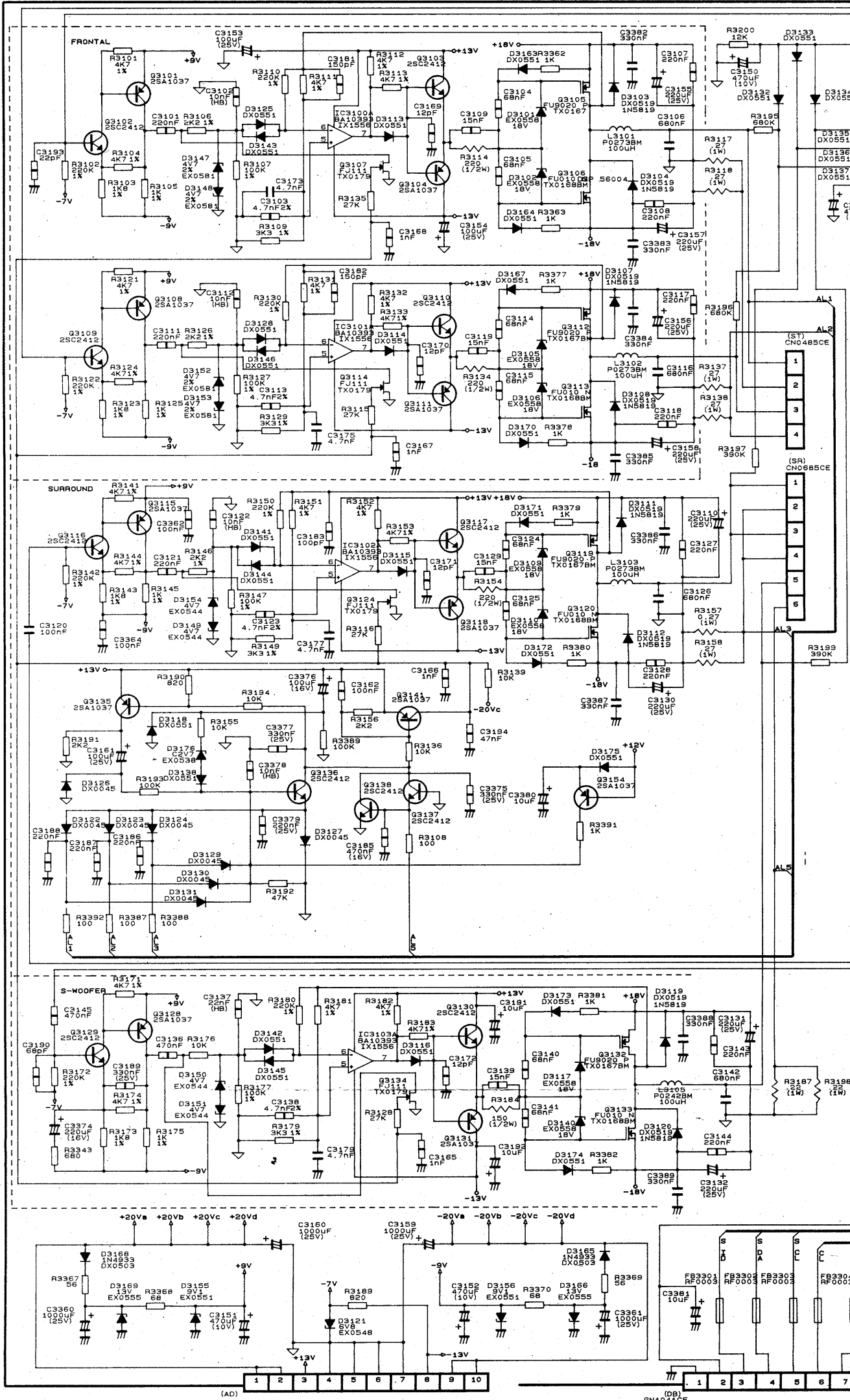
ELECTRICAL SPECIFICATIONS	2	SCHEMATIC DIAGRAM AND	
IMPORTANT SERVICE NOTES	3	WAVE FORM	18
SERVICE ADJUSTMENTS	4	BLOCK DIAGRAM	28
PRINTED WIRING BOARDS	9	PARTS LIST	29

SHARP CORPORATION

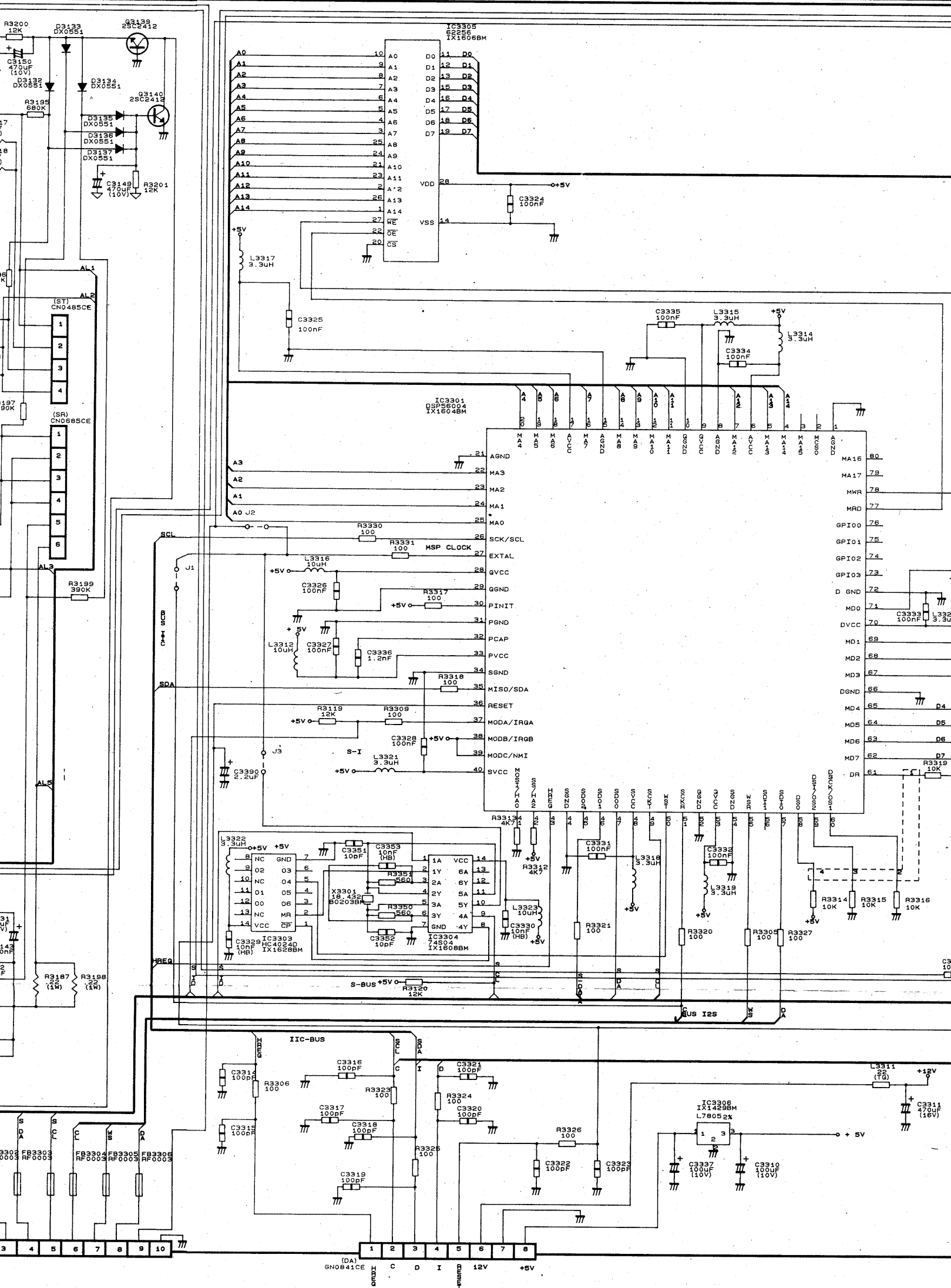








CP20404D

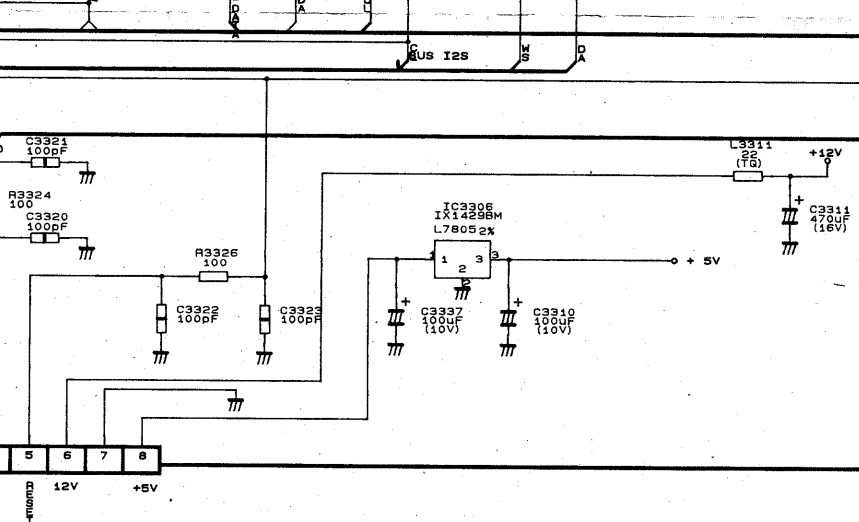
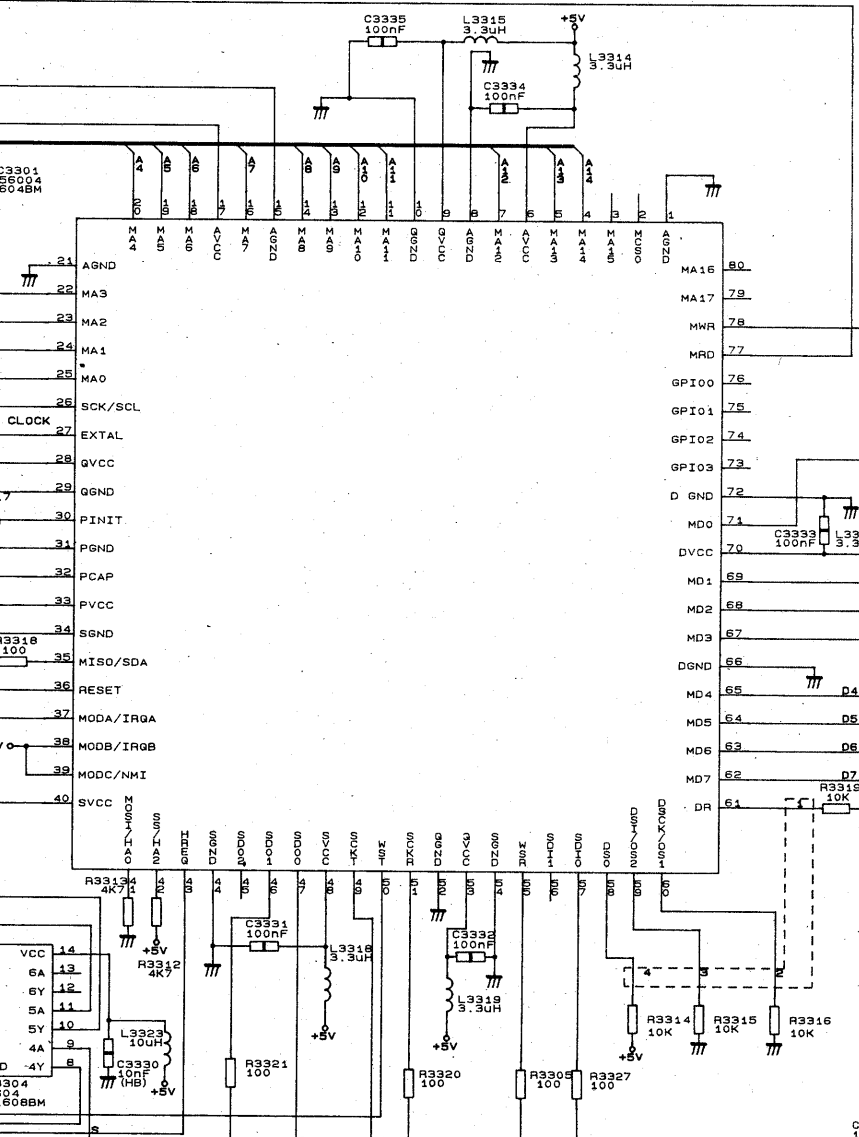
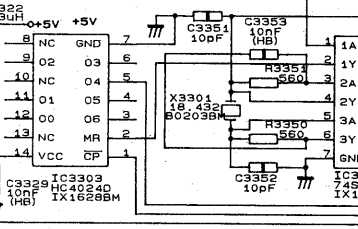
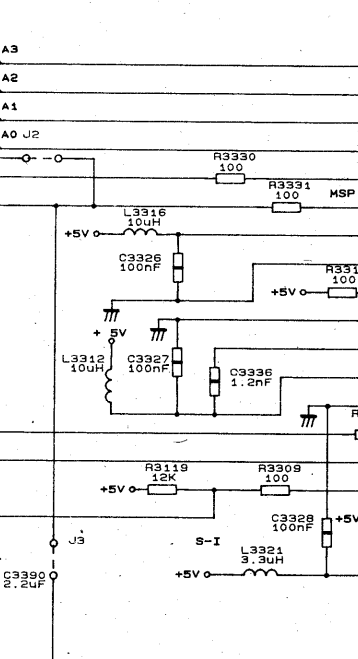
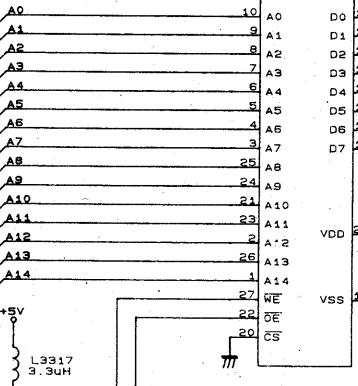


IC3305
62256
IX1606BM

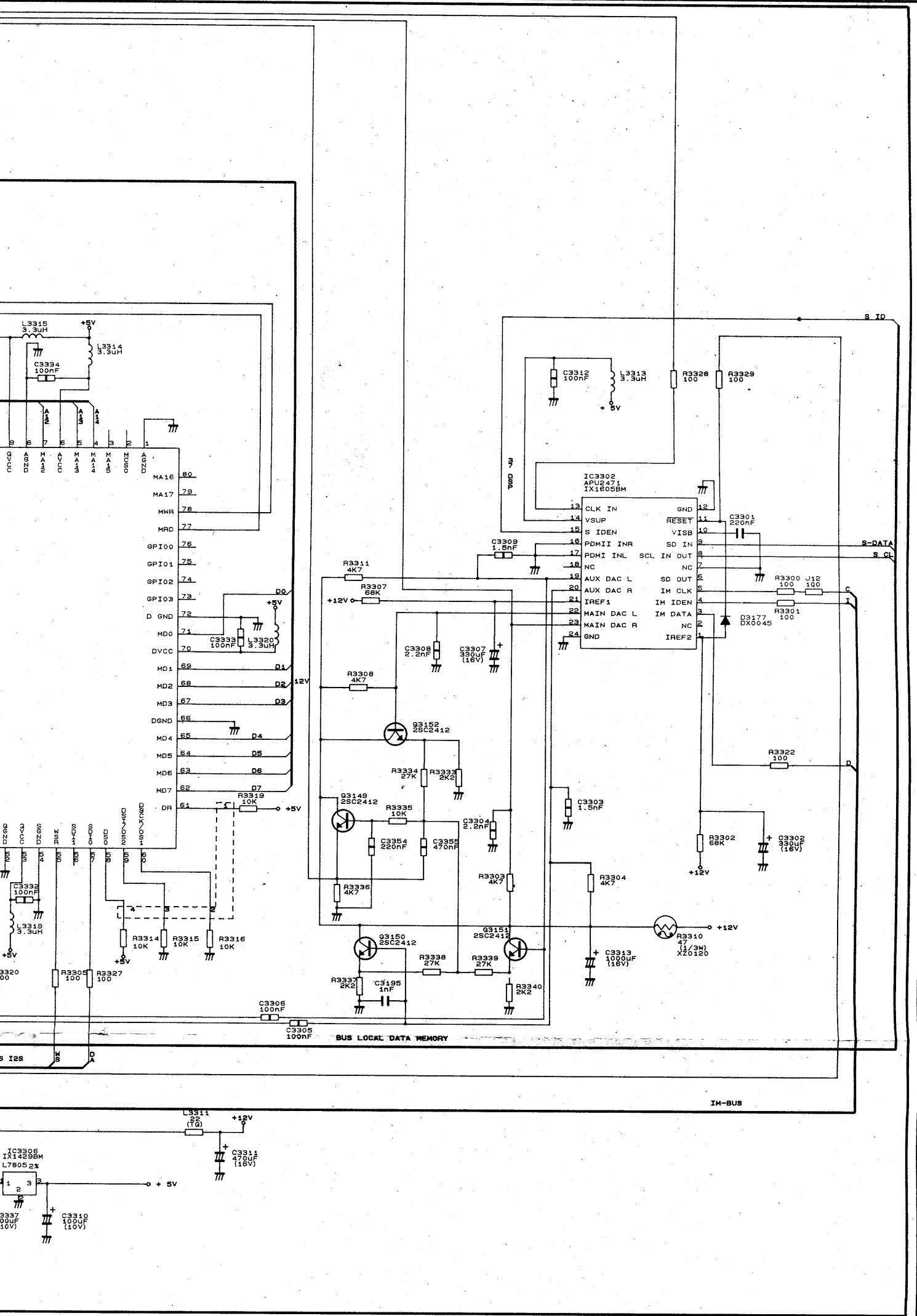
IC3304
74604
IX1604BM

IC3306
HC4024D
IX1628BM

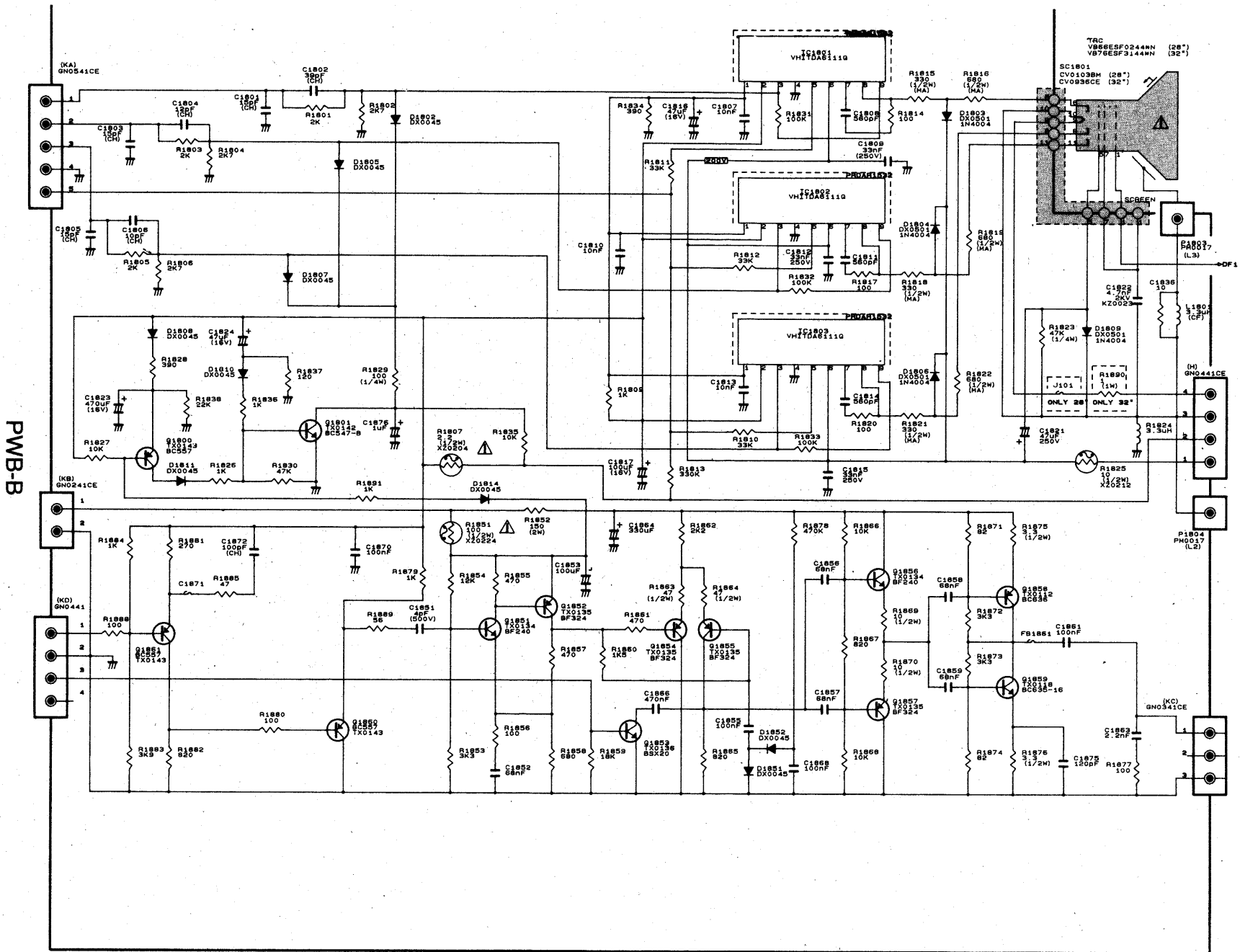
IC3306
L7805 2x



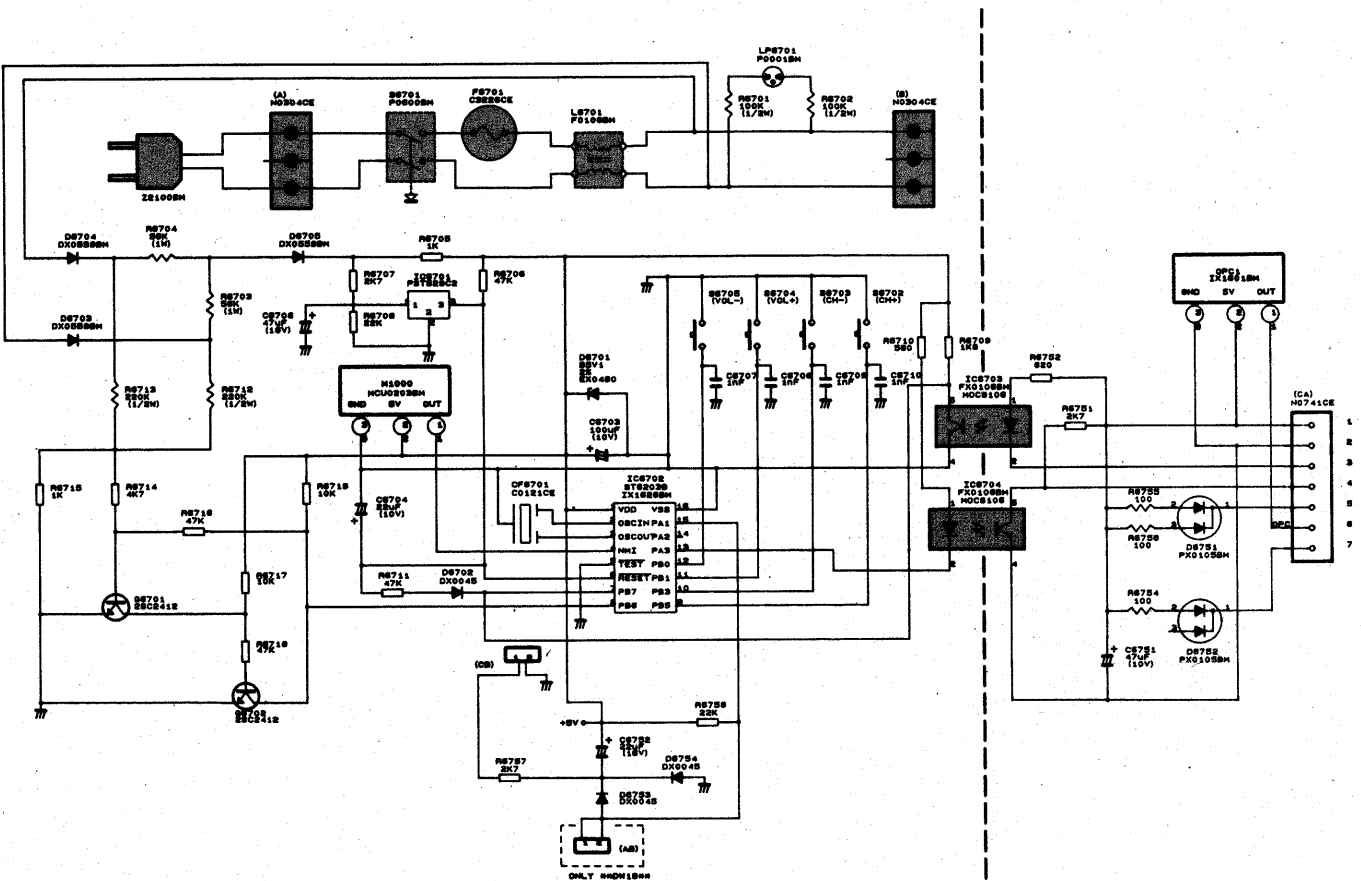
(DA) GN0641CE
1 2 3 4 5 6 7 8
SMD I2S C D I 12V +5V



SCHEMATIC DIAGRAM SOCKET UNIT



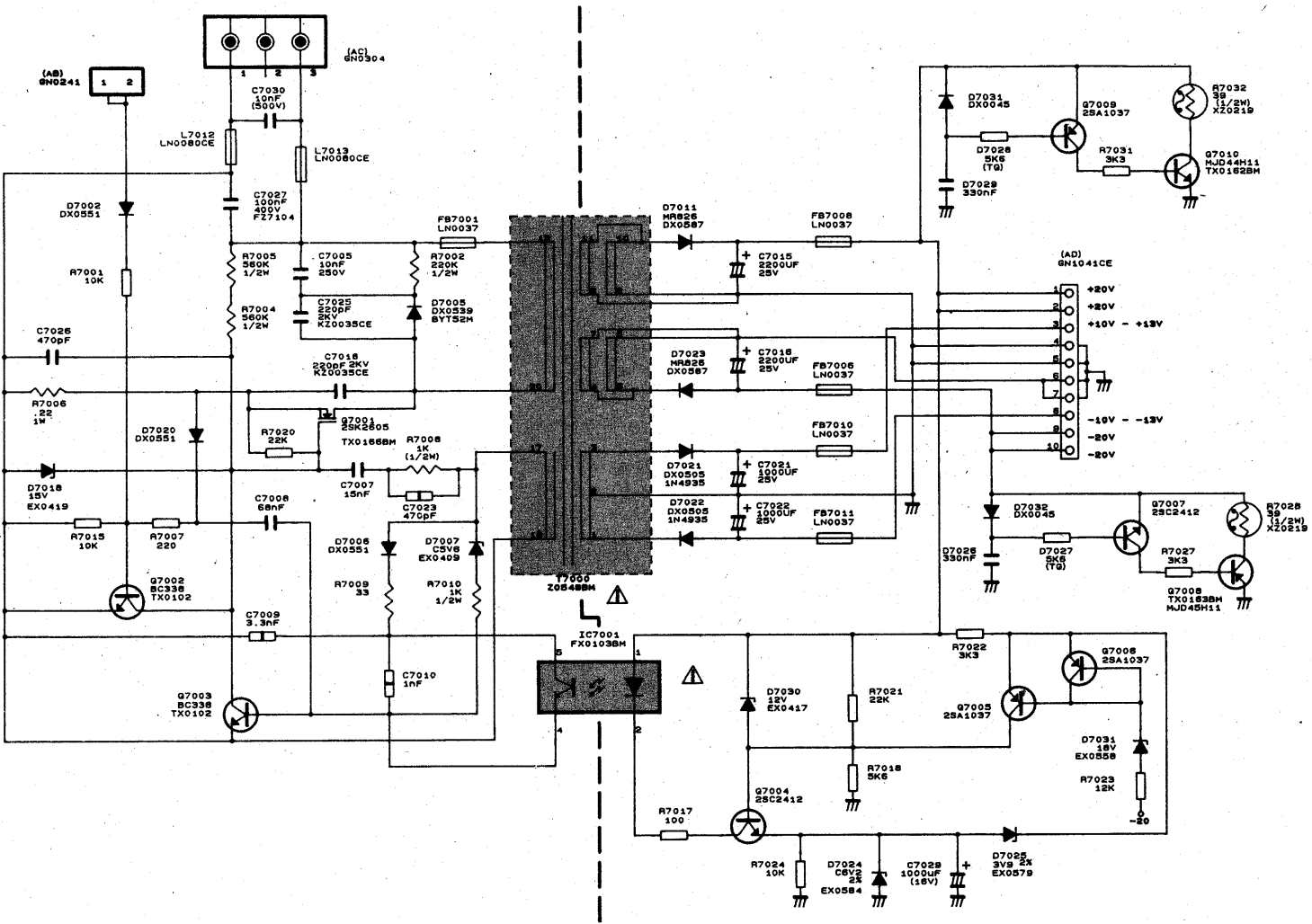
SCHEMATIC DIAGRAM CONTROL UNIT



PWB-F

A B C D E F G H I
1 2 3 4 5 6

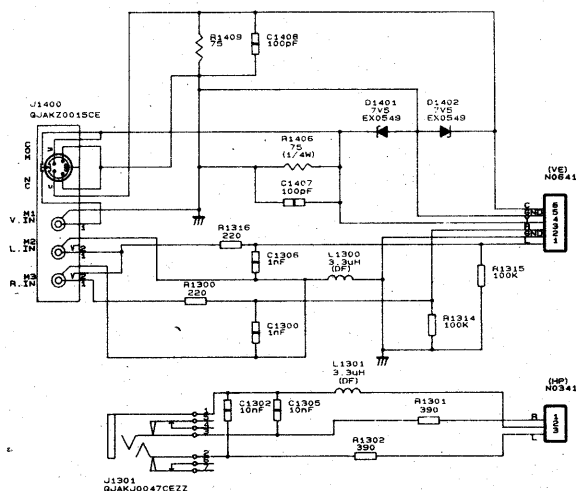
SCHEMATIC DIAGRAM AUX. POWER SUPPLY UNIT



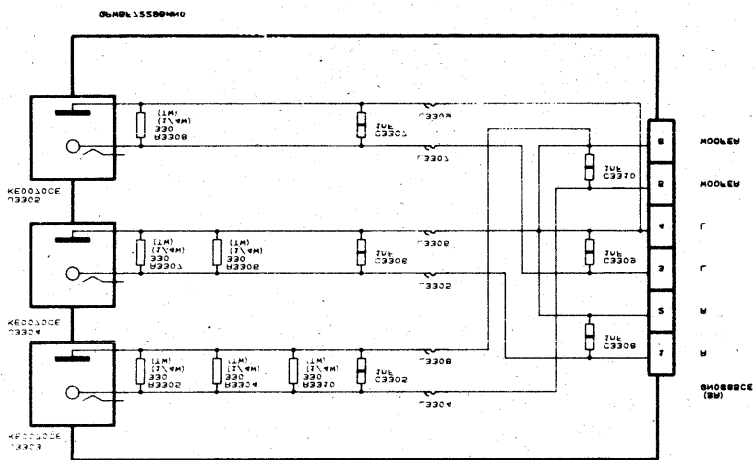
PWB-J

1
2
3
4
5
6

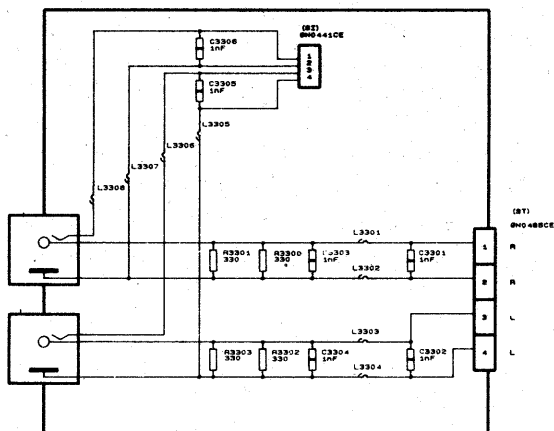
SCHEMATIC DIAGRAM



PWB-E

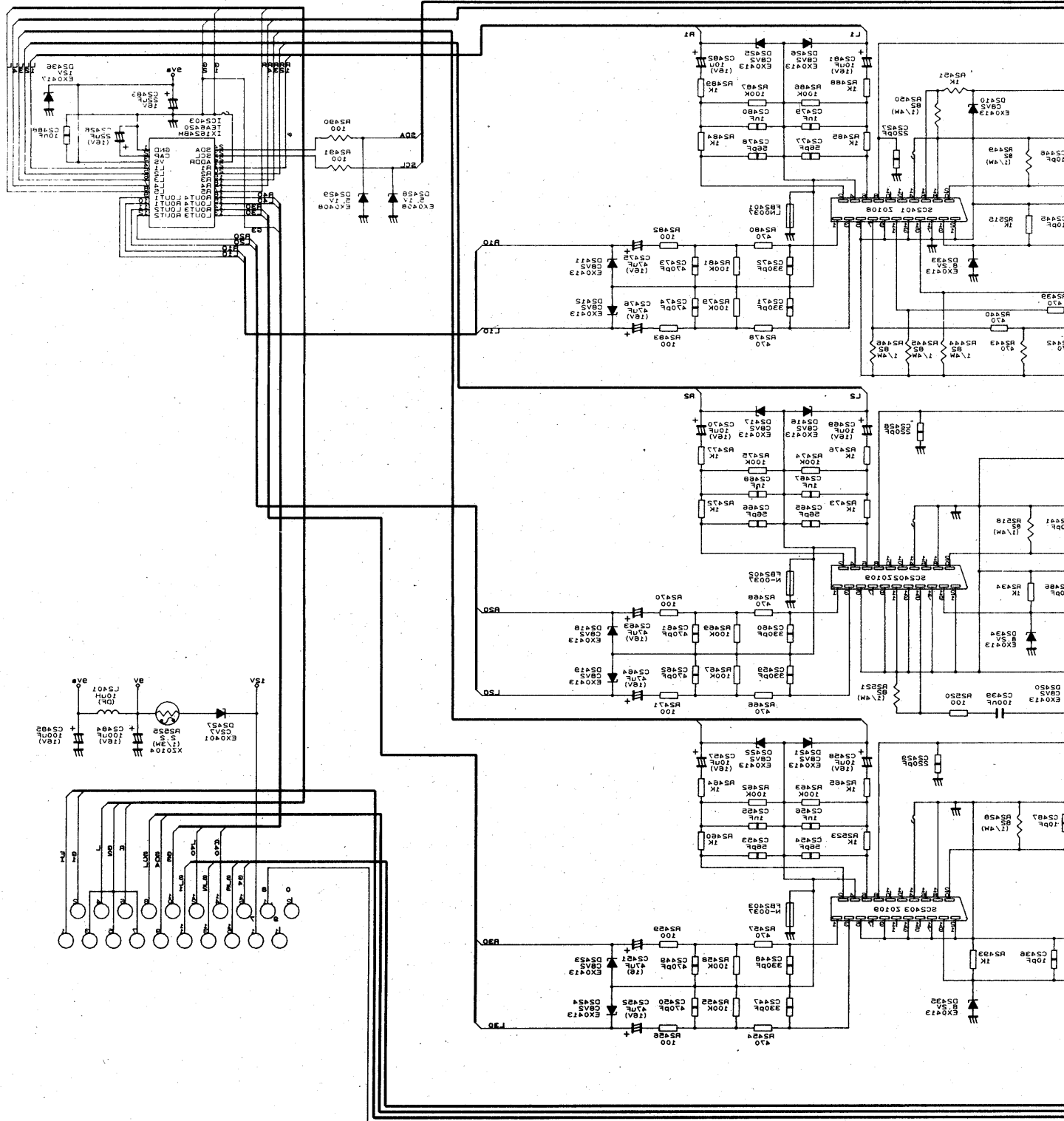


PWB-H



PWB-I

SCHEMATIC DIAGRAM A/V UNIT



PWB-D

