

# ***SERVICE GUIDE***

**KYE** SYSTEMS CORP.



**SP-HF1250X**

**Version:1.0**

**Total 14 Pages (Cover Page included)**

**Revision History**

Version	Date	Changes
1 . 0	Official Release	

<b>Table of Contents</b>
--------------------------

*Revision History*.....1

*Table of Contents*.....2

**Getting Started**.....3

Conventions Used in this Guide.....3

Safety Precautions.....3

**Chapter1. How to Handle Defective Returns**.....4

1.1 Overview.....4

1.2 Problems.....5

1.2.1 Power LED (indicator) Unlight.....6

1.2.2 Does not work or one channel no sound.....7

1.2.3 Noise.....7

**Chapter2. Specifications**.....8

**Chapter3. Block Diagram**.....9

**Chapter4. Exploded View**.....10

**Chapter5. Part List**.....11

**Chapter6. Important Notes**.....12

6.1 Packing Requirement for sending the PCB Assembly by post.....12

6.2 Short of Spare Parts while Repairing a Speaker System.....12

**Chapter7. Circuit Schematic**.....13

## Getting Started

### Conventions Used in this Guide

---



**Attention**

**Pay Special Attention: Instructions that are important to remember and may prevent mistakes.**



**Caution: Information that, if not followed, may result in damage to the product.**

### Safety Precautions

---

The following precautions should be observed in handling the speaker described in this guide:

Place the speakers on a flat , level and stable surface.

Do not place the speakers in environments subject to mist, smoke, vibration, excessive dust, salty or greasy air, or other corrosive gases and fumes.

Do not drop or jolt the speakers.

Do not allow anything to drop into the subwoofer case through its ventilator, as it could result in fatal electric shock or fire.

Place the unit far enough from other equipments for good heat dissipation.

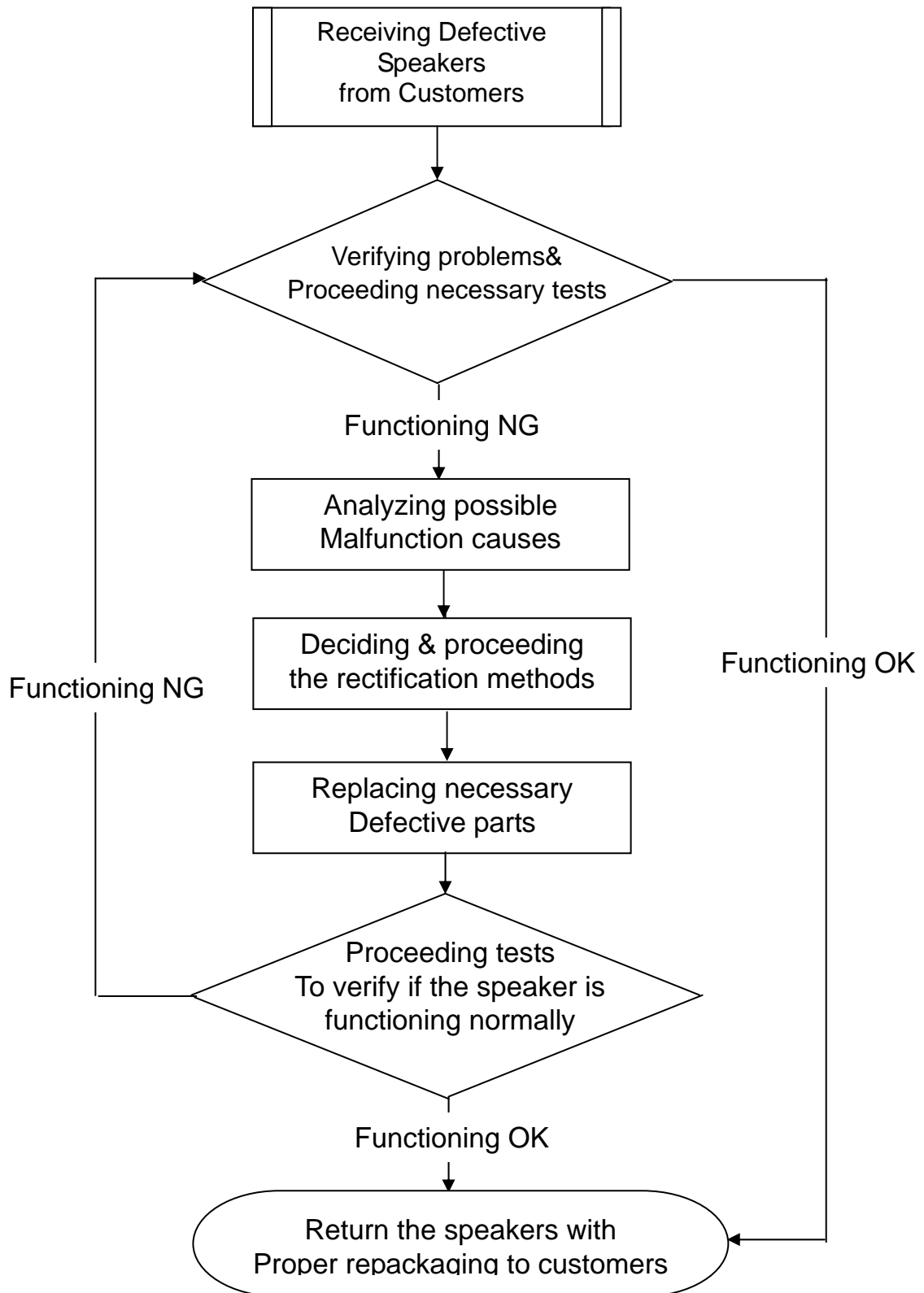
Disconnect the AC power cord from the AC outlet before performing any maintenance on the speakers.

Do not perform any maintenance with wet hand.

Prevent foreign substance, such as water, other liquids or chemicals, from entering the speakers while performing maintenance procedures on the speakers.

**Chapter 1. How to Handle Defective Returns**

**1.1 Overview**



## **1.2 Problems**

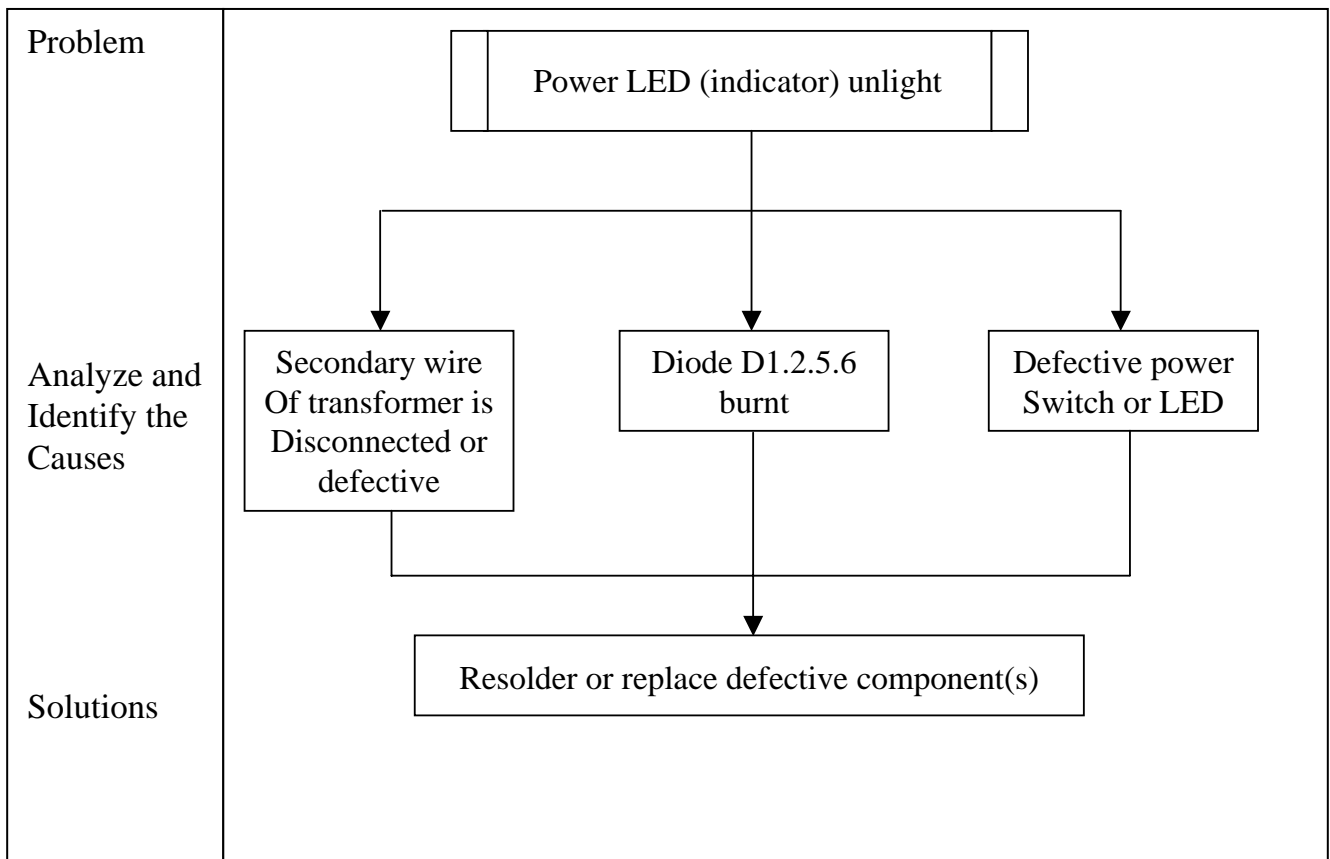
<b>Item</b>	<b>Problem descriptions</b>
1.2.1	<u>Power LED (indicator) unlight</u>
1.2.2	<u>Does not work or one channel no sound</u>
1.2.3	<u>Noise</u>



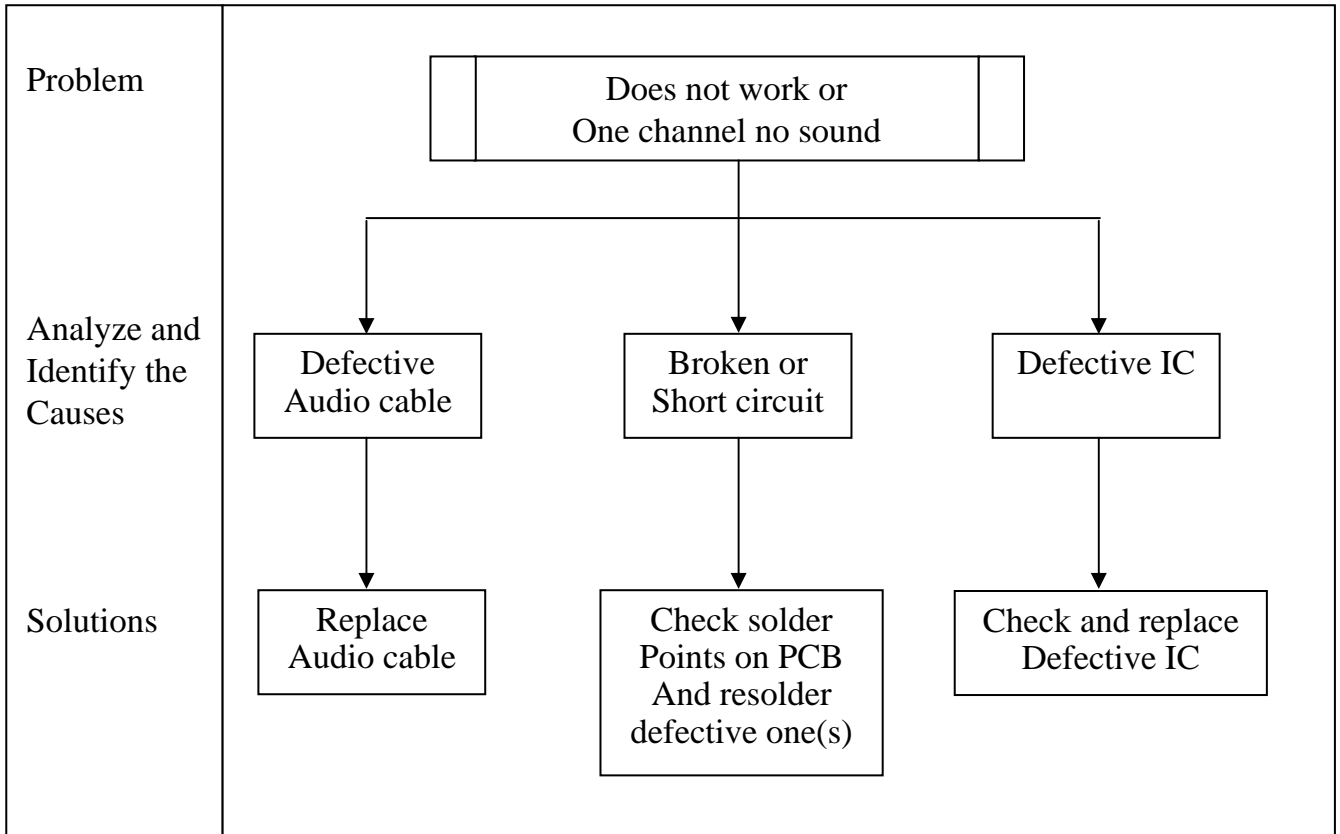
**Attention**

Please follow the numbered sequence marked with parenthesis given in individual Flow chart, in that this is the best-recommended sequence to rectify the problems.

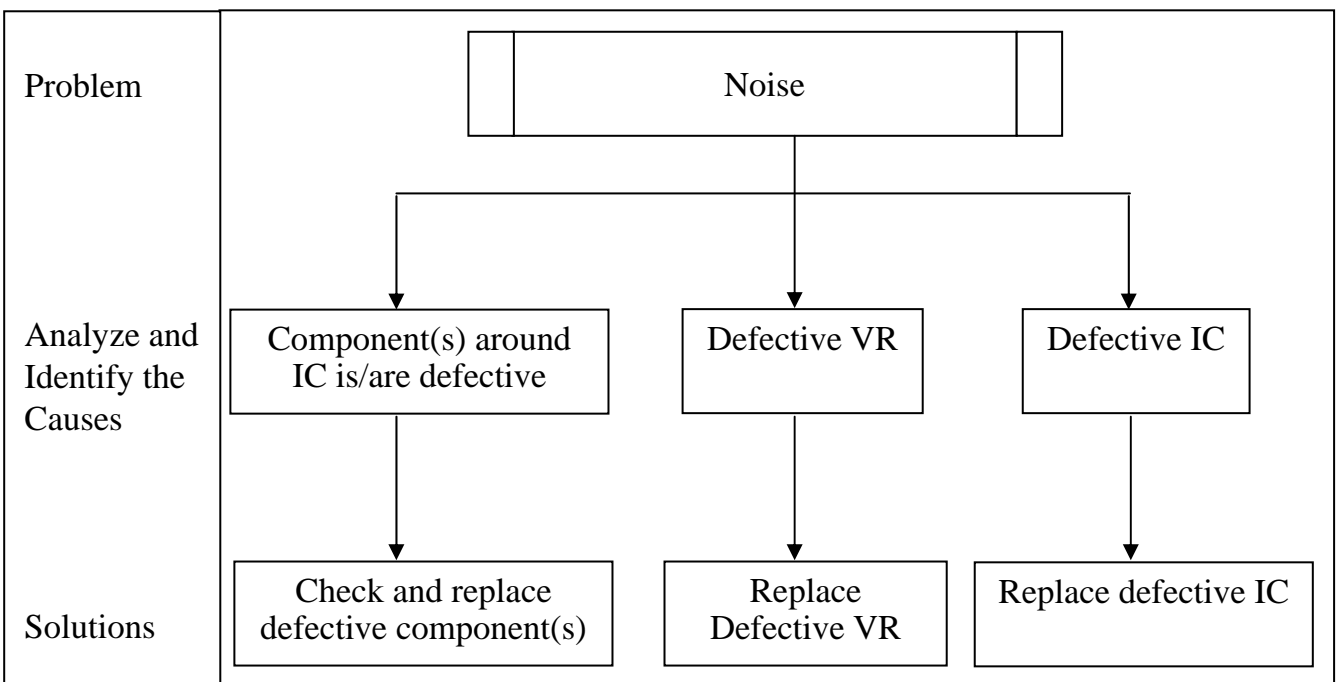
**1.2.1 Power LED (indicator) unlight**



### 1.2.2 Does not work jor jone channel no sound



### 1.2.3 Noise





**Chapter 2. Specifications**

<b>No.</b>	<b>DESCRIPTION</b>	<b>UNIT</b>	<b>NOMINAL</b>	<b>LIMIT</b>
1	INPUT SENSITIVITY AT 10%	mV	340	340+/-50
2	DISTORTION AT 1 KHz	%	0.15	<0.5
3	OUTPUT POWER AT 10% DISTORTION	W	18	18+/-1
4	S/N RATIO	dB	74	>60
5	CHANNEL SEPARATION	dB	49	>40
6	FREQUENCY RESPONSE			
	(DOWN 3dB)	(LOW)	Hz	+/-10%
		(HIGH)	KHz	+/-10%
7	HUM LEVEL (AT VOL. MIN.)	mV	1	<3
	HUM LEVEL (AT VOL. MAX.)	mV	2.5	<5
8	OPERATING VOLTAGE			
			MAX.253VAC	
			MIN. 207VAC	

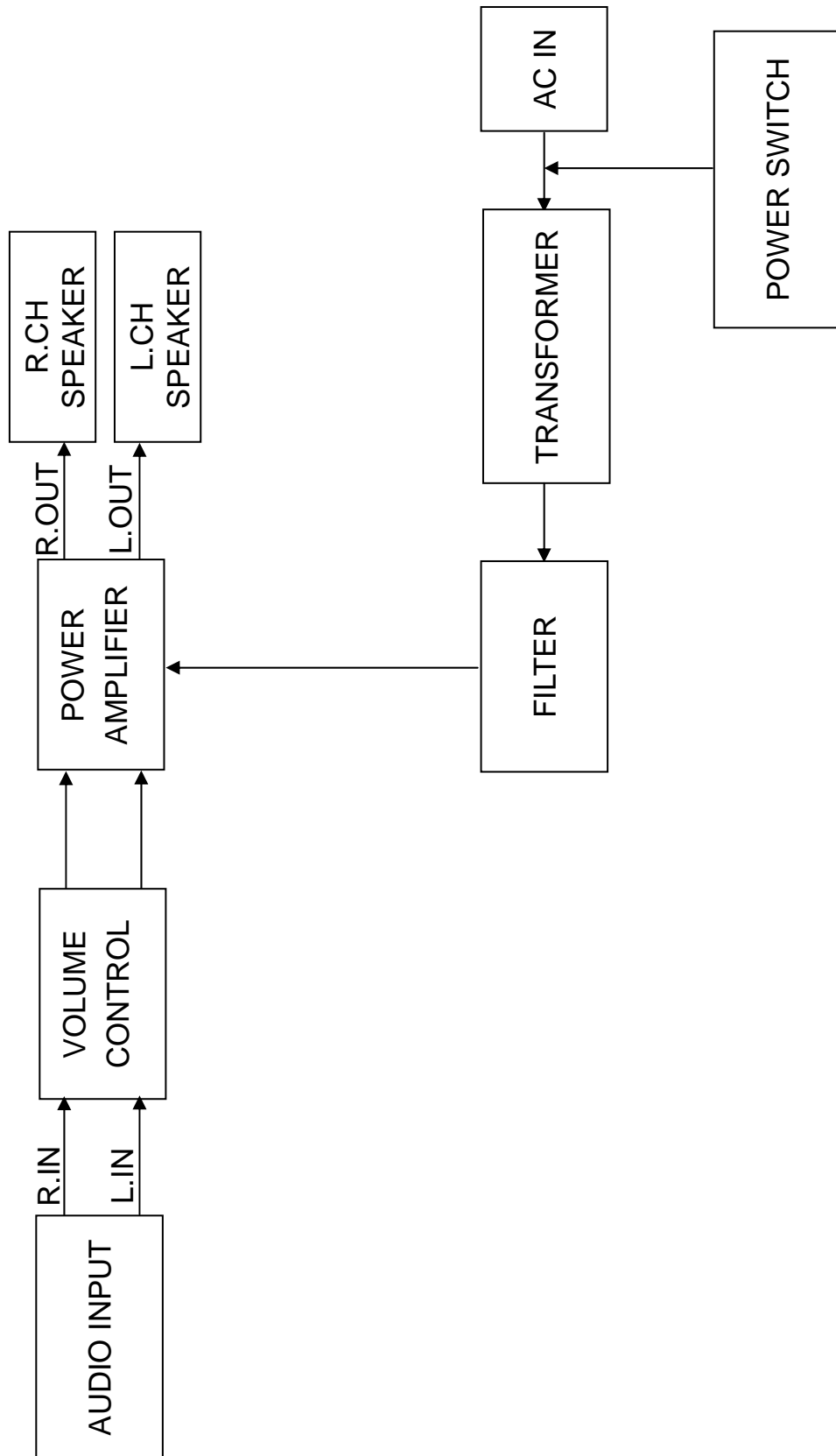
TEST CONDITION:

1) LOAD 4Ω

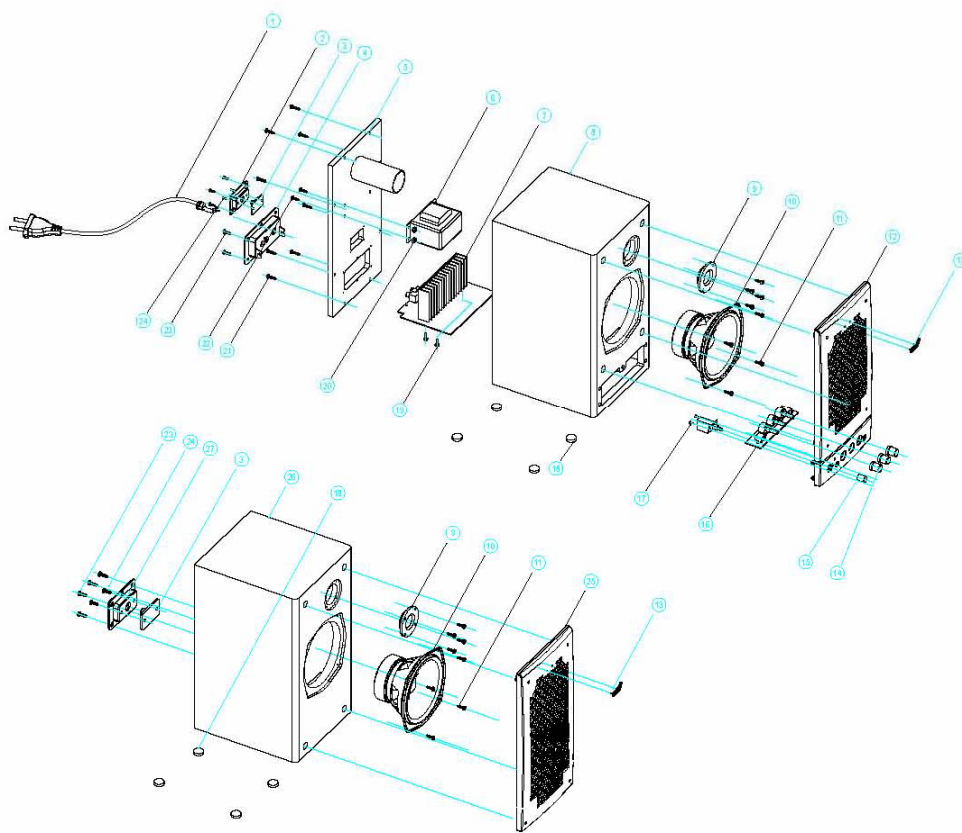
2 ) RATED POWER 1 W

VOLUME AT MAX.

**Chapter 3. Block Diagram**



**Chapter 4. Exploded View**



**Chapter 5. Part List**

Ref. No.	Description	RS Part No.	Mfr's Part No.
1	AC Cord, 5.9',Black Color 250V/2.5A 2PIN,CE Output Panel, SP-HF1250X, Black Color		17U2115125100-0
2	RCA, Yellow Color Input Panel, SP-HF1250X, Black Color		1
3	Rear board, SP-HF1250X, Black Color 9T MDF Transformer, 230V, 8V/250mA		0114HIPS00007-0
4	Function PCB Assembly, SP-HF1250X, 94V0 Wrap board(L) SP-HF1250X, 12T MDF		1
5	Speaker, 1" 4Ω , 15W		2021184084101-0
6	Speaker, 5.25" 4Ω, 20W, Magnetically Shielded		2
7	Screw, HSA3.5x16mm, Black Cloth frame(L), SP-HF1250X, Black Color		0114HIPS00021-0
8	Badge, SP-HF1250X, Silver Color ABS Knob, SP-HP1250X, Silver Color HIPS		1
9	Button, SP-HF1250X, Silver Color HIPS Control PCB Assembly, SP-HF1250X, 94V0		1003040910200-0
10	Screw, PWPA2.6x10mm, Black Rubber Foot One side tape glue		1
11	Screw, PPB 3x8mm, Black Nut M4, Black Color		2225400020001-0
12	Screw, BPA 3.5x20mm, Black Screw, WWPB M4x16mm, Black		1
13	Screw, BPA 3x12mm, Black Screw, BPA 3x10mm, Black		180103594V001-0
14	Cloth frame(R), SP-HF1250X, HIPS Black Color Wrap board(R),SP-HF1250X, 12T MDF		1
15	Terminal board, SP-HF1250X, Black Color HIPS		9401040012500-0
16			3
17			0820150401312-0

18			1
19			084020045A112-0
20			3
21			4102H35016A06-0
22			2
23			9101086078093-0
24			1
25			01070ABS03001-
26			01
27			0107HIPS00001-0
			1
			0107HIPS81001-0
			2
			180303594V001-0
			1
			4102N26010A02-0
			1
			4311020050010-0
			1
			4101P30008B02-0
			1
			4107300402020-0

			1 4102B35020A02-0
			1 4101N40060B02-0
			1 4102B30012A02G
			01 4102B30010A02-0
			1 9101086078105-0
			1 9401030011760-0
			1 0114HIPS00017-0
			1

## **Chapter 6. Important Notes**

### 6.1 Packing requirement for sending the PCB assembly by post

PCB assembly is a kind of sophisticated electronic circuit board. Well packing Will be required when sending them by post.

\*Some sophisticated IC components are mounted on the PCB assembly, hence it is necessary to pack each PCB assembly with a separate static protecting bag, in order to avoid static electricity.

\*Reliable external packing is also very important when sending the PCB assembly by post, in that it would avoid unnecessarily lost or damage.

### 6.2 Short of spare parts while repairing a speaker system

If you are short of spare parts when you have some speaker systems waiting to be repaired, it would be recommended to take the necessary parts from one Speaker system, so that you may have the as many speaker systems

