

10. SCHEMATIC CIRCUIT DIAGRAM

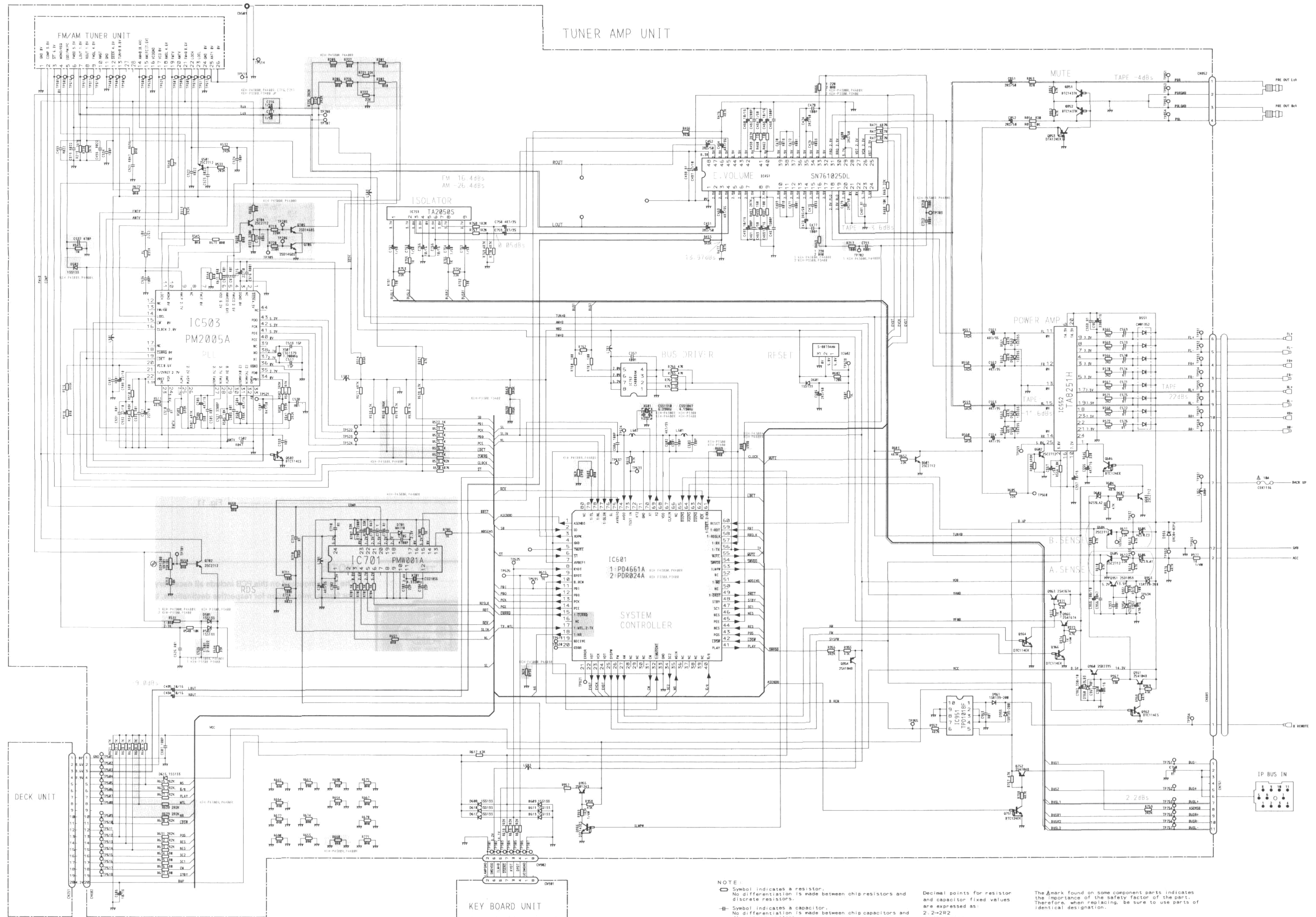


Fig. 10

TUNER AMP UNIT

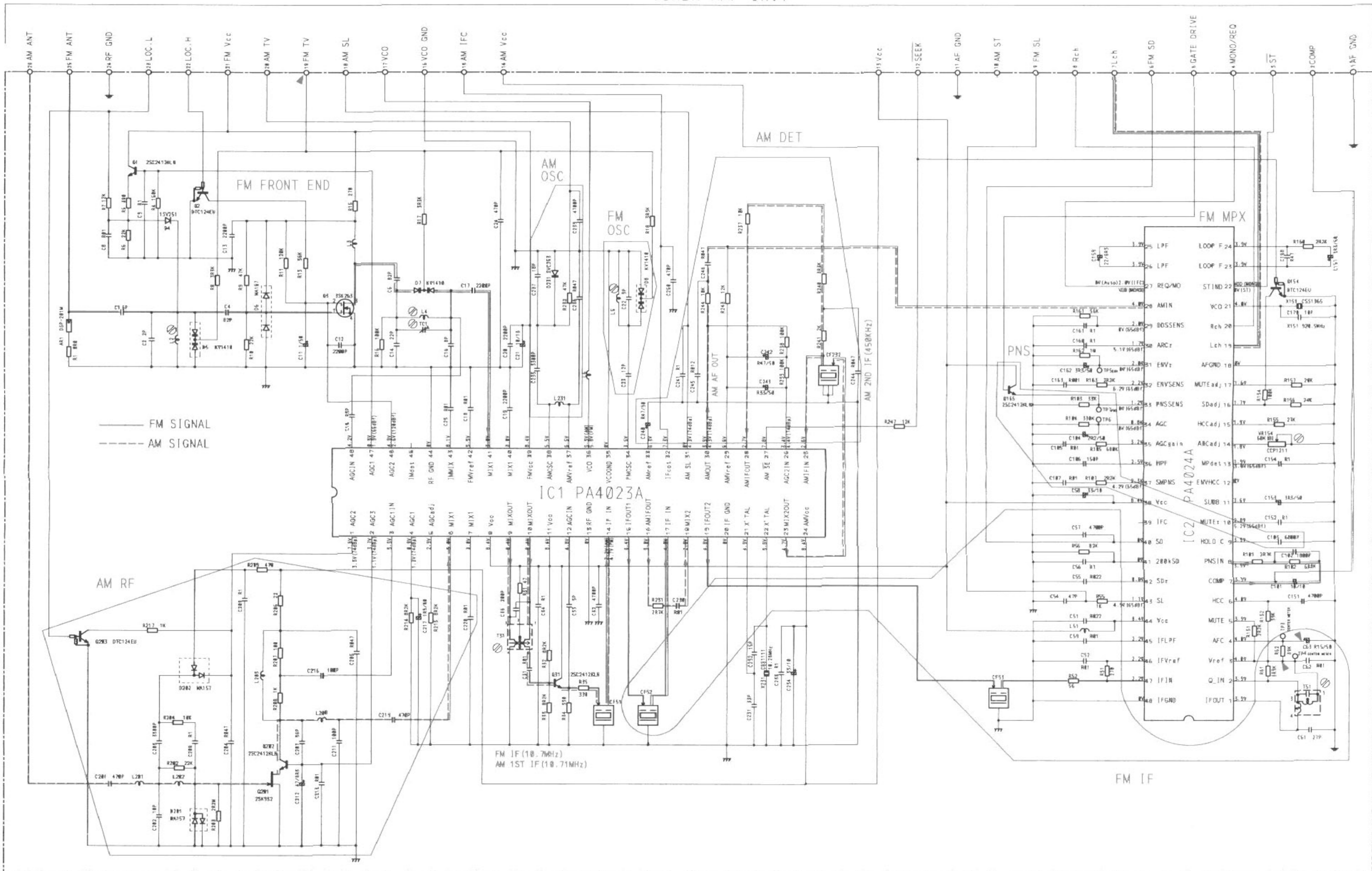
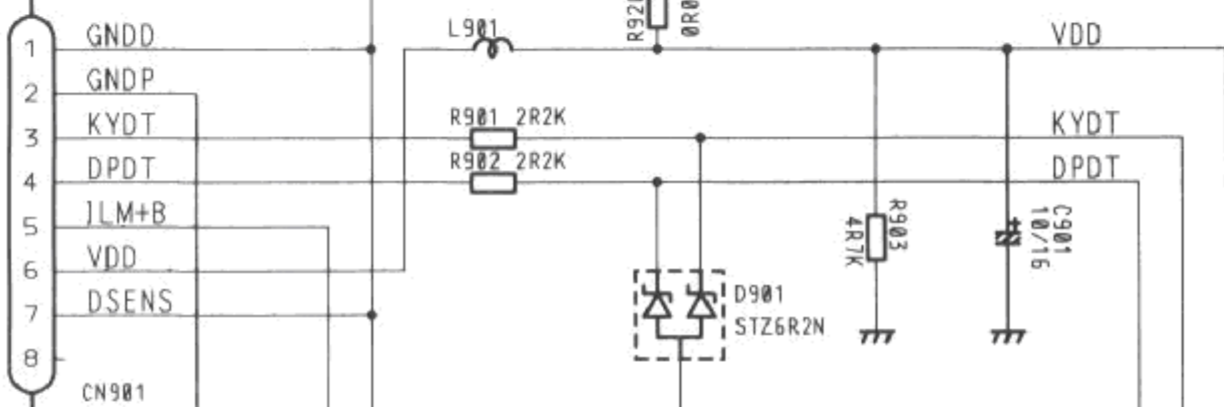
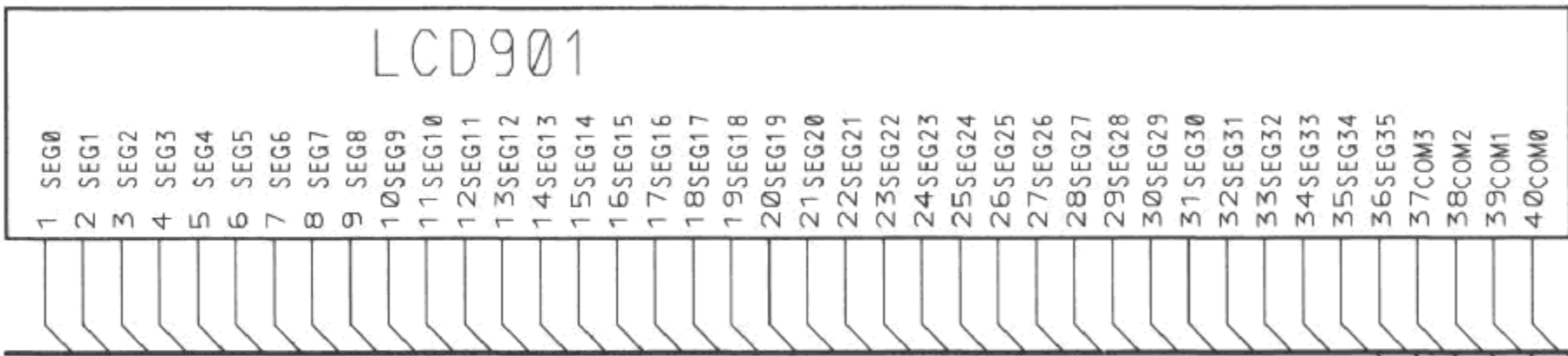


Fig. 11

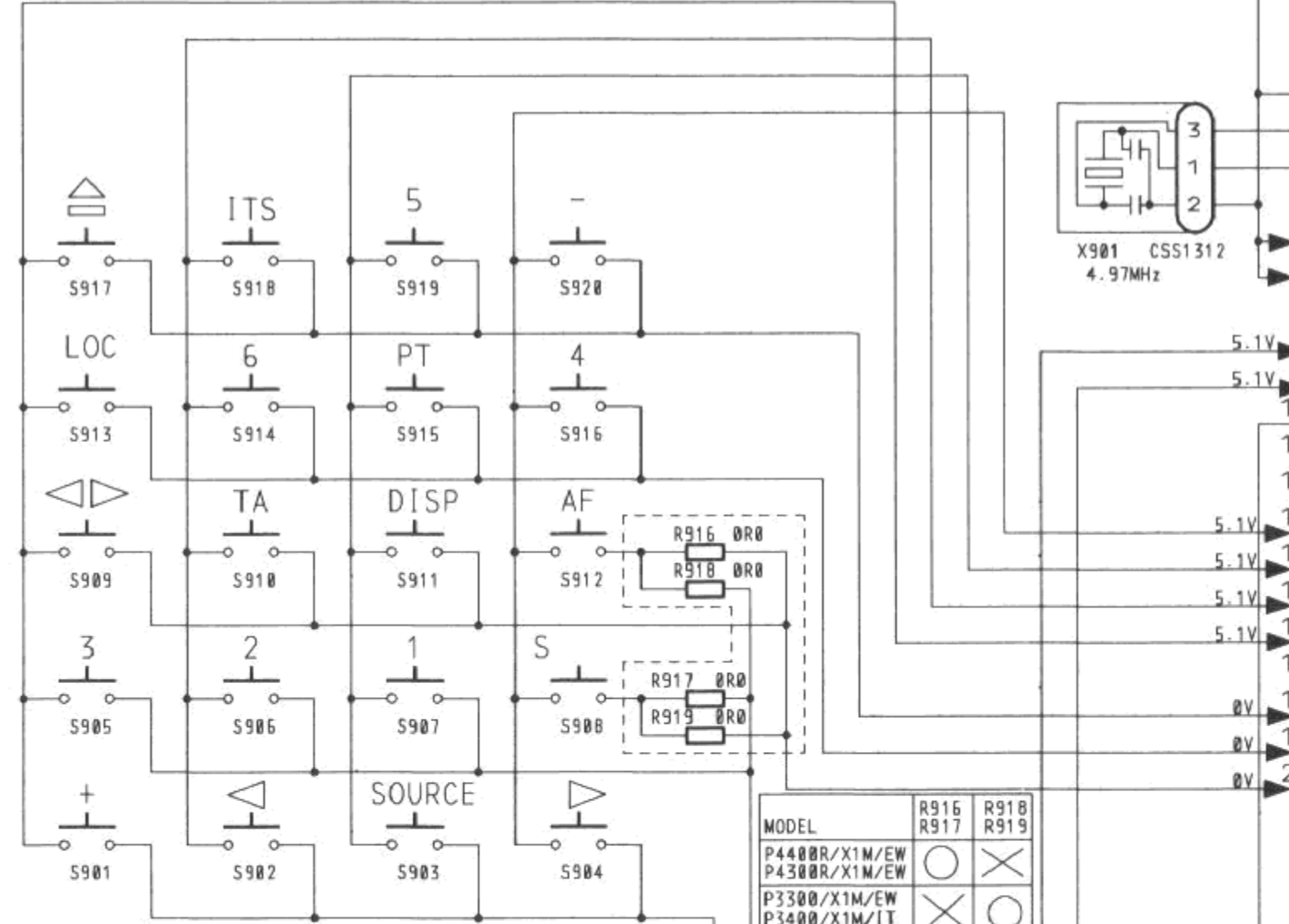
KEY BOARD UNIT

TUNER AMP UNIT
CN902

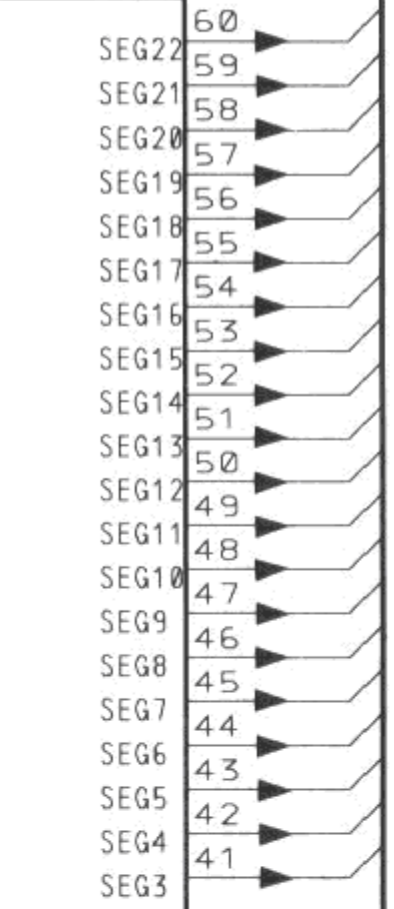
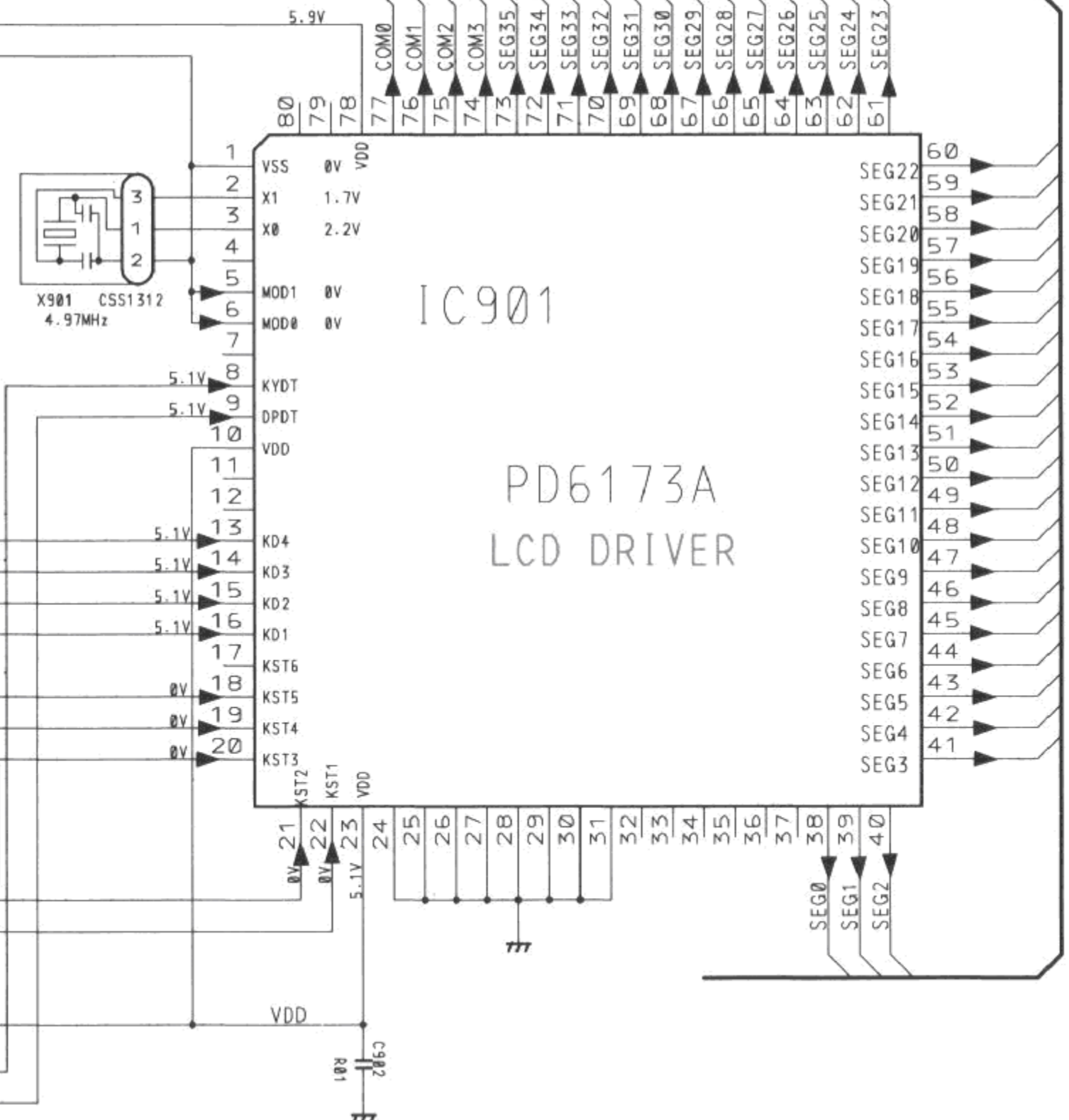
MODEL	LCD901
P4400R/X1M/EW	CAW1343
P4300R/X1M/EW	CAW1344
P3400/X1M/IT	
P3300/X1M/EW	CAW1346



MODEL	IL901-906
P4400R/X1M/EW	CEL1481
P3400/X1M/IT	
P4300R/X1M/EW	CEL1479
P3300/X1M/EW	

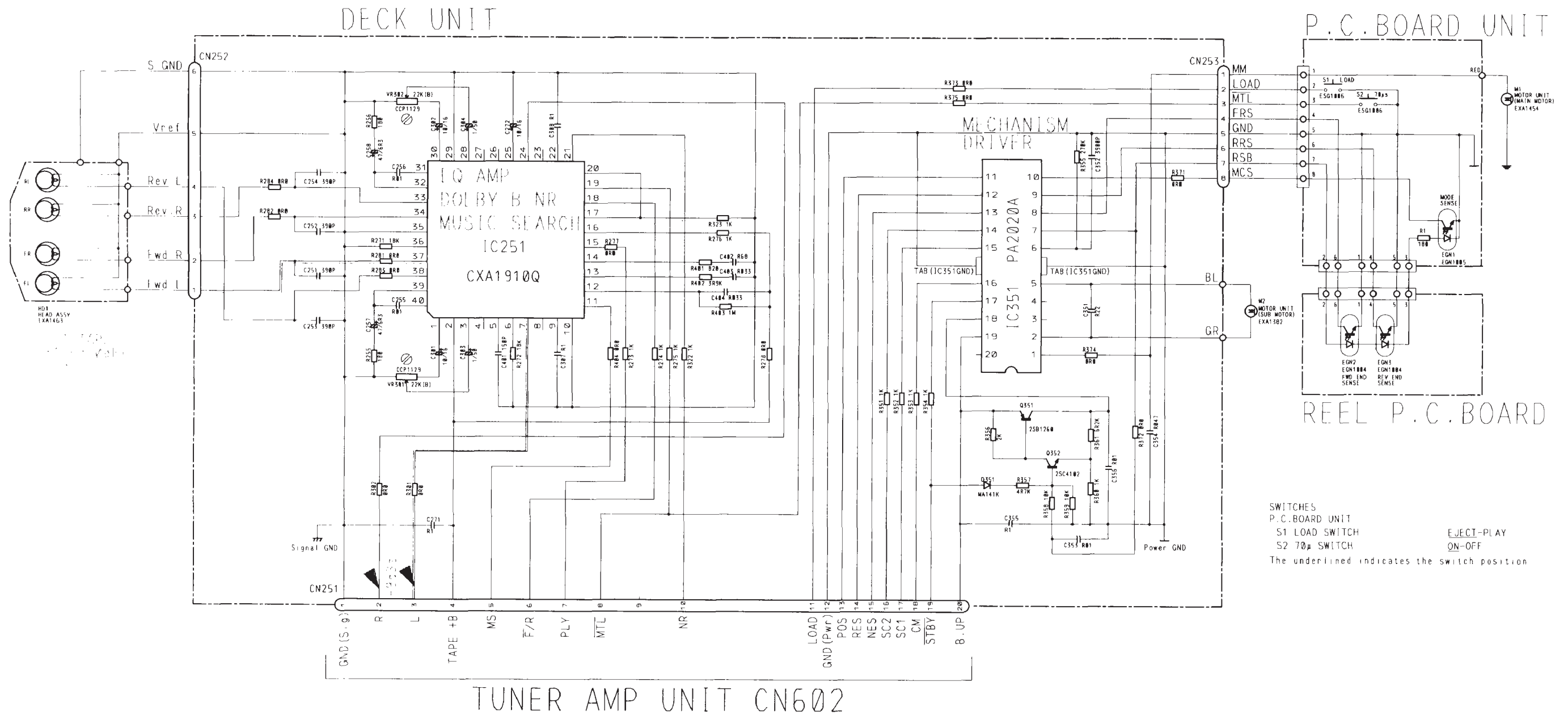


MODEL	R916	R917	R918	R919
P4400R/X1M/EW	○	○	×	×
P4300R/X1M/EW	○	○	×	×
P3300/X1M/EW	×	×	○	○
P3400/X1M/IT	×	×	○	○



11.3 CASSETTE MECHANISM MODULE

● Circuit Diagram(KEH-P4300R/X1M/EW, P4400R/X1M/EW)



SWITCHES
P.C. BOARD UNIT
S1 LOAD SWITCH
S2 70μ SWITCH
The underlined indicates the switch position

EJECT-PLAY
ON-OFF

Fig. 15