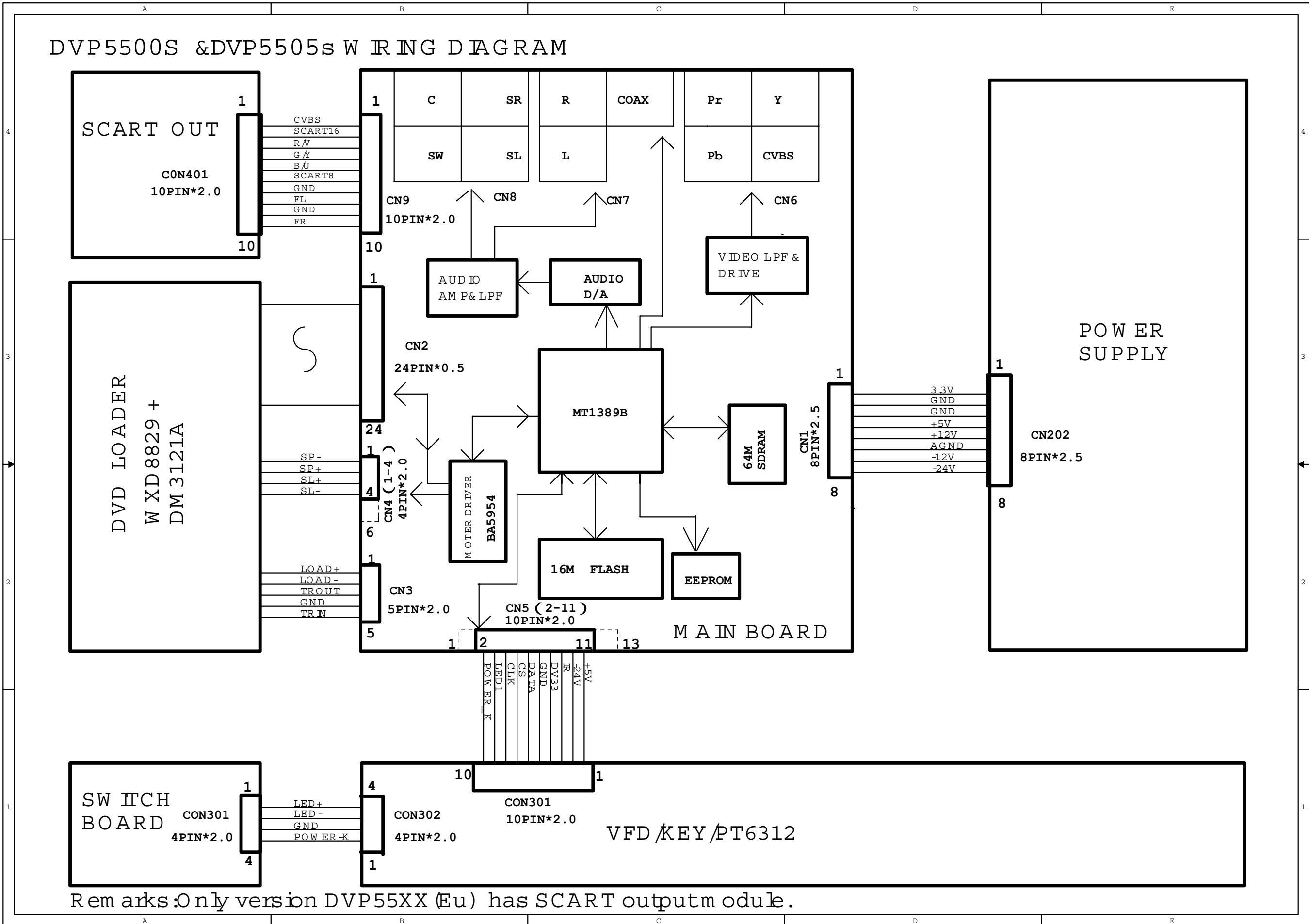
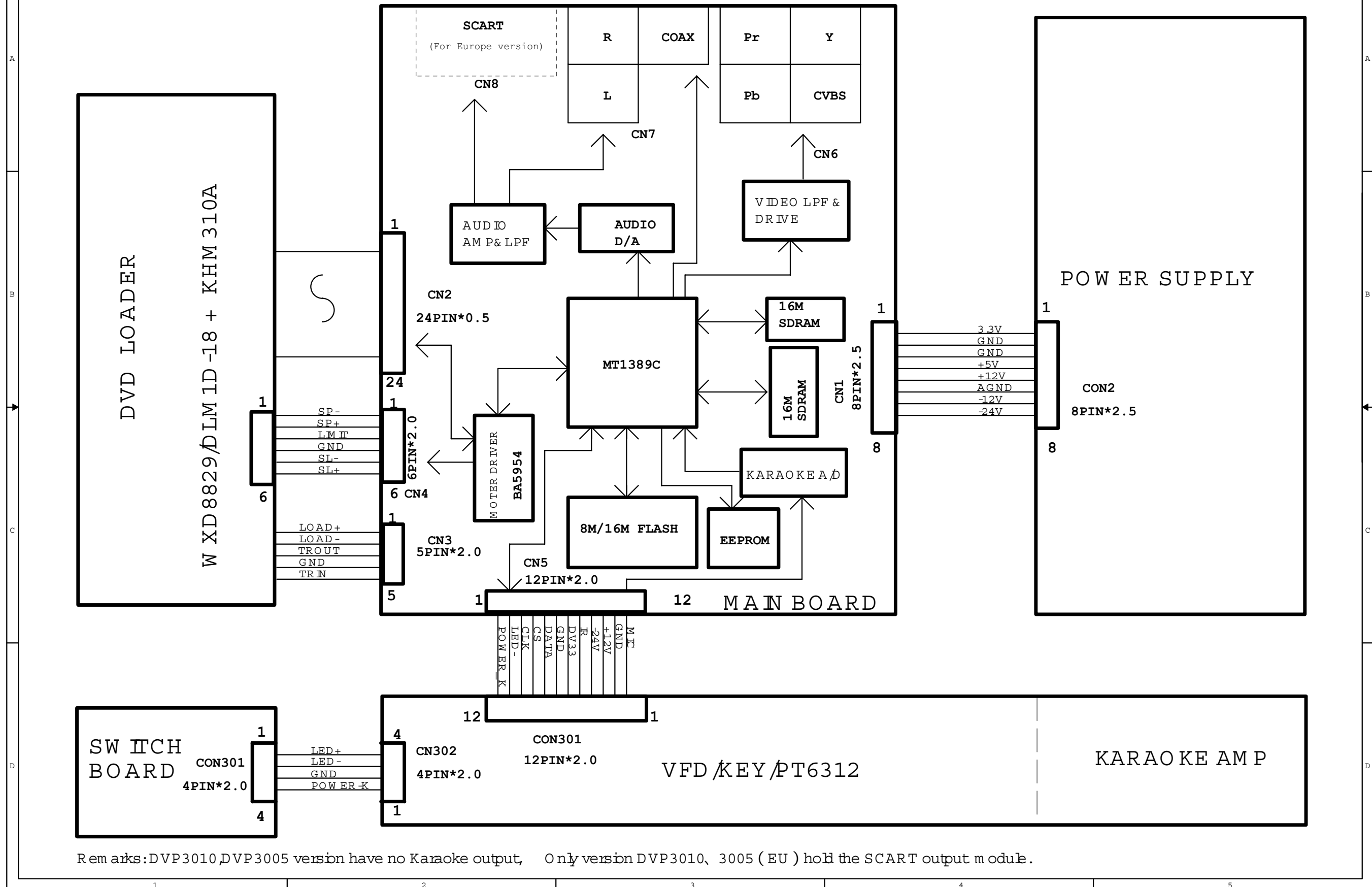


DVP5500S & DVP5505S WIRING DIAGRAM

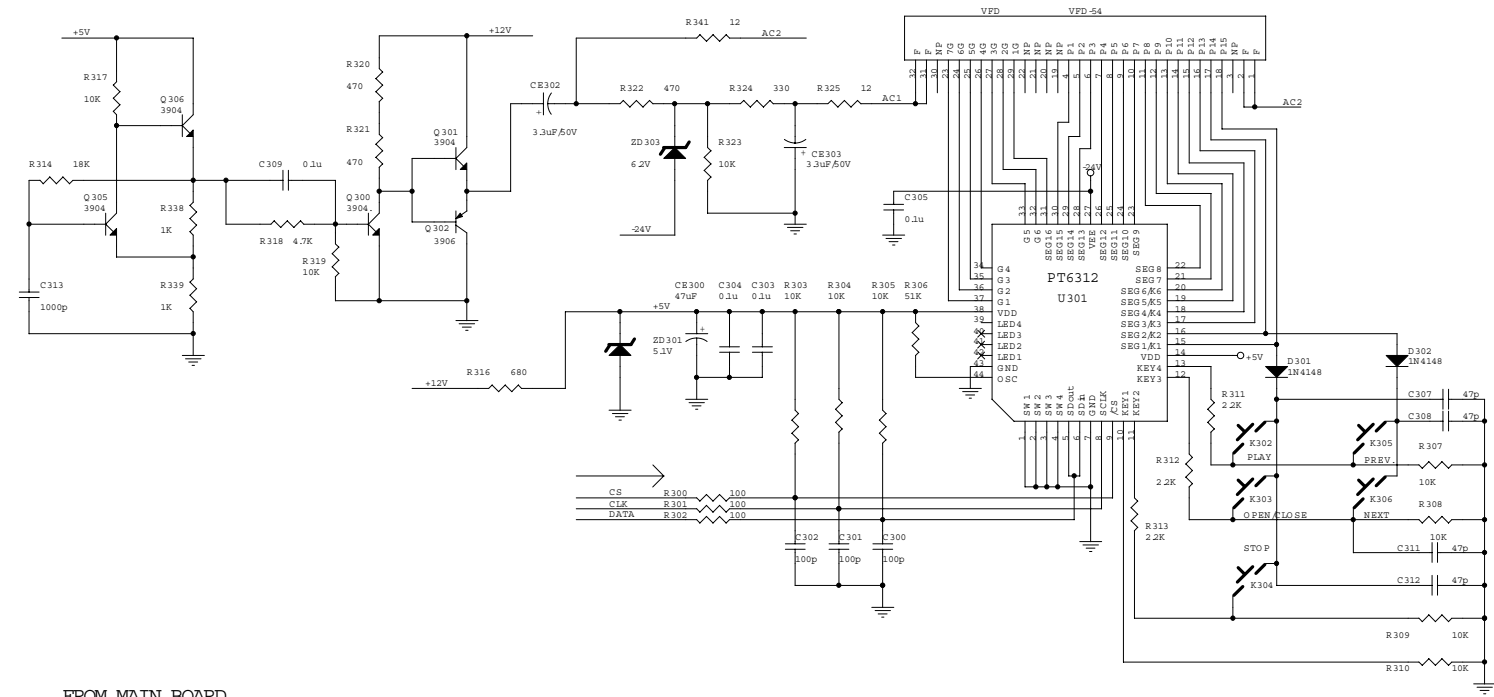


Remarks: Only version DVP55XX (Eu) has SCART output module.

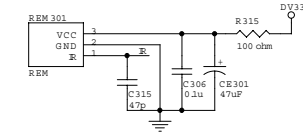
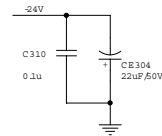
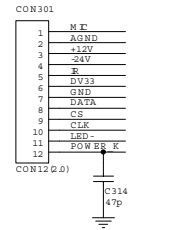
DVP5100(K) WIRING & BLOCK DIAGRAM



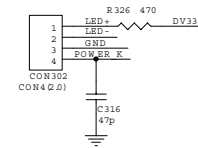
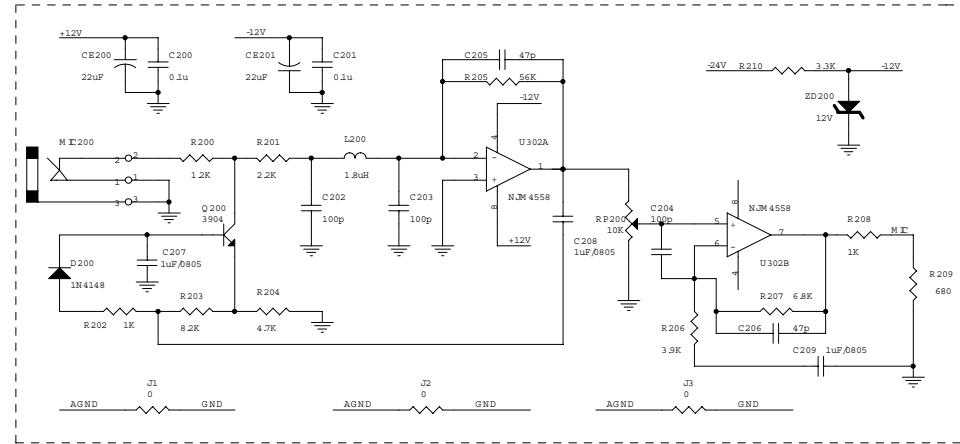
DVP5100K FRONT BOARD & OK BOARD



FROM MAIN BOARD

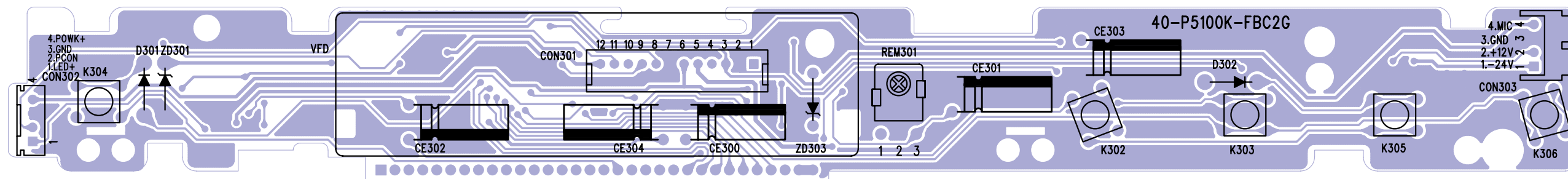


OK BOARD

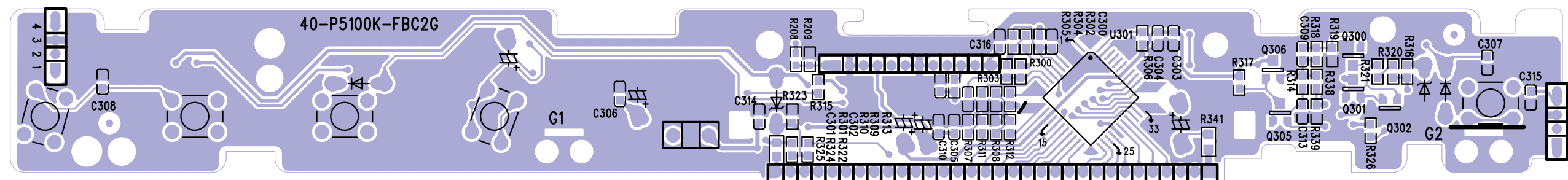


R200	E1	C305	B3
R201	E2	C306	D4
R202	E1	C307	B4
R203	E1	C308	B4
R204	E2	C309	B1
R205	E2	C310	D2
R206	E2	C311	C4
R207	E3	C312	C4
R208	E3	C313	B1
R209	E3	C314	D1
R210	E3	C315	D4
R300	C2	C316	E4
R301	C2	CE200	E1
R302	C2	CE201	E2
R303	B3	CE300	B2
R304	B3	CE301	D4
R305	B3	CE302	A2
R306	B3	CE303	A3
R307	B4	CE304	D2
R308	C4	J1	F1
R309	C4	J2	F2
R310	C4	J3	F2
R311	B3	L200	E2
R312	B3	Q200	E1
R313	C3	Q300	B2
R314	B1	Q301	B2
R315	D5	Q302	B2
R316	B2	Q305	B1
R317	A1	Q306	A1
R318	B1	D200	E1
R319	B2	D301	B4
R320	A2	D302	B4
R321	A2	ZD200	E3
R322	A2	ZD301	B2
R323	A2	ZD303	A2
R324	A2	U302A	E2
R325	A3	U302B	E3
R326	E4	RP200	E2
R338	B1	MIC200	E1
R339	B1	K302	B4
C200	E1	K303	C4
C201	E2	K304	C4
C202	E2	K305	B4
C203	E2	K306	C4
C204	E2	U301	B3
C205	E2	CON301	C1
C206	E3	CON302	E4
C207	E1	REM301	D4
C208	E2	VFD	A3
C209	F3		
C300	C3		
C301	C3		
C302	C3		
C303	B3		
C304	B2		

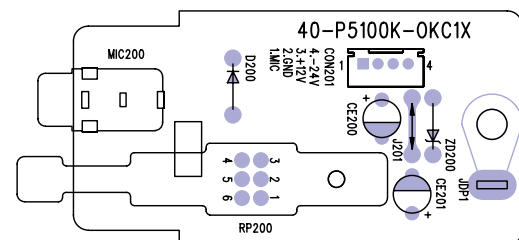
DVP5100 (K) FrontBoard Top side



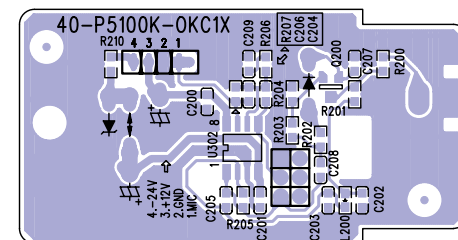
DVP5100 (K) FrontBoard Bottom side



DVP5100 (K) OK Board Top side



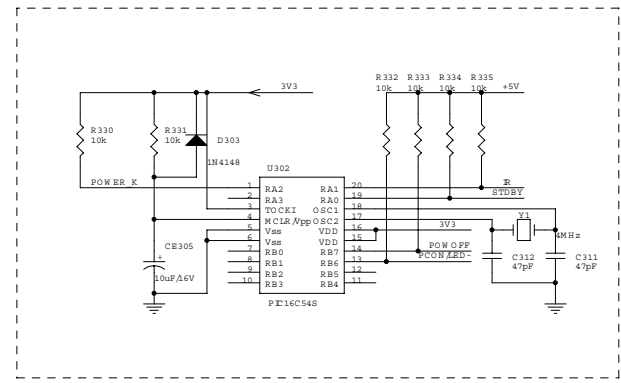
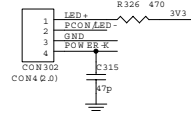
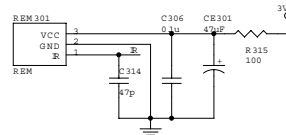
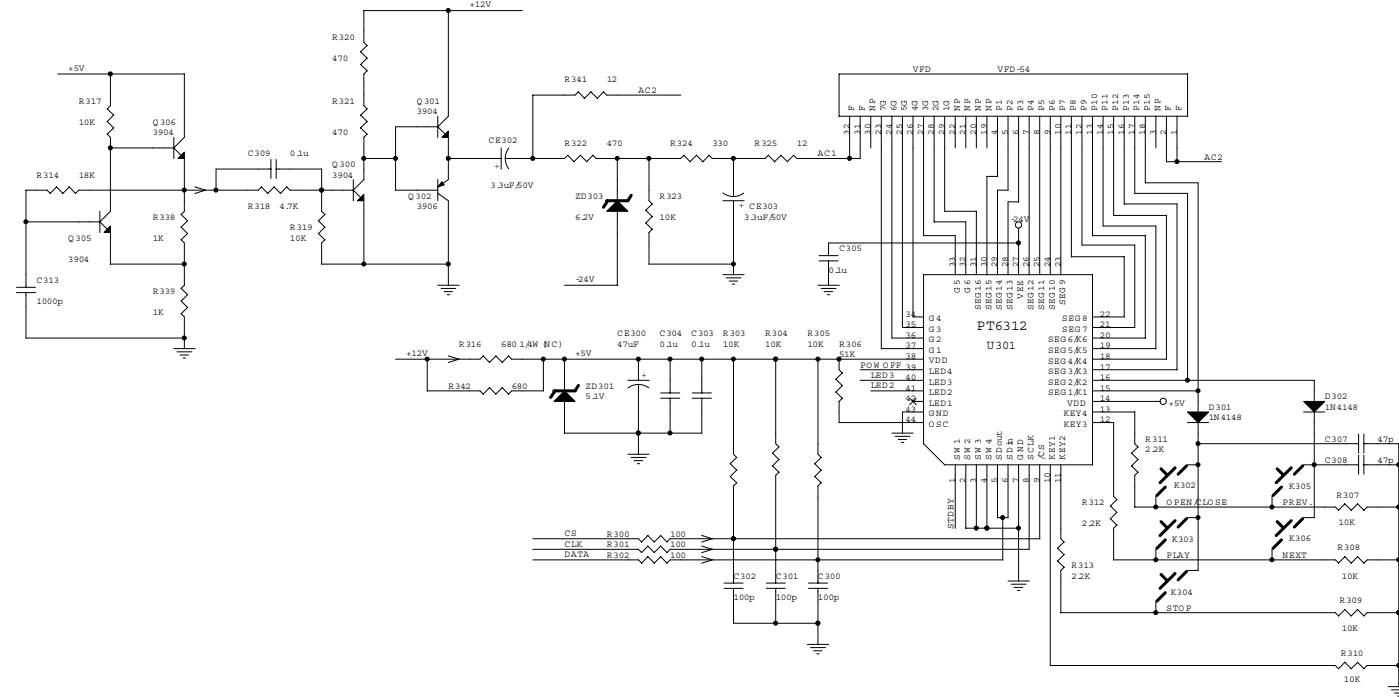
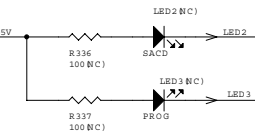
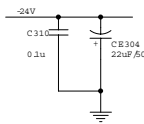
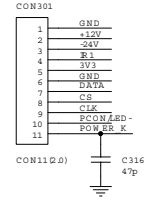
DVP5100 (K) OK Board Bottom side



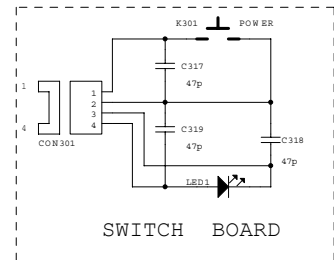
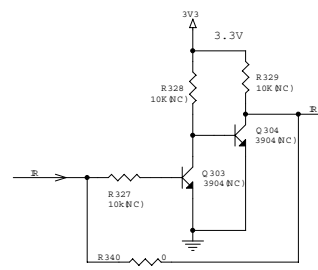
FRONT BOARD
For DVP5100, DVP5500S & DVP5505S

R300	C3	C304	C3
R301	C3	C305	B4
R302	C3	C306	D3
R303	C3	C307	C5
R304	C3	C308	C5
R305	C4	C309	B2
R306	C4	C310	C1
R307	C5	C311	E2
R308	C5	C312	E2
R309	D5	C313	B2
R310	D5	C314	E3
R311	C4	C315	E5
R312	C4	C316	B1
R313	C4	CE300	C3
R314	B2	CE301	D3
R315	E4	CE302	B3
R316	C3	CE303	B3
R317	B2	CE304	C1
R318	B2	CE305	E1
R319	B2	D301	C4
R320	B3	D302	C5
R321	B3	D303	E1
R322	B3	ZD301	C3
R323	B3	ZD303	B3
R324	B3	LED2	D1
R325	B3	LED3	D1
R326	E5	Q300	B3
R327	F3	Q301	B3
R328	F3	Q302	B3
R329	F3	Q303	E3
R330	E1	Q304	E3
R331	E1	Q305	B2
R332	E2	Q306	B2
R333	E2	K302	C4
R334	E2	K303	C4
R335	E2	K304	C4
R336	D1	K305	C5
R337	D1	K306	C5
R338	B2	U301	C4
R339	C2	U302	E1
R340	F3	Y1	E2
R341	B3	REM301	D3
R342	C3	CON301	B1
C300	C4	CON302	E5
C301	C3	CN301	F5
C302	C3	VFD	B4
C303	C3		

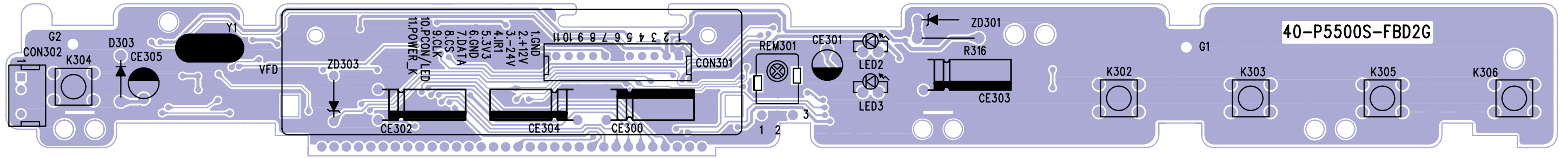
FROM MAIN BOARD



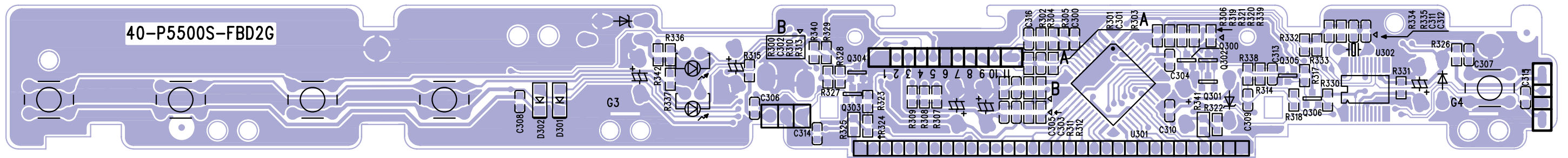
This inside of circle a piece is "OPEN"



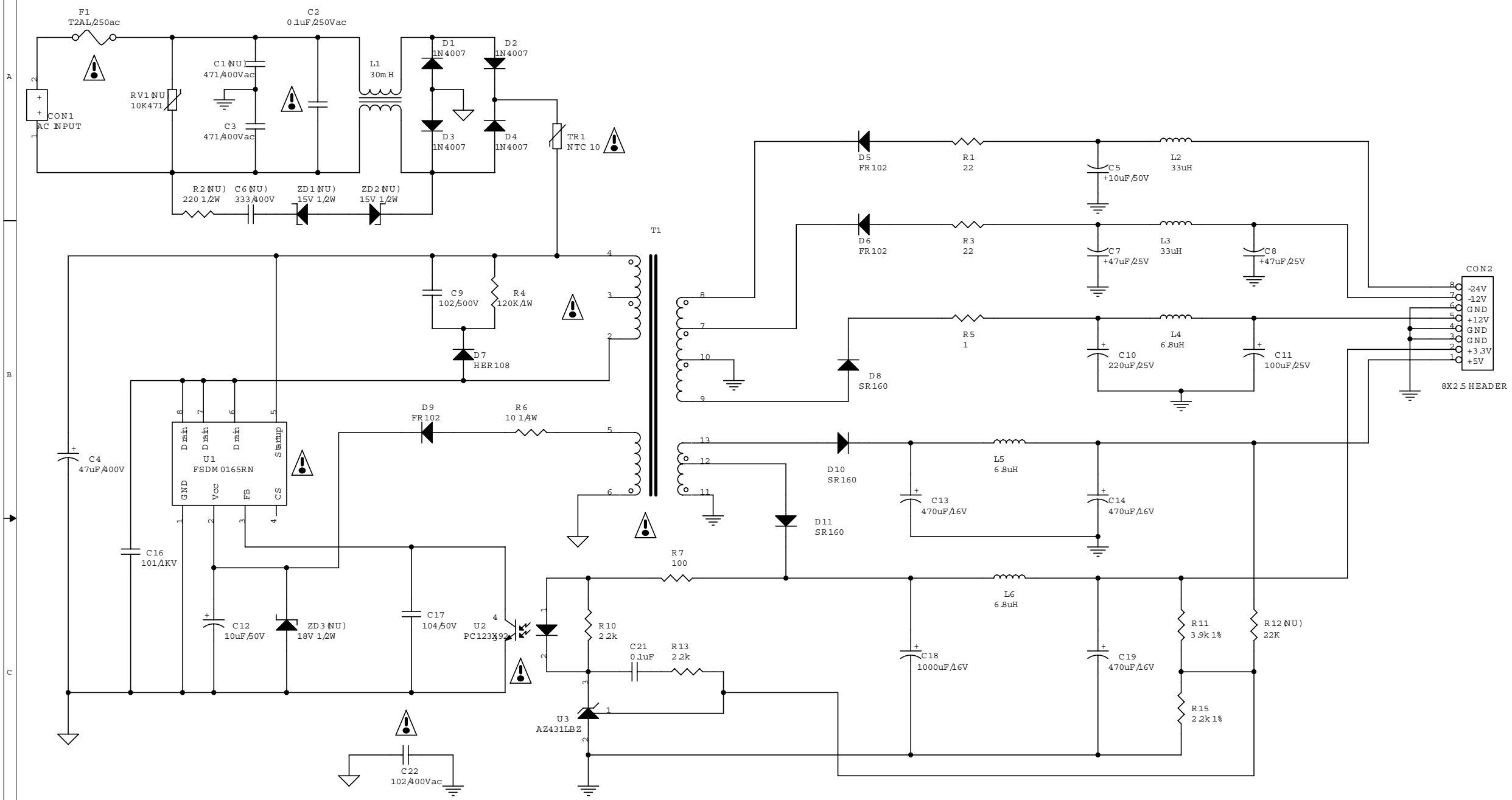
DVP5500 & DVP5505 FrontBoard Top side




DVP5500 & DVP5505 FrontBoard Bottom side



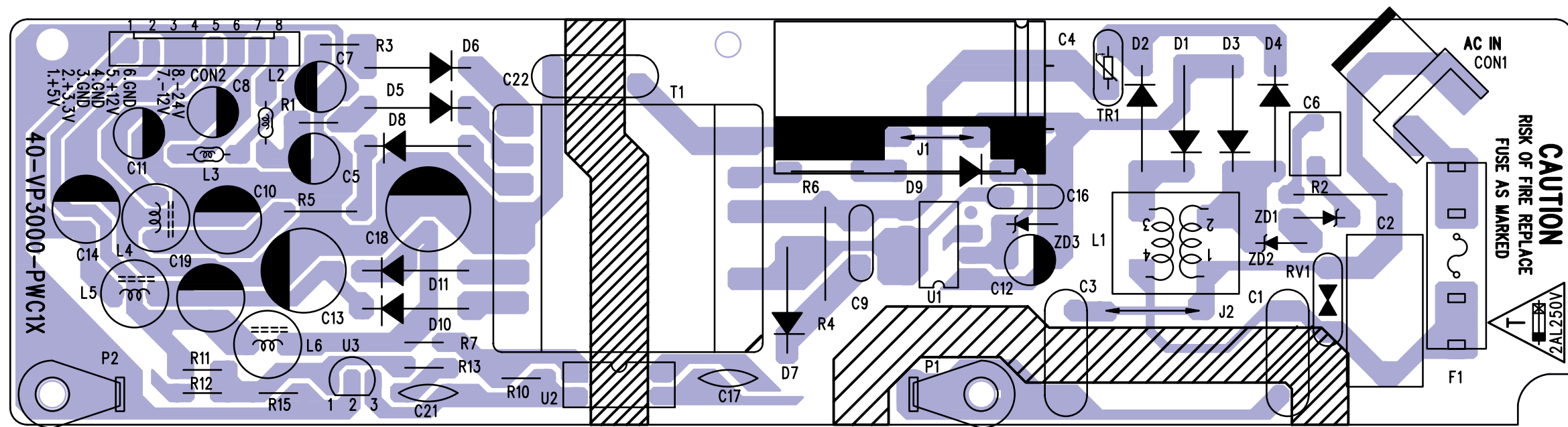
Power supply for DVP5100 (K), DVP5500S & DVP5505S



C1	A1
C2	A1
C3	A1
C4	B1
C5	A4
C6	A1
C7	B4
C8	B4
C9	B2
C10	B4
C11	B4
C12	C1
C13	B3
C14	B4
C16	C1
C17	C2
C18	C3
C19	C4
C22	C2
C21	C2
CON1	A1
CON2	B5
D1	A2
D2	A2
D3	A2
D4	A2
D5	A3
D6	B3
D7	B2
D8	B3
D9	B2
D10	B3
D11	C3
F1	A1
L1	A2
L2	A4
L3	B4
L4	B4
L5	B3
L6	C3
R1	A3
R2	A1
R3	B3
R4	B2
R5	B3
R6	B2
R7	C2
R10	C2
R11	C4
R12	C4
R13	C2
R15	C4
R17	C2
RV1	A1
T1	B2
TR1	A2
U1	B1
U2	C2
U3	C2
ZD1	A1
ZD2	A2
ZD3	C1

*** CAUTION :**
 THE PARTS MARKED WITH  ARE IMPORTANT PARTS ON THE SAFETY.
 PLEASE USE THE PARTS HAVING THE DESIGNATED PARTS NUMBER WITHOUT FAIL.

" PowerBoard Top Side



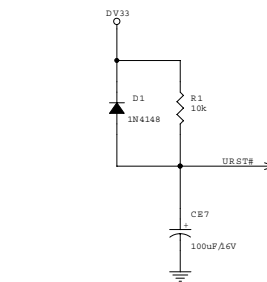
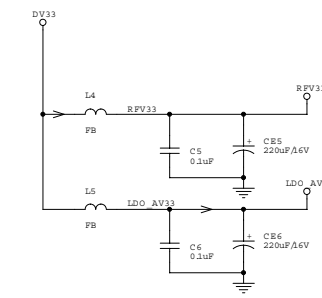
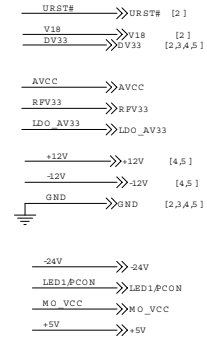
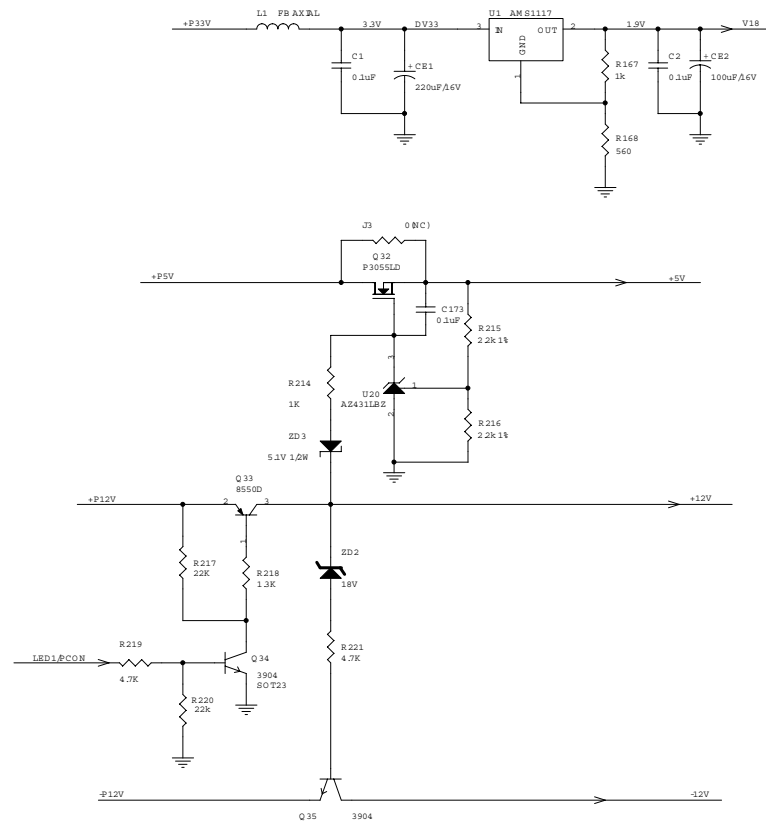
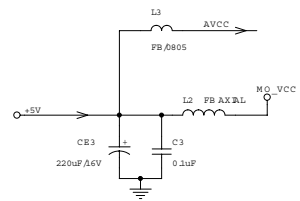
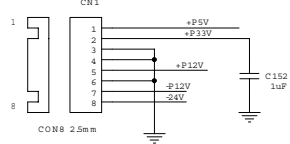
1, INDEX & POWER RESET

For DVP3010, DVP5100 & DVP5100K

- 1 INDEX & POWER, RESET
- 2 RF, SERVO & MPEG - MT1389C&MT1389EE
- 3 MEMORY - SDRAM, FLASH/EEPROM, VIDEO OUT
- 4 AUDIO DAC & AUDIO OUT
- 5 FRONT BOARD
- 6 POWER SUPPLY

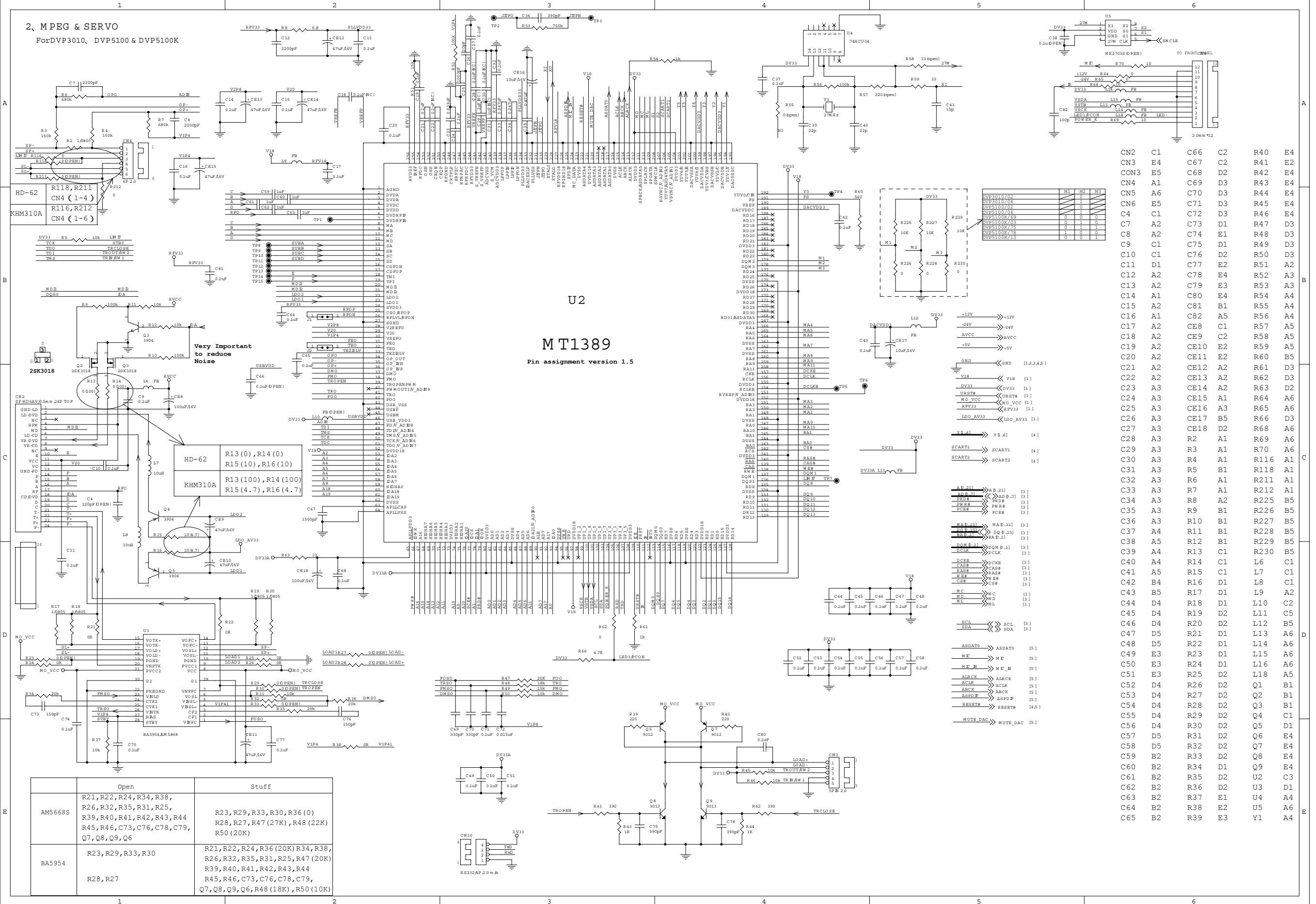
NAME	TYPE	DEVICE
VCC	Digital 5V	SUPPLY
DV33	Digital 3.3V	MT1389E
RFV33	Servo 3.3V	MT1389E
AVCC	RF 5V	PICKUP HEADER
V18	Digital 1.8V	MT1389E
+12V	Audio +12V	OP AMP.
-12V	Audio -12V	OP AMP.
+5V	Servo 5V	Motor drive
-24V	VFD	VFD Drive

TO POWER BOARD



- CN1 D1
- R1 E5
- R167 C3
- R168 C3
- R169 D3
- R214 D3
- R215 D3
- R216 D3
- R217 E3
- R218 E3
- R219 E2
- R220 E3
- R221 E3
- ZD2 E3
- ZD3 E3
- D1 E5
- C1 C3
- C2 C4
- C3 E1
- C5 D5
- C6 D5
- C152 C2
- C173 D3
- CE1 C3
- CE2 C4
- CE3 E1
- CE5 C5
- CE6 D5
- CE7 E5
- L1 C3
- L2 E1
- L3 E1
- L4 C5
- L5 D5
- Q32 D3
- Q33 E3
- Q34 E3
- Q35 F3
- U1 C3
- U20 D3

2, MPEG & SERVO
For DVP3010, DVP5100 & DVP5100K

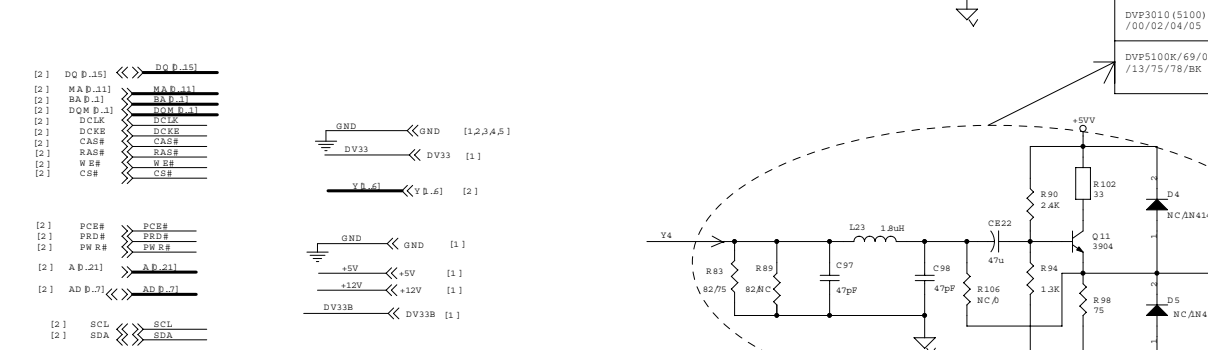
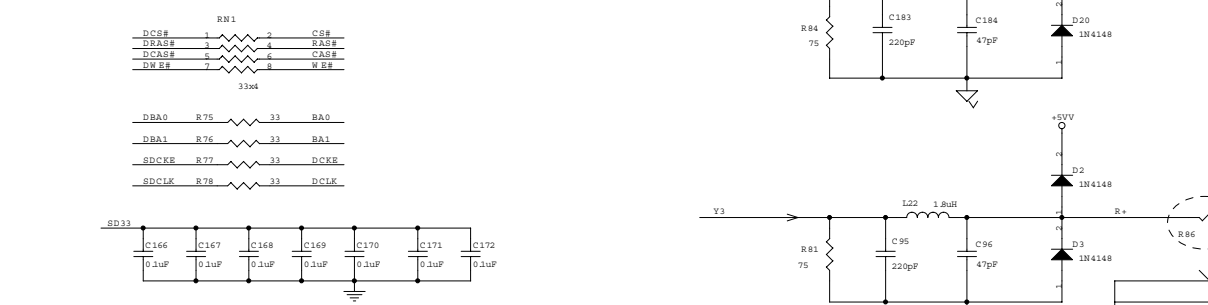
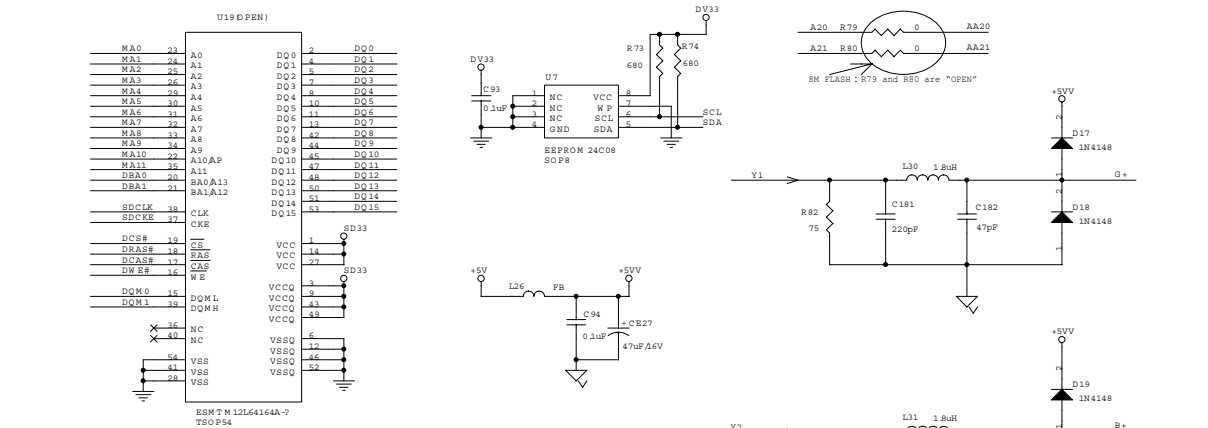
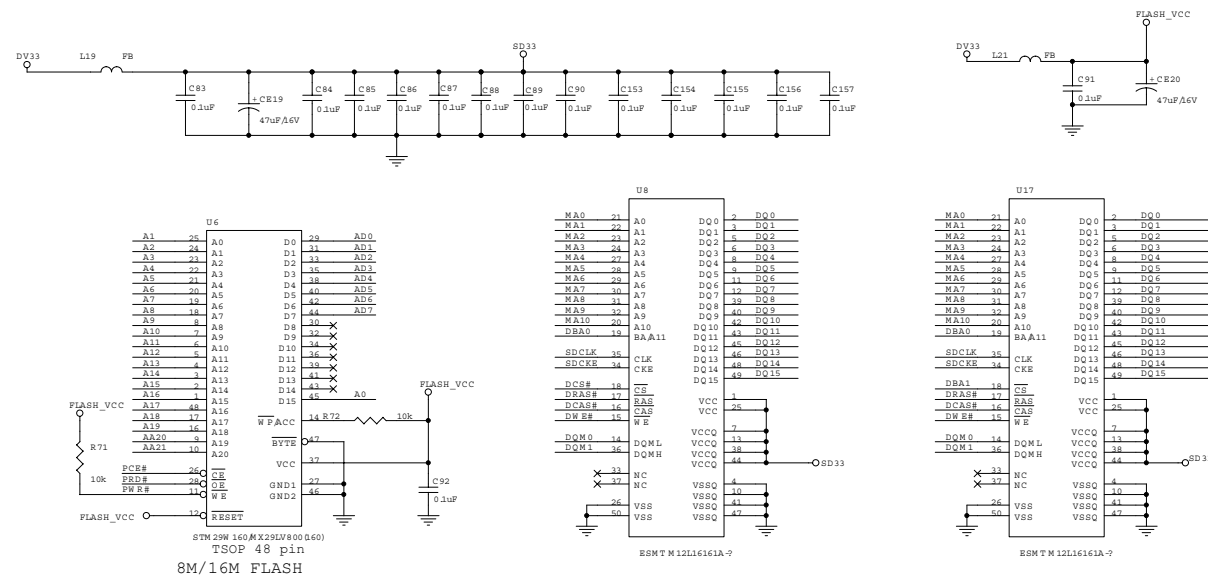


U2
MT1389
Pin assignment version 1.5

CN2	C1	C66	C2	R40	E4
CN3	E4	C67	C2	R41	E2
CON3	E5	C68	D2	R42	E4
CN4	A1	C69	D3	R43	E4
CN5	A6	C70	D3	R44	E4
CN6	E5	C71	D3	R45	E4
C4	C1	C72	D3	R46	E4
C7	A2	C73	D1	R47	D3
C8	A2	C74	E1	R48	D3
C9	C1	C75	D1	R49	D3
C10	C1	C76	D2	R50	D3
C11	D1	C77	E2	R51	A2
C12	A2	C78	E4	R52	A3
C13	A2	C79	E3	R53	A3
C14	A1	C80	E4	R54	A4
C15	A2	C81	B1	R55	A4
C16	A1	C82	A5	R56	A4
C17	A2	C83	C1	R57	A5
C18	A2	C84	E2	R58	A5
C19	A2	C85	E2	R59	A5
C20	A2	C86	E1	R60	B5
C21	A2	C87	A2	R61	D3
C22	A2	C88	A2	R62	D3
C23	A3	C89	A1	R63	D2
C24	A3	C90	A2	R64	A6
C25	A3	C91	A3	R65	A6
C26	A3	C92	B5	R66	D3
C27	A3	C93	D2	R67	A6
C28	A3	C94	A1	R68	A6
C29	A3	C95	A1	R69	A6
C30	A3	C96	A1	R70	A6
C31	A3	C97	B1	R71	A1
C32	A3	C98	A1	R72	A1
C33	A3	C99	A1	R73	A1
C34	A3	C100	A2	R74	B5
C35	A3	C101	B1	R75	B5
C36	A3	C102	B1	R76	B5
C37	A4	C103	B1	R77	B5
C38	A5	C104	B1	R78	B5
C39	A4	C105	C1	R79	B5
C40	A4	C106	C1	R80	B5
C41	A5	C107	C1	R81	C1
C42	B4	C108	D1	R82	C1
C43	B5	C109	D1	R83	A2
C44	D4	C110	D1	R84	C2
C45	D4	C111	D2	R85	C5
C46	D4	C112	D2	R86	B5
C47	D5	C113	D2	R87	A5
C48	D5	C114	D1	R88	A6
C49	E3	C115	D1	R89	A6
C50	E3	C116	D1	R90	A6
C51	E3	C117	D2	R91	A5
C52	D4	C118	D2	R92	B1
C53	D4	C119	D2	R93	B1
C54	D4	C120	D2	R94	B1
C55	D4	C121	D2	R95	C1
C56	D4	C122	D2	R96	E4
C57	D5	C123	D2	R97	E4
C58	D5	C124	D2	R98	E4
C59	B2	C125	D2	R99	E4
C60	B2	C126	D1	R100	E3
C61	B2	C127	D2	R101	C4
C62	B2	C128	D2	R102	D1
C63	B2	C129	E1	R103	A4
C64	B2	C130	E2	R104	A6
C65	B2	C131	E3	R105	A4

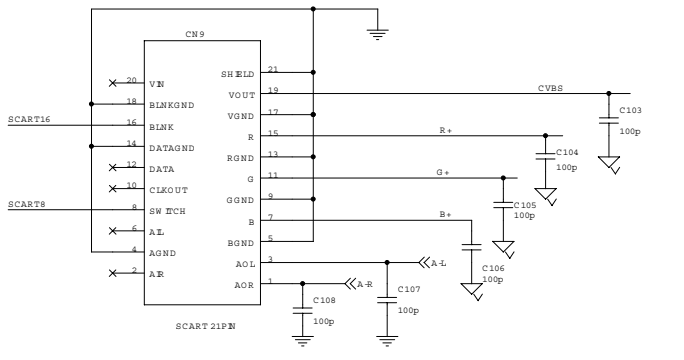
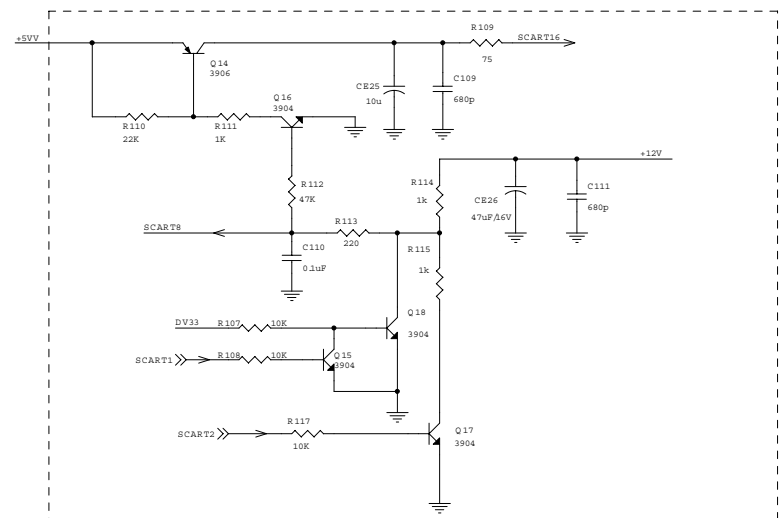
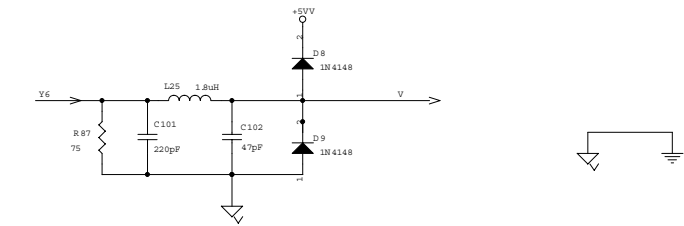
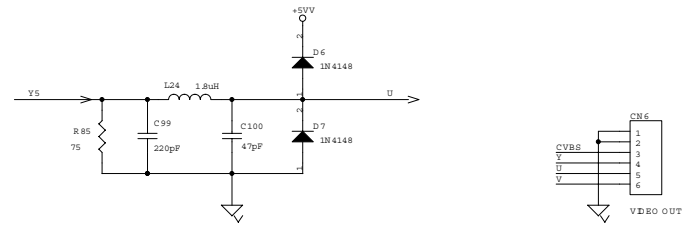
	Open	Stuff
AM5668S	R21, R22, R24, R34, R38, R26, R32, R35, R31, R25, R39, R40, R41, R42, R43, R44, R45, R46, C73, C76, C78, C79, Q7, Q8, Q9, Q6	R23, R29, R33, R30, R36 (0), R28, R27, R47 (27K), R48 (22K), R50 (20K)
BA5954	R23, R29, R33, R30	R21, R22, R24, R36 (20K), R34, R38, R26, R32, R35, R31, R25, R47 (20K), R39, R40, R41, R42, R43, R44, R45, R46, C73, C76, C78, C79, Q7, Q8, Q9, Q6, R48 (18K), R50 (10K)

3. SDRAM FLASH, VIDE FILTER & SCART OUTPUT
For DVP3010, DVP5100 & DVP5100K



[2] DO B.151	<<	DQ B.151	
[2] MA D.111	<<	MA D.111	
[2] MA D.11	<<	MA D.11	
[2] DQM B.11	<<	DQM B.11	
[2] D16	<<	D16	
[2] DCKE	<<	DCKE	
[2] CAS#	<<	CAS#	
[2] RAS#	<<	RAS#	
[2] WE#	<<	WE#	
[2] CS#	<<	CS#	
[2] GND	<<	GND (1,2,3,4,5)	
[2] DV33	<<	DV33 (1)	
[2] Y.B.61	<<	Y.B.61 (2)	
[2] GND	<<	GND (1)	
[2] +5V	<<	+5V (1)	
[2] +12V	<<	+12V (1)	
[2] DV33B	<<	DV33B (1)	
[2] SCL	<<	SCL	
[2] SDA	<<	SDA	

	Open	Stuff
DVP3010 (5100) /00/02/04/05	R86, R106, D4, D5	CE22, R90, R94, R98, R102, R88, Q11, R83 (82), R89 (82)
DVP5100K/69/03 /13/75/78/BK	CE22, R90, R94, R98, R102, R88, Q11, R83 (82), R89 (82)	R106, R83 (75), D4, D5



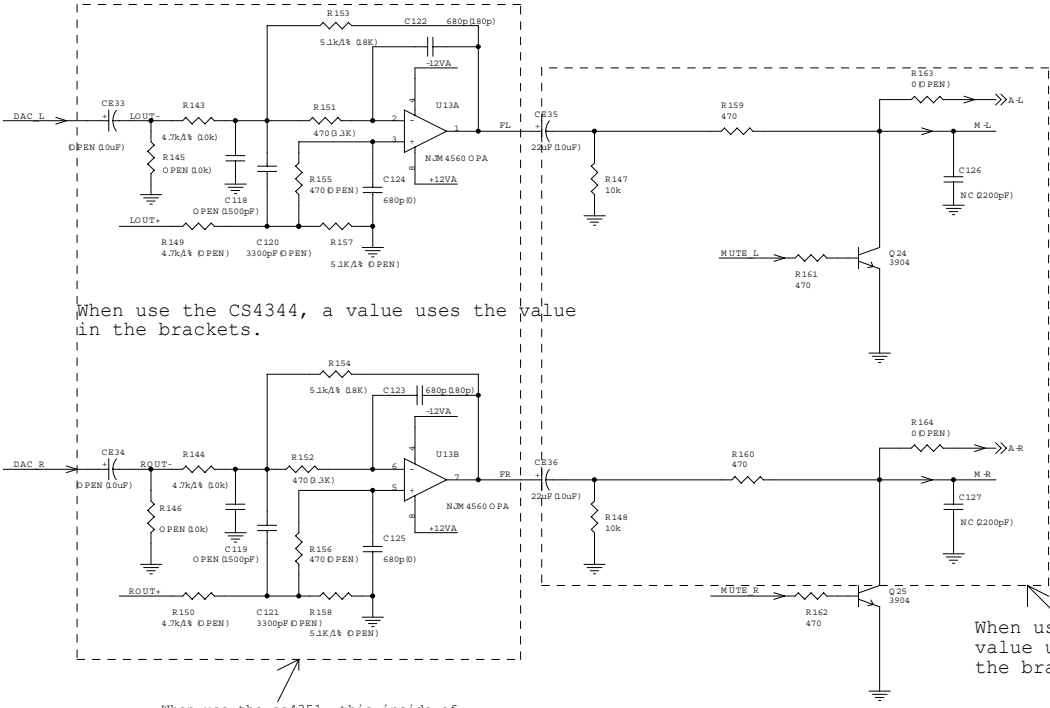
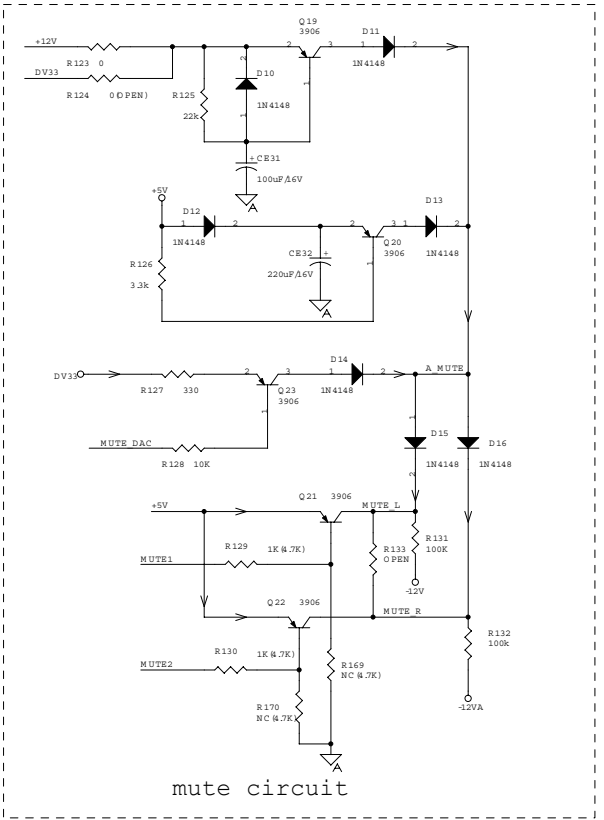
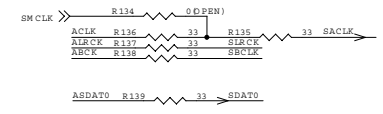
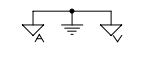
SCART1	SCART2	SCART8	SCART16
1	0	12V (9.5V -12V 4.3)	3V (RGB)
1	1	6V (5V -8V 16.9)	3V (RGB)
0	0	0V TV M ODE	0V (CVBS)

When have no SCART, this inside of circle a piece is "OPEN"

C83	A1	D2	D3
C84	A1	D3	D3
C85	A2	D4	E3
C86	A2	D5	E3
C87	A2	D6	A5
C88	A2	D7	A5
C89	A2	D8	B5
C90	A2	D9	B5
C91	A3	D17	C3
C92	B2	D18	C3
C93	C2	D19	D3
C94	C2	D20	D3
C95	D3	Q11	E3
C96	D3	Q14	B4
C97	E3	Q15	C5
C98	E3	Q16	C5
C99	A4	Q17	C5
C100	A4	Q18	C5
C101	A4	R71	B1
C102	A4	R72	B2
C103	D5	R73	C3
C104	D5	R74	C3
C105	D5	R75	D1
C106	D5	R76	D1
C107	E5	R77	D1
C108	E5	R78	D1
C109	C5	R79	B3
C110	C5	R80	B3
C111	C5	R81	D2
C153	A2	R82	C2
C154	A2	R83	E2
C155	A2	R84	D2
C156	A2	R85	A4
C157	A3	R87	B4
C166	D1	R89	E2
C167	D1	R90	E3
C168	D1	R94	C3
C169	D1	R98	E3
C170	D1	R102	E3
C171	D2	R109	C5
C172	D2	R110	C4
C181	C3	R111	C4
C182	C3	R112	C5
C183	D3	R113	C5
C184	D3	R114	C5
CE19	A1	R115	C5
CE20	A3	R117	C4
CE22	E3	RN1	D1
CE25	C5	CN6	A5
CE26	C5	CN7	D5
CE27	C2	U6	A1
L19	A1	U7	C2
L20	A3	U8	B2
L21	A3	U17	B3
L22	D2	U19	C1
L23	E2		
L24	A4		
L25	B4		
L26	C2		
L30	C3		
L31	D3		

4. AUDD FILTER & OUT PUT
For DVP3010, DVP5100 & DVP5100K

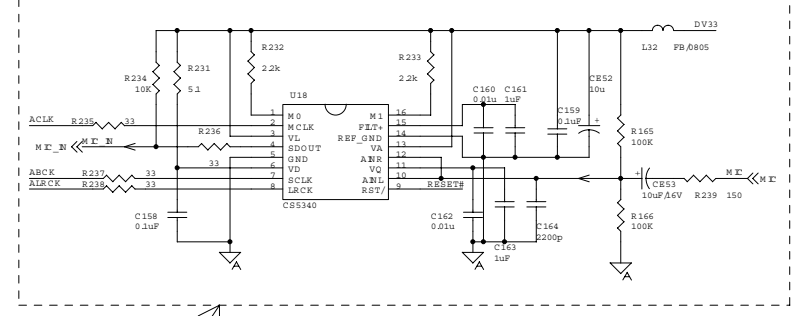
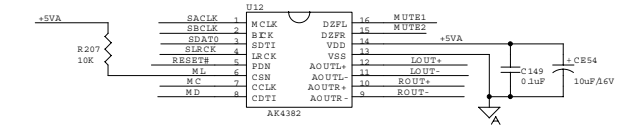
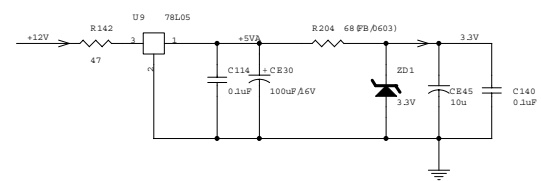
- (2) MD >> MD
- (2) ML >> ML
- (2) MC >> MC
- (1) -12V >> -12V
- (1) +12V >> +12V
- (1) DV33 >> DV33
- (1) +5V >> +5V
- (1,2,3,5) GND >> GND
- (2) ASDATO >> ASDATO
- (2) ASPDF >> ASPDF
- (2) ACCK >> ACCK
- (2) ARCK >> ARCK
- (2) ALRCK >> ALRCK
- (2) MUTE_DAC >> MUTE_DAC
- (2) RESET# >> RESET#
- (4) A-L >> A-L
- (4) A-R >> A-R



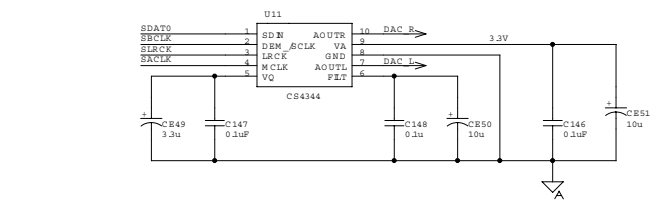
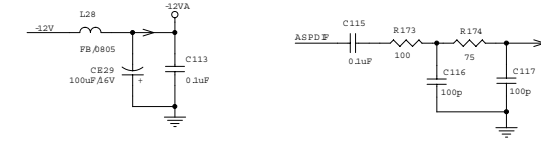
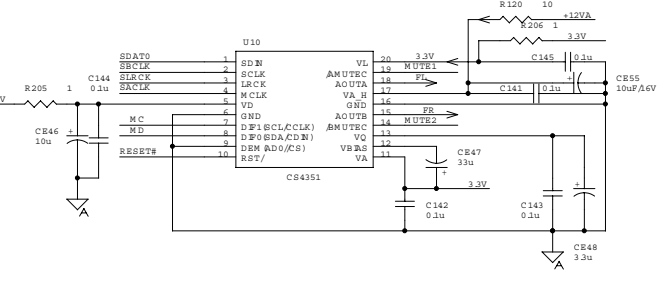
When use the CS4344, a value uses the value in the brackets.

When use the CS4351, this inside of circle a piece is "OPEN"

When use the CS4351, a value uses the value in the brackets.



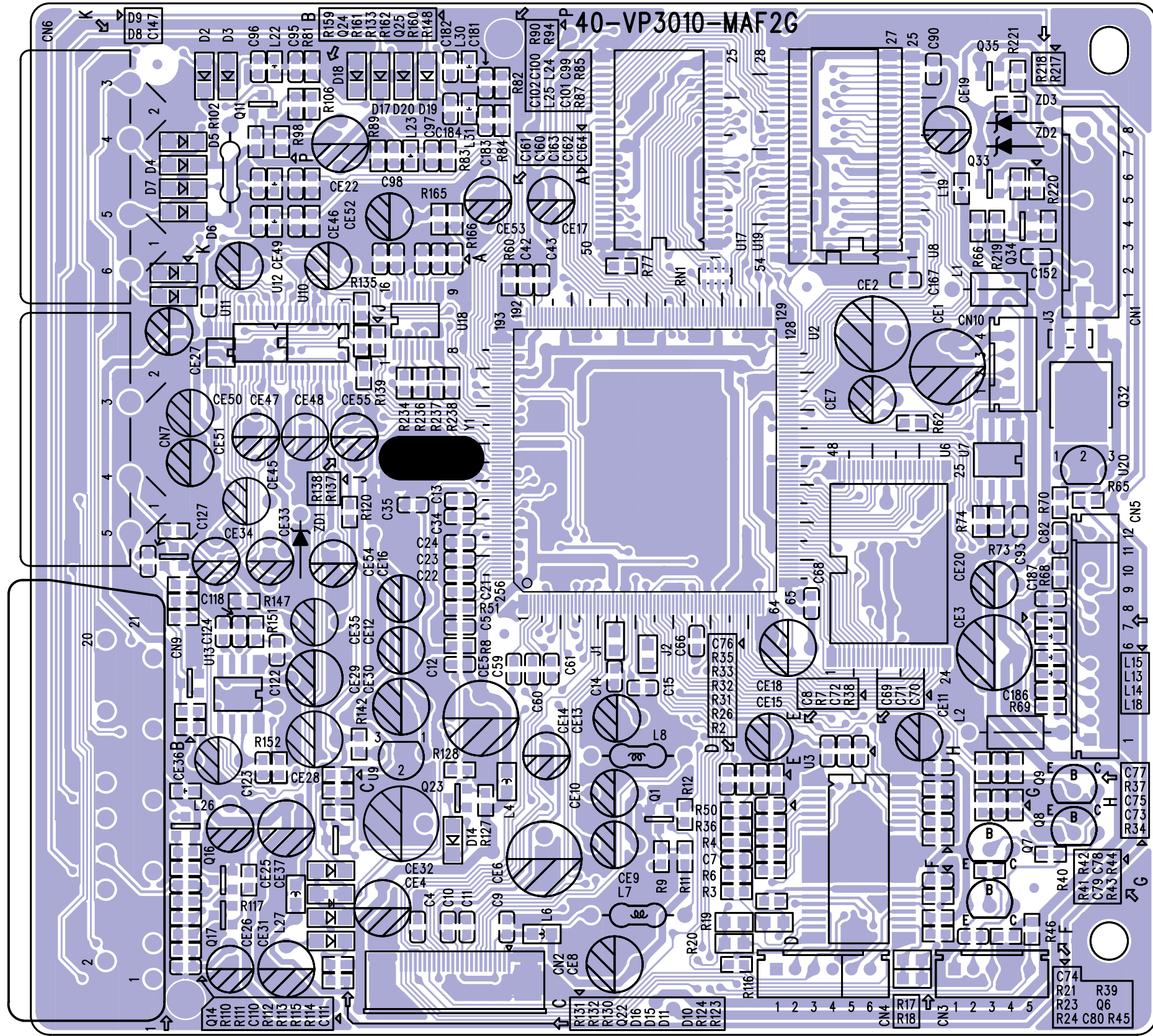
When have no karaoke, this inside of circle a piece is "OPEN"



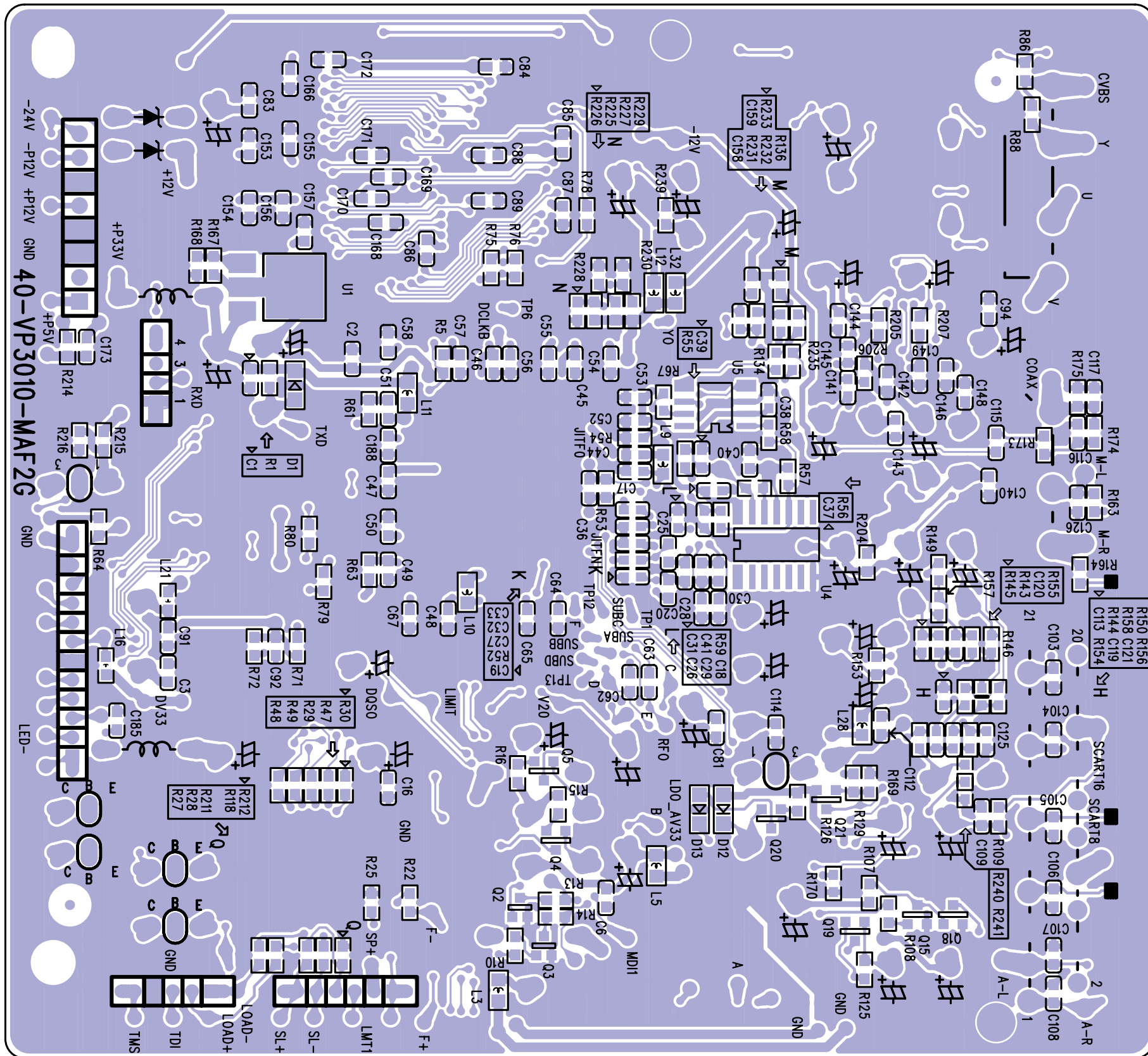
R120	D3	R205	D2	L31	C1
R123	A2	R206	D3	L32	C5
R124	A2	R207	C2	CE28	D1
R125	A2	R231	C4	CE29	E1
R126	A2	R232	C4	CE30	C1
R127	B2	R233	C4	CE31	A3
R128	B2	R234	C4	CE32	A3
R129	B2	R235	C4	CE33	A4
R130	B2	R236	C4	CE34	B4
R131	B3	R237	C4	CE35	A5
R132	B3	R238	C4	CE36	B4
R133	B3	R239	C5	CE46	D2
R134	C1	C112	D1	CE47	D3
R135	C1	C113	E1	CE48	D3

R136	C1	C114	D1	CE49	E2
R137	C1	C115	E1	CE50	E3
R138	C1	C116	E2	CE51	E3
R139	C1	C117	E2	CE52	C5
R142	C1	C118	A4	CE53	C5
R143	A4	C119	B4	CE54	C3
R144	B4	C120	A4	CE55	D3
R145	A4	C121	B4	Q19	A3
R146	B4	C122	A4	Q20	A3
R147	A5	C123	B4	Q21	B3
R148	B5	C124	A4	Q22	B3
R149	A4	C125	B4	Q23	B3
R150	B4	C126	A6	Q24	A5
R151	A4	C127	B6	Q25	B5
R152	B4	C140	D2	D10	A3
R153	A4	C141	D3	D11	A3
R154	B4	C142	D3	D12	A2
R155	A4	C143	D3	D13	A3
R156	B4	C144	D2	D14	B3
R157	A4	C145	D3	D15	B3
R158	B4	C146	E3	D16	B3
R159	A5	C147	E3	U18	C4
R160	B5	C148	E3	U9	C1
R161	A5	C149	C3	U10	D3
R162	B5	C158	D4	U11	E3
R163	A6	C159	C5	U12	C3
R164	B6	C160	C5	U13	A4
R165	C5	C161	C5	U13	A4
R166	D5	C162	C5	U13	A4
R169	B3	C163	C5	U13	A4
R170	C3	C164	C5	U13	A4
R173	E1	L27	D1	U13	A4
R174	E2	L28	E1	U13	A4
R175	E2	L30	C1	U13	A4

DVP5100 (K) Mpeg Board Top side



DVP5100 (K) Mpeg Board Bottom side



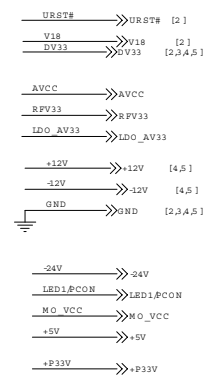
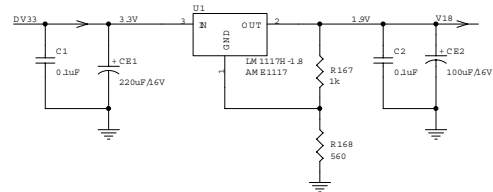
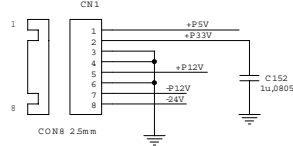
1. INDEX & POWER RESET

For DVP5500S & DVP5505S

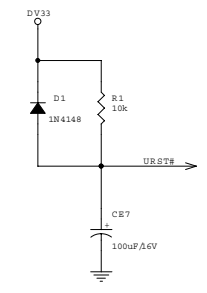
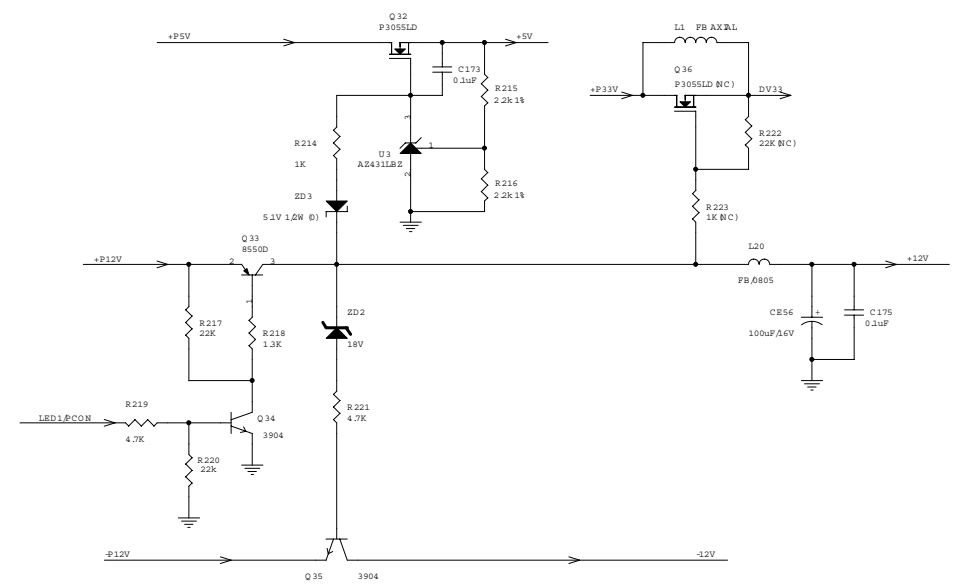
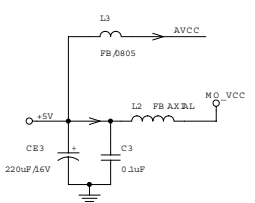
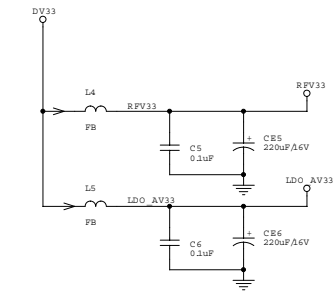
- 1 INDEX & POWER, RESET
- 2 RF, SERVO & MPEG - MT1389C&MT1389EE
- 3 MEMORY - SDRAM, FLASH/EEPROM, VIDEO OUT
- 4 AUDIO DAC & AUDIO OUT

NAME	TYPE	DEVICE
DV33	Digital 3.3V	MT1389E
RFV33	Servo 3.3V	MT1389E
LDO_AV33	Laser 3.3V	PICKUP HEADER
AVCC	RF 5V	PICKUP HEADER
V18	Digital 1.8V	MT1389E
+12VA	Audio +12V	OP AMP.
-12VA	Audio -12V	OP AMP.
MO_VCC	Servo 5V	Motor drive
+5V	MUTE 5V	MUTE drive
+5VA	Audio D/A 5V	Audio D/A SUPPLY
-24V	VFD	VFD Drive

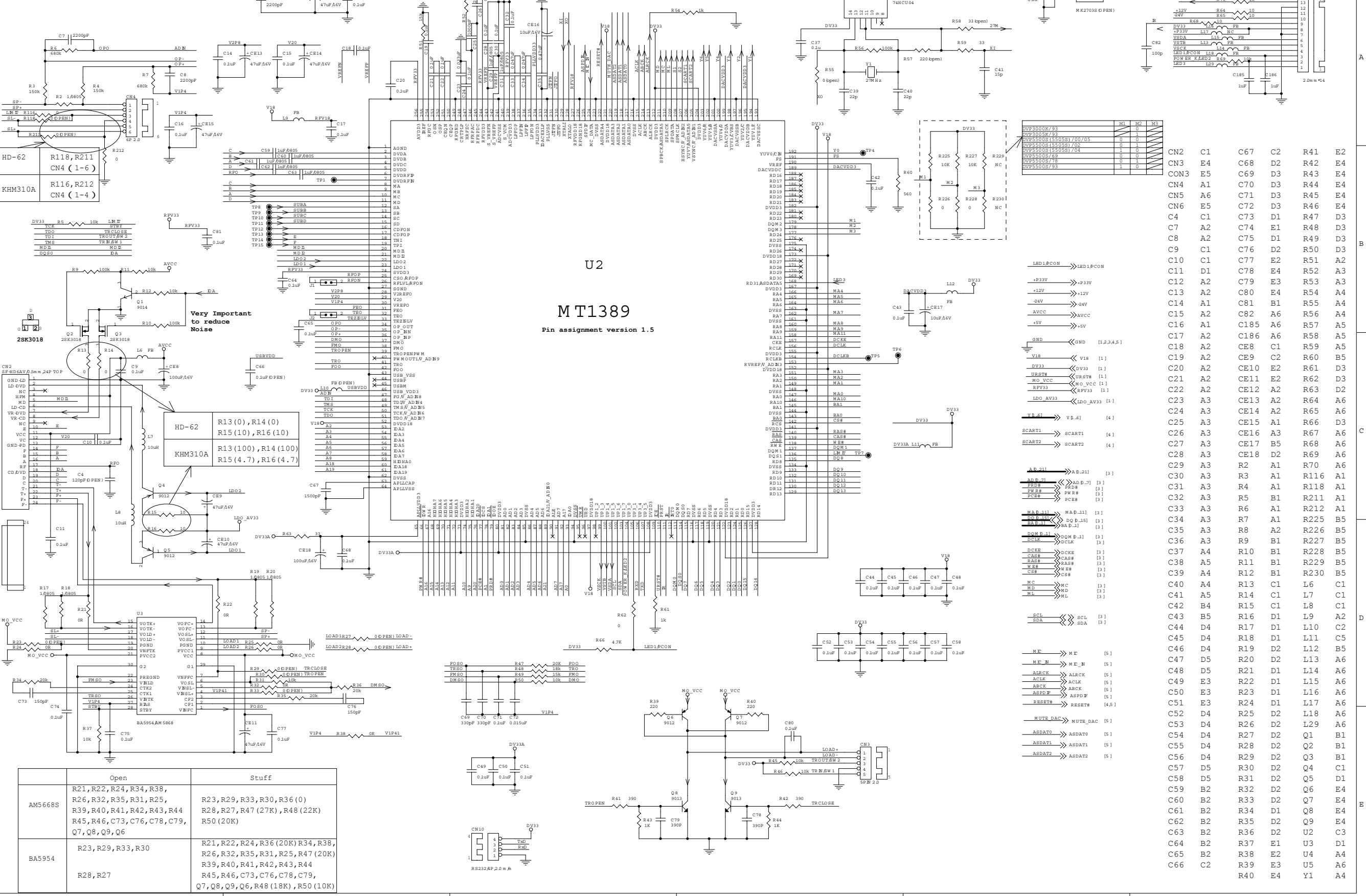
TO POWER BOARD



- R1 E5
- R167 C3
- R168 D3
- R214 D3
- R215 D3
- R216 D3
- R217 E3
- R218 E3
- R219 E2
- R220 E3
- R221 E3
- R222 D4
- R223 D4
- ZD2 E3
- ZD3 E3
- D1 E5
- CN1 D1
- C1 C3
- C2 C4
- C3 E1
- C5 D5
- C6 D5
- C152 C2
- C173 D3
- C175 E4
- CE1 C3
- CE2 C4
- CE3 E1
- CE5 D5
- CE6 D5
- CE7 E5
- CE56 E4
- L1 D4
- L2 E1
- L3 E1
- L4 C5
- L5 D5
- L20 E4
- Q32 D3
- Q33 E3
- Q34 E3
- Q35 F3
- Q36 D3
- U1 C3
- U20 D3



2、MPEG & SERVO
For DVP3000K (G005K)/93, DVP5500S & DVP5505S

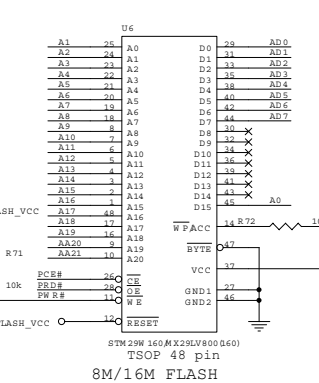
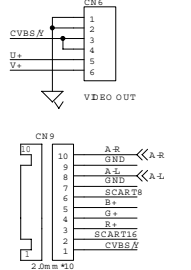
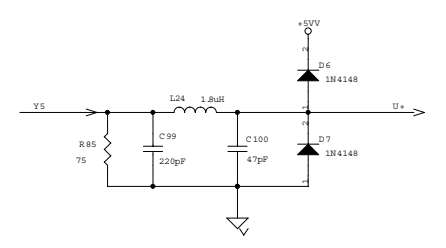
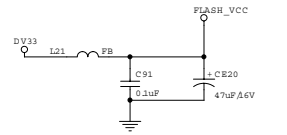
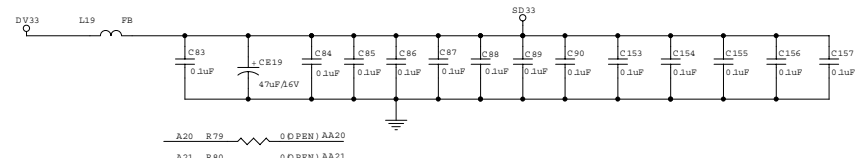


U2
MT1389
Pin assignment version 1.5

Pin	Function	Pin	Function	Pin	Function
CN2	C1	C67	C2	R41	E2
CN3	E4	C68	D2	R42	E4
CN4	A1	C69	D3	R43	E4
CN5	A6	C71	D3	R44	E4
CN6	E5	C72	D3	R45	E4
C7	A1	C73	D1	R46	E4
C8	A2	C74	E1	R47	D3
C9	C1	C75	D1	R48	D3
C10	C1	C76	D2	R49	D3
C11	D1	C77	E2	R50	D3
C12	A2	C78	E4	R51	A2
C13	A2	C79	E3	R52	A3
C14	A1	C80	E4	R53	A3
C15	A2	C81	B1	R54	A4
C16	A1	C82	A6	R55	A4
C17	A2	C85	A6	R56	A5
C18	A2	C86	A6	R57	A5
C19	A2	C87	C1	R58	A5
C20	A2	C88	C1	R59	A5
C21	A2	C89	C2	R60	B5
C22	A2	C90	E2	R61	D3
C23	A3	C91	E2	R62	D3
C24	A3	C92	A2	R63	D2
C25	A3	C93	A2	R64	A6
C26	A3	C94	A2	R65	A6
C27	A3	C95	A1	R66	D3
C28	A3	C96	A3	R67	A6
C29	A3	C97	B5	R68	A6
C30	A3	C98	D2	R69	A6
C31	A3	C99	R2	R70	A6
C32	A3	C100	R3	R71	A6
C33	A3	C101	R4	R72	A1
C34	A3	C102	R5	R73	A1
C35	A3	C103	R6	R74	A1
C36	A3	C104	R7	R75	B5
C37	A4	C105	R8	R76	B5
C38	A5	C106	R9	R77	B5
C39	A4	C107	R10	R78	B5
C40	A4	C108	R11	R79	B5
C41	A5	C109	R12	R80	B5
C42	B4	C110	R13	L6	C1
C43	B5	C111	R14	L7	C1
C44	D4	C112	R15	L8	C1
C45	D4	C113	R16	L9	A2
C46	D4	C114	R17	L10	C2
C47	D5	C115	R18	L11	C5
C48	D5	C116	R19	L12	B5
C49	E3	C117	R20	L13	A6
C50	E3	C118	R21	L14	A6
C51	E3	C119	R22	L15	A6
C52	D4	C120	R23	L16	A6
C53	D4	C121	R24	L17	A6
C54	D4	C122	R25	L18	A6
C55	D4	C123	R26	L19	A6
C56	D4	C124	R27	L20	A6
C57	D5	C125	R28	L21	B1
C58	D5	C126	R29	L22	B1
C59	B2	C127	R30	L23	B1
C60	B2	C128	R31	L24	B1
C61	B2	C129	R32	L25	B1
C62	B2	C130	R33	L26	B1
C63	B2	C131	R34	L27	B1
C64	B2	C132	R35	L28	B1
C65	B2	C133	R36	L29	B1
C66	C2	C134	R37	L30	B1
C67	C2	C135	R38	L31	B1
C68	C2	C136	R39	L32	B1
C69	C2	C137	R40	L33	B1
C70	C2	C138	R41	L34	B1
C71	C2	C139	R42	L35	B1
C72	C2	C140	R43	L36	B1
C73	C2	C141	R44	L37	B1
C74	C2	C142	R45	L38	B1
C75	C2	C143	R46	L39	B1
C76	C2	C144	R47	L40	B1
C77	C2	C145	R48	L41	B1
C78	C2	C146	R49	L42	B1
C79	C2	C147	R50	L43	B1
C80	C2	C148	R51	L44	B1
C81	C2	C149	R52	L45	B1
C82	C2	C150	R53	L46	B1
C83	C2	C151	R54	L47	B1
C84	C2	C152	R55	L48	B1
C85	C2	C153	R56	L49	B1
C86	C2	C154	R57	L50	B1
C87	C2	C155	R58	L51	B1
C88	C2	C156	R59	L52	B1
C89	C2	C157	R60	L53	B1
C90	C2	C158	R61	L54	B1
C91	C2	C159	R62	L55	B1
C92	C2	C160	R63	L56	B1
C93	C2	C161	R64	L57	B1
C94	C2	C162	R65	L58	B1
C95	C2	C163	R66	L59	B1
C96	C2	C164	R67	L60	B1
C97	C2	C165	R68	L61	B1
C98	C2	C166	R69	L62	B1
C99	C2	C167	R70	L63	B1
C100	C2	C168	R71	L64	B1
C101	C2	C169	R72	L65	B1
C102	C2	C170	R73	L66	B1
C103	C2	C171	R74	L67	B1
C104	C2	C172	R75	L68	B1
C105	C2	C173	R76	L69	B1
C106	C2	C174	R77	L70	B1
C107	C2	C175	R78	L71	B1
C108	C2	C176	R79	L72	B1
C109	C2	C177	R80	L73	B1
C110	C2	C178	R81	L74	B1
C111	C2	C179	R82	L75	B1
C112	C2	C180	R83	L76	B1
C113	C2	C181	R84	L77	B1
C114	C2	C182	R85	L78	B1
C115	C2	C183	R86	L79	B1
C116	C2	C184	R87	L80	B1
C117	C2	C185	R88	L81	B1
C118	C2	C186	R89	L82	B1
C119	C2	C187	R90	L83	B1
C120	C2	C188	R91	L84	B1
C121	C2	C189	R92	L85	B1
C122	C2	C190	R93	L86	B1
C123	C2	C191	R94	L87	B1
C124	C2	C192	R95	L88	B1
C125	C2	C193	R96	L89	B1
C126	C2	C194	R97	L90	B1
C127	C2	C195	R98	L91	B1
C128	C2	C196	R99	L92	B1
C129	C2	C197	R100	L93	B1
C130	C2	C198	R101	L94	B1
C131	C2	C199	R102	L95	B1
C132	C2	C200	R103	L96	B1
C133	C2	C201	R104	L97	B1
C134	C2	C202	R105	L98	B1
C135	C2	C203	R106	L99	B1
C136	C2	C204	R107	L100	B1
C137	C2	C205	R108	L101	B1
C138	C2	C206	R109	L102	B1
C139	C2	C207	R110	L103	B1
C140	C2	C208	R111	L104	B1
C141	C2	C209	R112	L105	B1
C142	C2	C210	R113	L106	B1
C143	C2	C211	R114	L107	B1
C144	C2	C212	R115	L108	B1
C145	C2	C213	R116	L109	B1
C146	C2	C214	R117	L110	B1
C147	C2	C215	R118	L111	B1
C148	C2	C216	R119	L112	B1
C149	C2	C217	R120	L113	B1
C150	C2	C218	R121	L114	B1
C151	C2	C219	R122	L115	B1
C152	C2	C220	R123	L116	B1
C153	C2	C221	R124	L117	B1
C154	C2	C222	R125	L118	B1
C155	C2	C223	R126	L119	B1
C156	C2	C224	R127	L120	B1
C157	C2	C225	R128	L121	B1
C158	C2	C226	R129	L122	B1
C159	C2	C227	R130	L123	B1
C160	C2	C228	R131	L124	B1
C161	C2	C229	R132	L125	B1
C162	C2	C230	R133	L126	B1
C163	C2	C231	R134	L127	B1
C164	C2	C232	R135	L128	B1
C165	C2	C233	R136	L129	B1
C166	C2	C234	R137	L130	B1
C167	C2	C235	R138	L131	B1
C168	C2	C236	R139	L132	B1
C169	C2	C237	R140	L133	B1
C170	C2	C238	R141	L134	B1
C171	C2	C239	R142	L135	B1
C172	C2	C240	R143	L136	B1
C173	C2	C241	R144	L137	B1
C174	C2	C242	R145	L138	B1
C175	C2	C243	R146	L139	B1
C176	C2	C244	R147	L140	B1
C177	C2	C245	R148	L141	B1
C178	C2	C246	R149	L142	B1
C179	C2	C247	R150	L143	B1
C180	C2	C248	R151	L144	B1
C181	C2	C249	R152	L145	B1
C182	C2	C250	R153	L146	B1
C183	C2	C251	R154	L147	B1
C184	C2	C252	R155	L148	B1
C185	C2	C253	R156	L149	B1
C186	C2	C254	R157	L150	B1
C187	C2	C255	R158	L151	B1
C188	C2	C256	R159	L152	B1
C189	C2	C257	R160	L153	B1
C190	C2	C258	R161	L154	B1
C191	C2	C259	R162	L155	B1
C192	C2	C260	R163	L156	B1
C193	C2	C261	R164	L157	B1
C194	C2	C262	R165	L158	B1
C195	C2	C263	R166	L159	B1
C196	C2	C264	R167	L160	B1
C197	C2	C265	R168	L161	B1
C198	C2	C266	R169	L162	B1
C199	C2	C267	R170	L163	B1
C200	C2	C268	R171	L164	B1
C201	C2	C269	R172	L165	B1
C202	C2	C270	R173	L166	B1
C203	C2	C271	R174	L167	B1
C204	C2	C272	R175	L168	B1
C205	C2	C273	R176	L169	B1
C206	C2	C274	R177	L170	B1
C207	C2	C275	R178	L171	B1
C208	C2	C276	R179	L172	B1
C209	C2	C277	R180	L173	B1
C210	C2	C278	R181	L174	B1
C211	C2	C279	R182	L175	B1
C212	C2	C280	R183	L176	B1
C213	C2	C281	R184	L177	B1
C214	C2	C282	R185	L178	B1
C215	C2	C283	R186	L179	B1
C216	C2	C284	R187	L180	B1
C217	C2	C285	R188	L181	B1
C218	C2	C286	R189	L182	B1
C219	C2	C287	R190	L183	B1
C220	C2	C288	R191	L184	B1
C221	C2	C289	R192	L185	B1
C222	C2	C290	R193	L186	B1
C223	C2	C291	R194	L187	B1
C224	C2	C292	R195	L188	B1
C225	C2	C293	R196	L189	B1
C226	C2	C294	R197	L190	B1
C227	C2	C295	R198	L191	B1
C228	C2	C296	R199	L192	B1
C229	C2	C297	R200	L193	B1
C230	C2	C298	R201	L194	B1
C231	C2	C299	R202	L195	B1
C232	C2	C300	R203	L196	B1
C233	C2	C301	R204	L197	B1
C234	C2	C302	R205	L198	B1
C235	C2	C303	R206	L199	B1
C236	C2	C304	R207	L200	B1
C237	C2	C305	R208	L201	B1
C238	C2	C306	R209	L202	B1
C239	C2	C307	R210	L203	B1
C240	C2	C308	R211	L204	B1
C241	C2	C309	R212	L205	B1
C242	C2	C310	R213	L206	B1
C243	C2	C311	R214	L207	B1
C244	C2	C312	R215	L208	B1
C245	C2	C313	R216	L209	B1
C246	C2	C314	R217	L210	B1
C247	C2	C315	R218	L211	B1
C248	C2	C316	R219	L212	B1
C249	C2	C317	R220	L213	B1
C250	C2	C318	R221	L214	B1
C251	C2	C319	R222	L215	B1
C252	C2	C320	R223	L216	B1
C253	C2	C321	R224	L217	B1
C254	C2	C322			

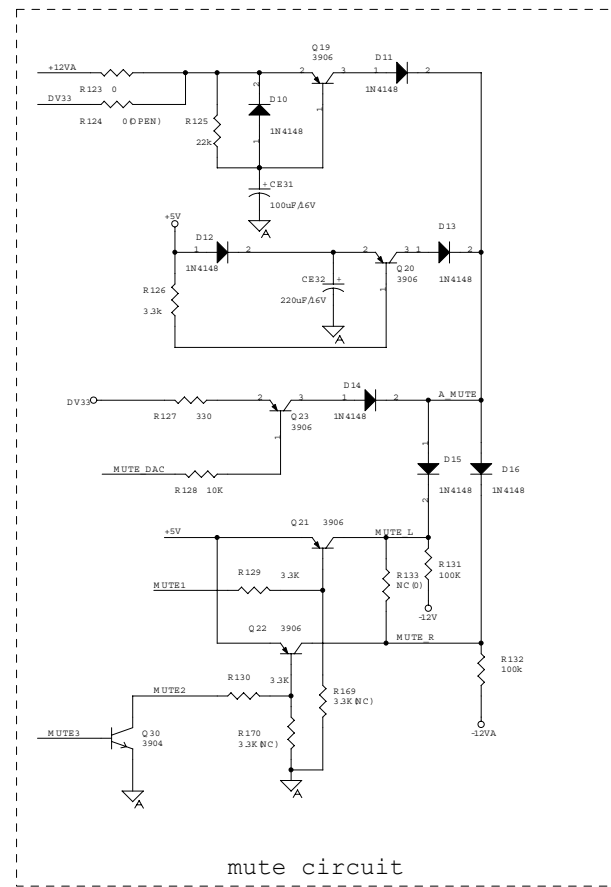
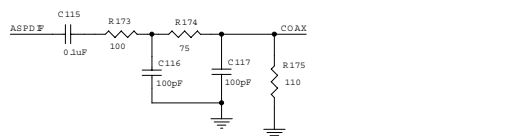
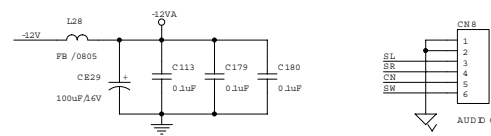
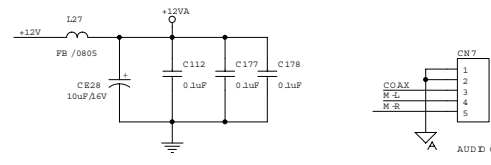
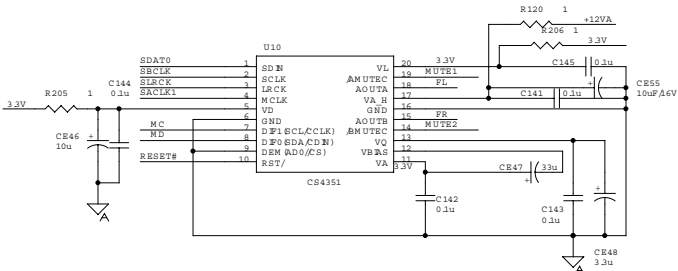
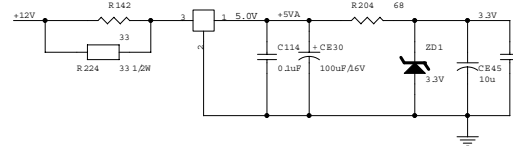
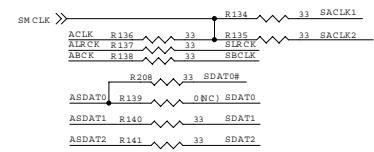
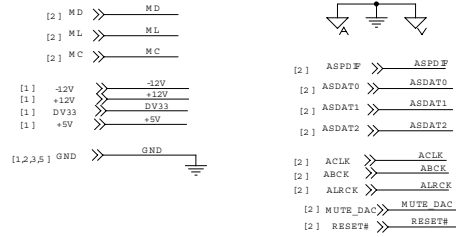
3. SDRAM, FLASH, VIDE FILTER & SCART OUT PUT

For DVP3000K (B005K)/93, DVP5500S & DVP5505S

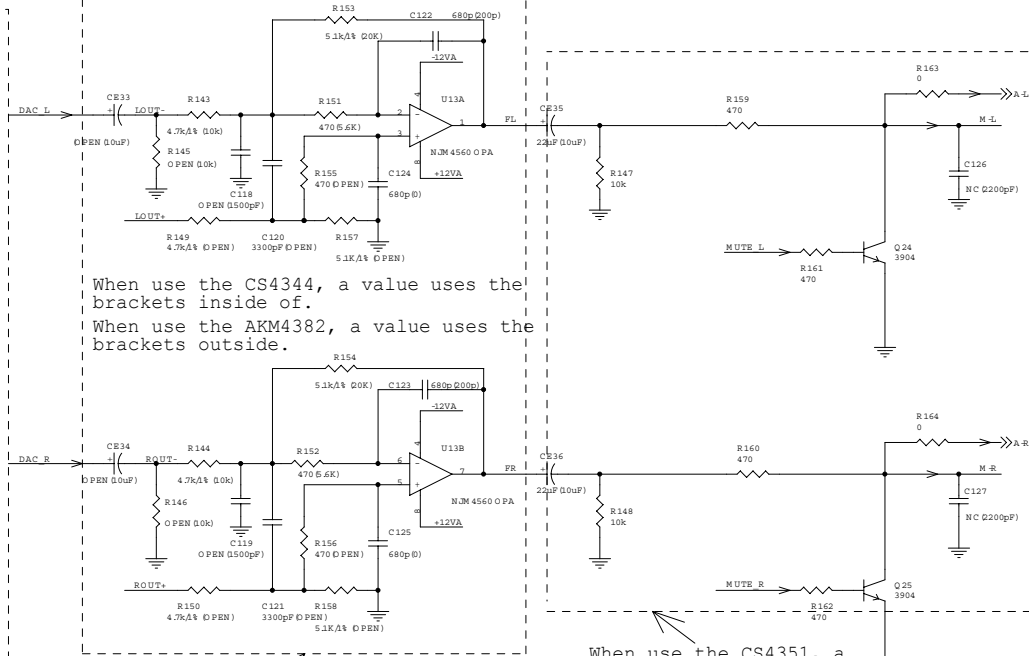
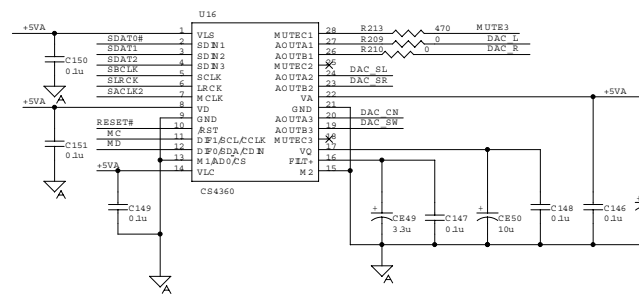
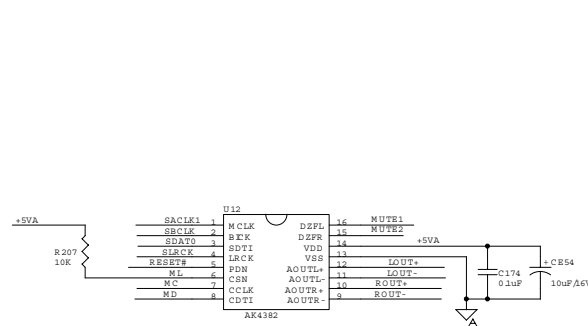


4. AUDD FILTER & OUT PUT

For DVP3000K (3005K)/B3, DVP5500S & DVP5505S



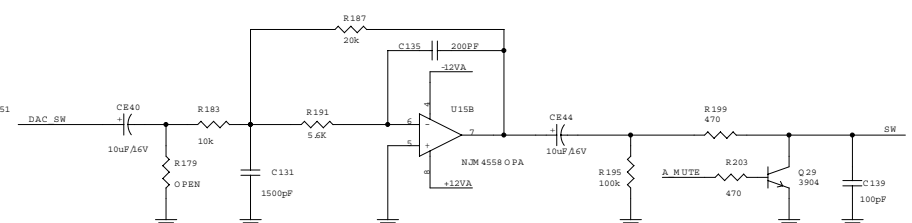
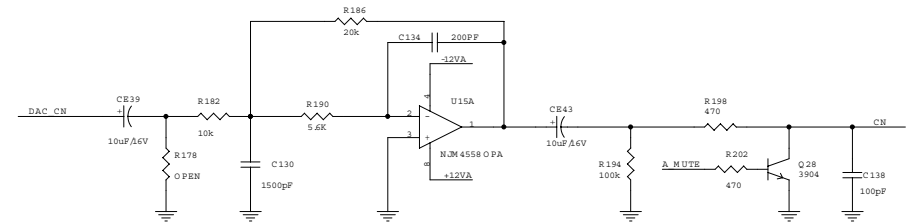
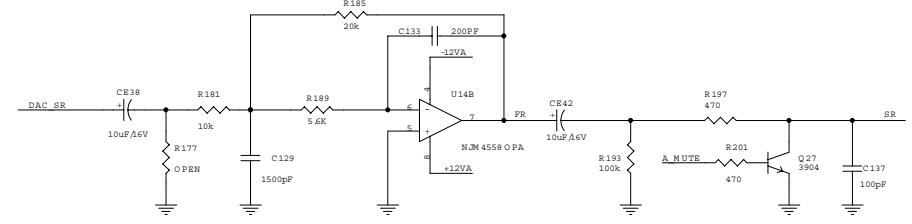
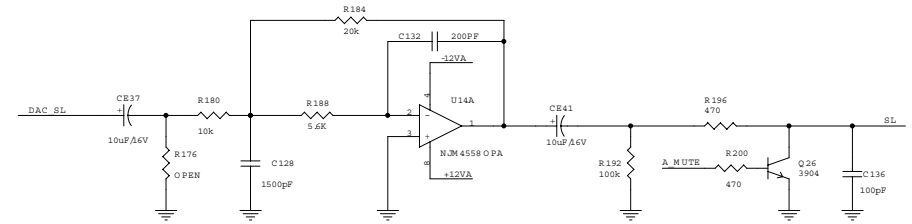
mute circuit



When use the CS4344, a value uses the brackets inside of.
When use the AKM4382, a value uses the brackets outside.

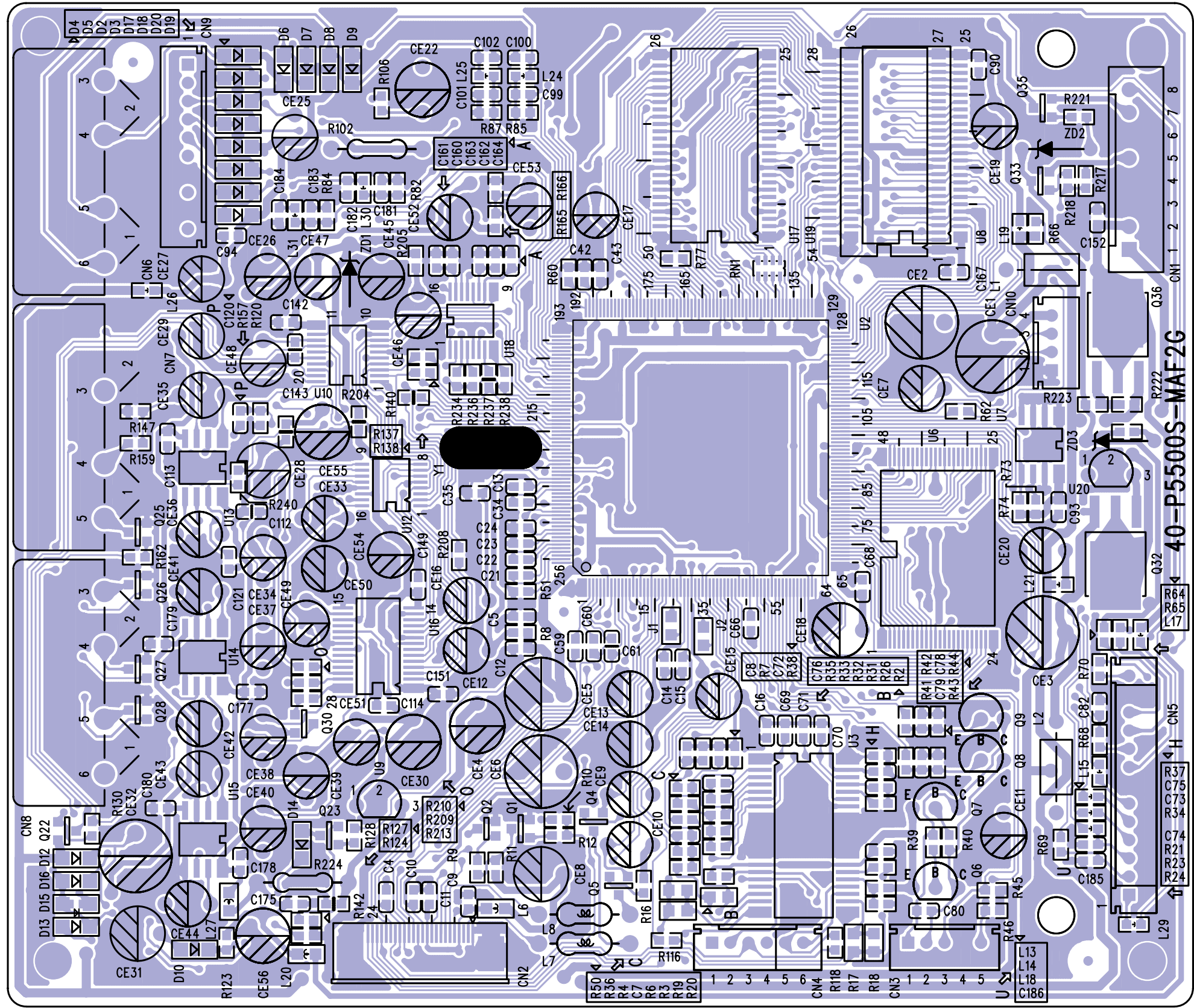
When use the cs4351, this inside of circle a piece is "OPEN"

When use the CS4351, a value uses the brackets inside of.

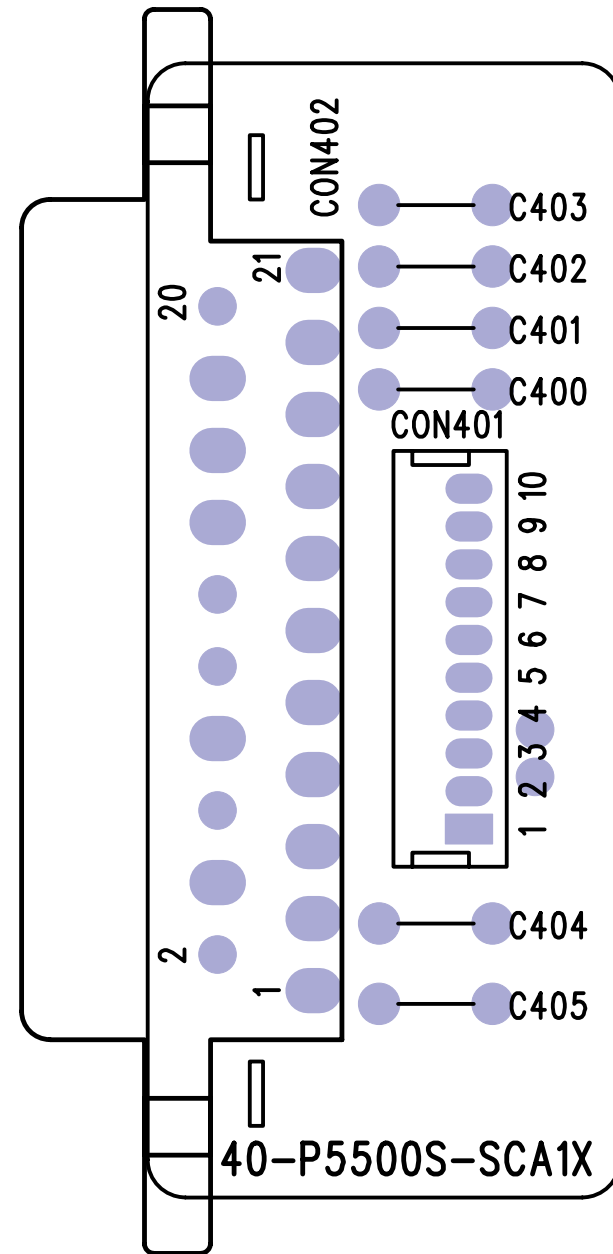


R120	C3	R205	C1	L27	D1
R123	A2	R206	C2	L28	E1
R124	A2	R207	D2	Q19	A3
R125	A2	R208	B1	Q20	A3
R126	A2	R209	E3	Q21	B3
R127	B2	R210	E3	Q22	B3
R128	B2	R213	E3	Q23	B3
R129	B2	R224	C1	Q24	A5
R130	B2	C112	D1	Q25	B5
R131	B3	C113	E1	Q26	C5
R132	B3	C114	C1	Q27	D5
R133	B3	C115	E1	Q28	D5
R134	B1	C116	E1	Q29	E5
R135	B1	C117	E1	Q30	B5
R136	B1	C118	A4	D10	A3
R137	B1	C119	B4	D11	A3
R138	B1	C120	A4	D12	A2
R139	B1	C121	B4	D13	A3
R140	B1	C122	A4	D14	B3
R141	B1	C123	B4	D15	B3
R142	C1	C126	A6	D16	B3
R143	A4	C127	B6	ZD1	C1
R144	B4	C128	C4	U9	C1
R145	A4	C129	D4	U10	C1
R146	B4	C130	D4	U12	D3
R147	A5	C131	E2	U13	A4
R148	B5	C132	C5	U13	A4
R149	A4	C133	C5	U14	C5
R150	B4	C134	D5	U15	D5
R151	A4	C135	E5	U16	E3
R152	B4	C136	C6	U20	C3
R153	A4	C137	D6	CN7	D2
R154	B4	C138	D6	CN8	E2
R155	A4	C139	E5		
R156	B4	C140	C2		
R157	A4	C141	C2		
R158	B4	C142	D2		
R159	A5	C143	D2		
R160	B5	C144	C1		
R161	A5	C145	C3		
R162	B5	C146	E3		
R163	A6	C147	E3		
R164	B6	C148	E3		
R169	C3	C149	E2		
R170	C3	C150	E2		
R173	E1	C151	E2		
R174	E1	C174	D3		
R175	E1	C177	D1		
R176	C4	C178	D1		
R177	D4	C179	E1		
R178	D4	C180	E1		
R179	E4	CE28	D1		
R180	C4	CE29	E1		
R181	D4	CE30	C1		
R182	D4	CE31	A3		
R183	E4	CE32	A3		
R184	C4	CE33	A4		
R185	C4	CE34	B4		
R186	D4	CE35	A5		
R187	E4	CE36	B4		
R188	C4	CE37	C4		
R189	D4	CE38	D4		
R190	D4	CE39	D4		
R191	E4	CE40	E4		
R192	C5	CE41	C5		
R193	D5	CE42	D5		
R194	D5	CE43	D5		
R195	E5	CE44	E5		
R196	C5	CE45	C2		
R197	D5	CE46	C1		
R198	D5	CE47	D2		
R199	E5	CE48	D2		
R200	C5	CE49	E3		
R201	D5	CE50	E3		
R202	D5	CE51	E3		
R203	E5	CE54	D3		
R204	C1	CE55	C2		

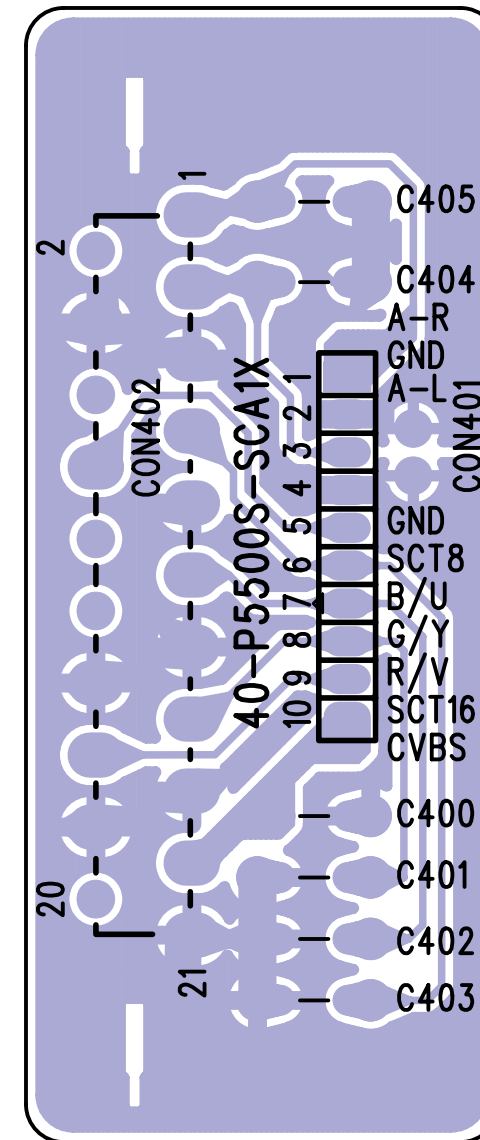
DVP5500S & DVP5505S Mpeg Board Top side



DVP5500S & DVP5505S ScartBoard Top side (only for Europe)



DVP5500S & DVP5505S (Europe) ScartBoard Bottom side (only for Europe)



DVP5100(K) Exploded View

