

SAMSUNG

DVD RECEIVER AMP

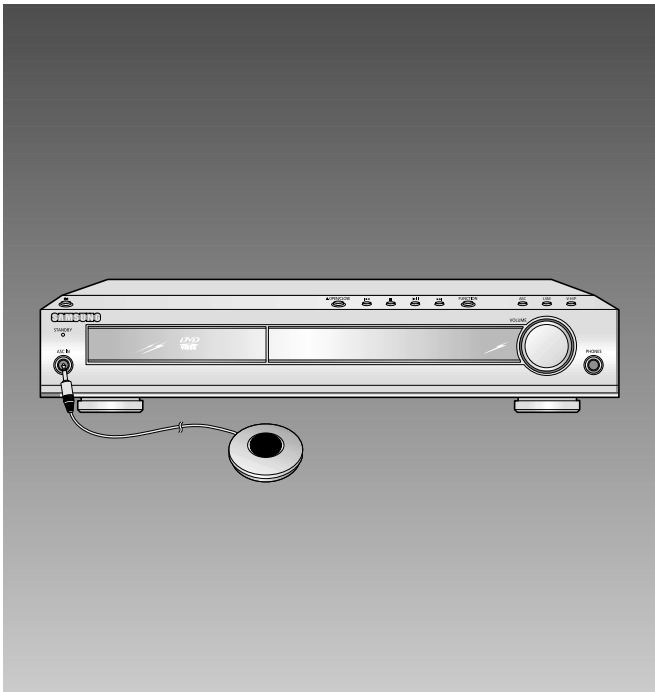
HT-DB750

HT-DB1750

HT-DB1850

SERVICE Manual

DVD RECEIVER AMP SYSTEM



CONTENTS

1. Alignment and Adjustments
2. Exploded Views and Parts List
3. Electrical Parts List
4. Block Diagrams
5. PCB Diagrams
6. Wiring Diagram
7. Schematic Diagrams
8. IC block Diagrams
9. Troubleshooting

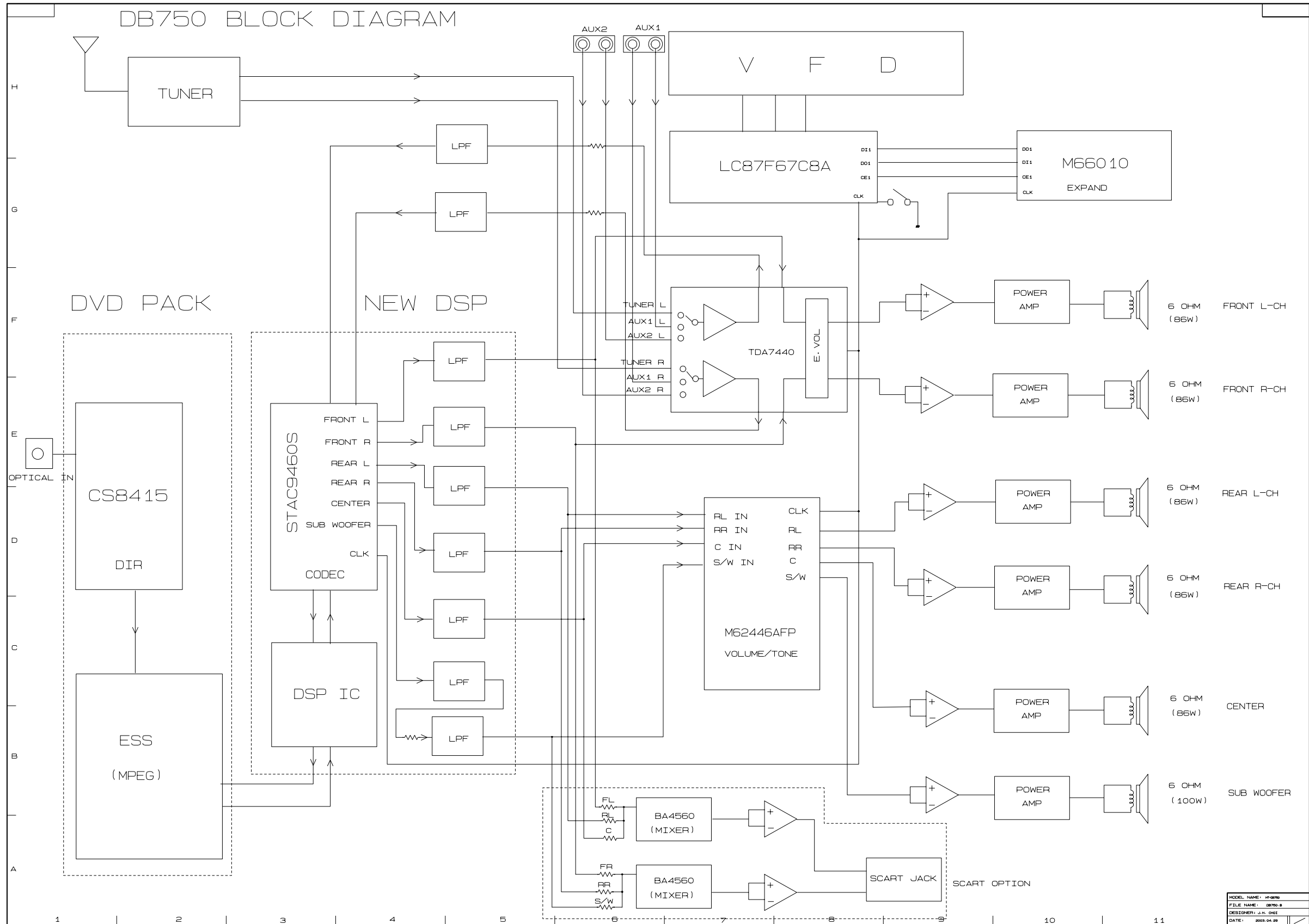
Notice !!

You can search for the updated part code through ITSELF web site.
URL; <http://itself.sec.samsung.co.kr>

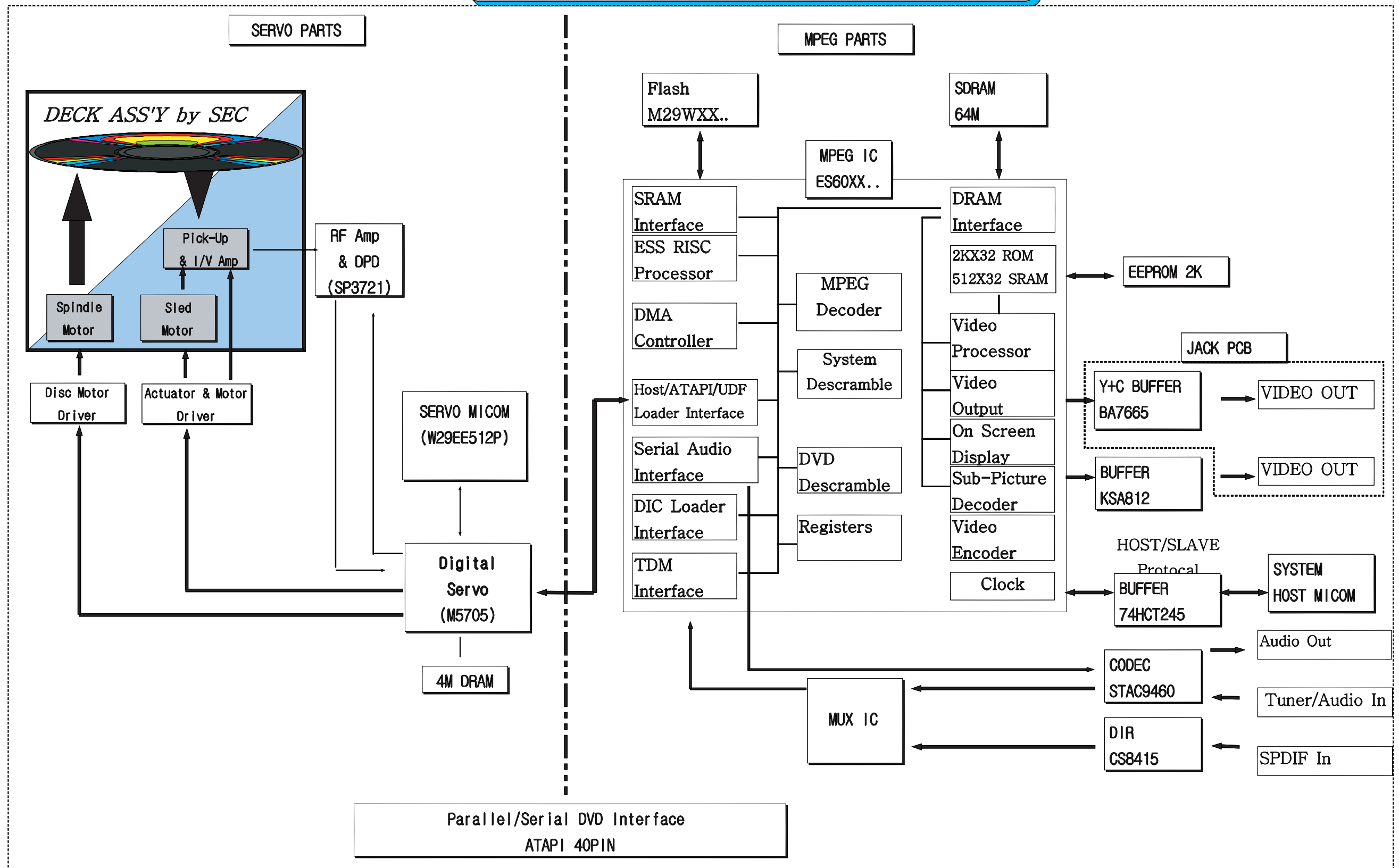
- Confidential -

4. Block Diagram

4-1 MAIN Part

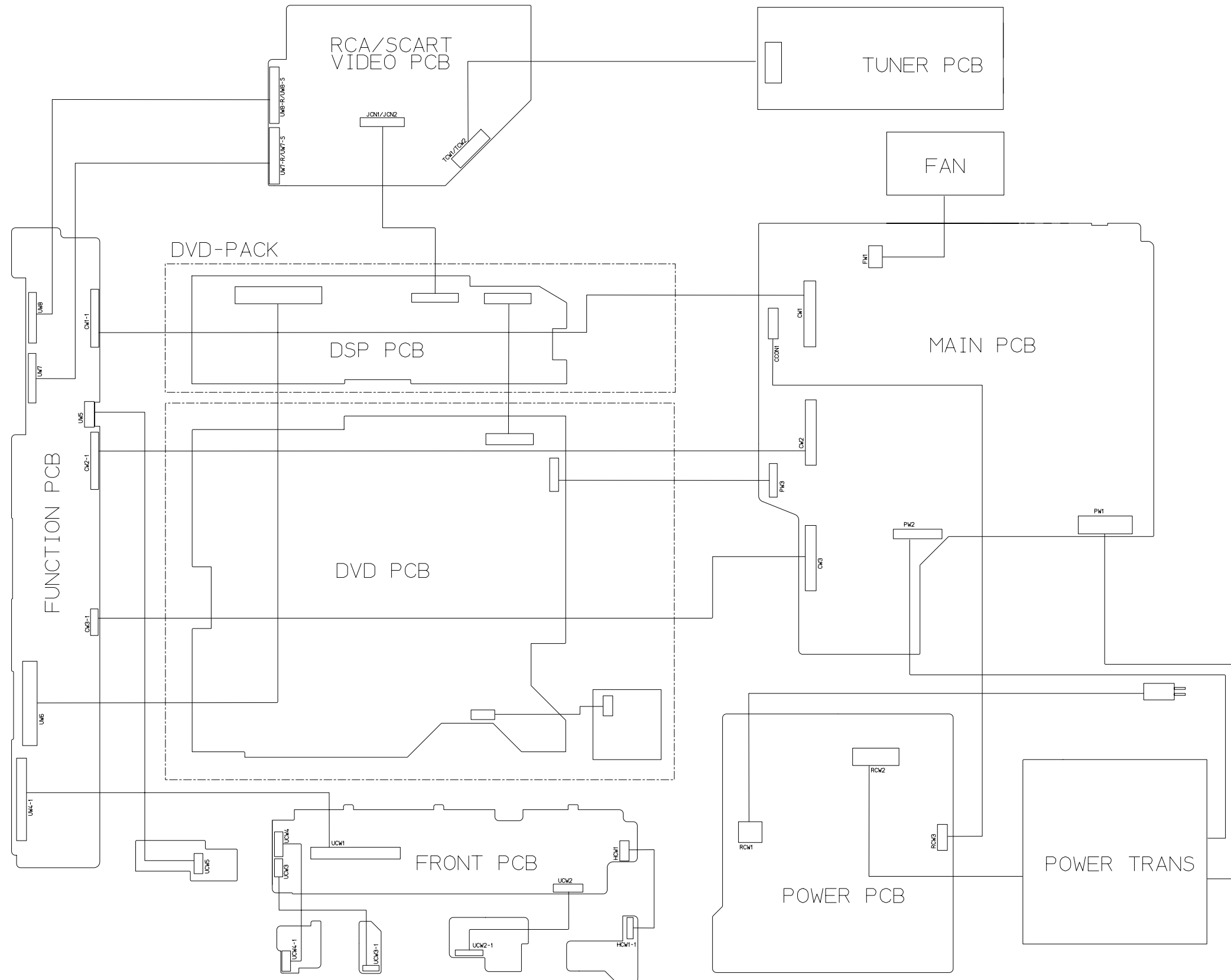


DVD BLOCK DIAGRAM

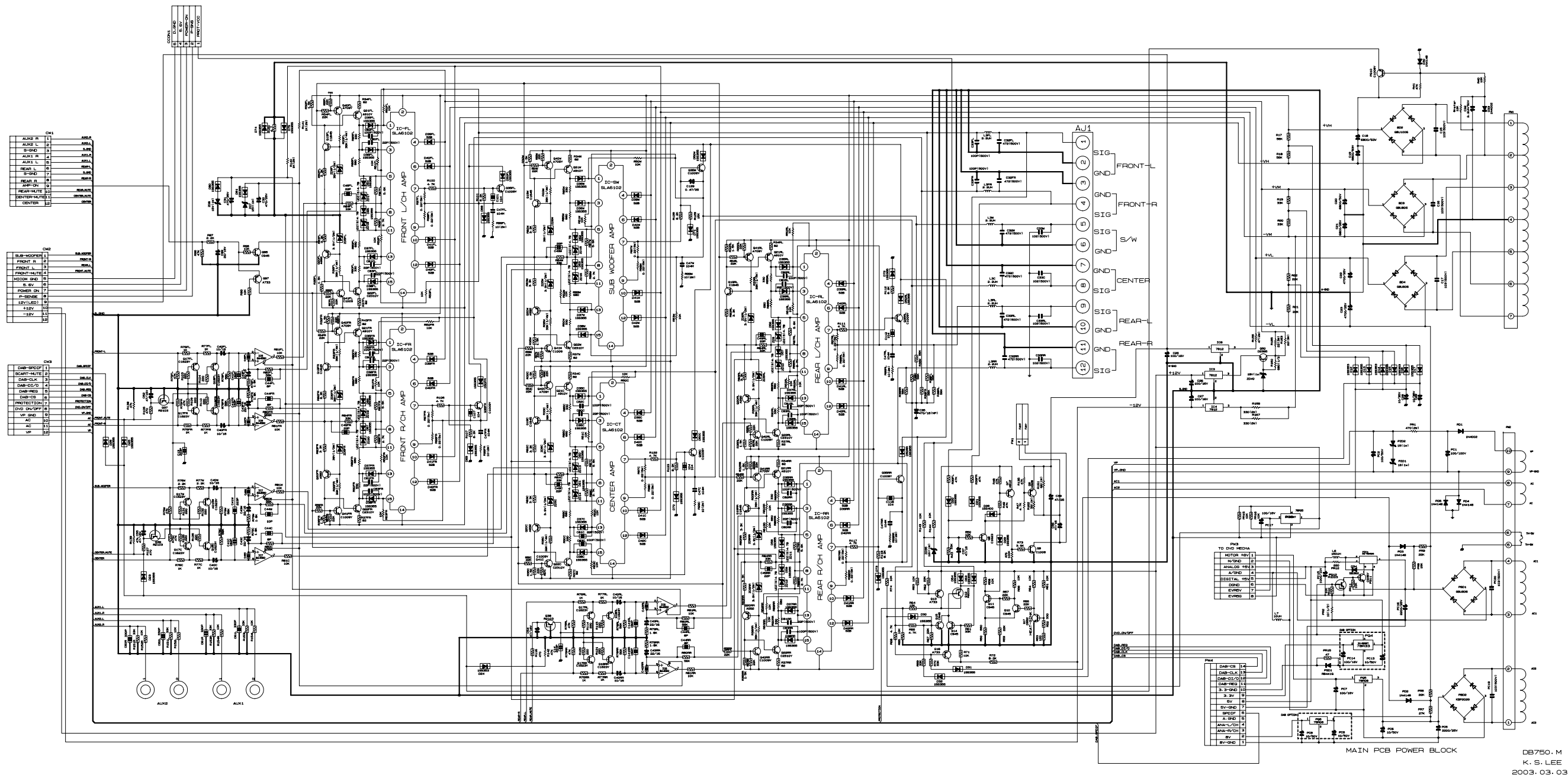


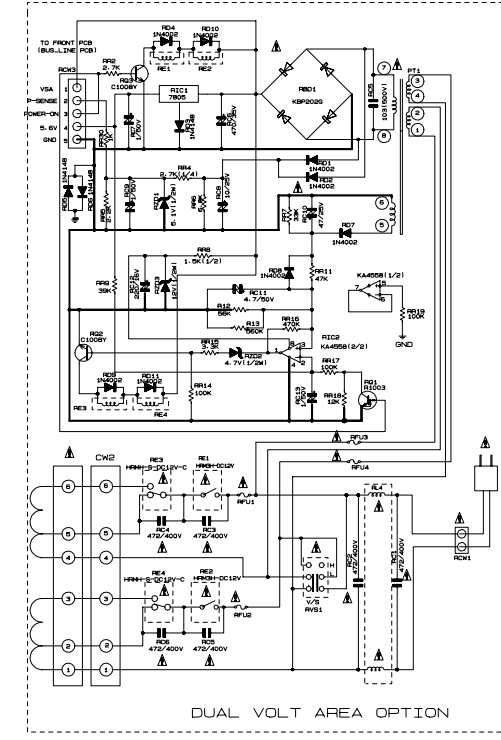
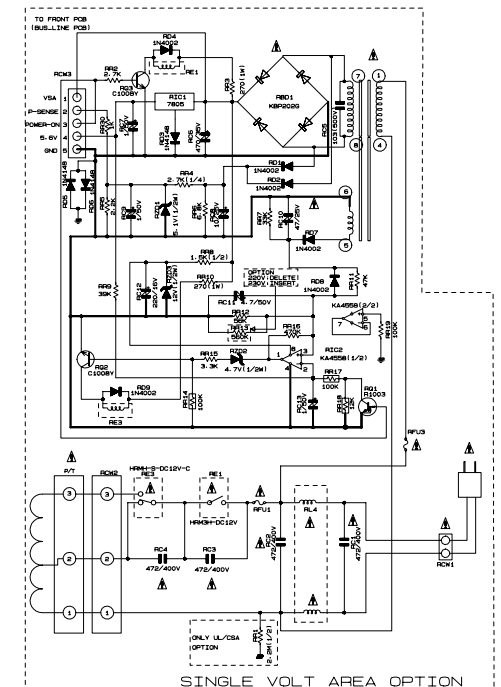
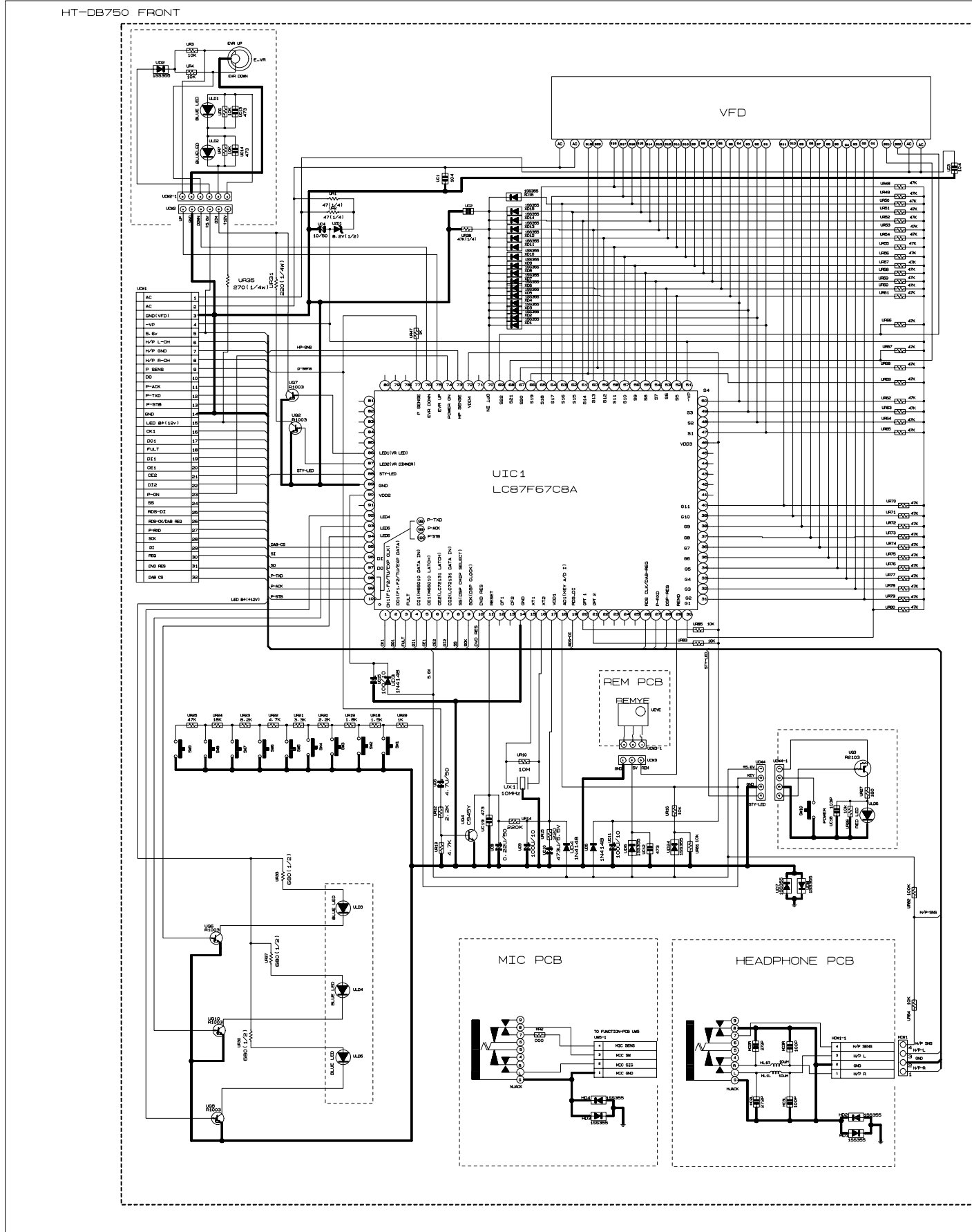
6. Wiring Diagram

HT-DB750 WIRING DIAGRAM DB750.W



7-1 MAIN



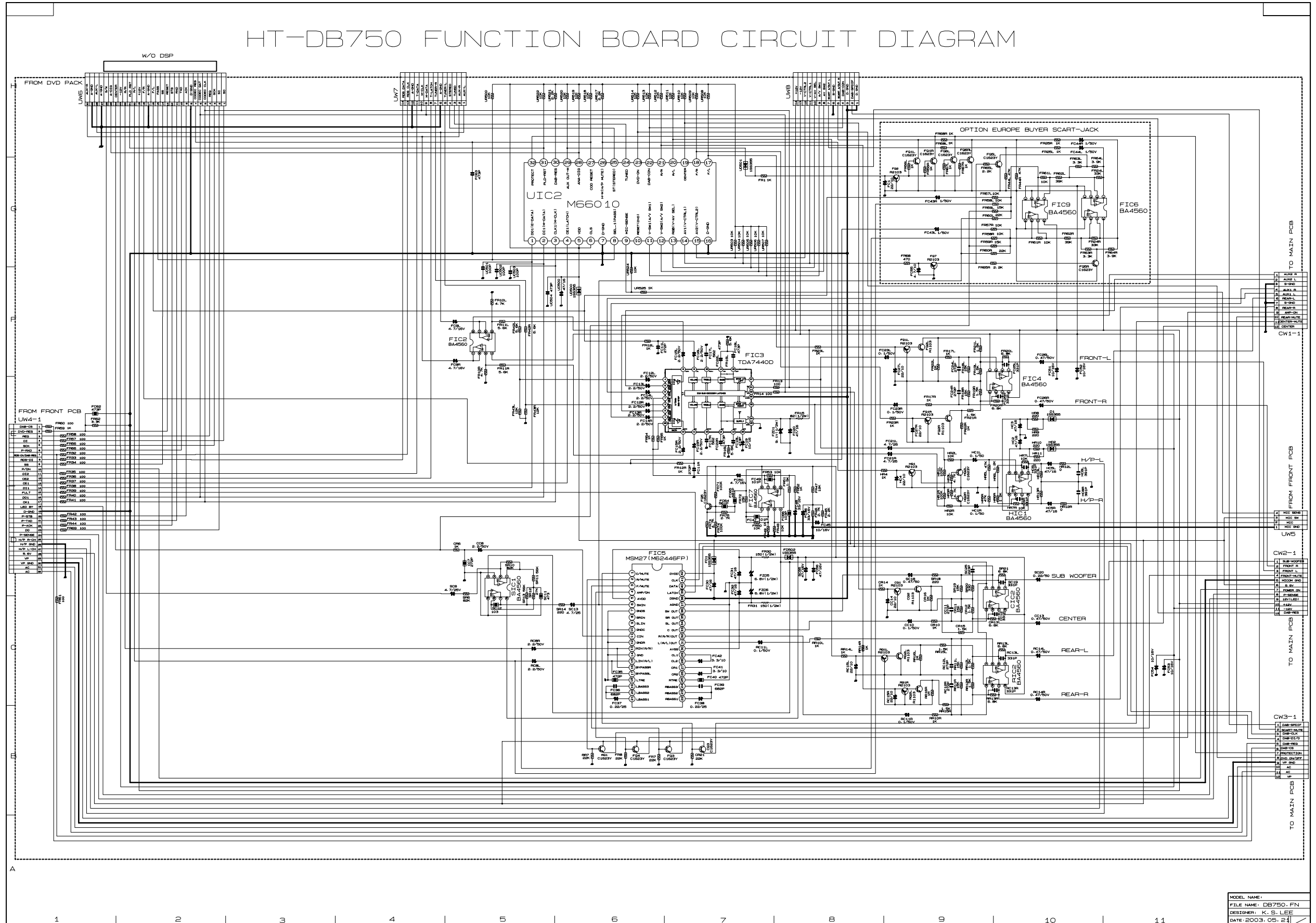


FUSE OPTION

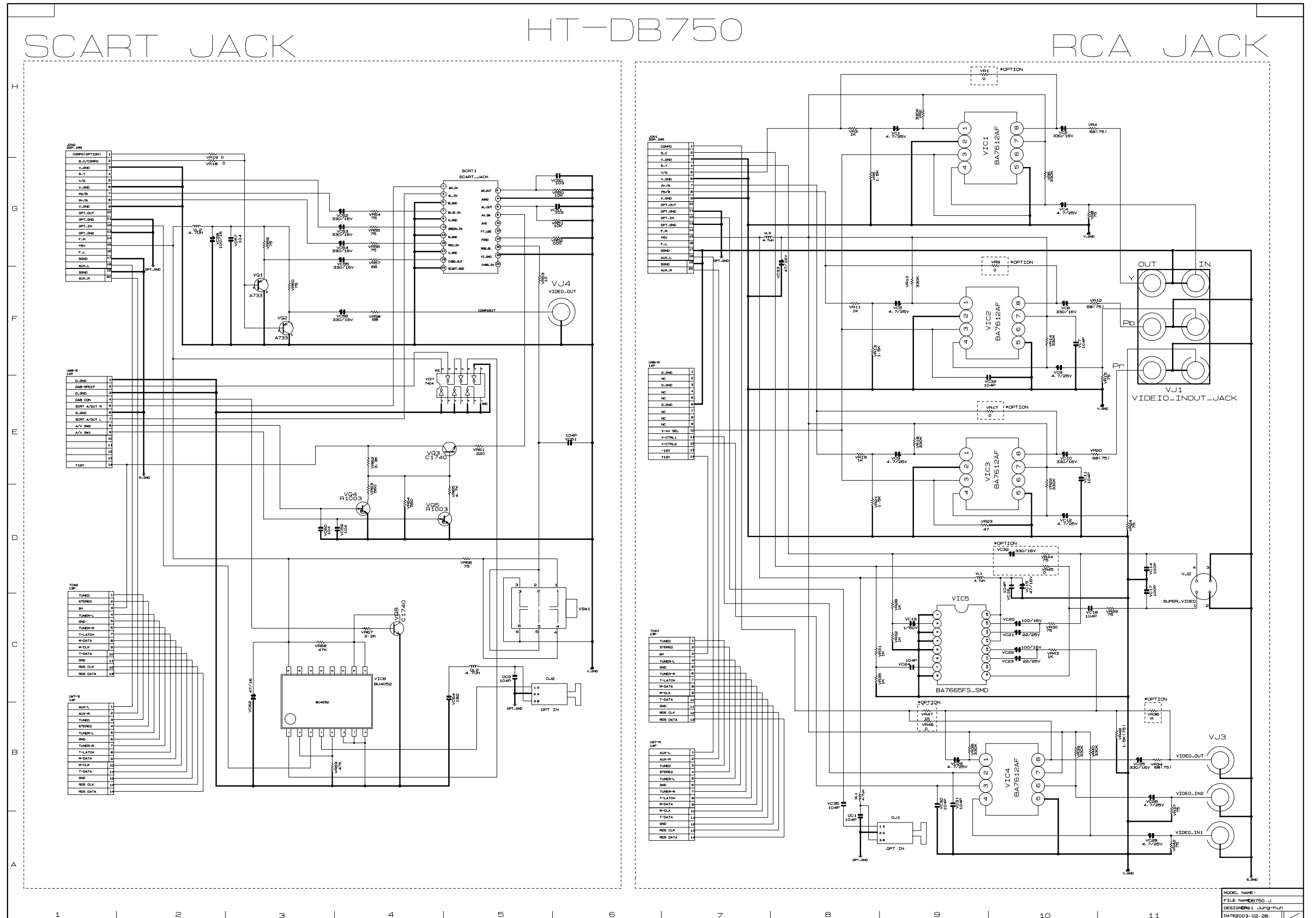
AREA OPTION	110V/120V	220V/230V	110-127V 220-240V
FU1	8A 125V	14A 250V	14A 250V
FU2	—	—	14A 250V
FU3	1150mA 250V	1700mA 250V	1700mA 250V
FU4	—	—	1700mA 250V

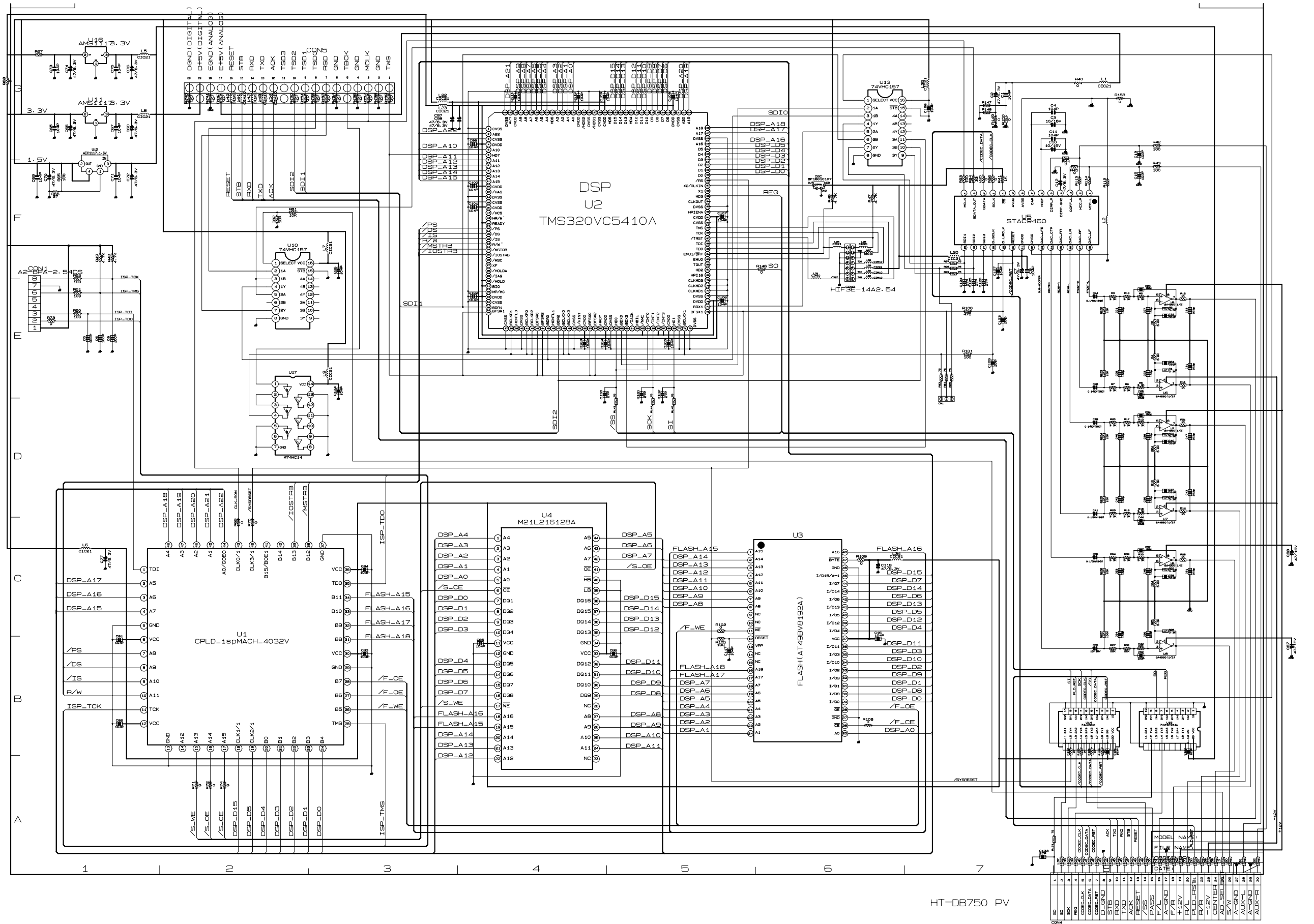
NOTICE
 ■ DIGITAL GND
 ⊕ CHASSIS GND
 □ ANALOG GND
 MODEL
 HT-DB750
 DESIGNER
 LEE K.S
 APR/DATE
 2002.09.06
 FOR USE
 PRET01

HT-DB750 FUNCTION BOARD CIRCUIT DIAGRAM

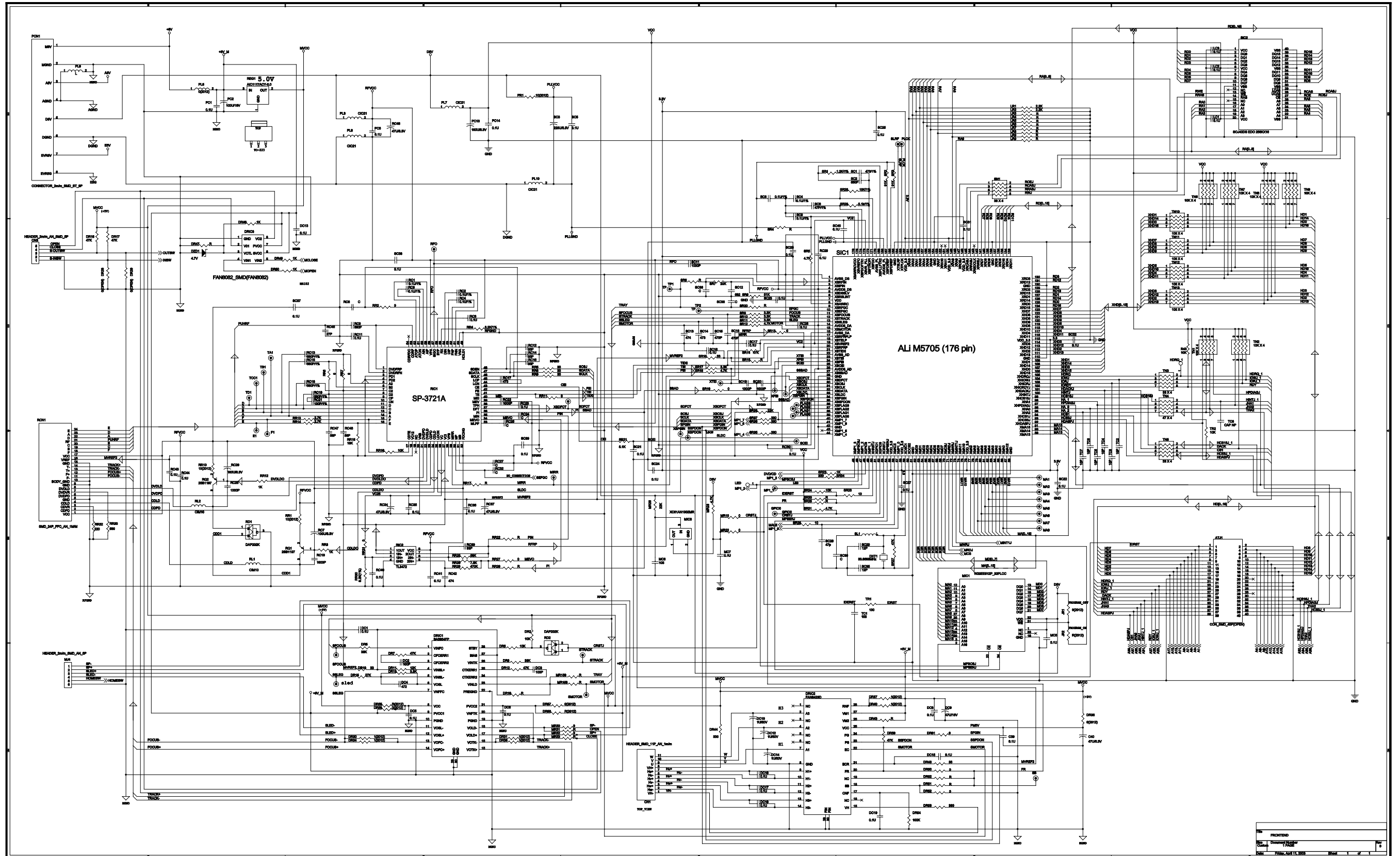


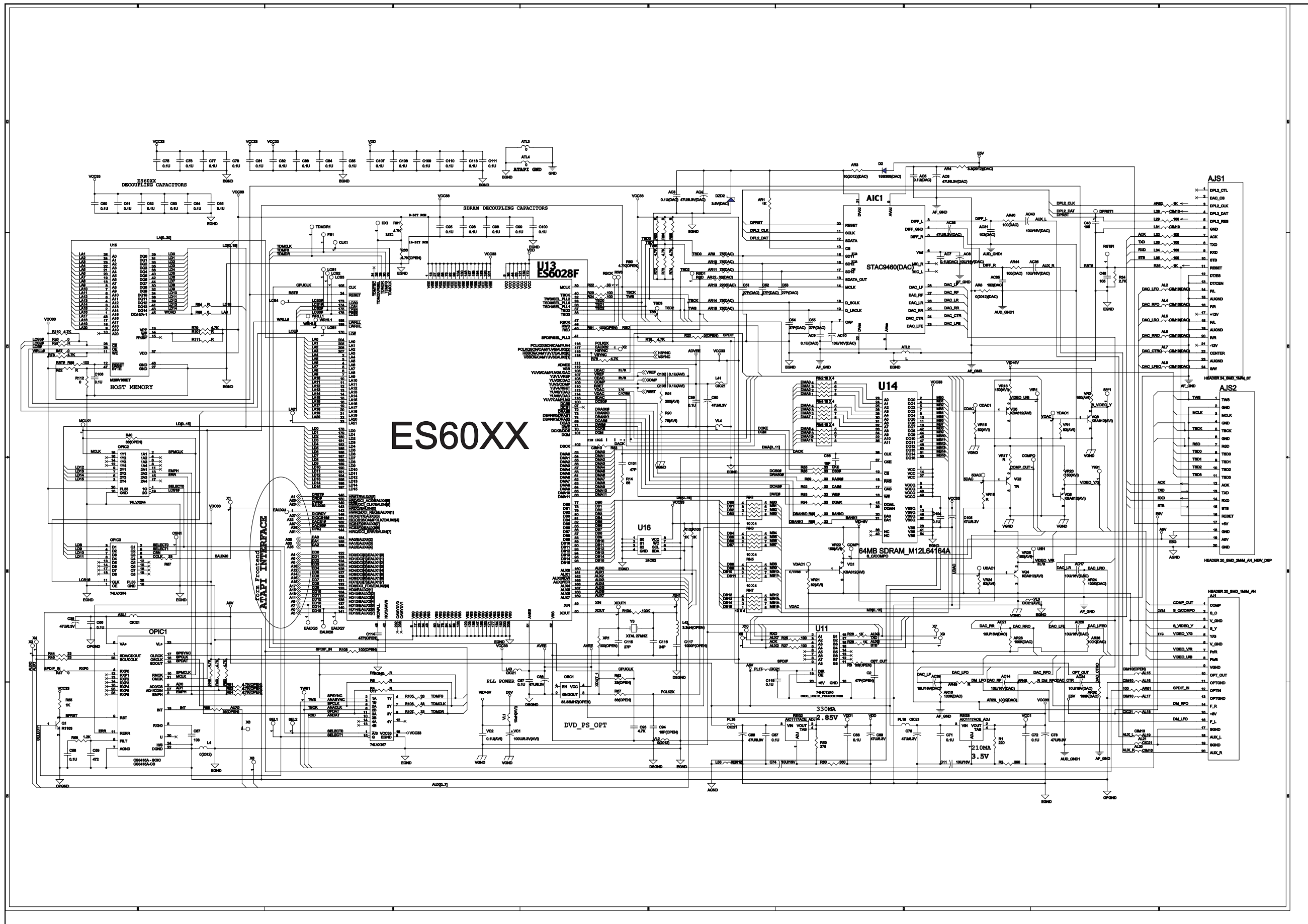
MODEL NAME: DB750, FN
FILE NAME: DB750, FN
DESIGNER: K. S. LEE
DATE: 2003. 05. 24





HT-DB750 PV





ES60XX