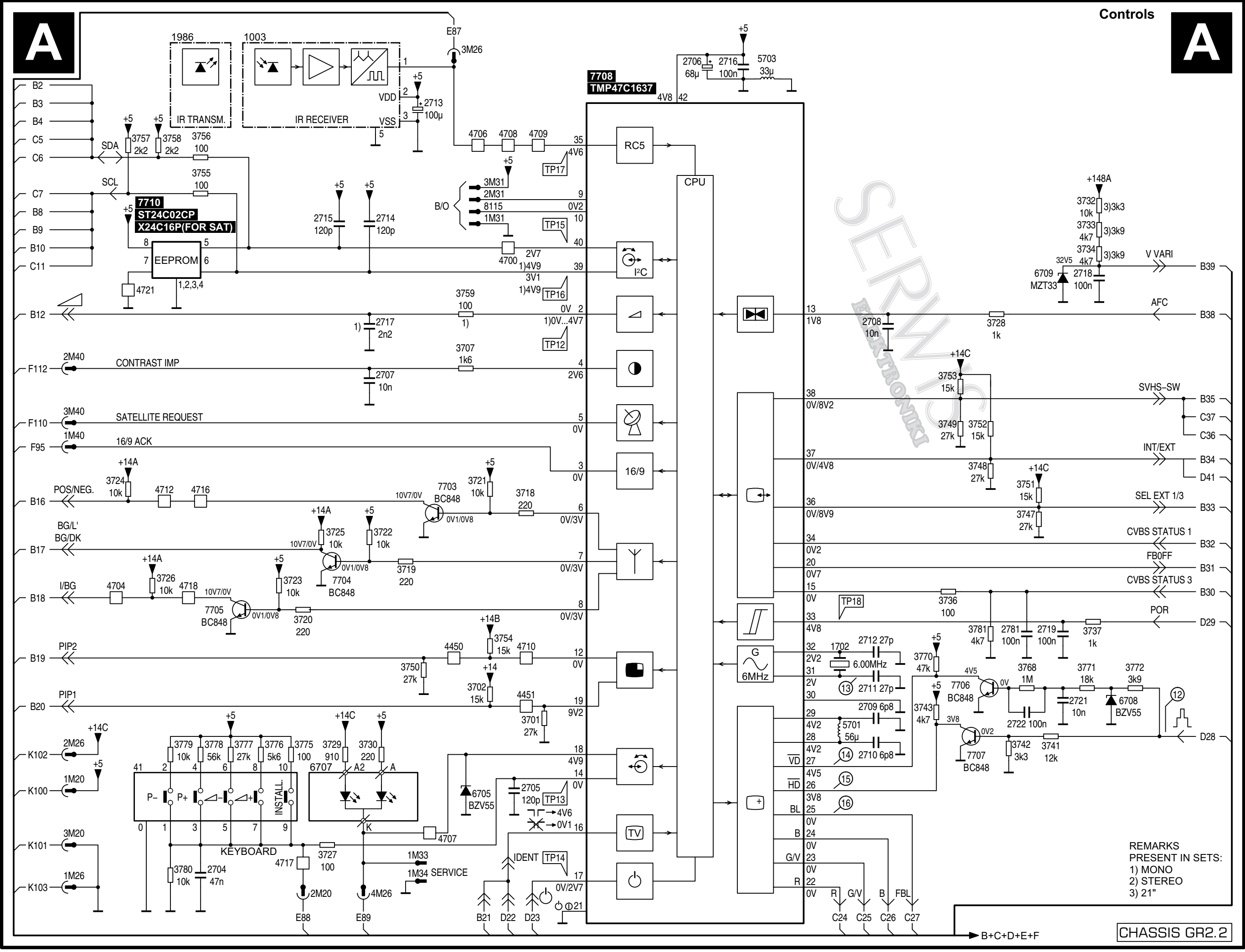
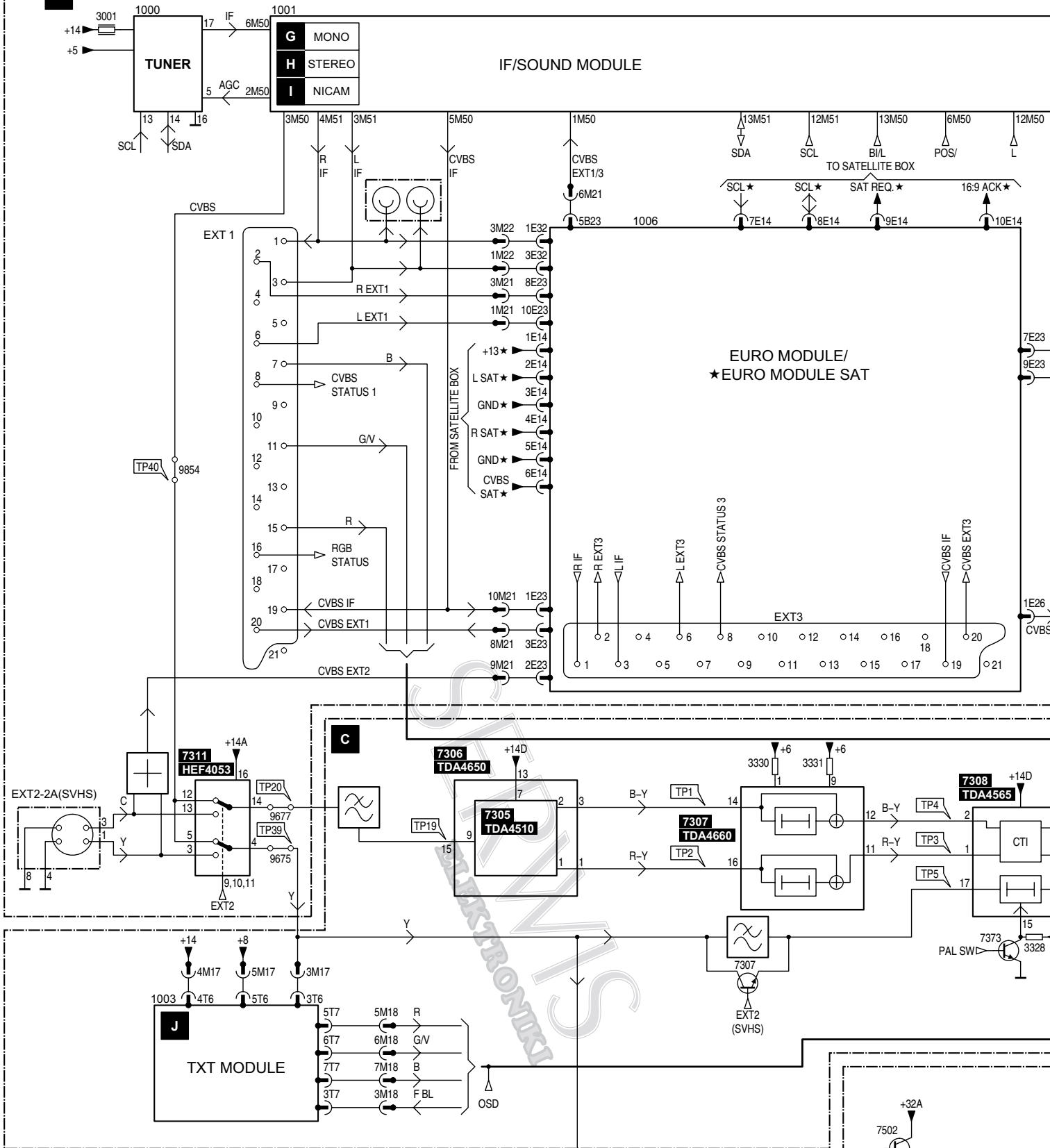


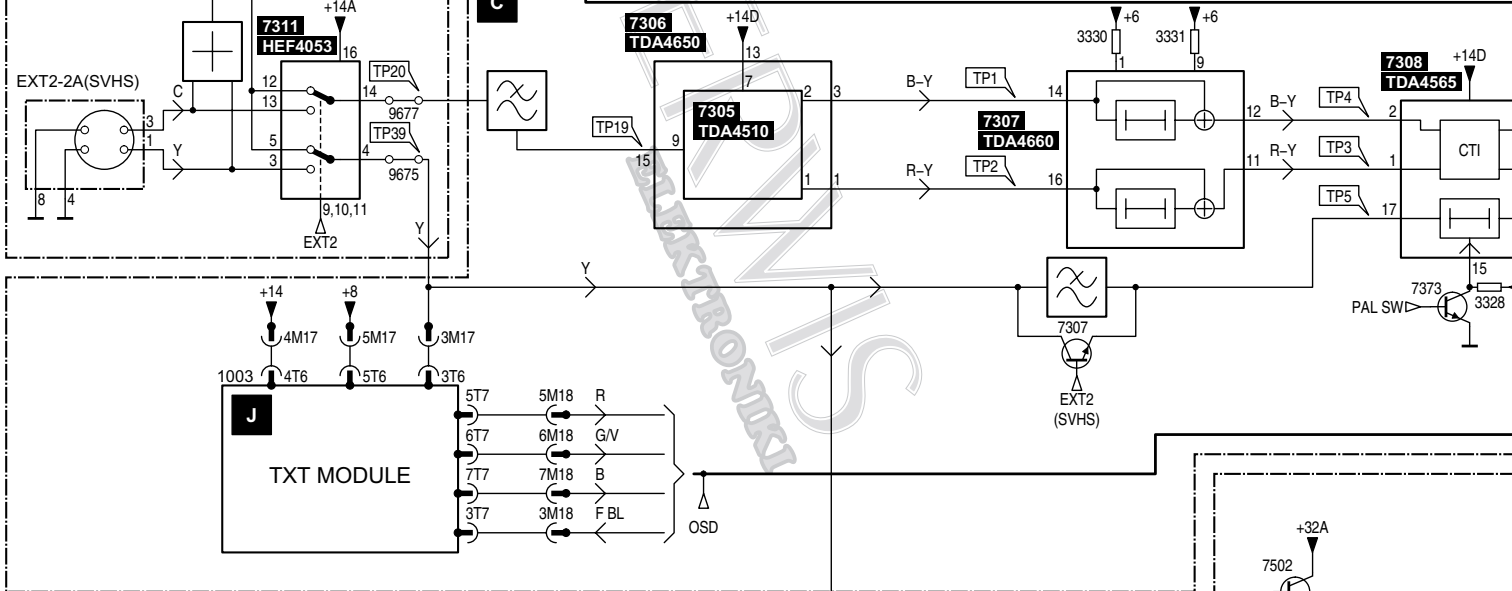
OTVC Philips chassis GR2.2 strana 1/6



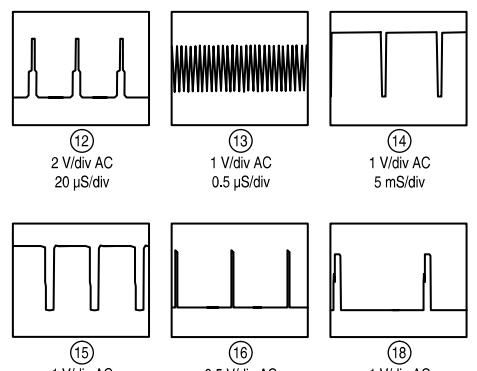
BLOCK DIAGRAM



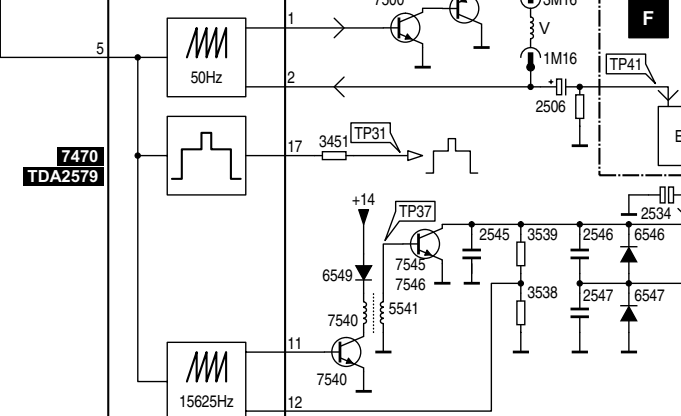
C



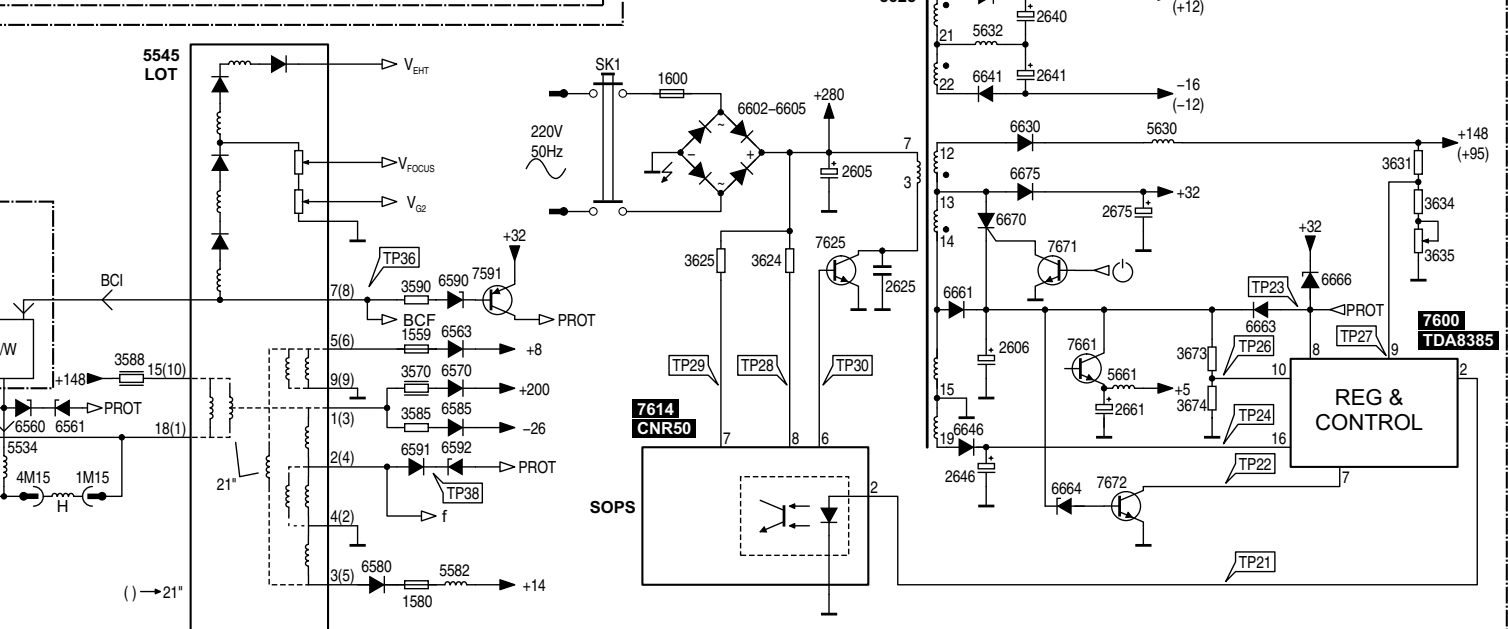
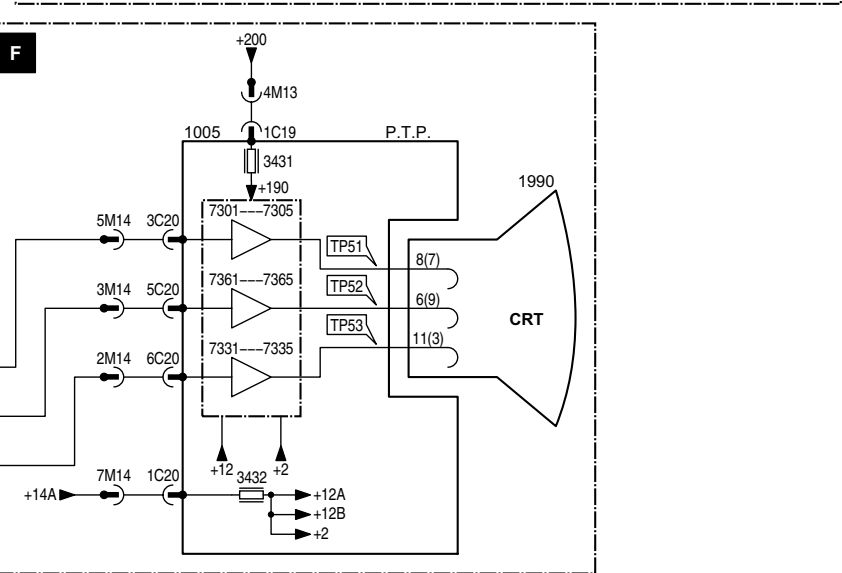
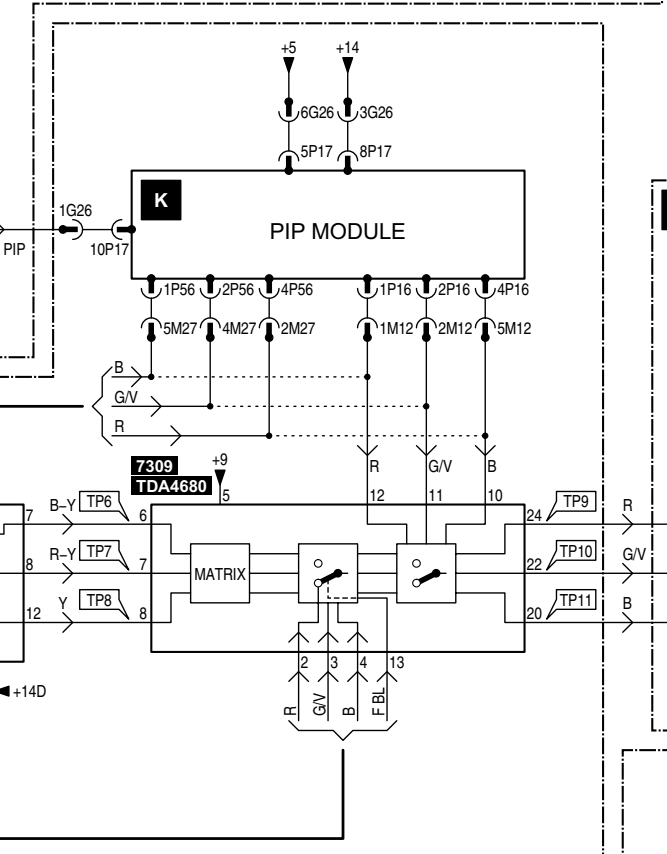
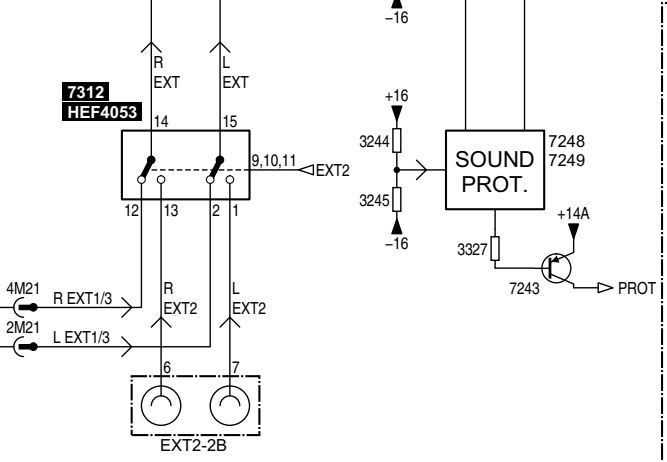
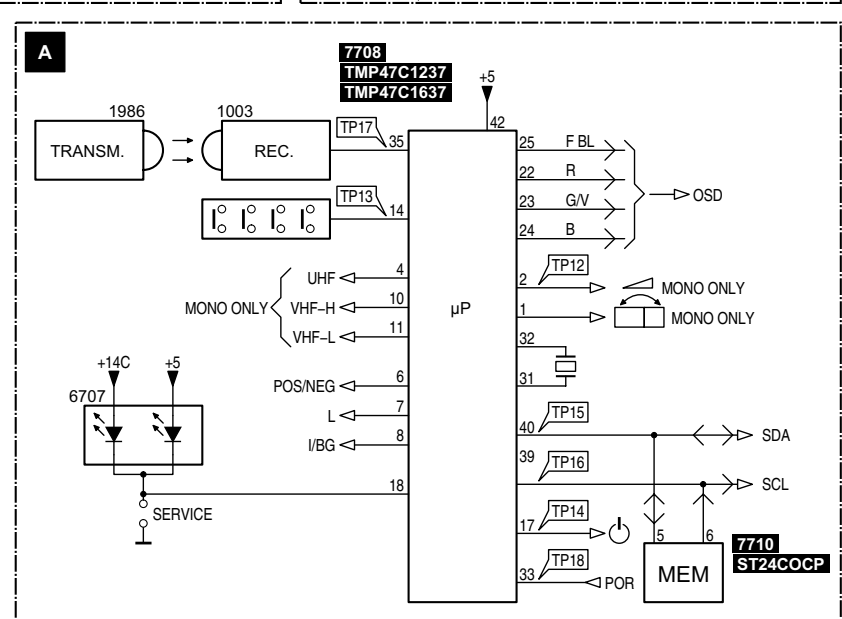
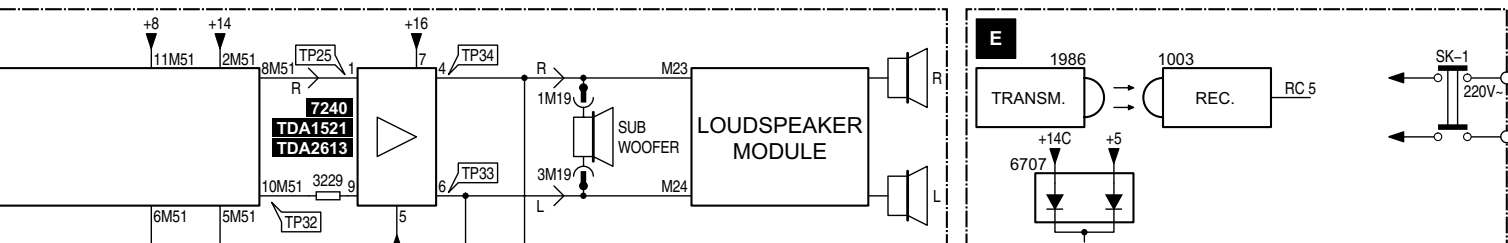
★ ONLY PRESENT FOR EURO MODULE SAT



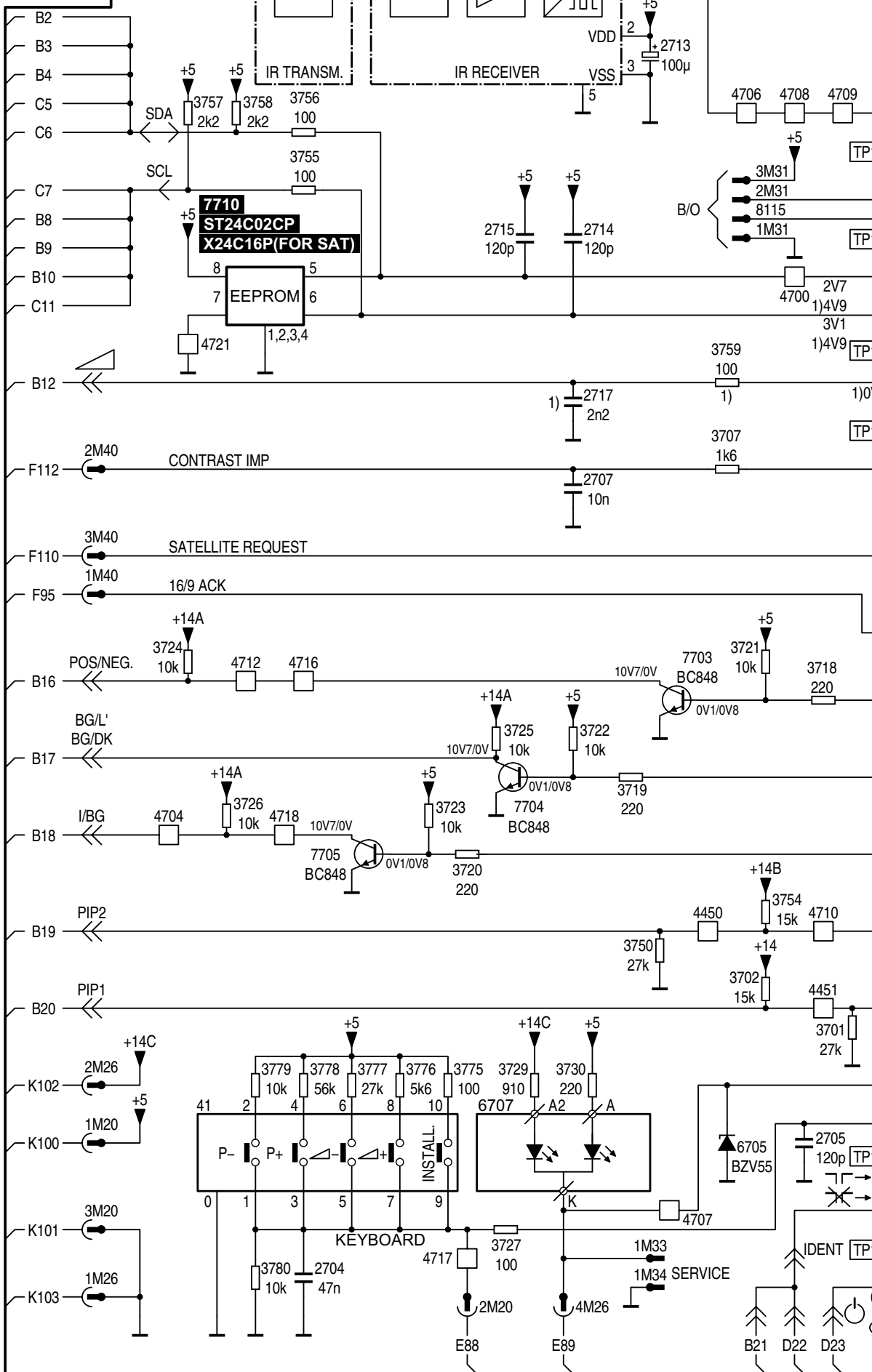
D



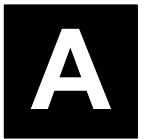
F



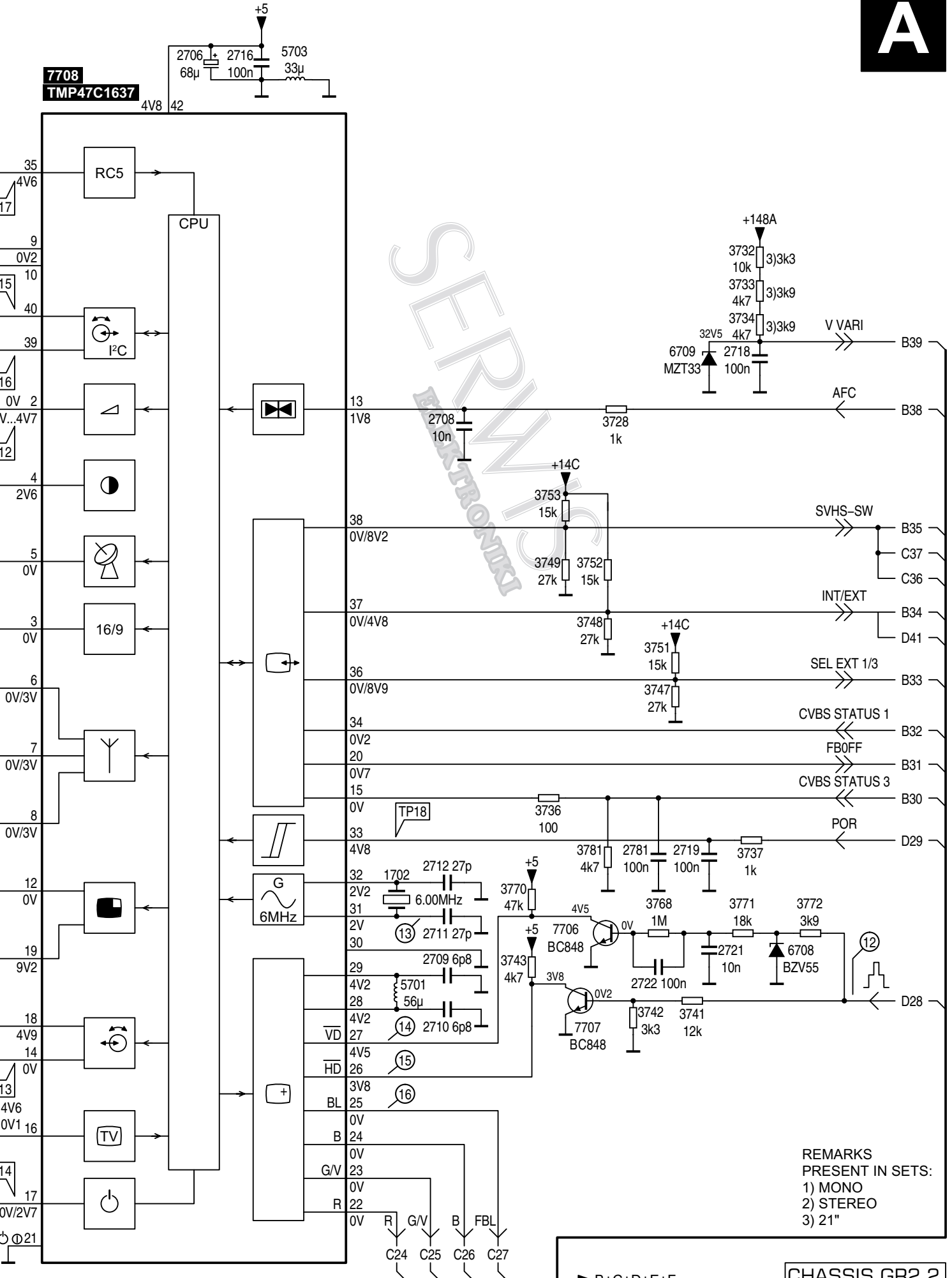
A



OTVC Philips chassis GR2.2 strona 1/6



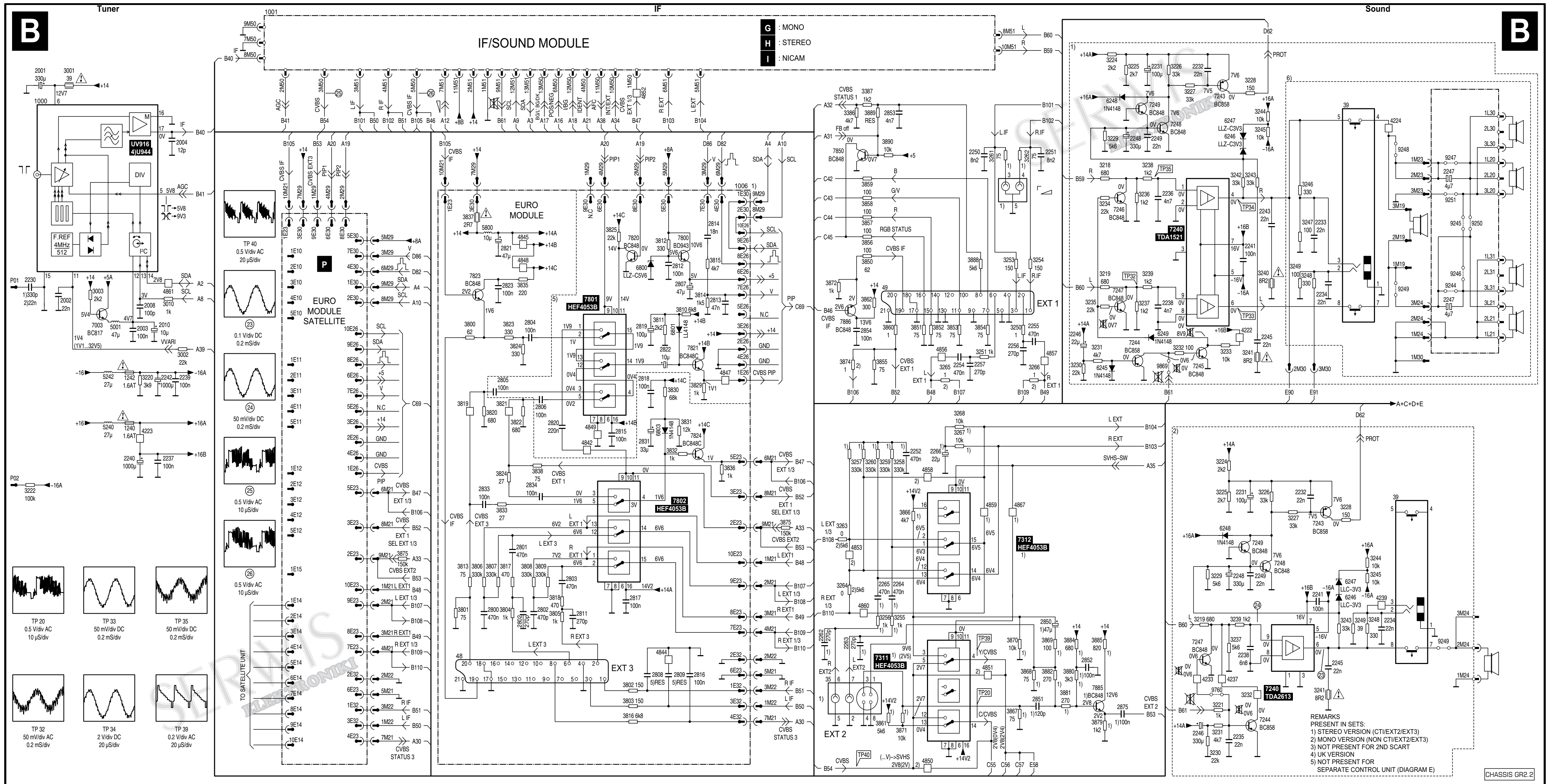
7708
TMP47C1637



REMARKS
PRESENT IN SETS:
1) MONO
2) STEREO
3) 21"

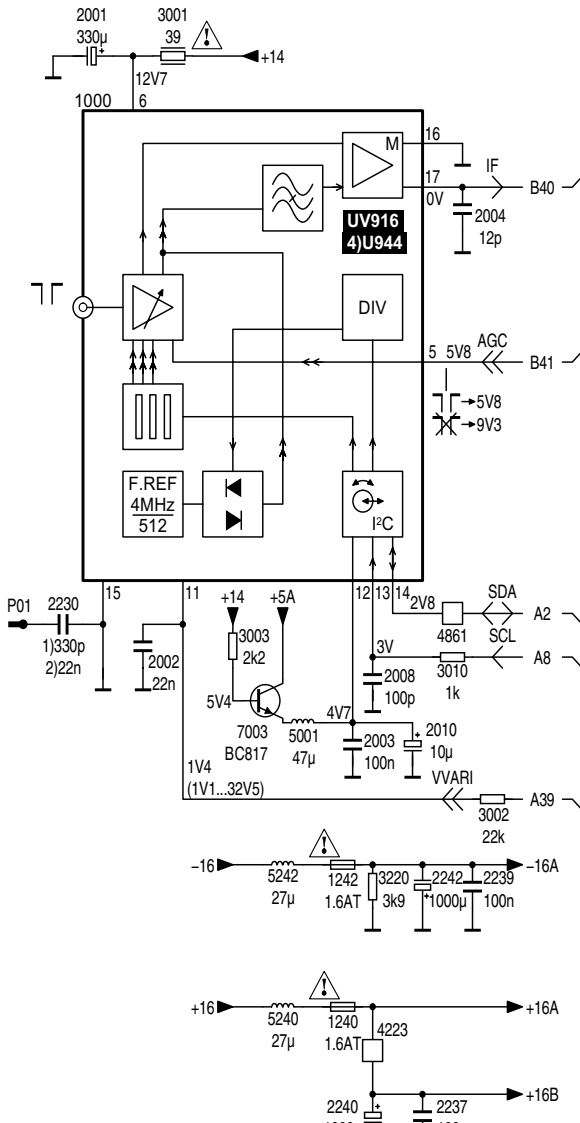
CHASSIS GR2.2

➔ B+C+D+E+F

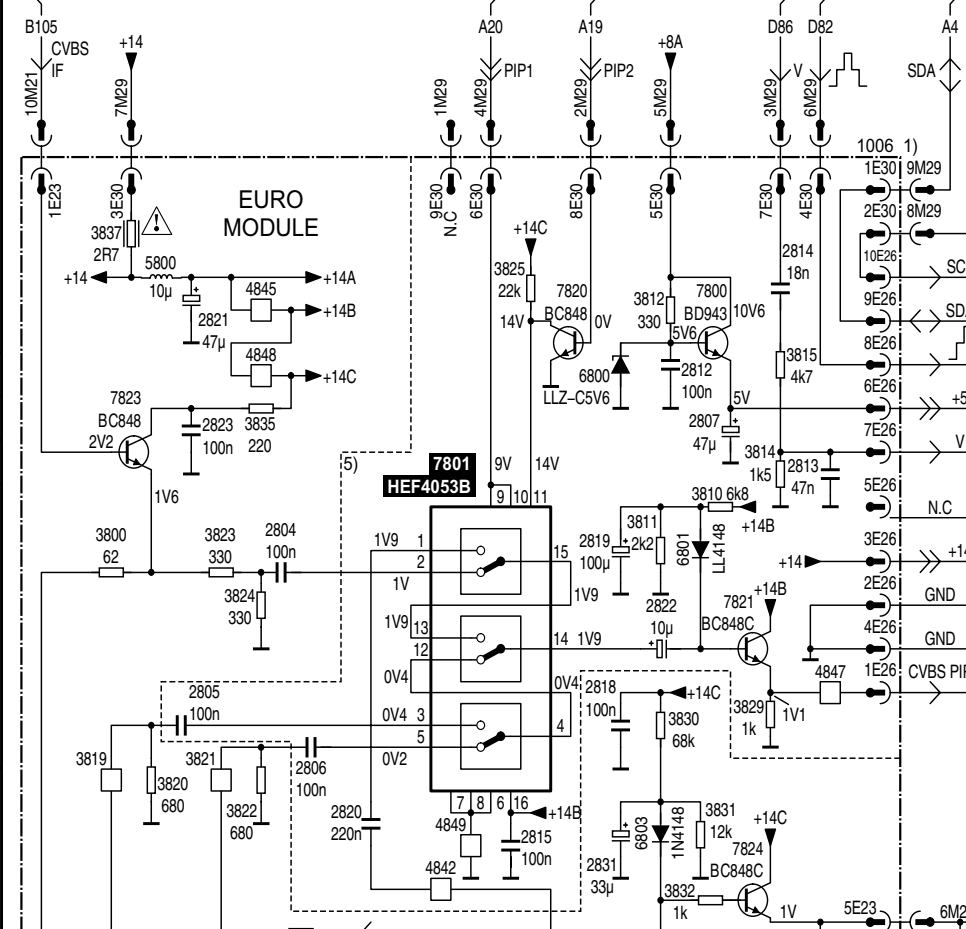
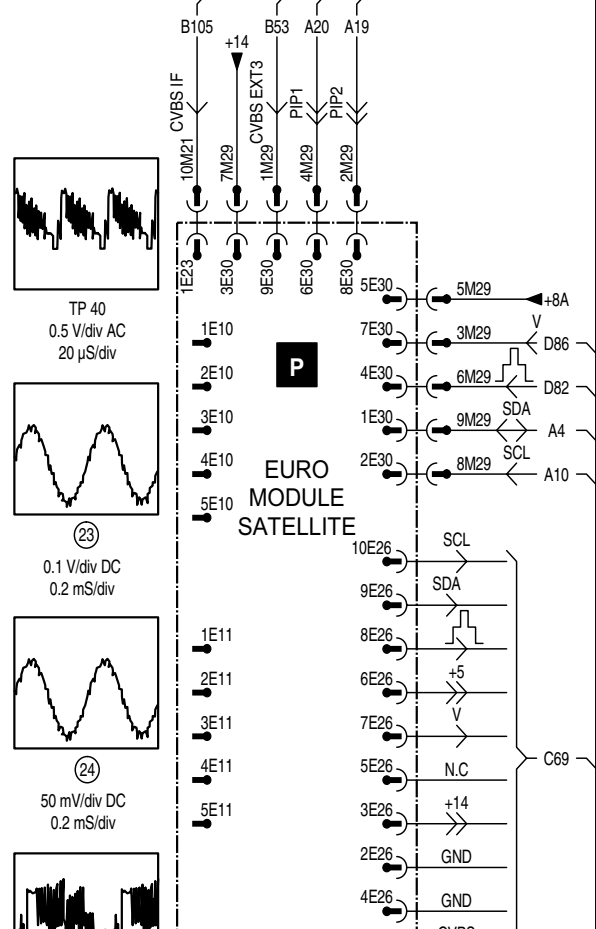
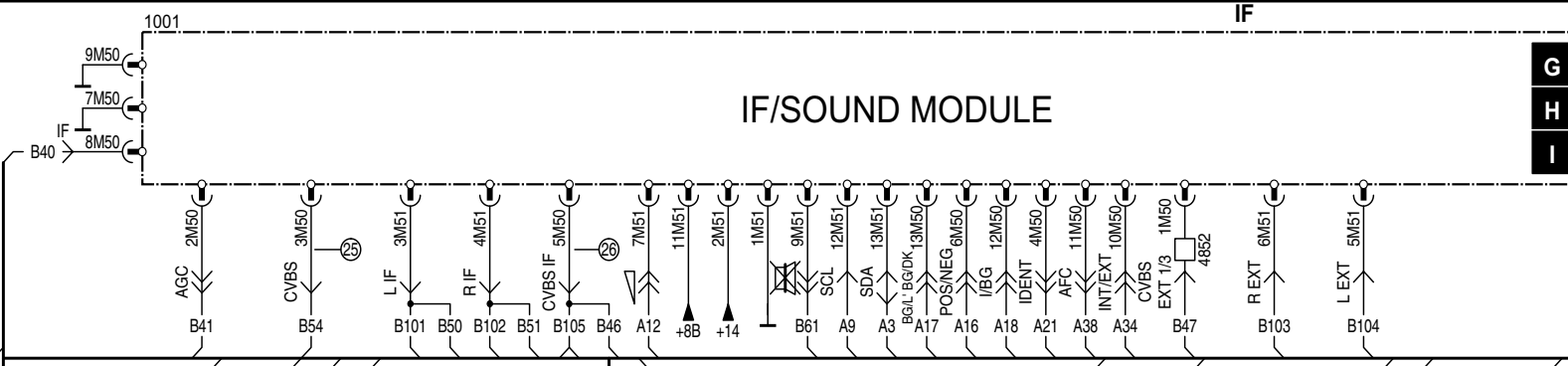


B

Tuner



IF/SOUND MODULE

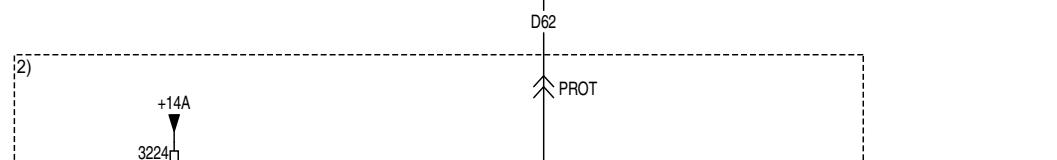
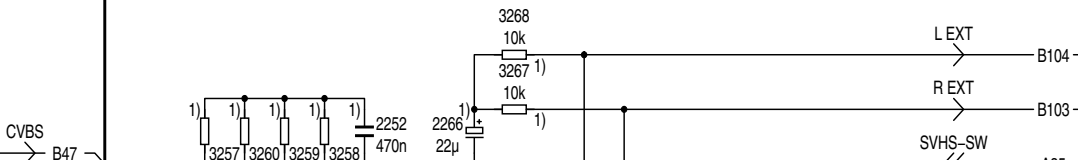
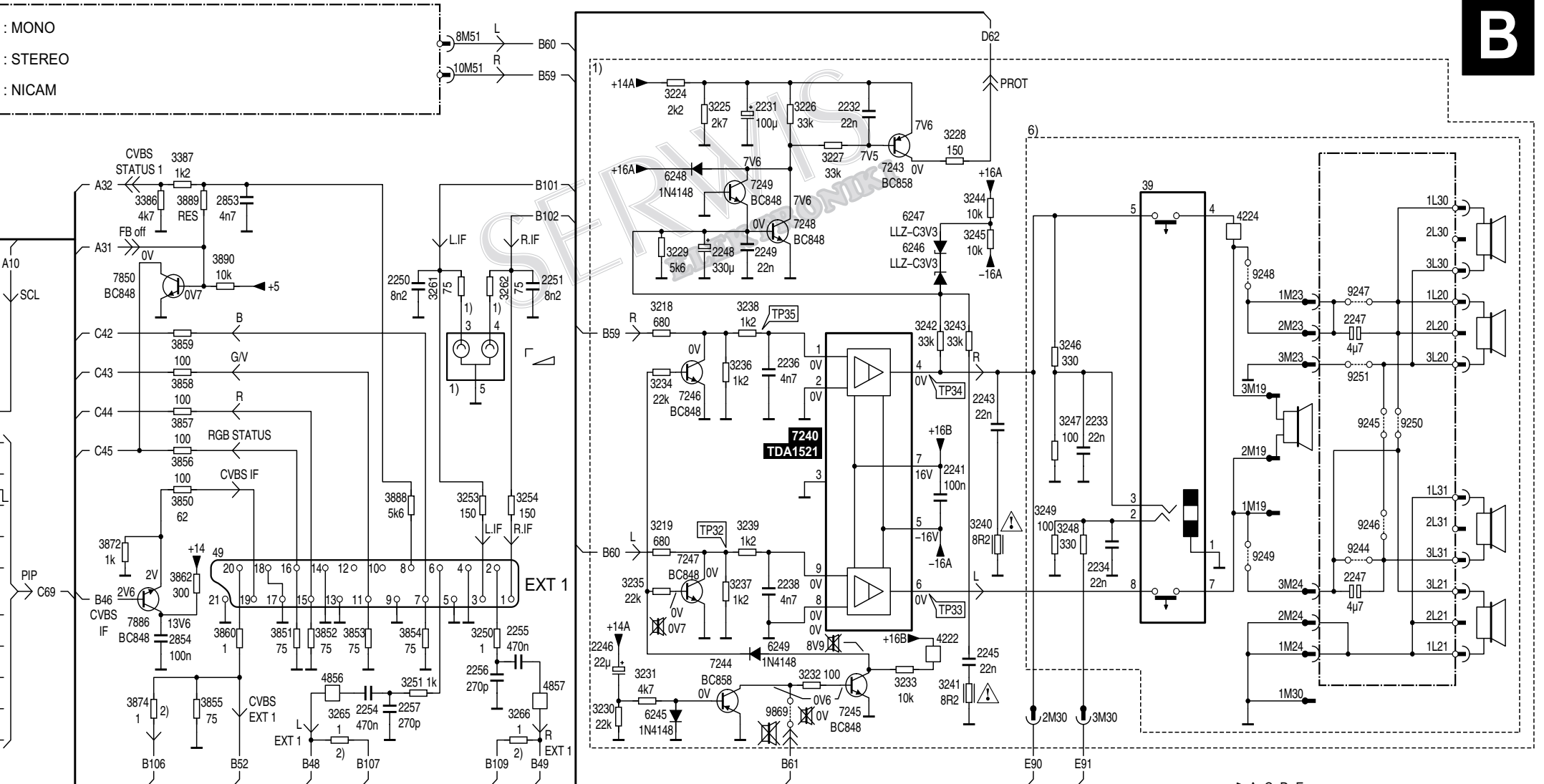


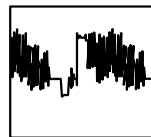
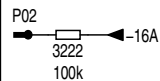
G
H
I

: MONO
: STEREO
: NICAM

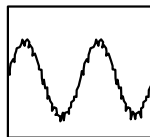
Sound

B

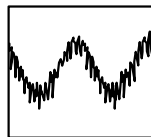




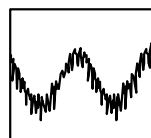
TP 20
0.5 V/div AC
10 μ S/div



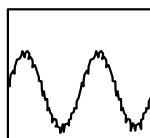
TP 33
50 mV/div DC
0.2 mS/div



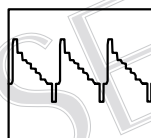
TP 35
50 mV/div DC
0.2 mS/div



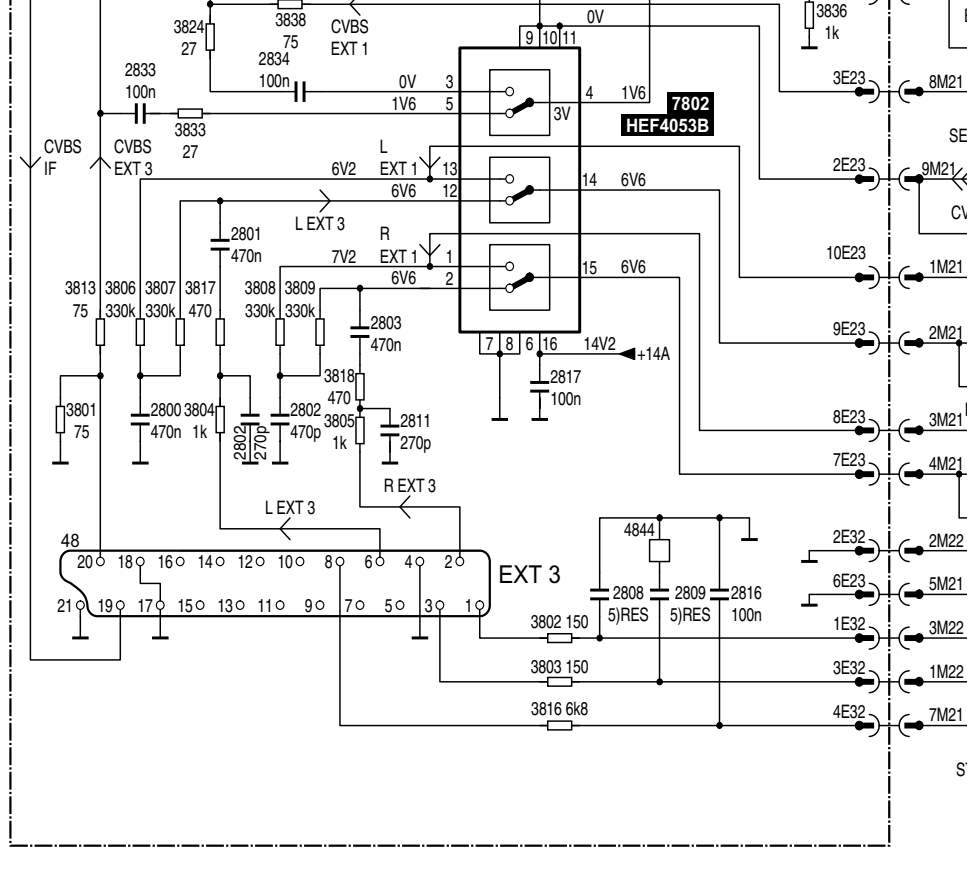
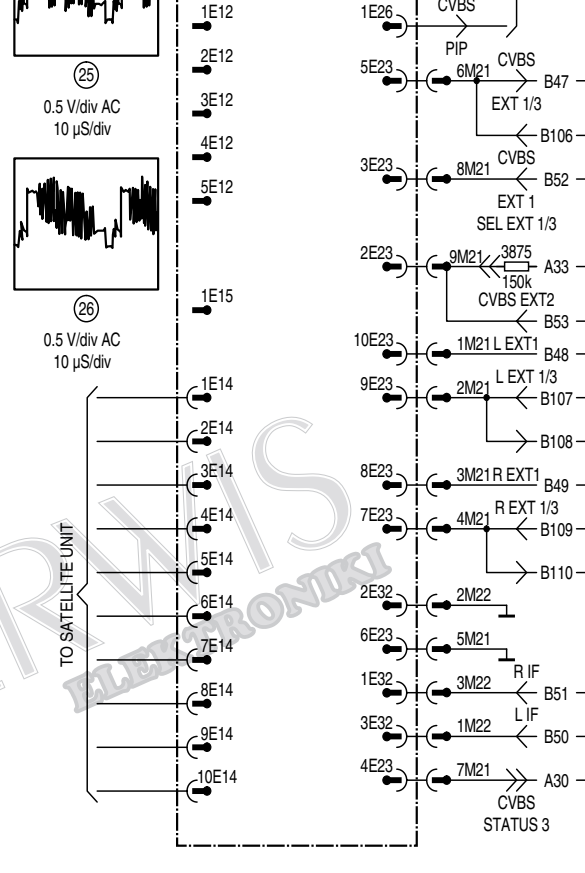
TP 32
50 mV/div AC
0.2 mS/div

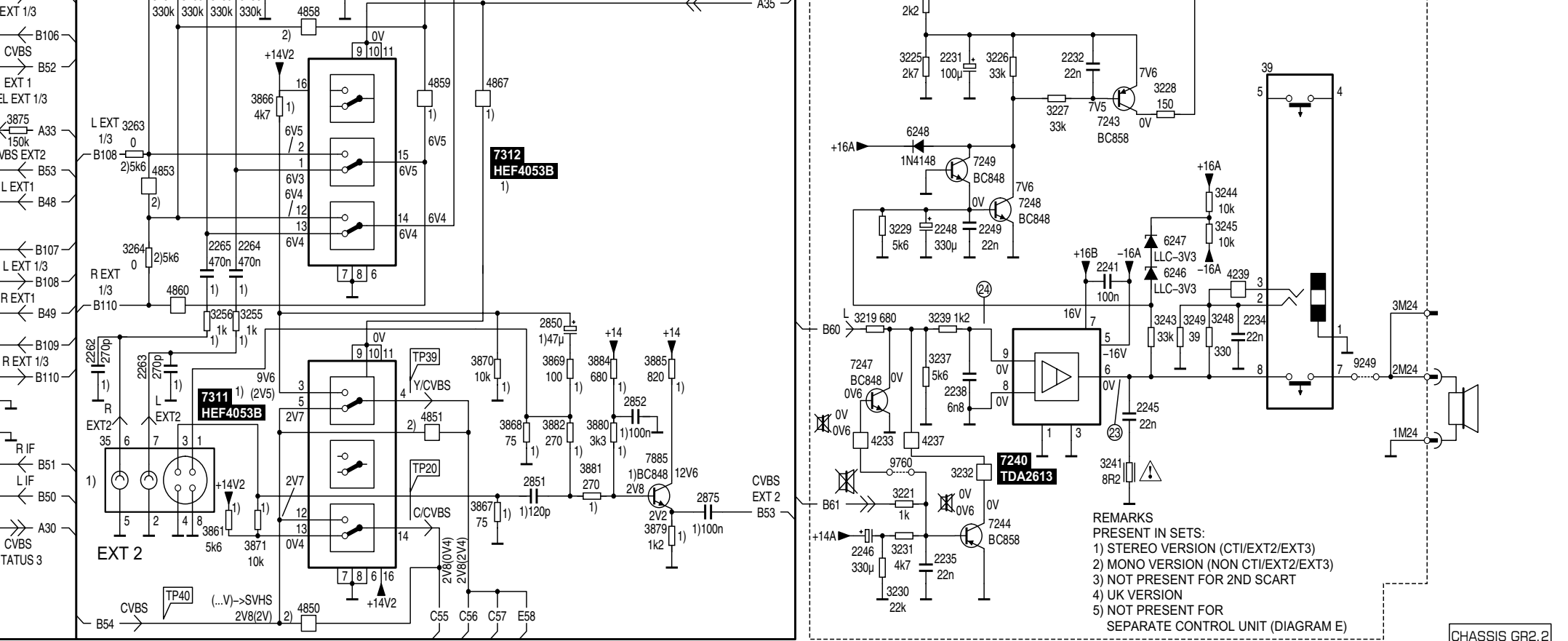


TP 34
2 V/div DC
20 μ S/div

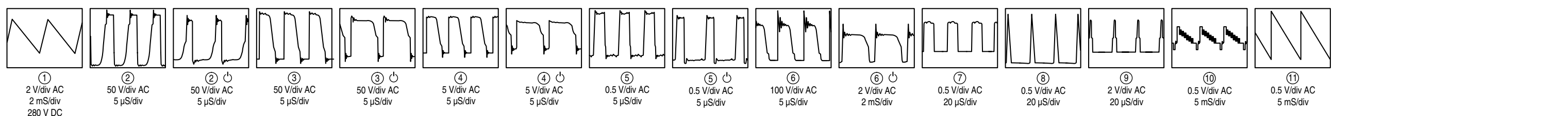
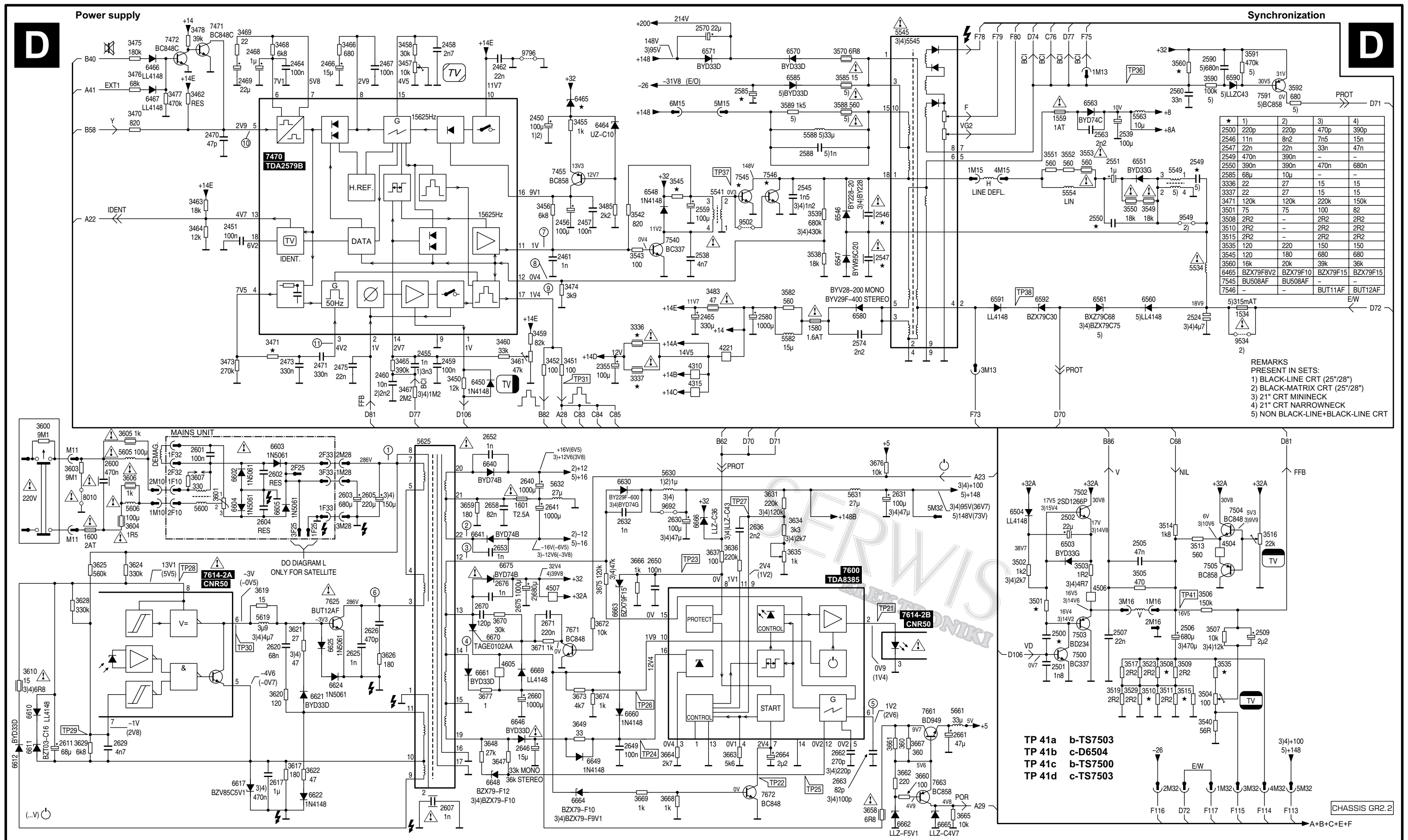
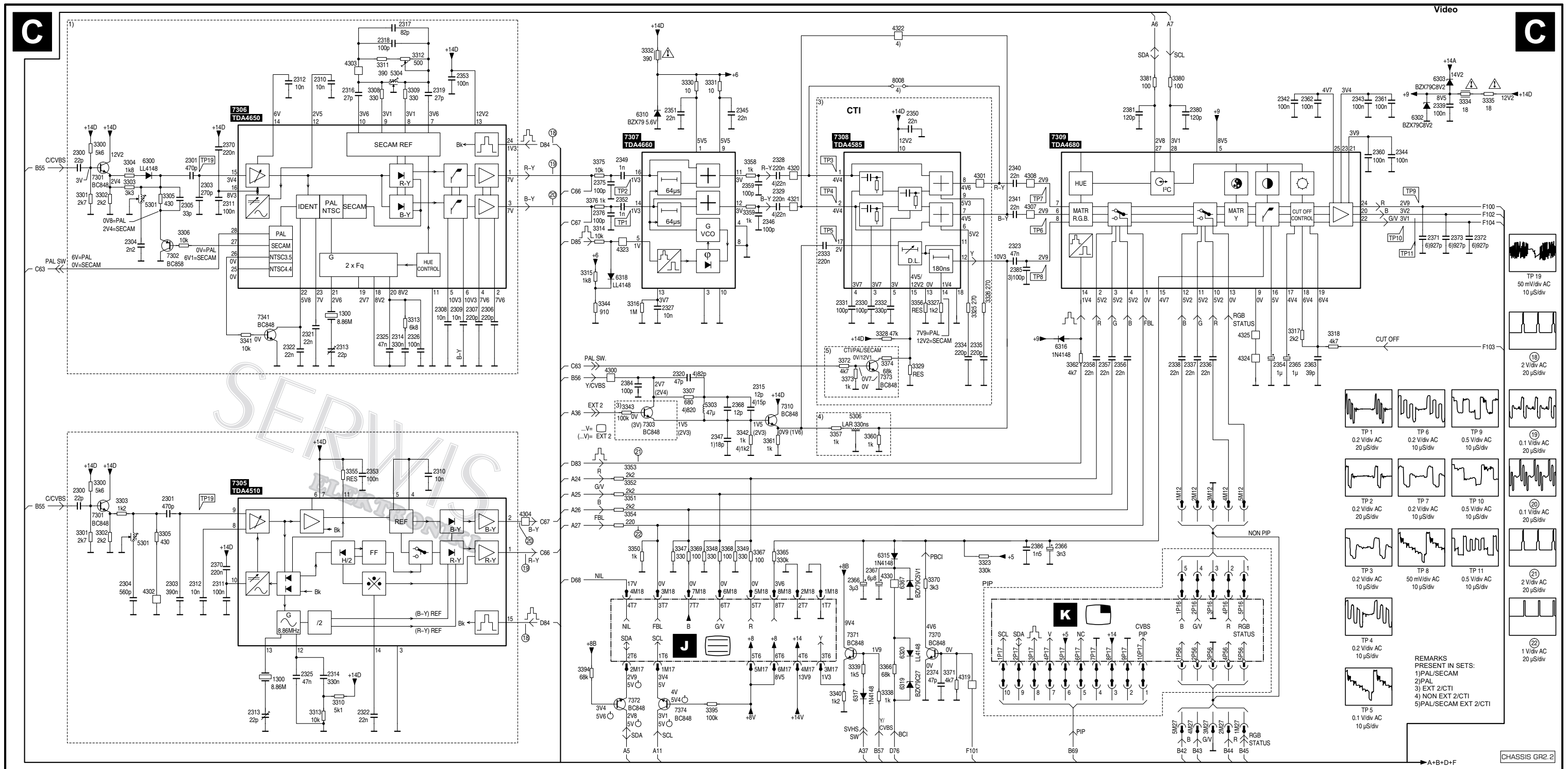


TP 39
0.2 V/div AC
20 μ S/div

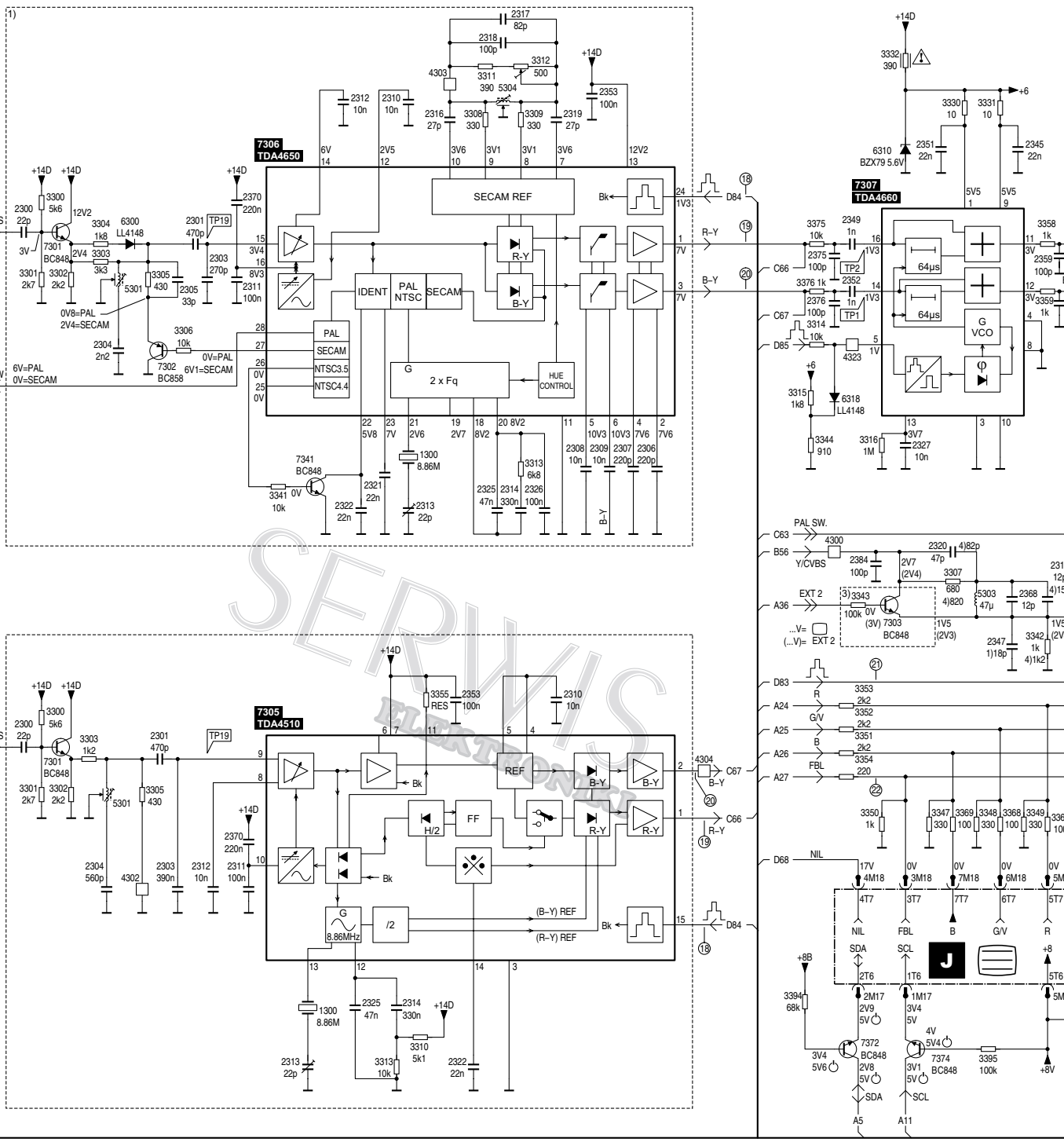




OTVC Philips chassis GR2.2 strona 2/6

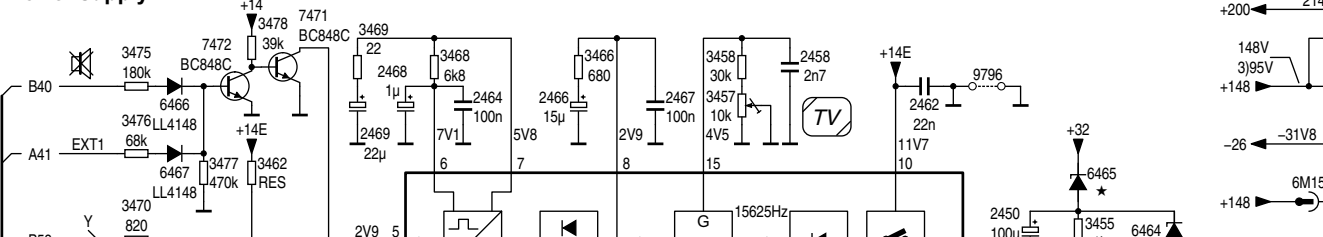


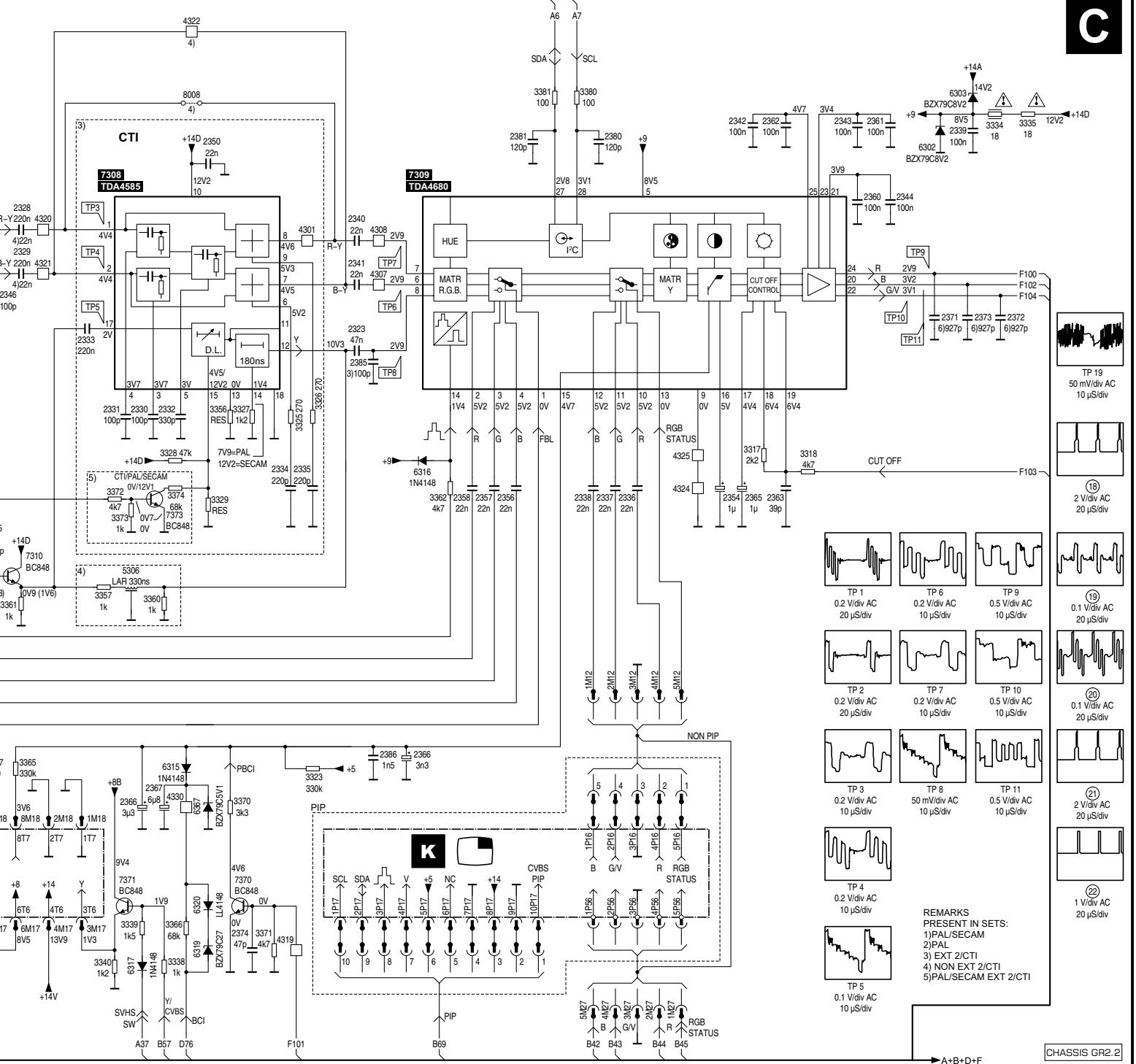
C



D

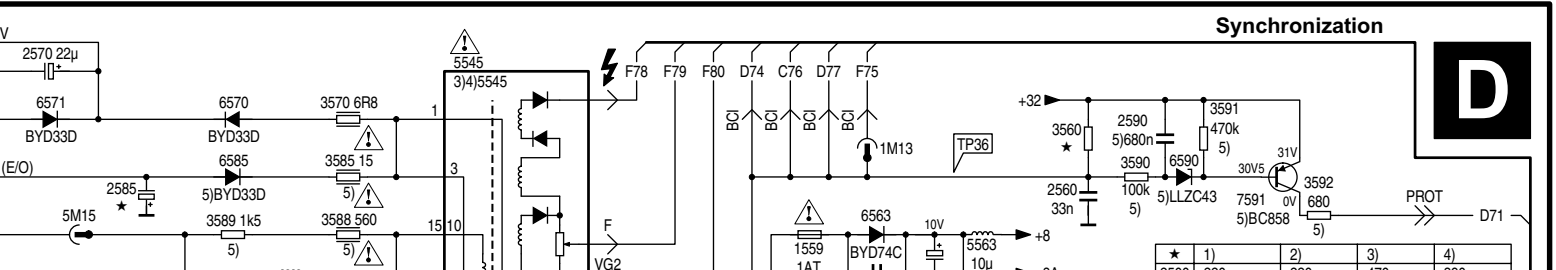
Power supply

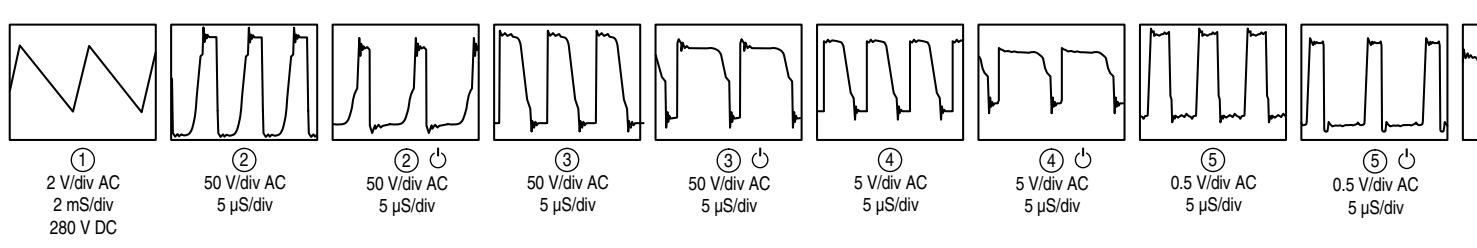
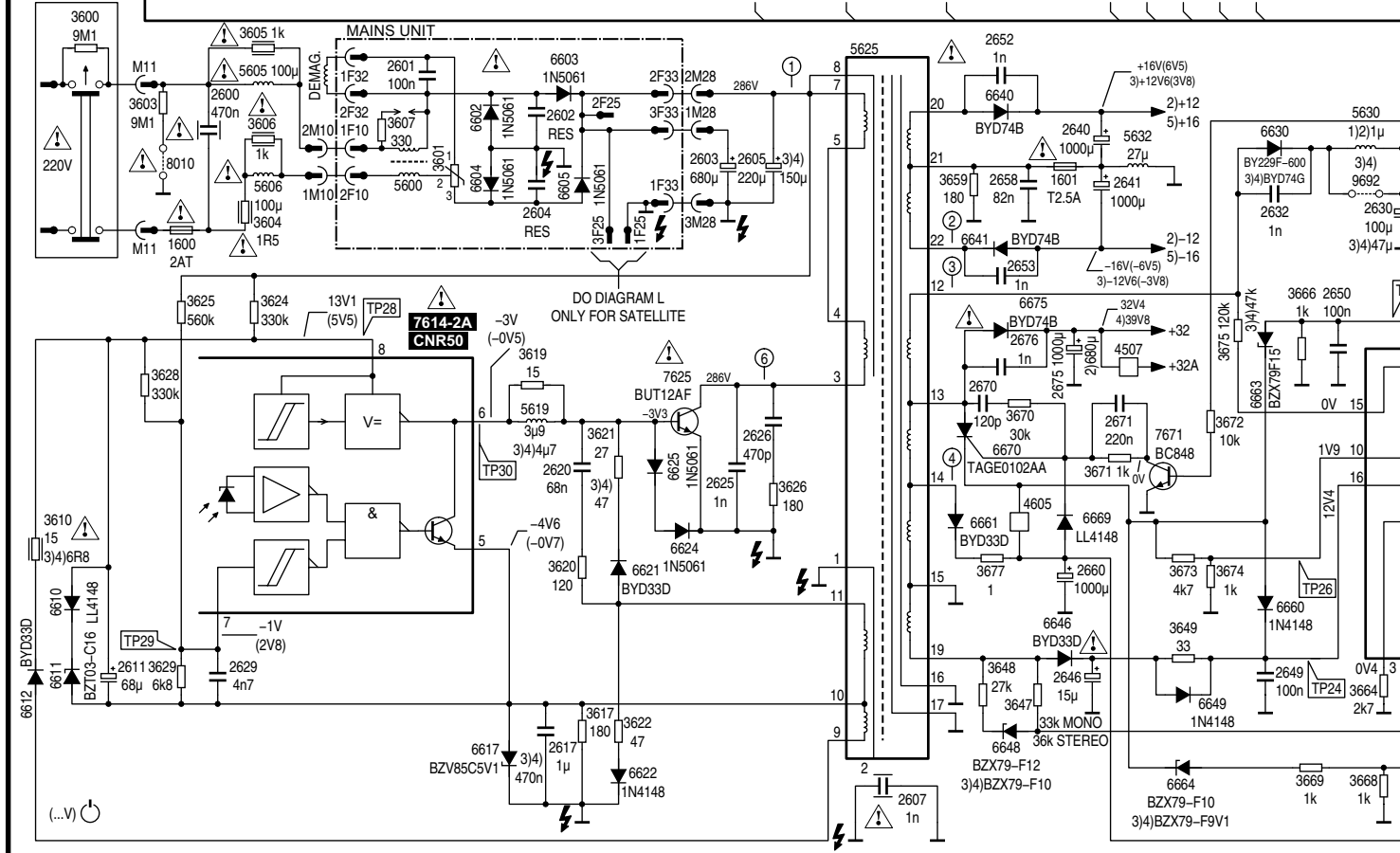
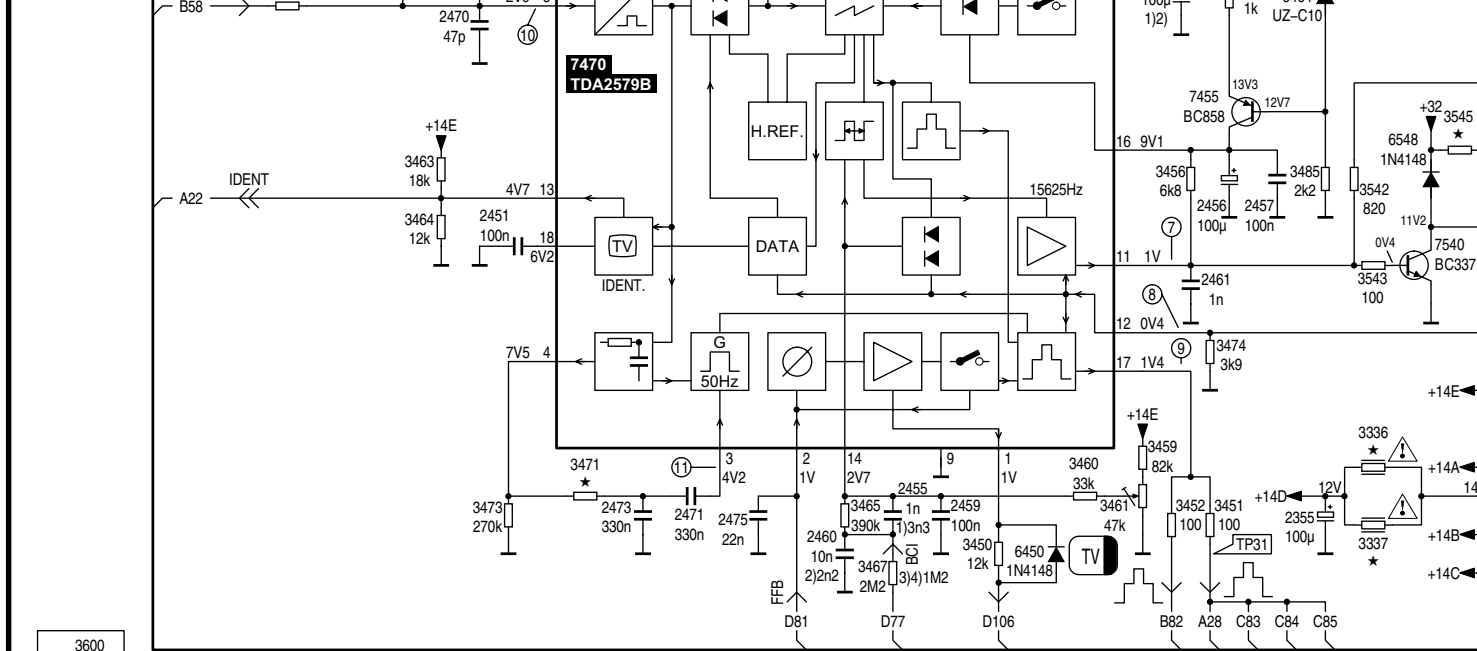


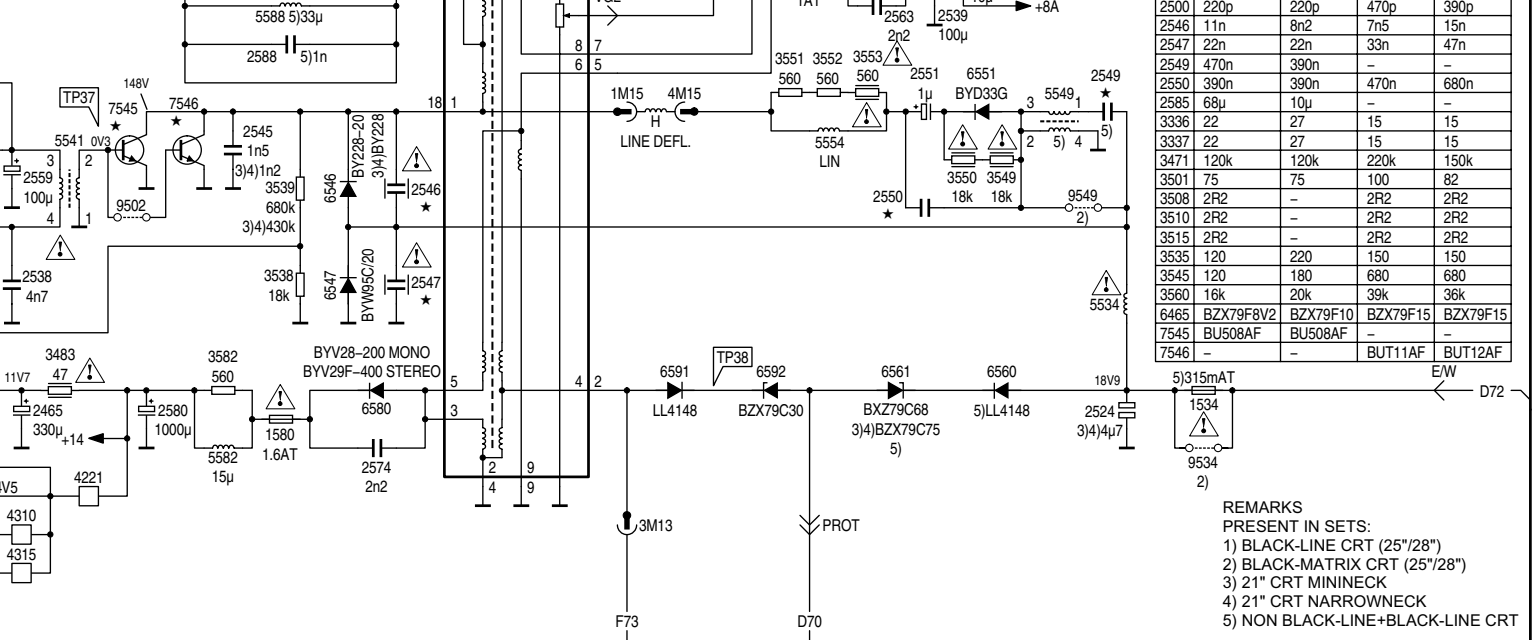


REMARKS
PRESENTS IN SETS:
1) PAL/SECAM
2) PAL
3) EXT 2/CTI
4) NON EXT 2/CTI
5) PAL/SECAM EXT 2/CTI

CHASSIS GR2.2

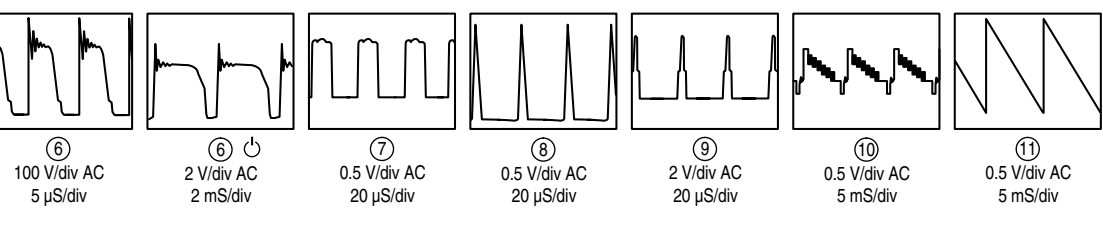
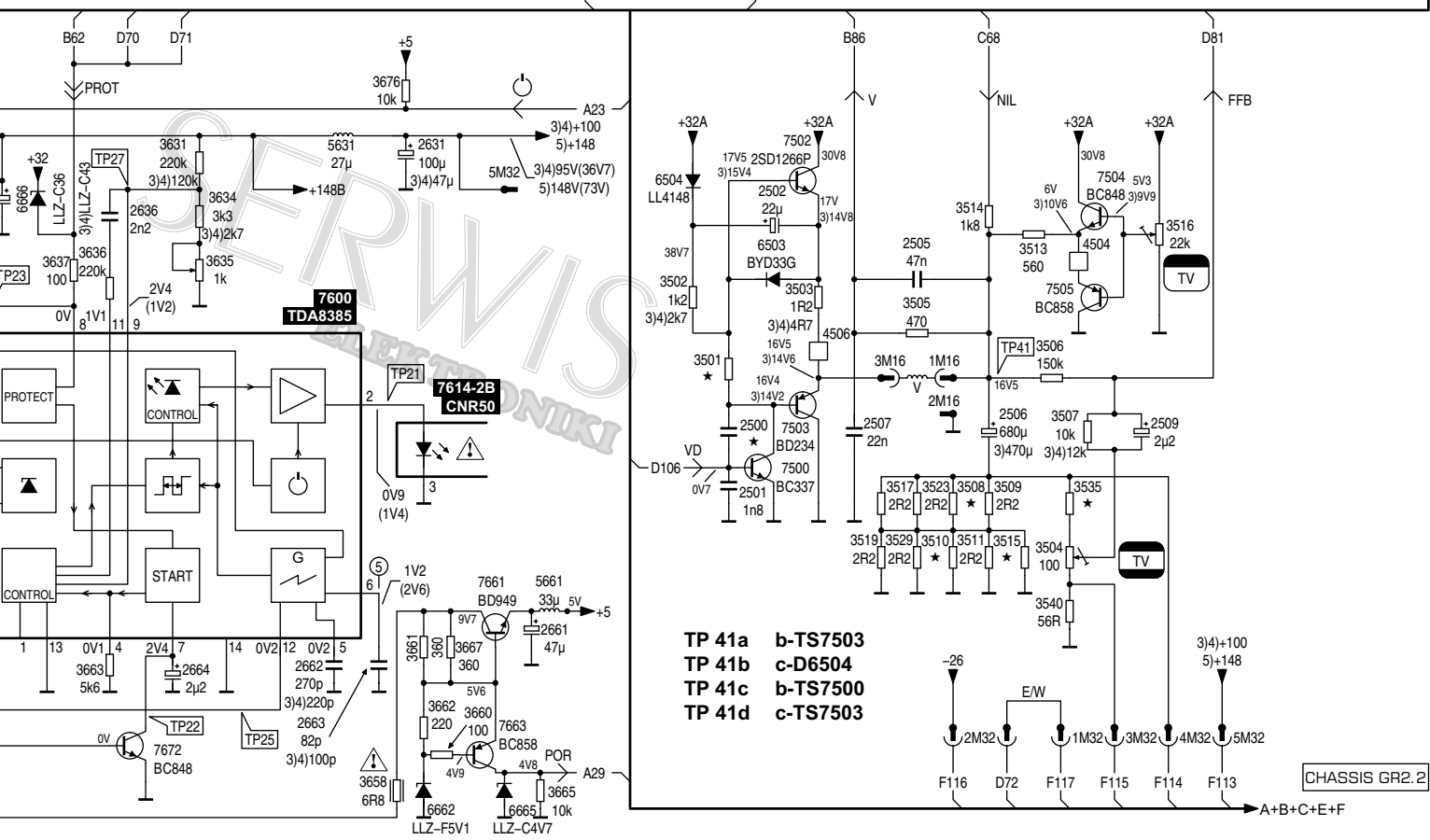


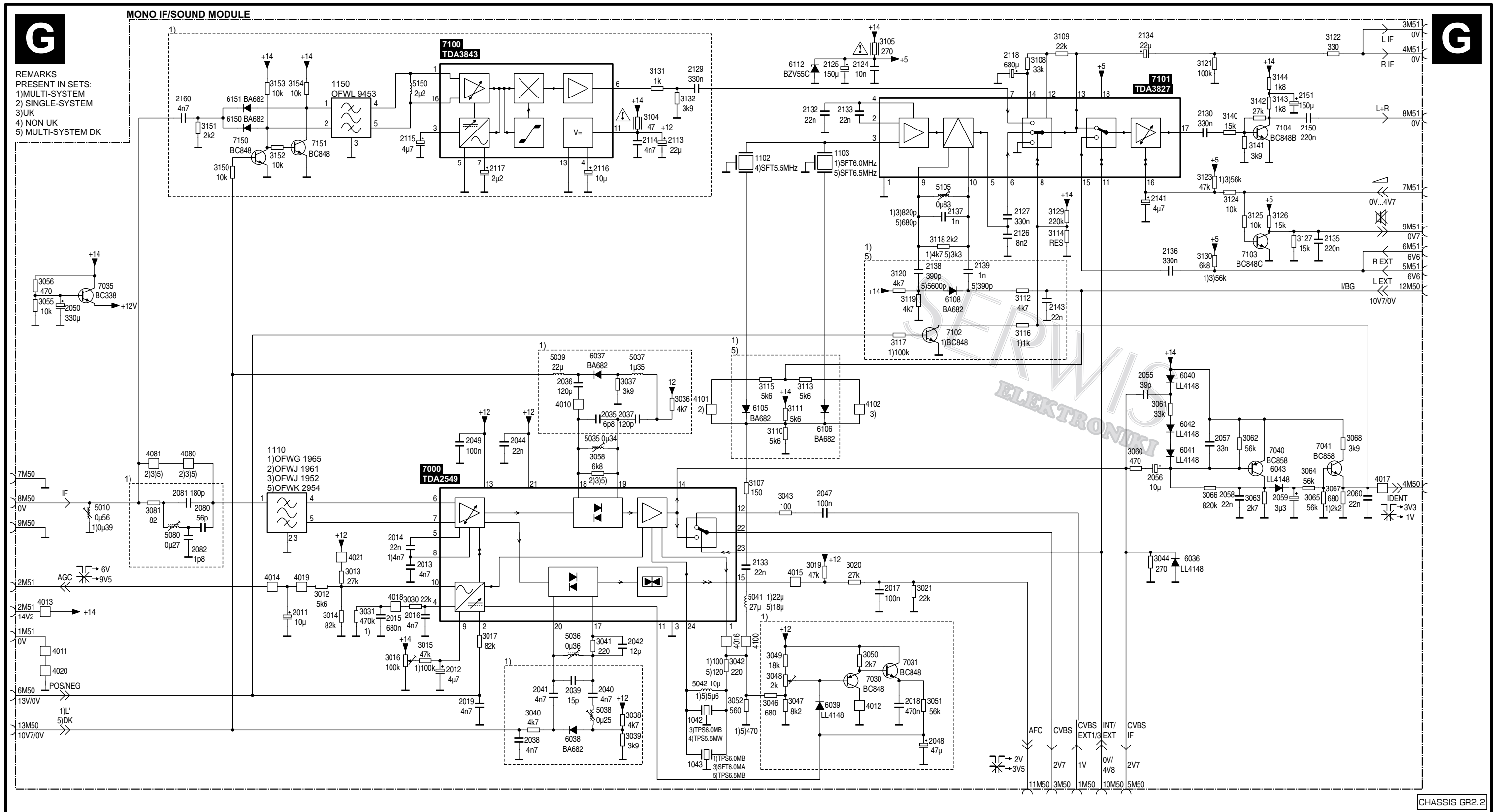
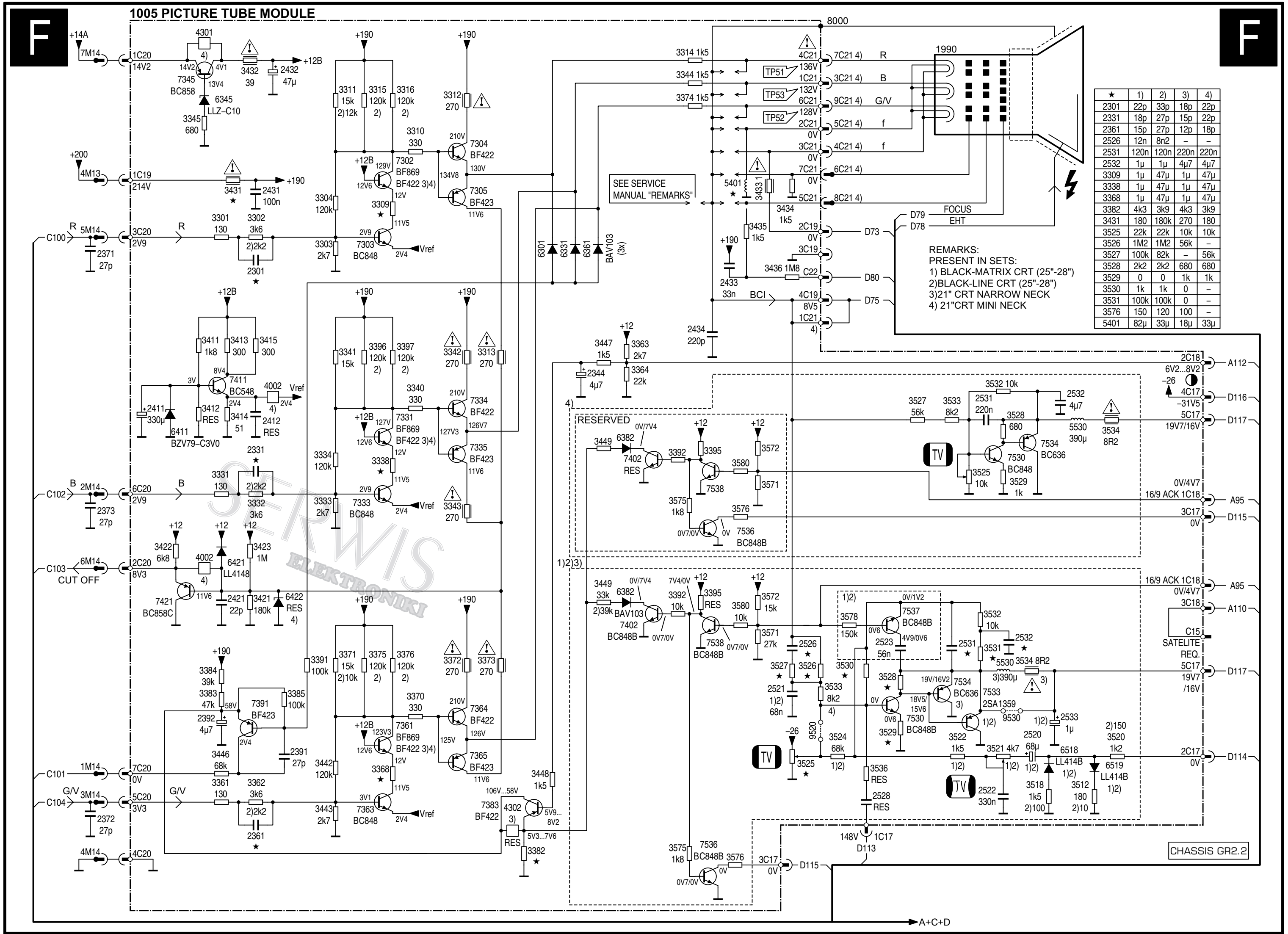




2500	220p	220p	470p	390p
2546	11n	8n2	7n5	15n
2547	22n	22n	33n	47n
2549	470n	390n	-	-
2550	390n	390n	470n	680n
2585	68μ	10μ	-	-
3336	22	27	15	15
3337	22	27	15	15
3471	120k	120k	220k	150k
3501	75	75	100	82
3508	2R2	-	2R2	2R2
3510	2R2	-	2R2	2R2
3515	2R2	-	2R2	2R2
3535	120	220	150	150
3545	120	180	680	680
3560	16k	20k	39k	36k
6465	BZX79F8V2	BZX79F10	BZX79F15	BZX79F15
7545	BU508AF	BU508AF	-	-
7546	-	-	BUT11AF	BUT12AF

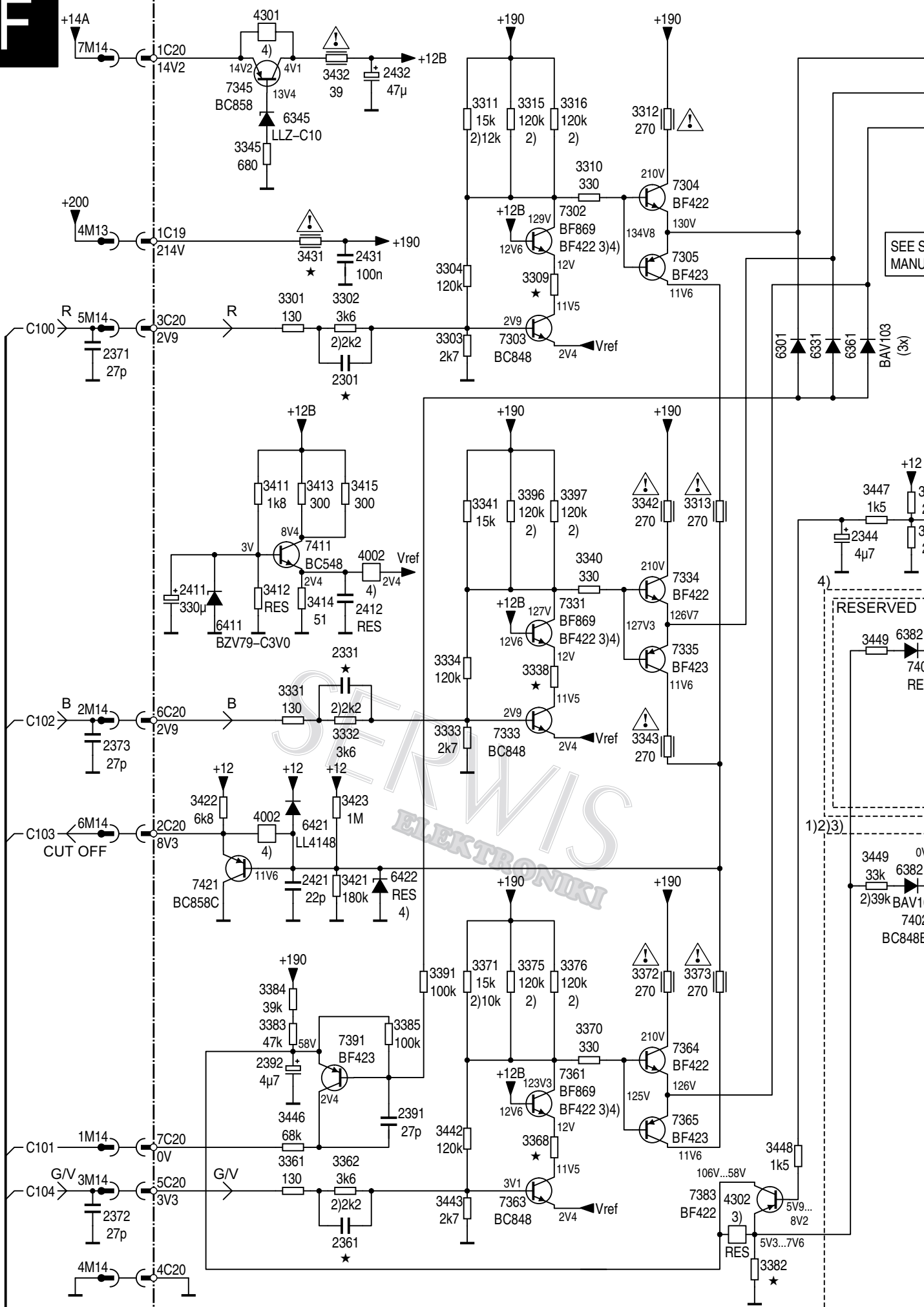
REMARKS
PRESENT IN SETS:
1) BLACK-LINE CRT (25"/28")
2) BLACK-MATRIX CRT (25"/28")
3) 21" CRT MININECK
4) 21" CRT NARROWNECK
5) NON BLACK-LINE+BLACK-LINE CRT

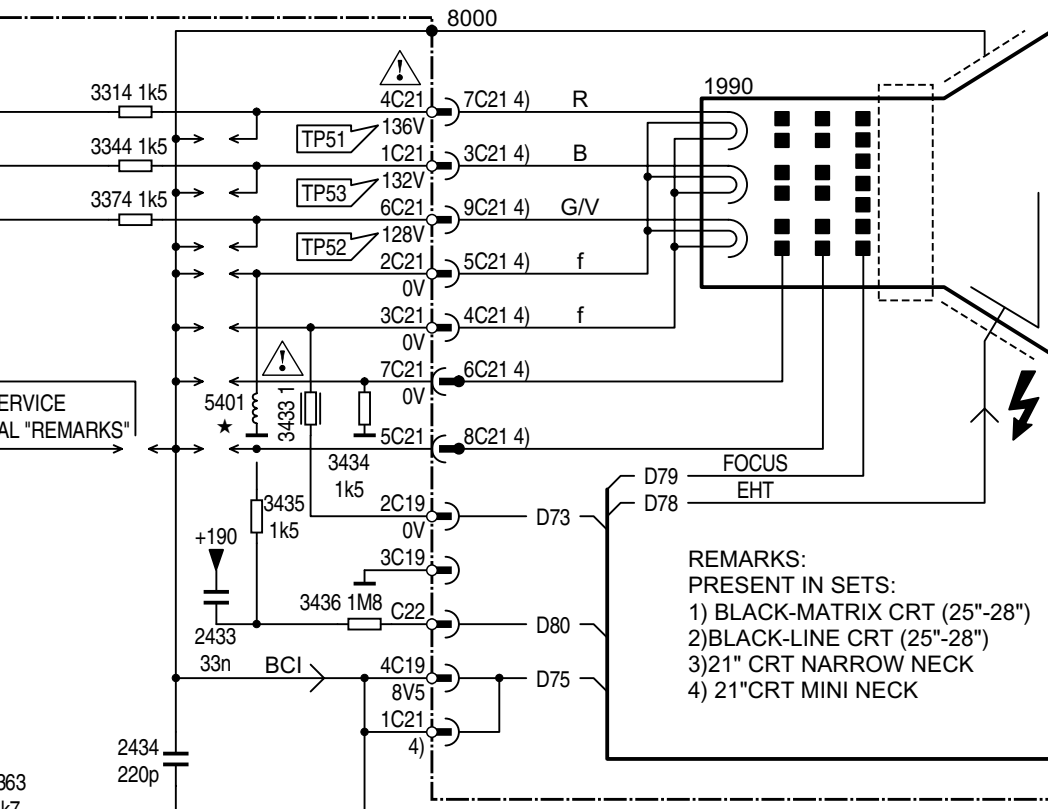




F

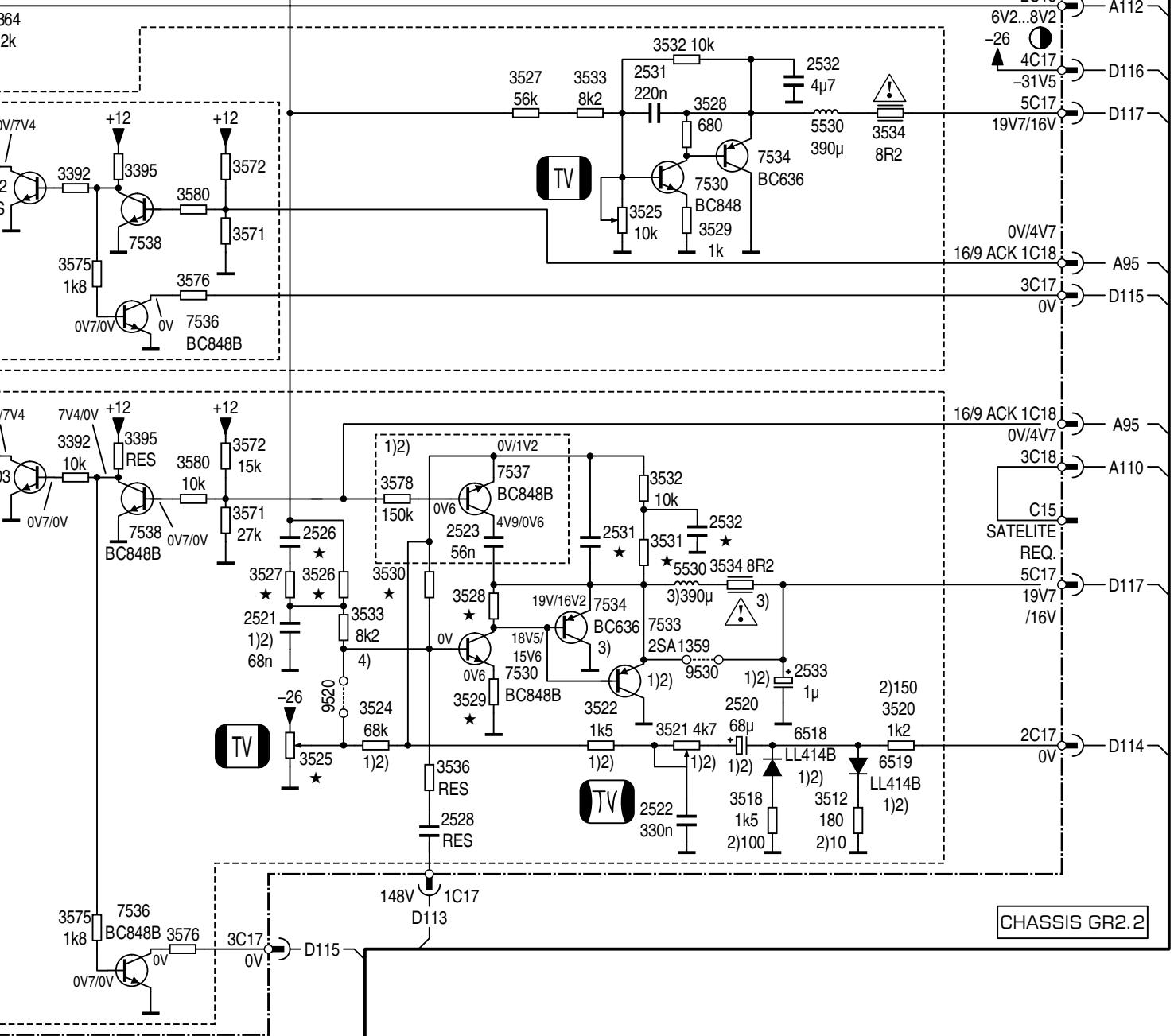
1005 PICTURE TUBE MODULE





★	1)	2)	3)	4)
2301	22p	33p	18p	22p
2331	18p	27p	15p	22p
2361	15p	27p	12p	18p
2526	12n	8n2	-	-
2531	120n	120n	220n	220n
2532	1μ	1μ	4μ7	4μ7
3309	1μ	47μ	1μ	47μ
3338	1μ	47μ	1μ	47μ
3368	1μ	47μ	1μ	47μ
3382	4k3	3k9	4k3	3k9
3431	180	180k	270	180
3525	22k	22k	10k	10k
3526	1M2	1M2	56k	-
3527	100k	82k	-	56k
3528	2k2	2k2	680	680
3529	0	0	1k	1k
3530	1k	1k	0	-
3531	100k	100k	0	-
3576	150	120	100	-
5401	82μ	33μ	18μ	33μ

REMARKS:
 PRESENT IN SETS:
 1) BLACK-MATRIX CRT (25"-28")
 2) BLACK-LINE CRT (25"-28")
 3) 21" CRT NARROW NECK
 4) 21" CRT MINI NECK

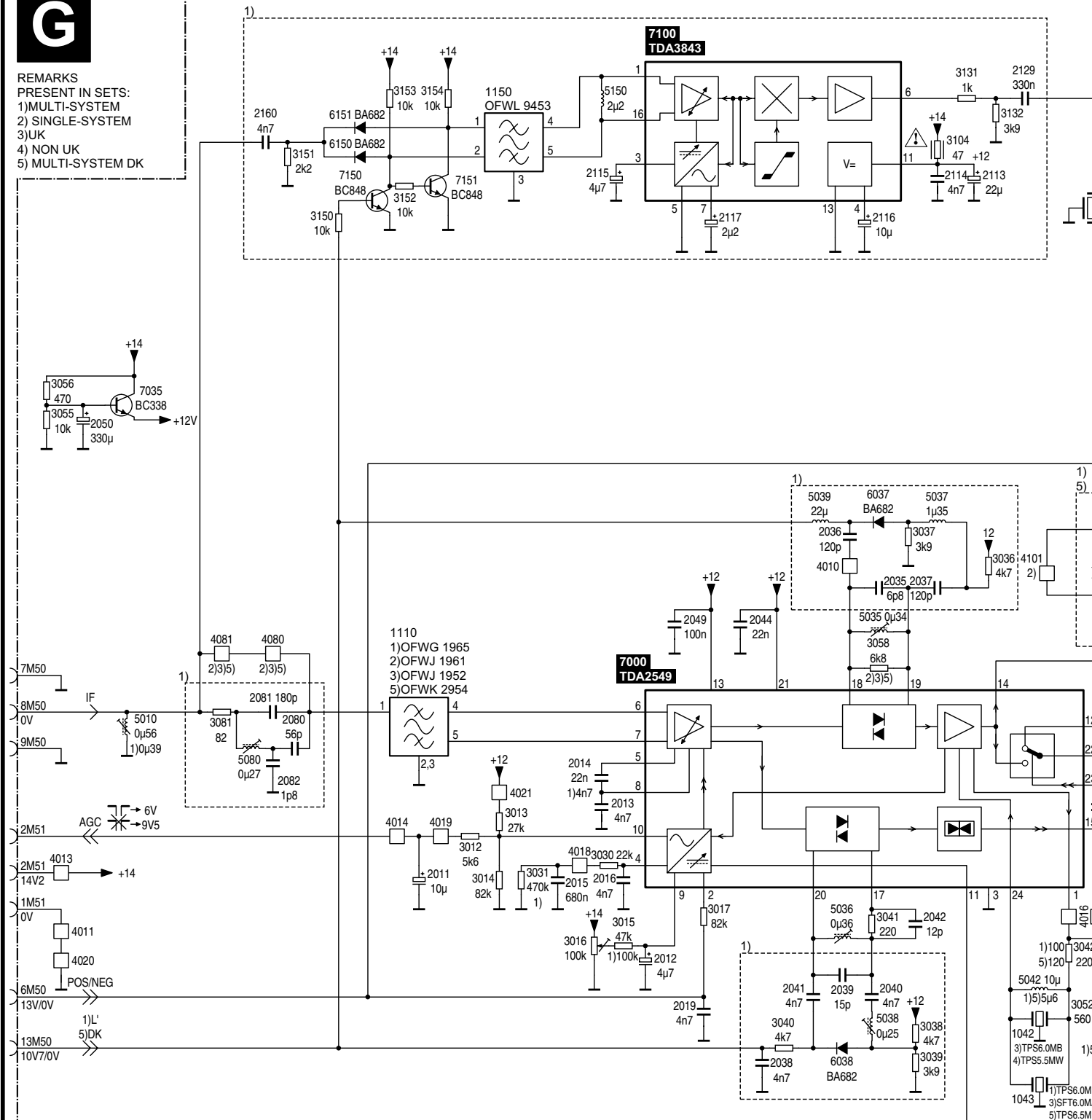


CHASSIS GR2.2

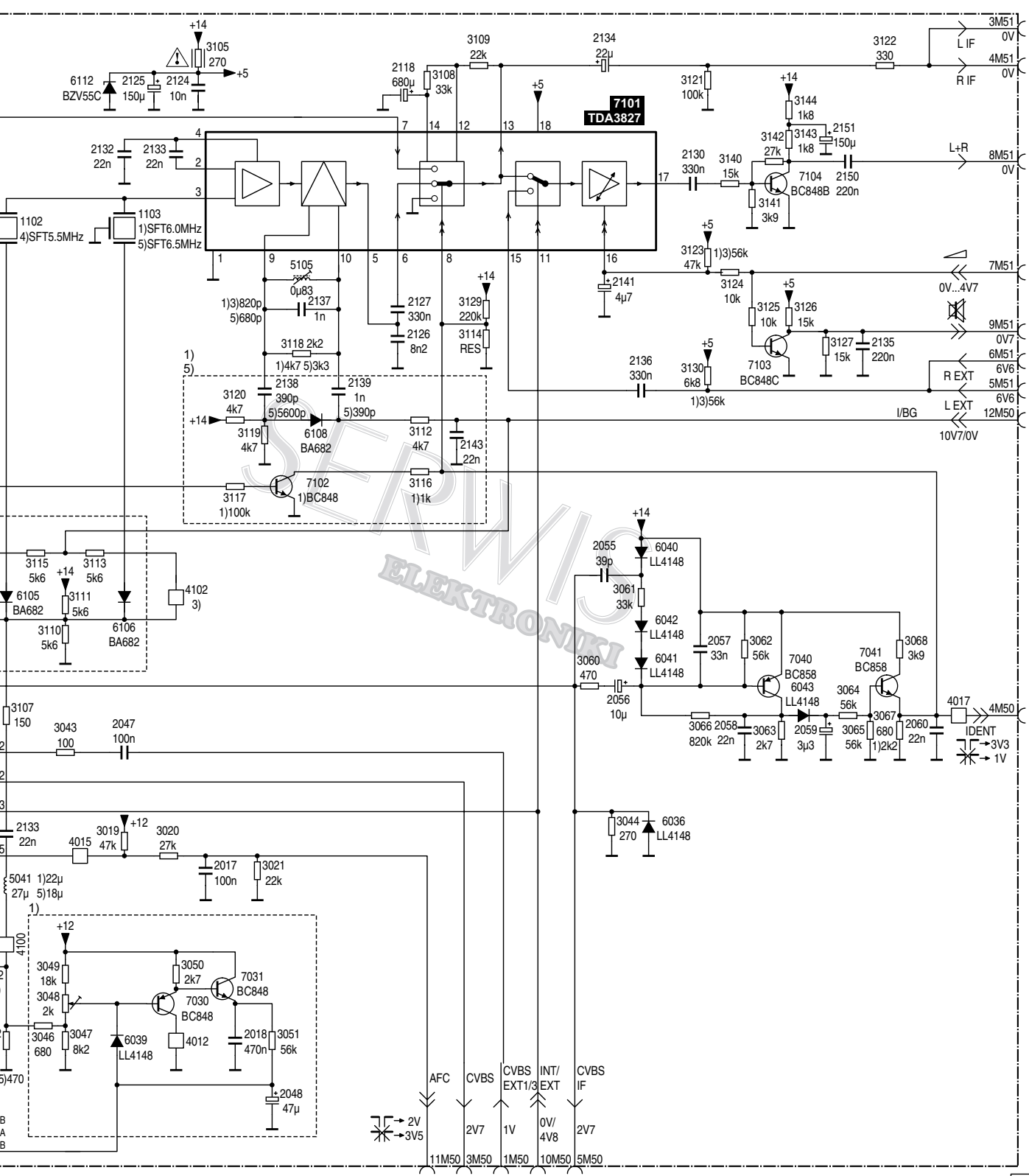
G

REMARKS
PRESENT IN SETS:
1) MULTI-SYSTEM
2) SINGLE-SYSTEM
3) UK
4) NON UK
5) MULTI-SYSTEM DK

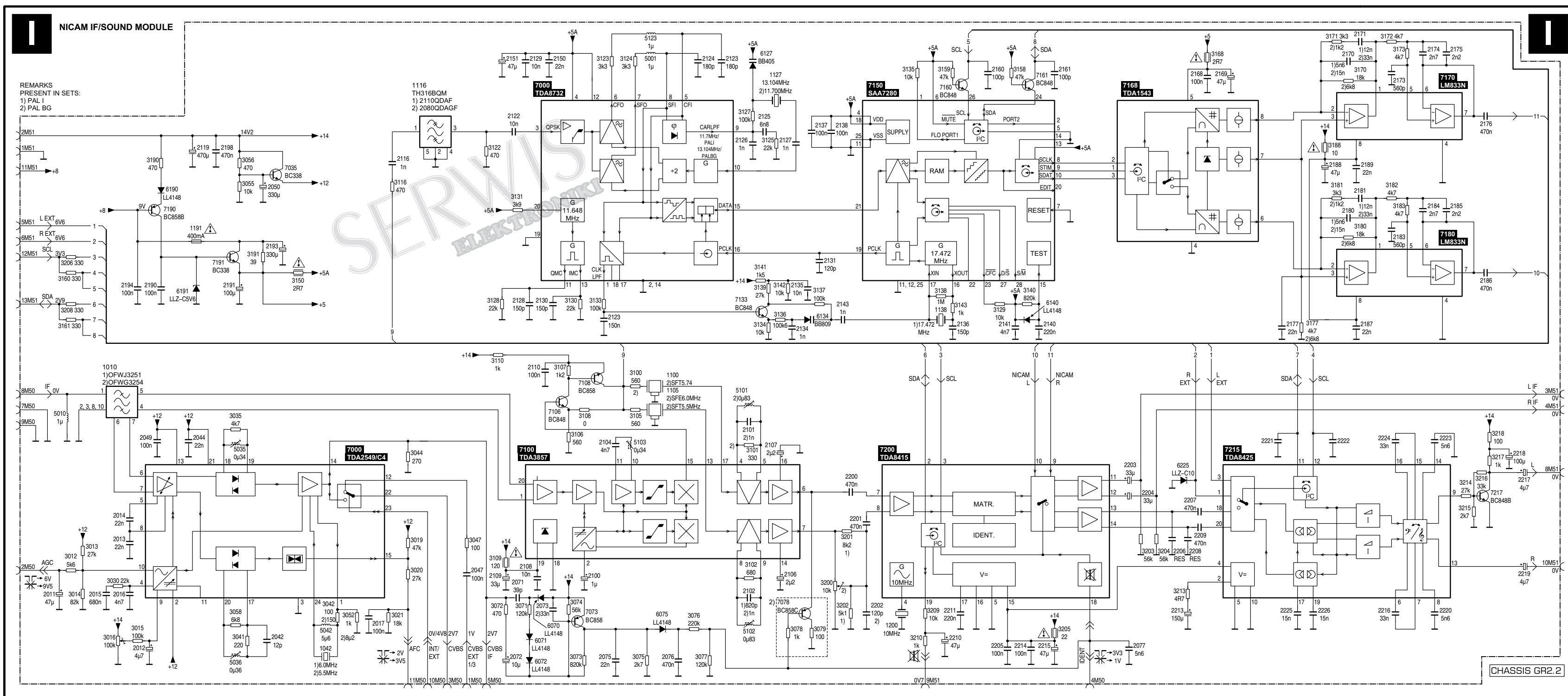
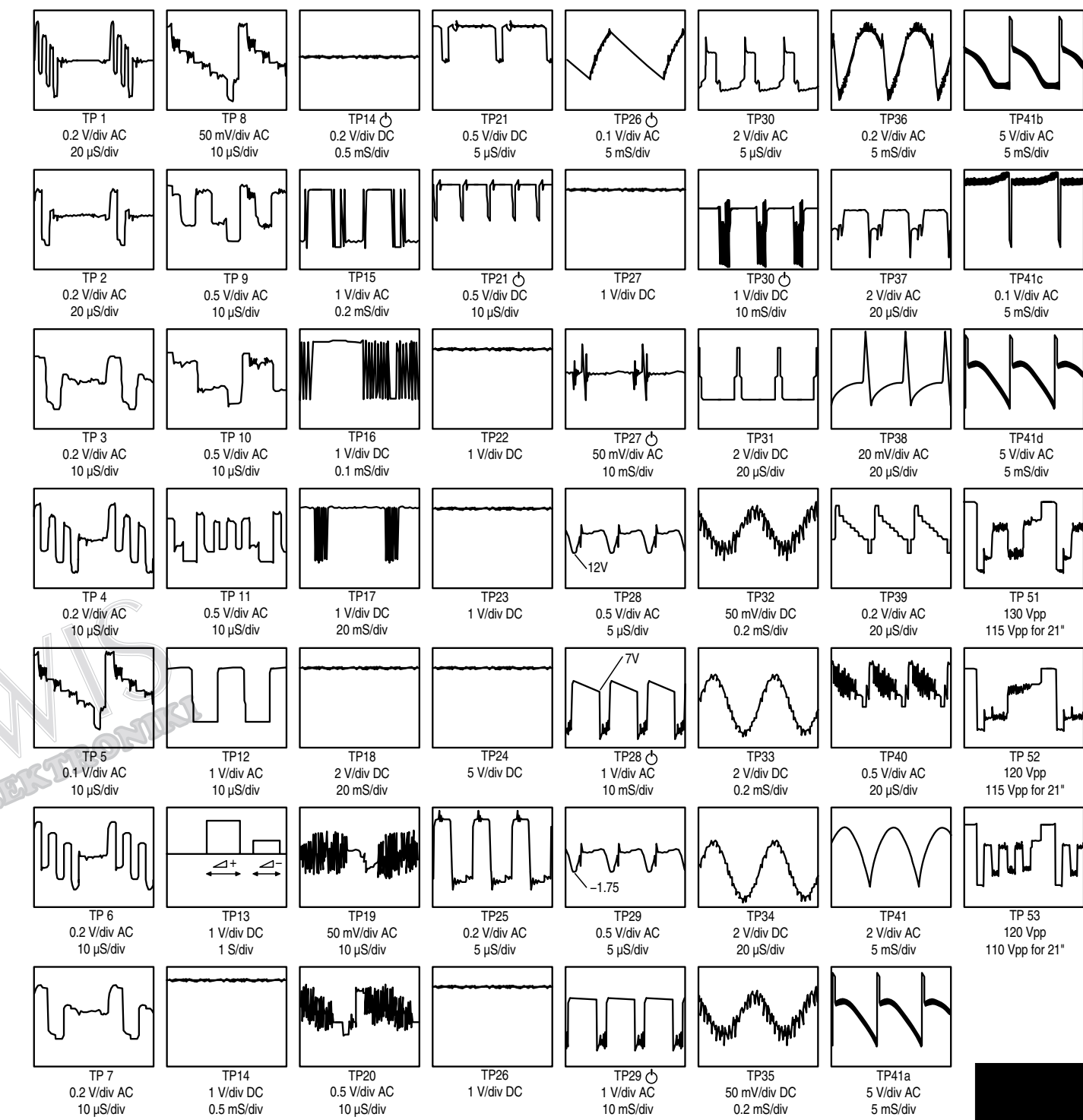
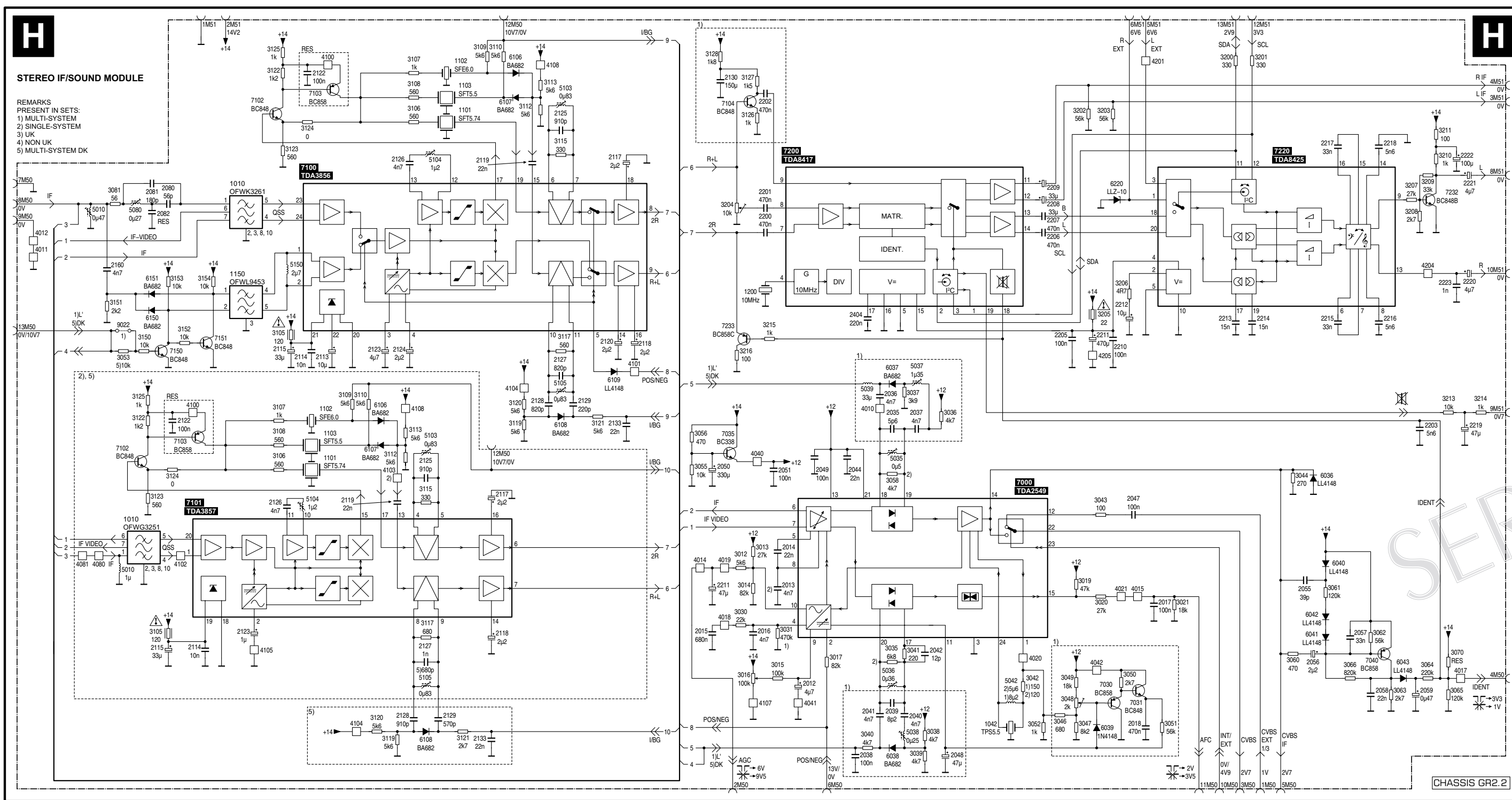
MONO IF/SOUND MODULE



G



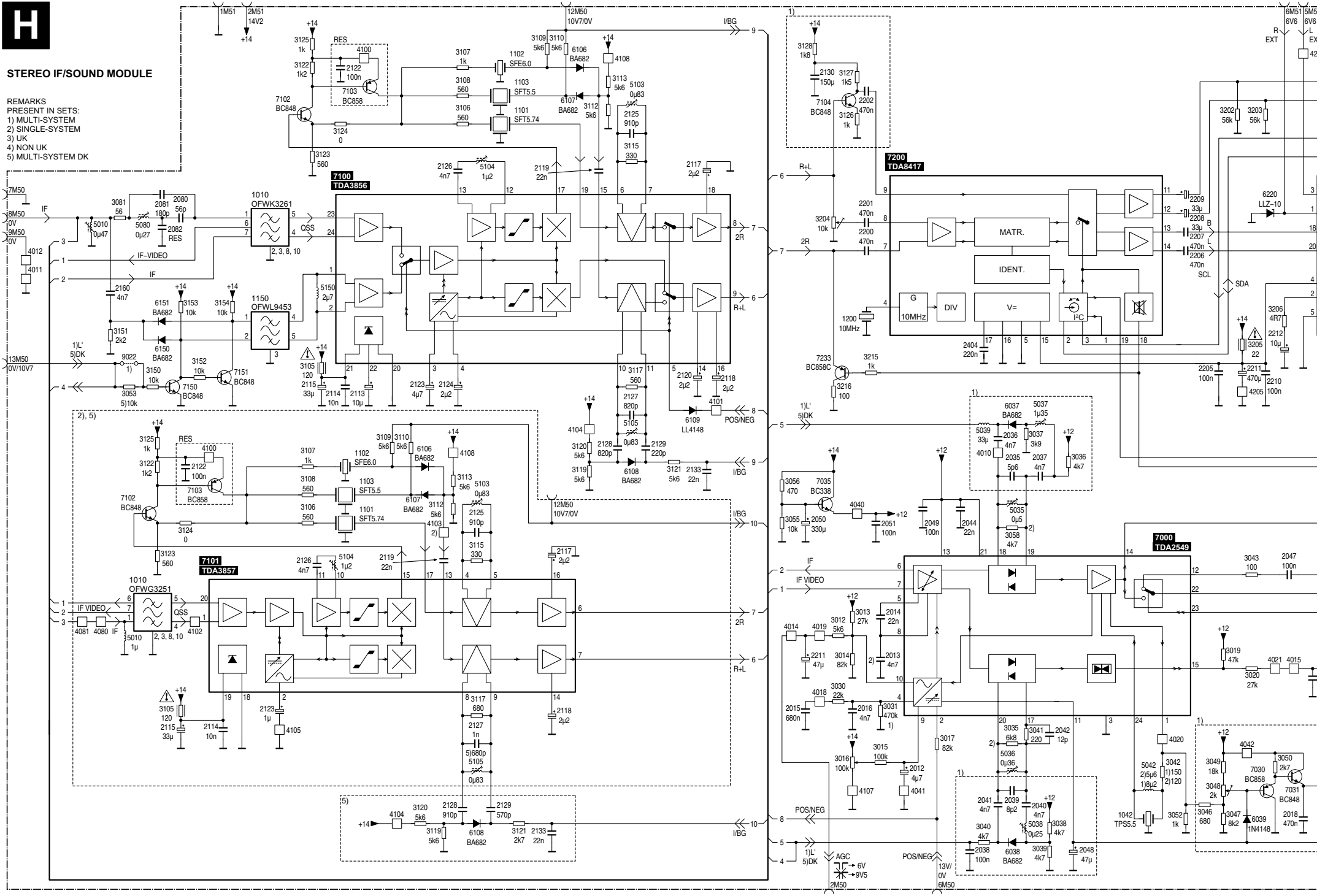
CHASSIS GR2.2

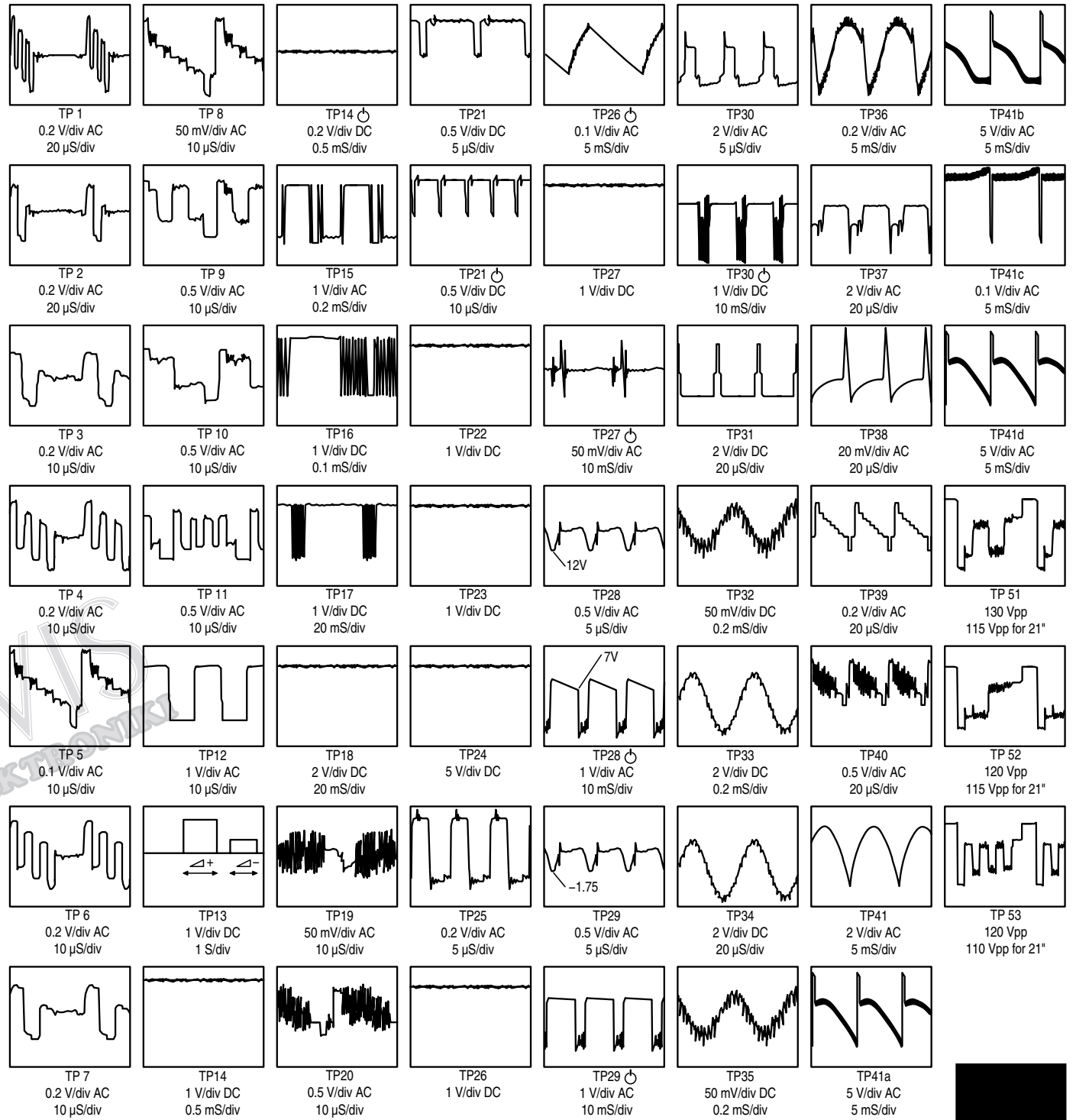
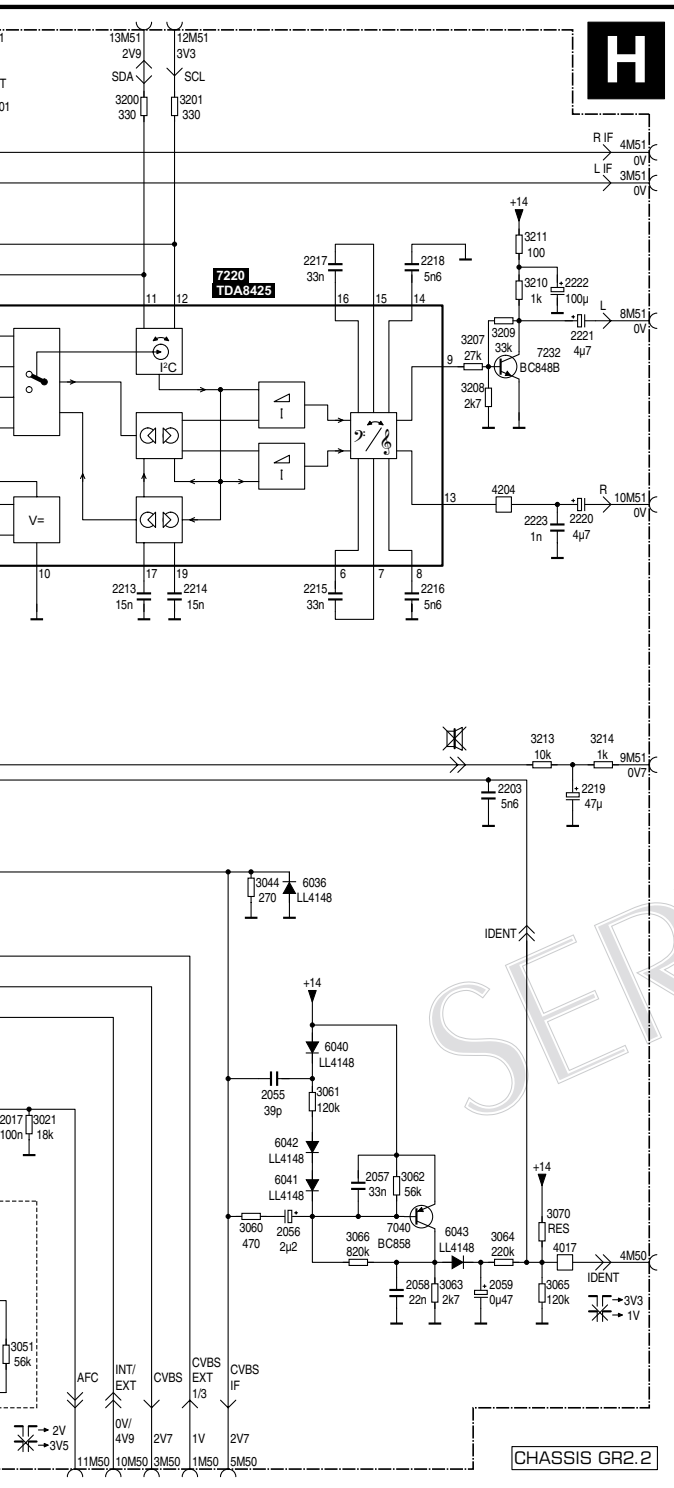


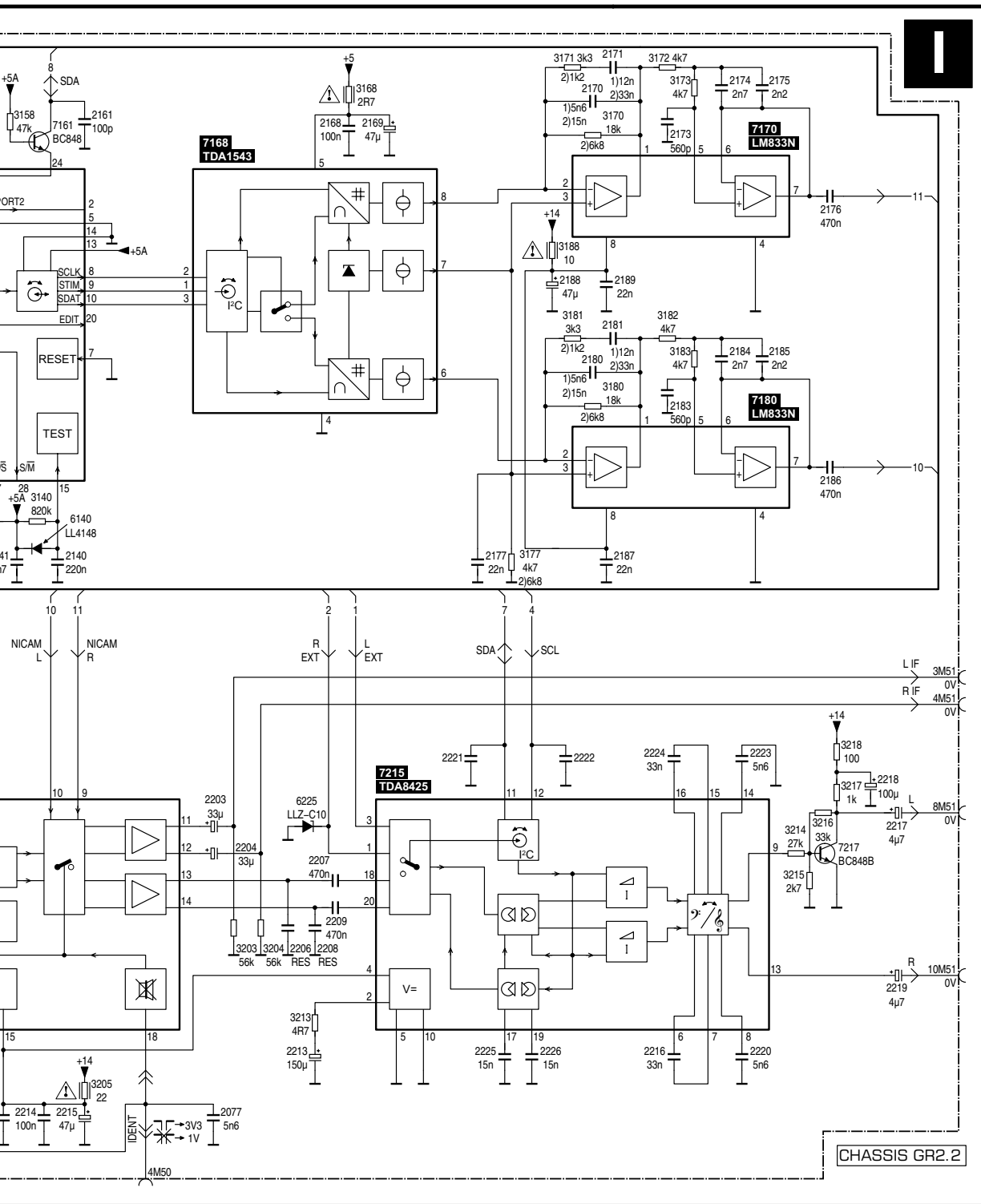


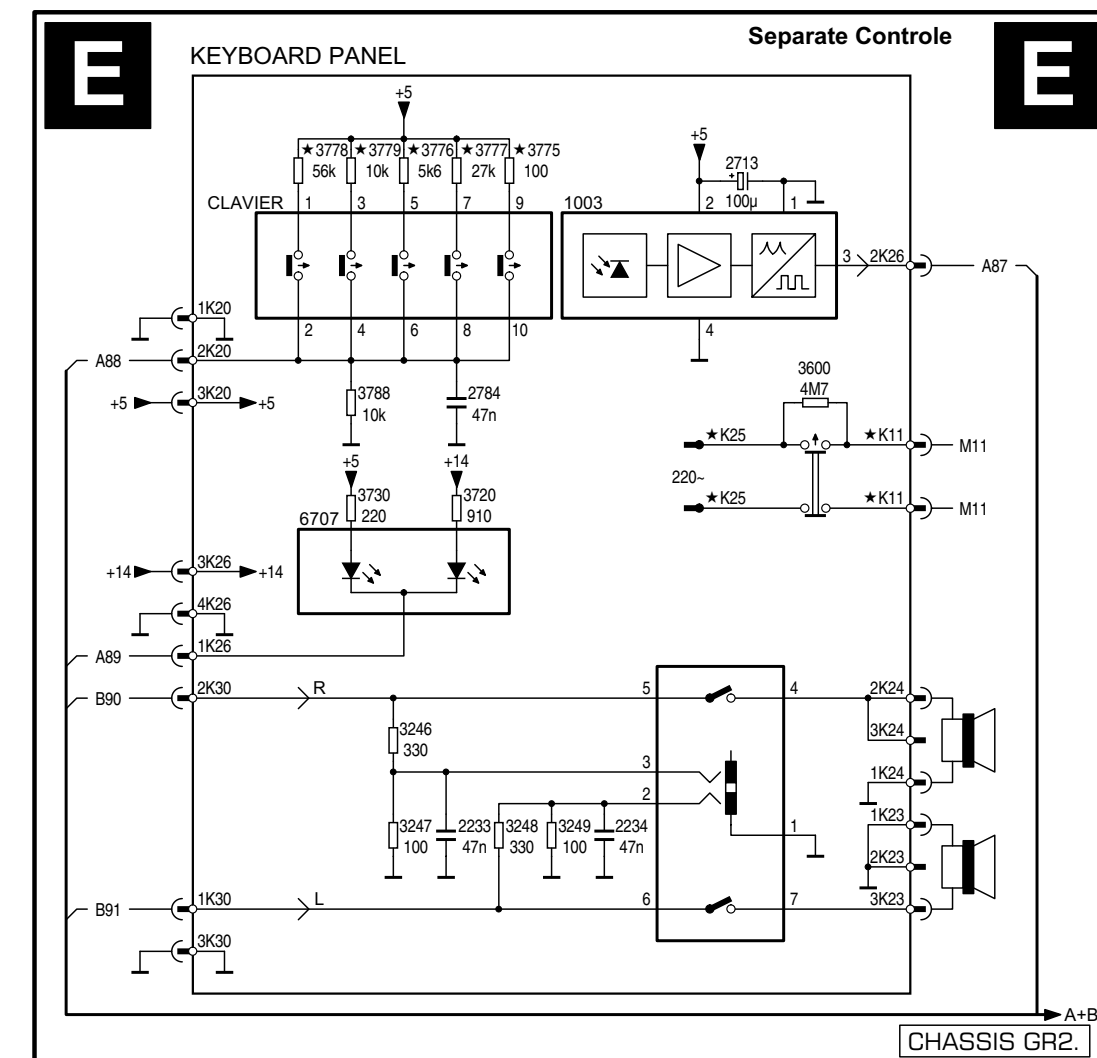
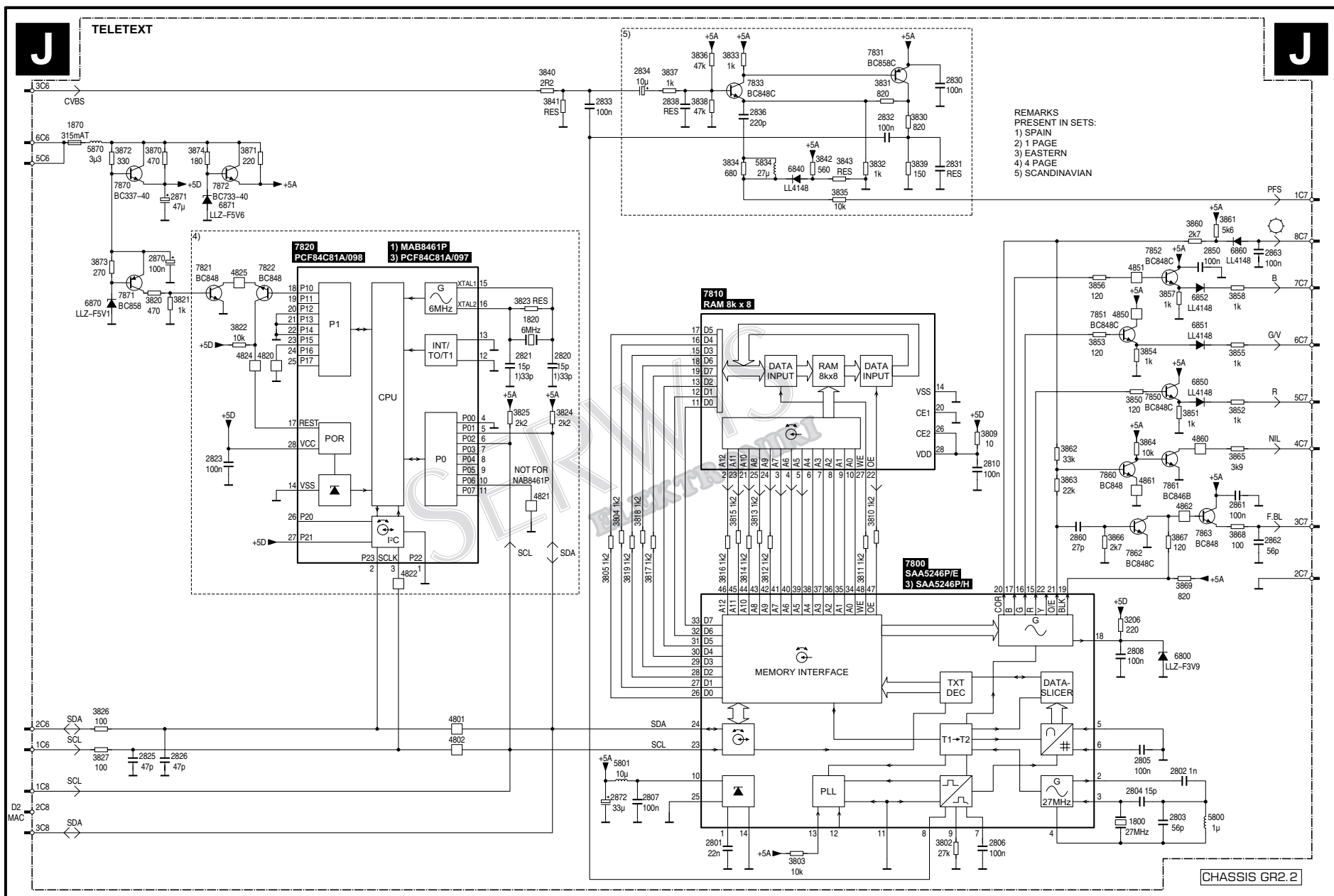
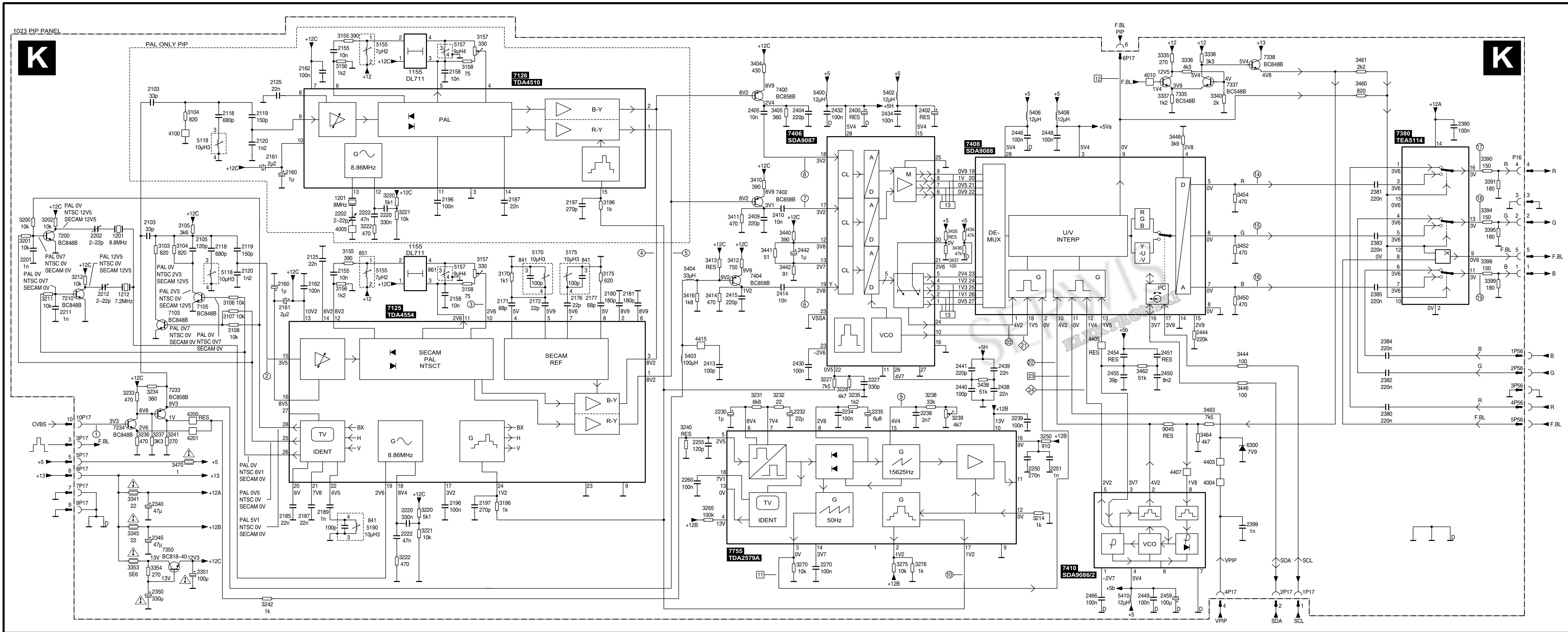
STEREO IF/SOUND MODULE

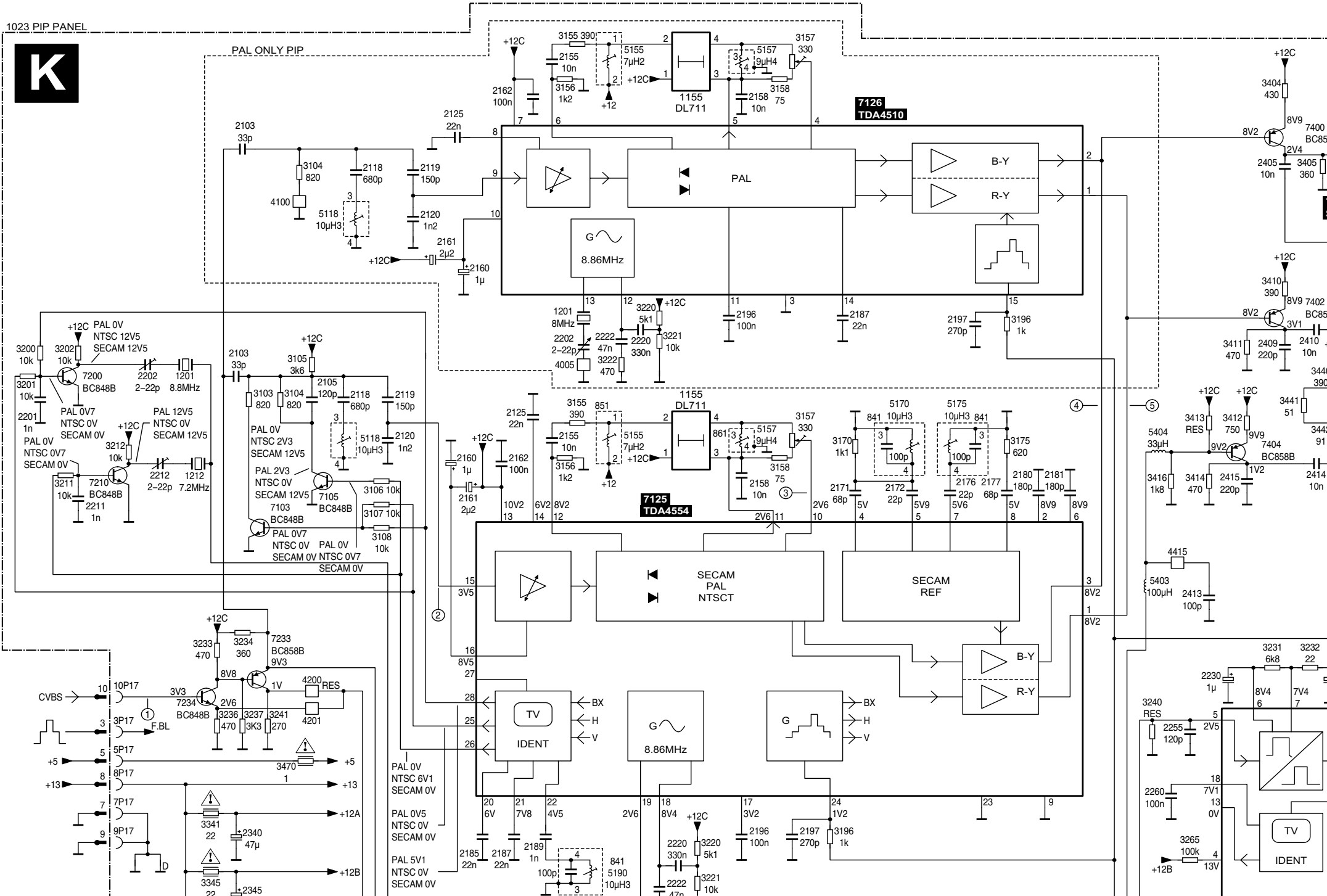
REMARKS
 PRESENT IN SETS:
 1) MULTI-SYSTEM
 2) SINGLE-SYSTEM
 3) UK
 4) NON UK
 5) MULTI-SYSTEM DK

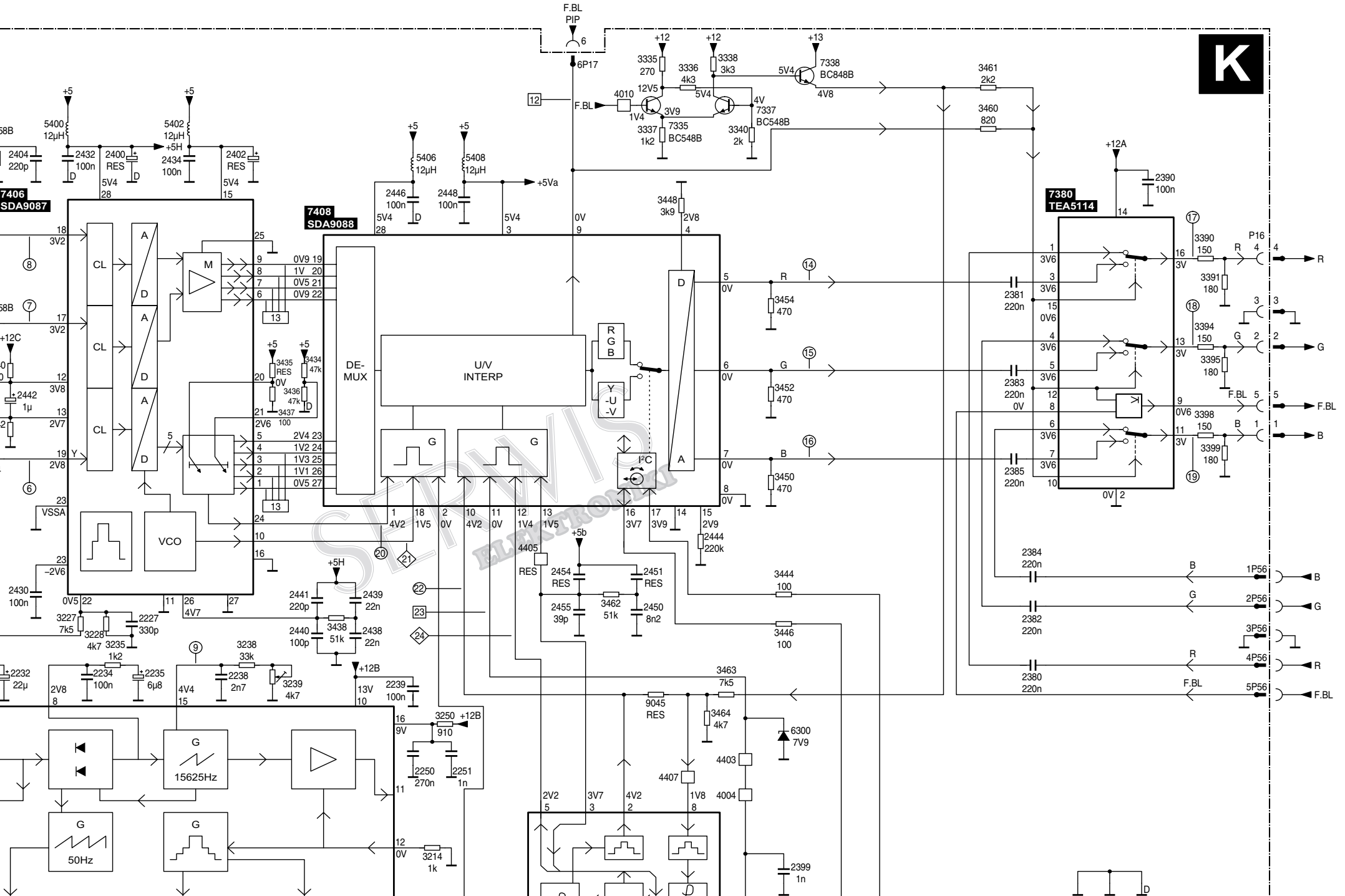


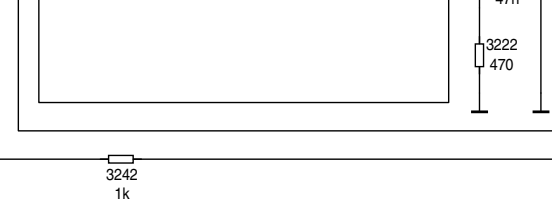
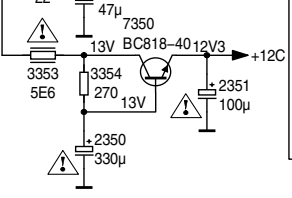




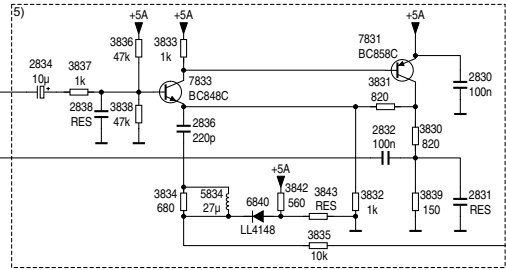
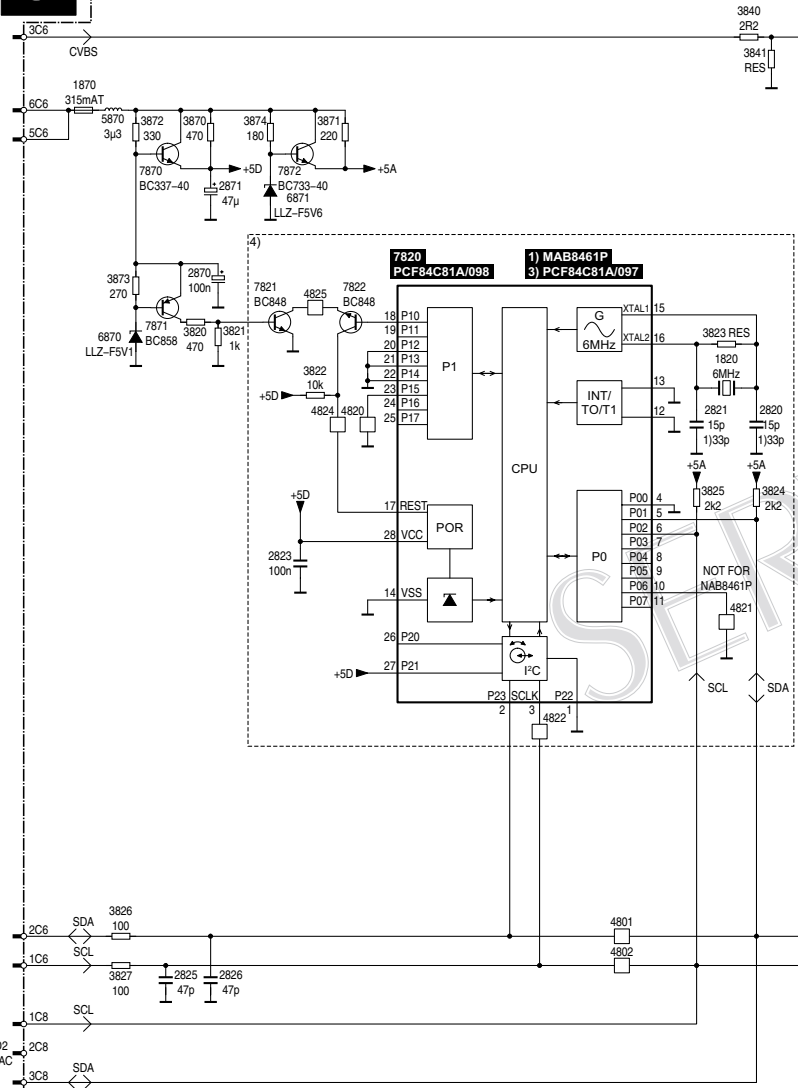




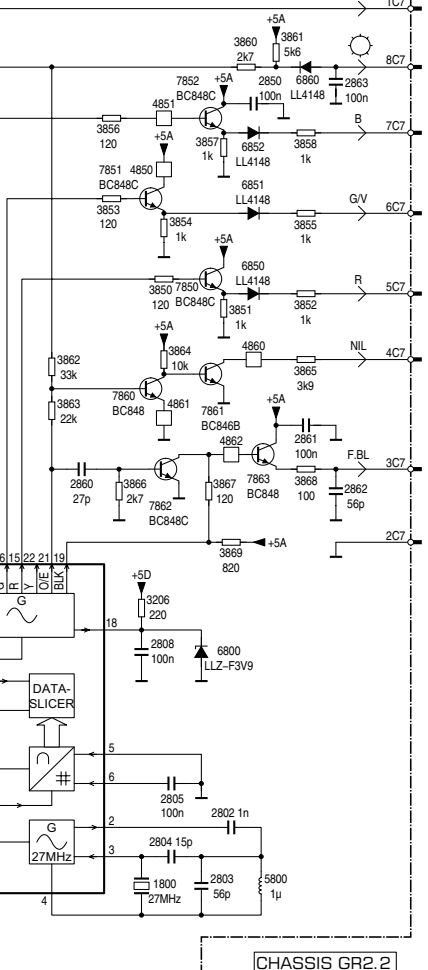
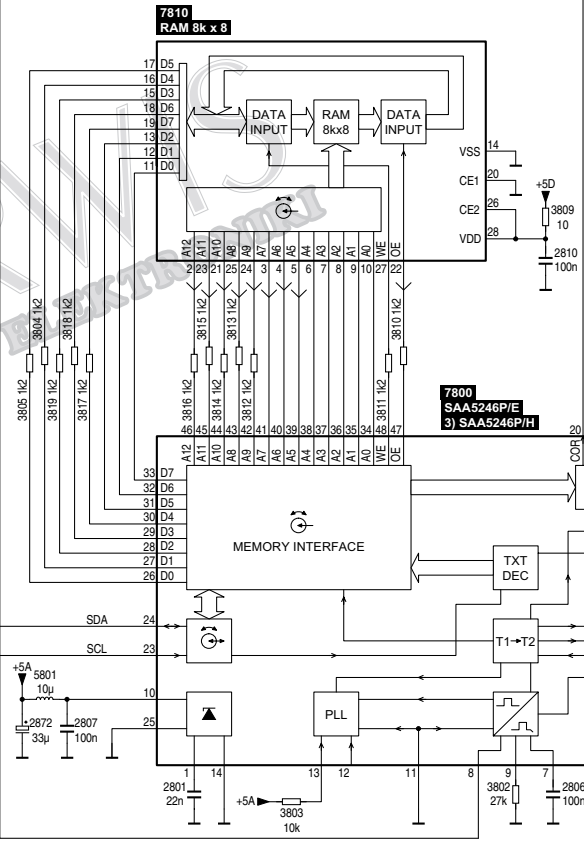




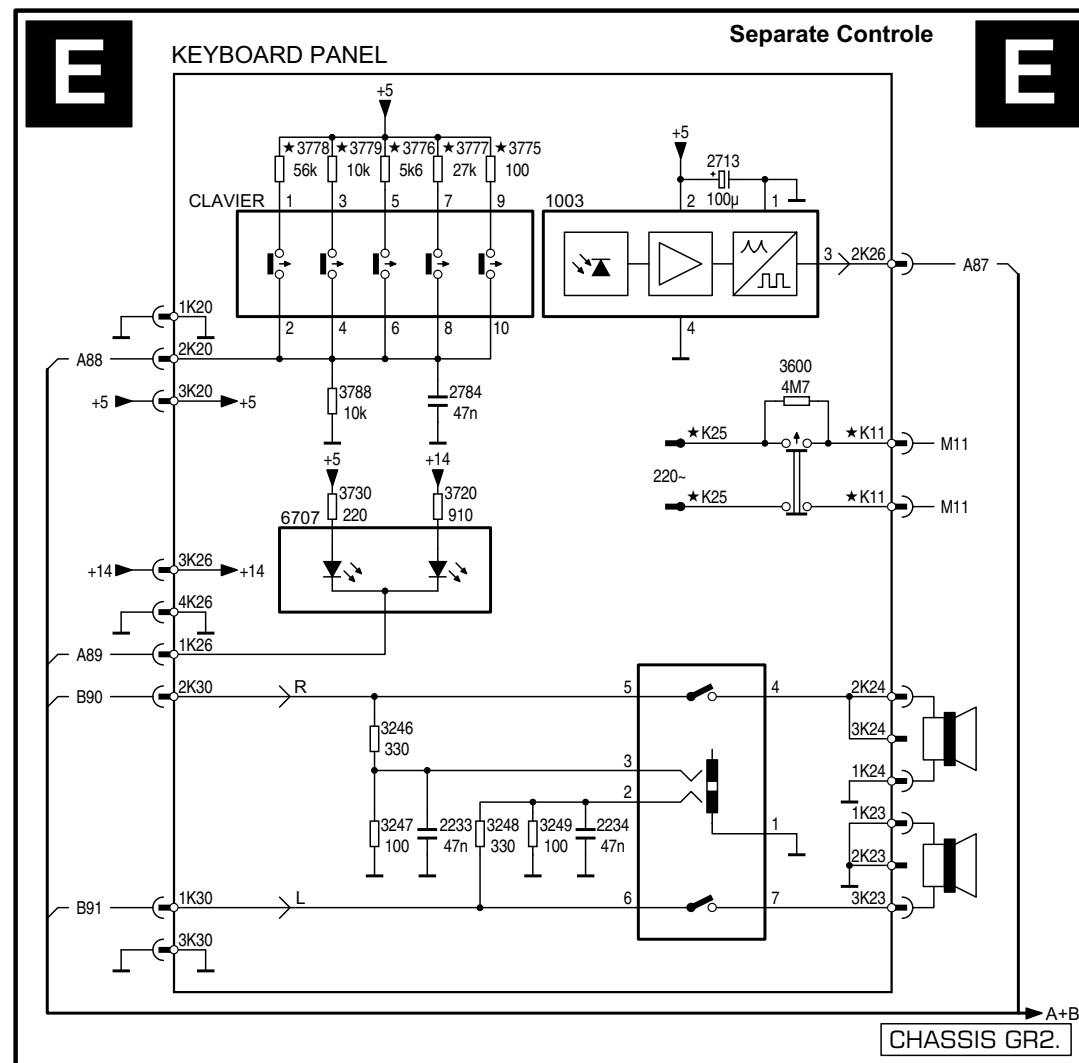
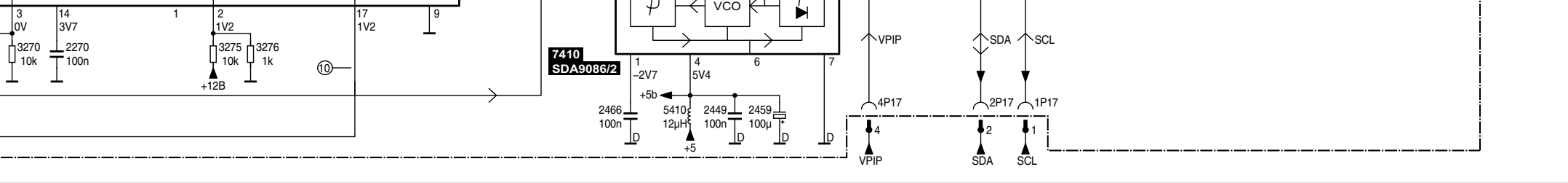
TELETEXT



REMARKS
PRESENT IN SETS:
1) SPAIN
2) 1 PAGE
3) EASTERN
4) 4 PAGE
5) SCANDINAVIAN



CHASSIS GR2.2



OTVC Philips chassis GR2.2 strona 6/6