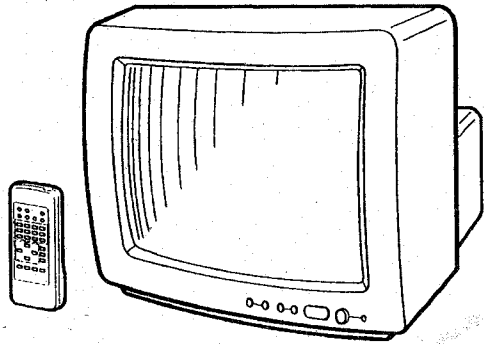


JVC

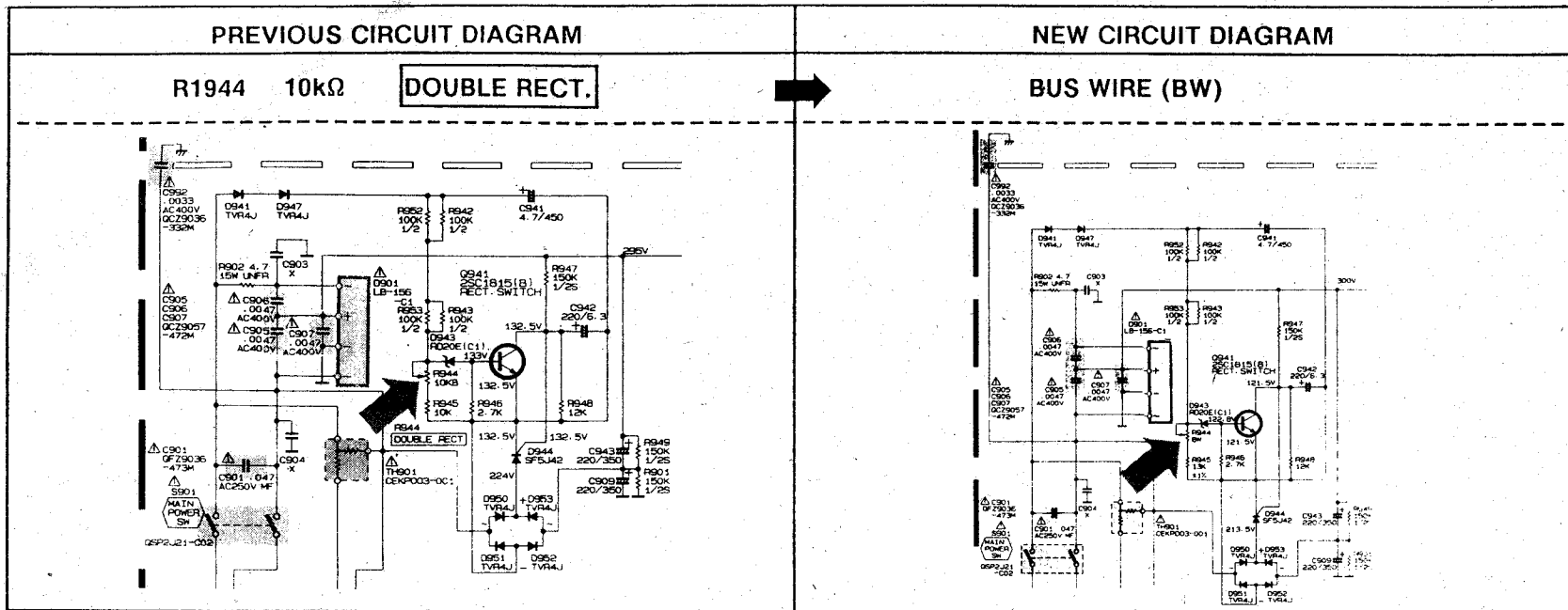
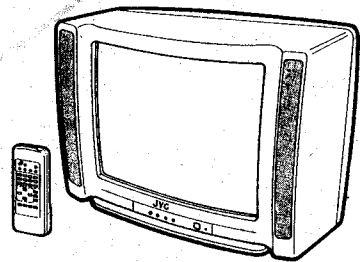
C-14Z
C-14Z-A(Saudi Arabia)

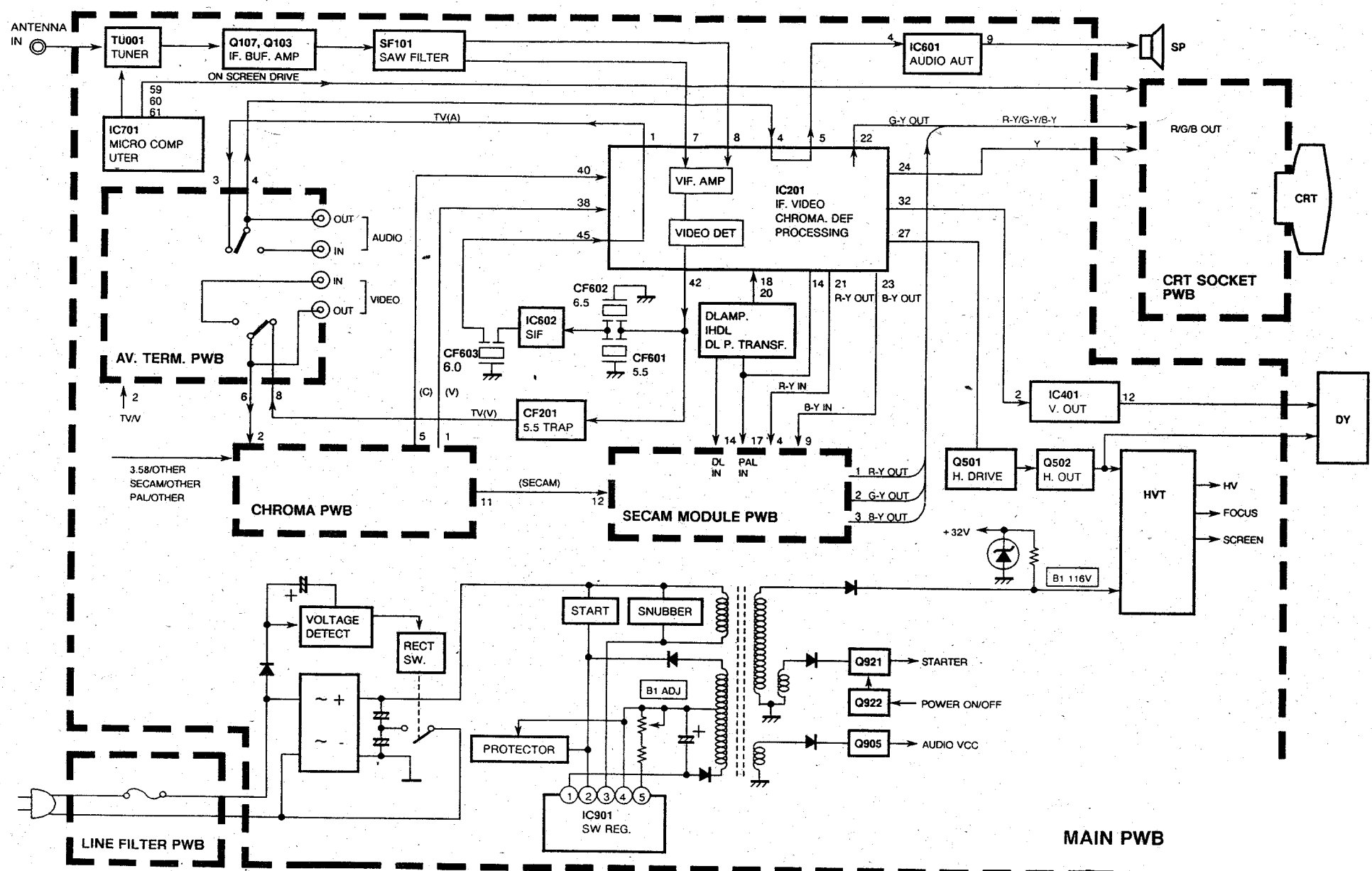
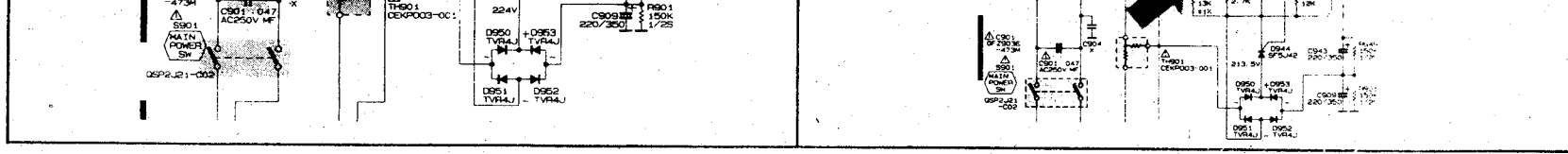
BASIC CHASSIS
CZ



C-14W
C-14W(-A)(Saudi Arabia)

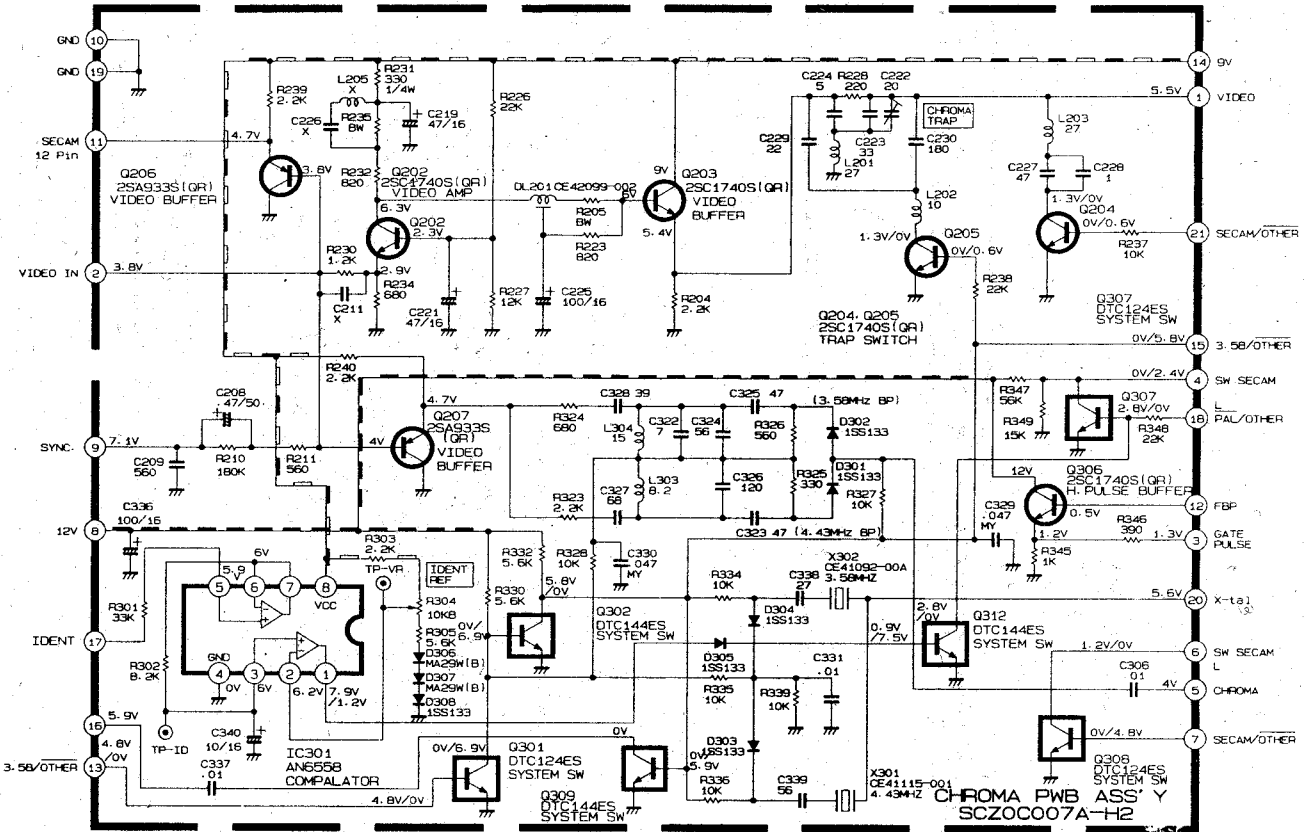
BASIC CHASSIS
CZ





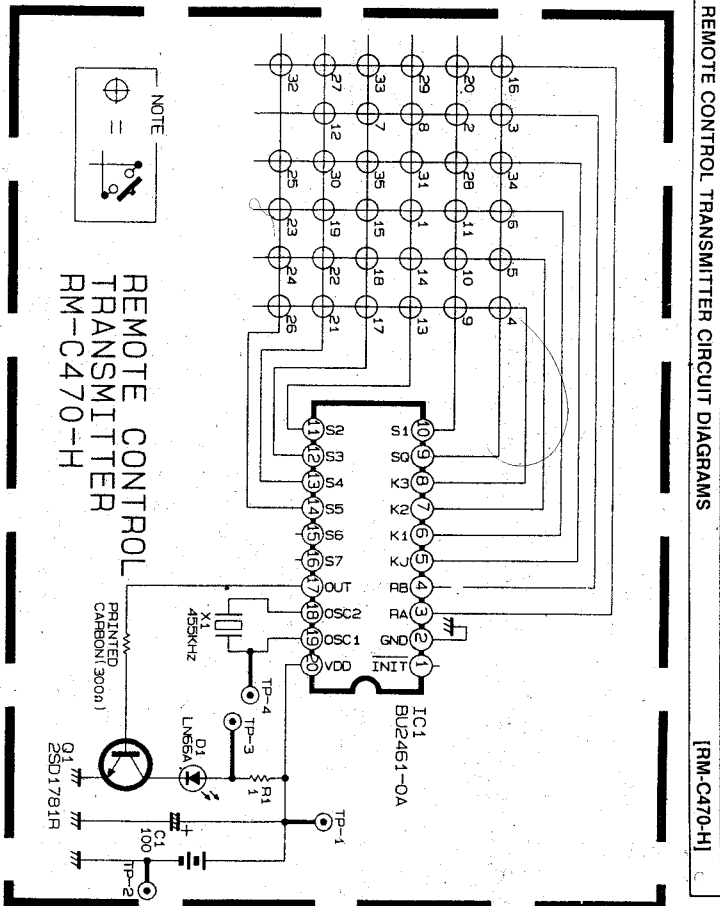
CHROMA PWB CIRCUIT DIAGRAM

Refer to the following PWB pattern : CHROMA PWB PATTERN 2-16page.



KEY NO.	KEY NAME	KEY NO.	KEY NAME	KEY NO.	KEY NAME
1	POWER(TV)	15	DISPLAY	26	▲PICTURE ADJ.
2	TV	16	DISP.LAY	27	-PICTURE ADJ.
3	VIDEO	17	4	28	+PICTURE ADJ.
4	OH PRESET	18	5	29	▼PICTURE ADJ.
5	SLEEP TIMER	19	6	30	VSM
6	VSM STANDARD	20	7	31	MUTE
7	COLOUR SYSTEM	21	8	32	CHANNEL V
8	MENU	22	9	33	CHANNEL ^
9	1	23	0	34	VOLUME -
10	2	24	-/-	35	VOLUME +

FUNCTION OF KEYS

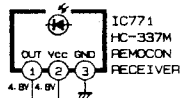
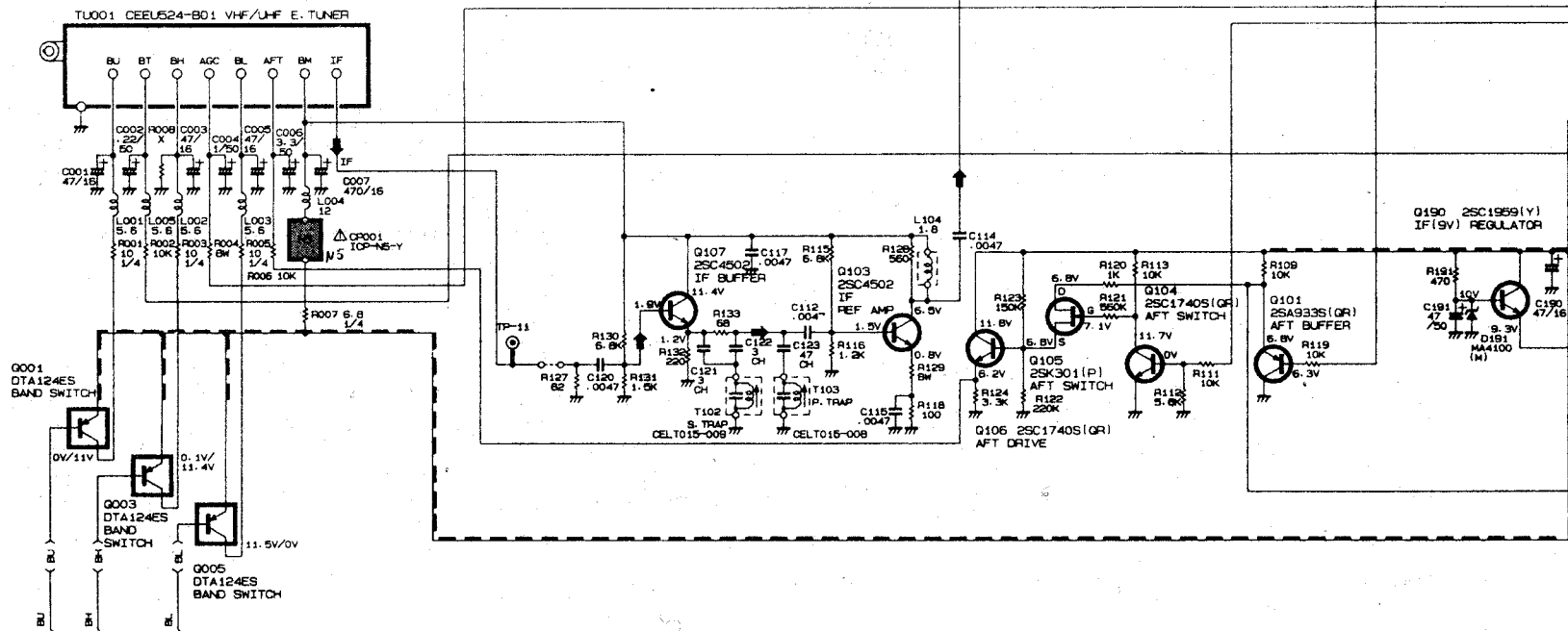


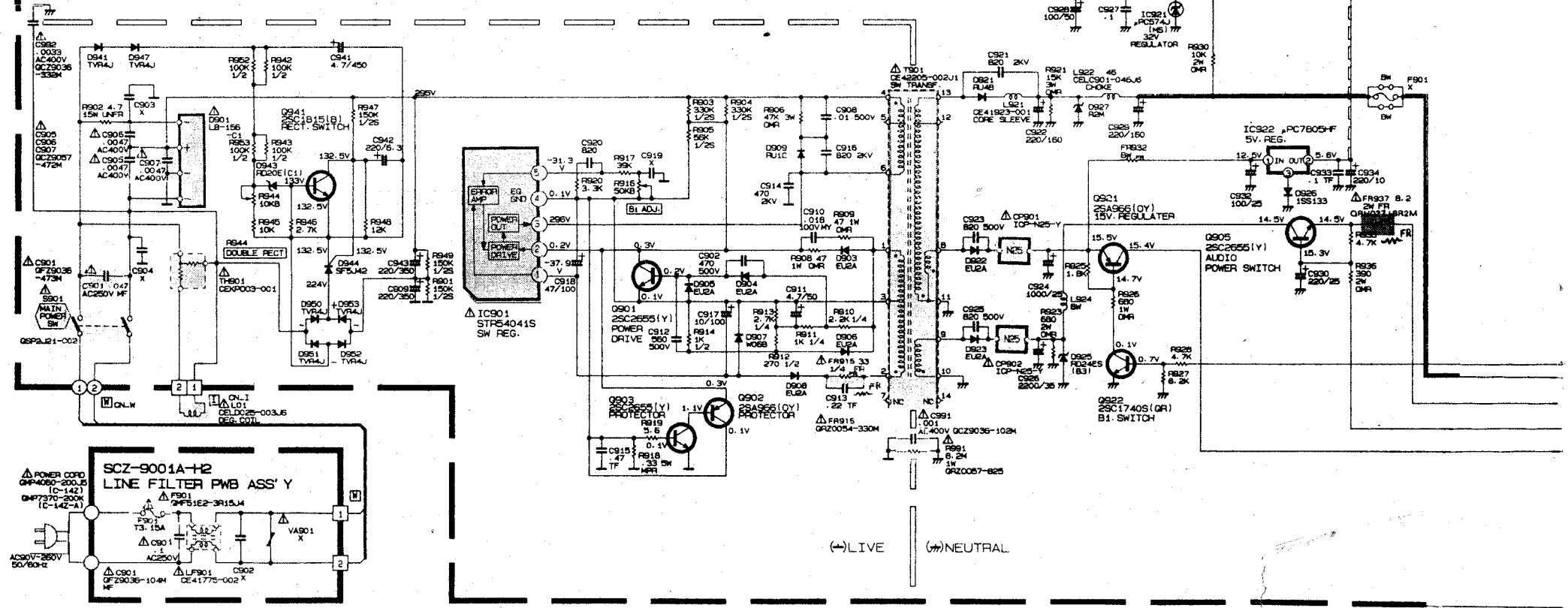
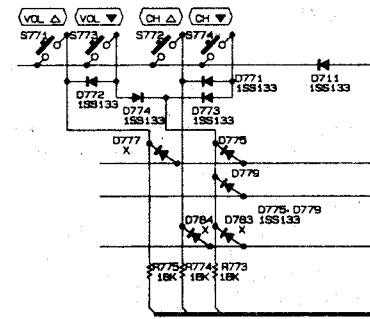
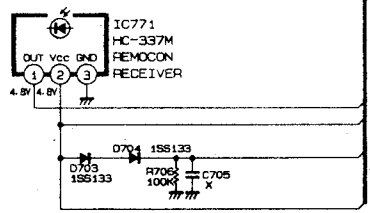
REMOTE CONTROL TRANSMITTER CIRCUIT DIAGRAMS

[RM-C470-H]

C-14Z

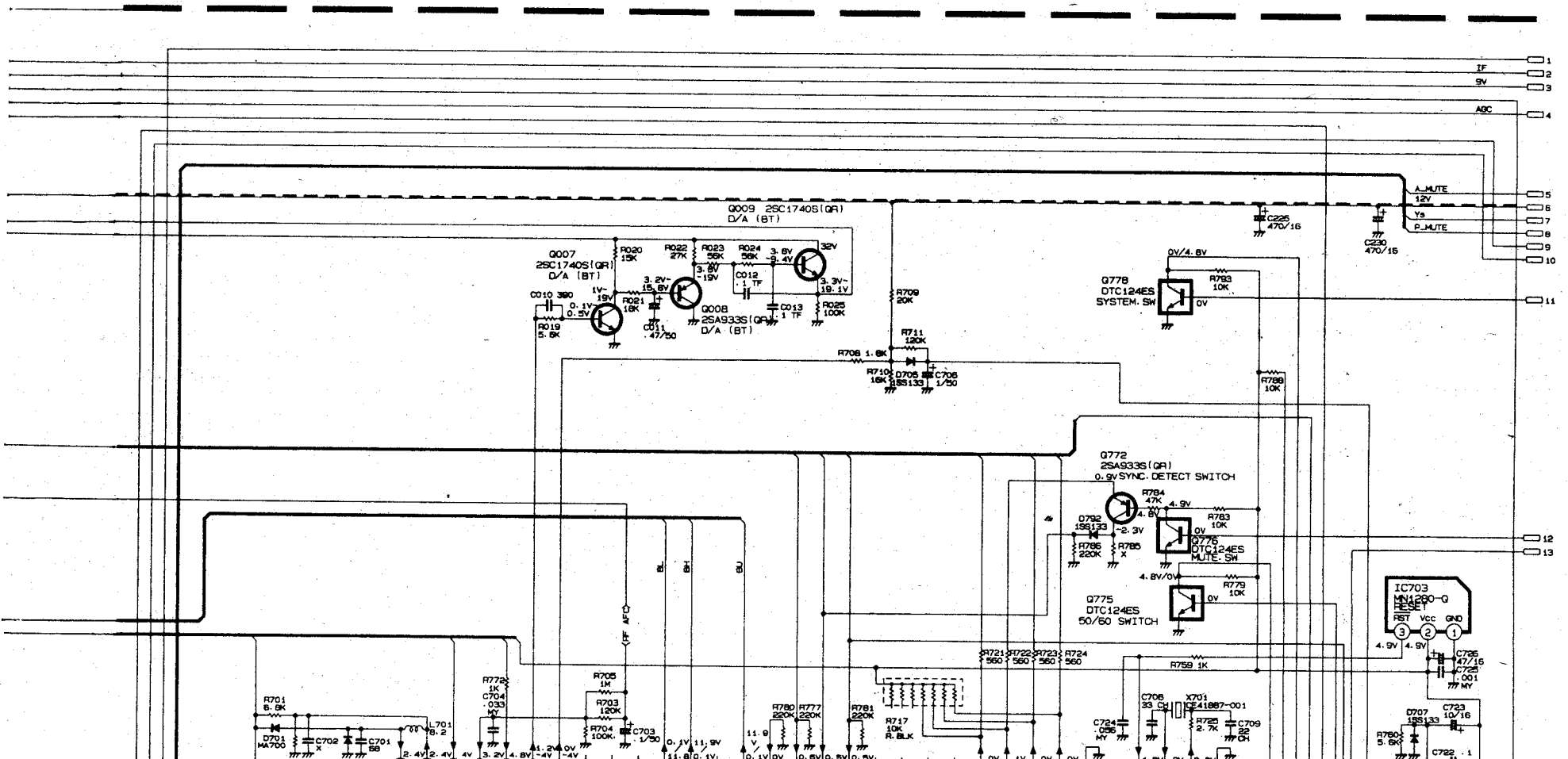
MAIN PWB, CRT SOCKET PWB, LINE FILTER PWB CIRCUIT DIAGRAMS



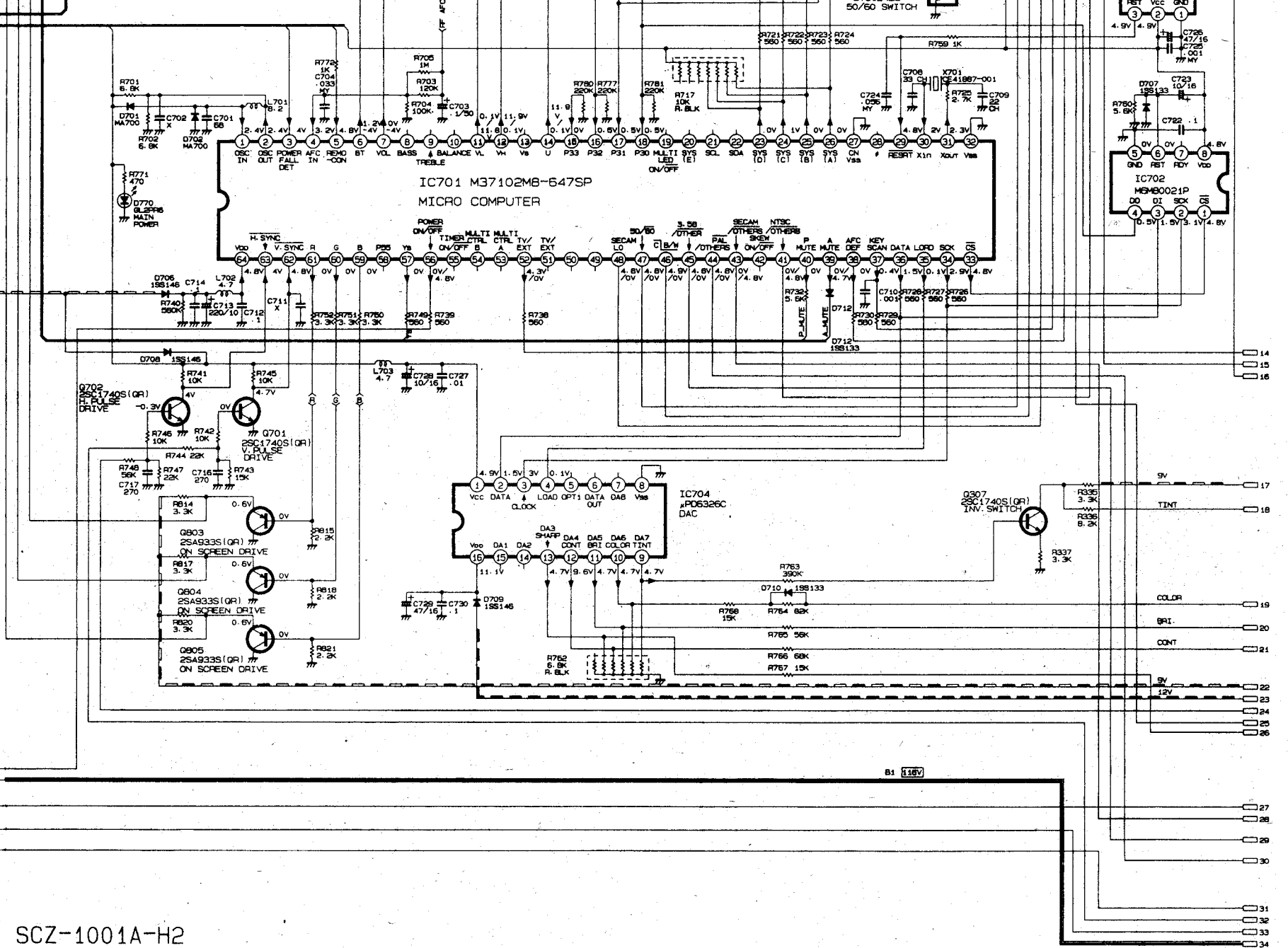


* DIFFERENCES LIST

MODEL	POWER CORD
C-14Z	GMP4050-200.5
C-14Z-A	GMP7370-200K

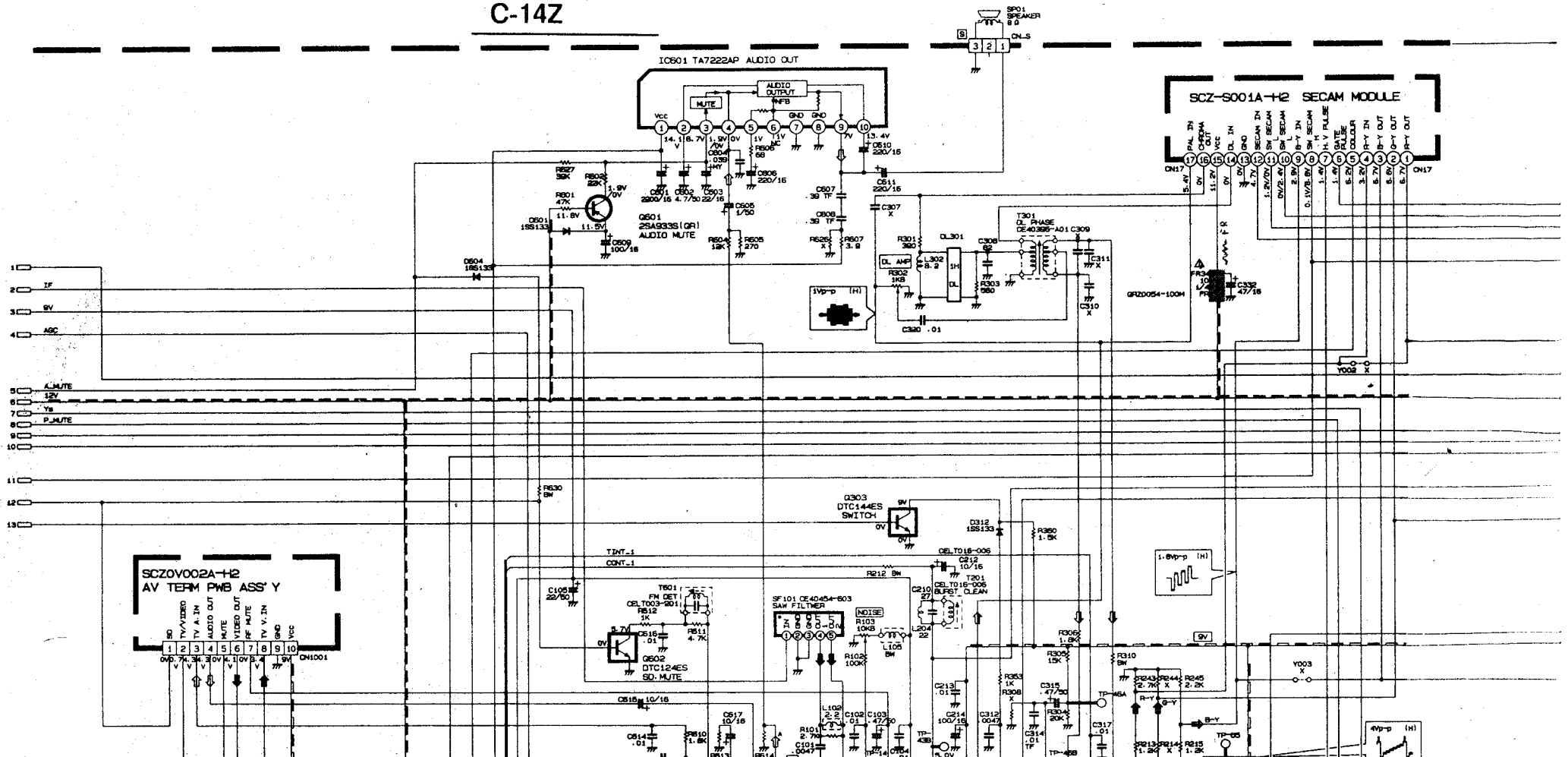


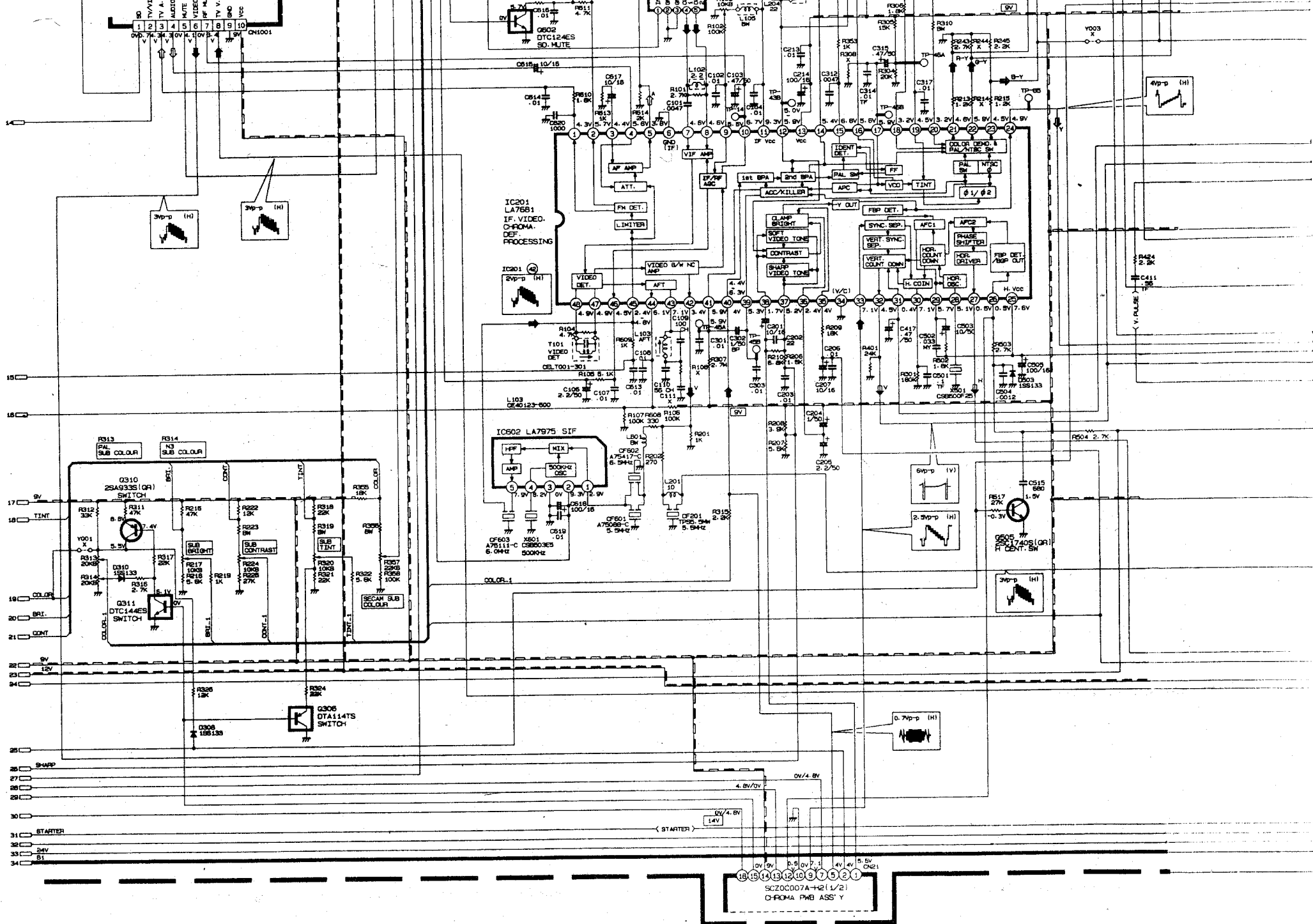
SCZ-1001A-H2
MAIN PWB ASS'Y



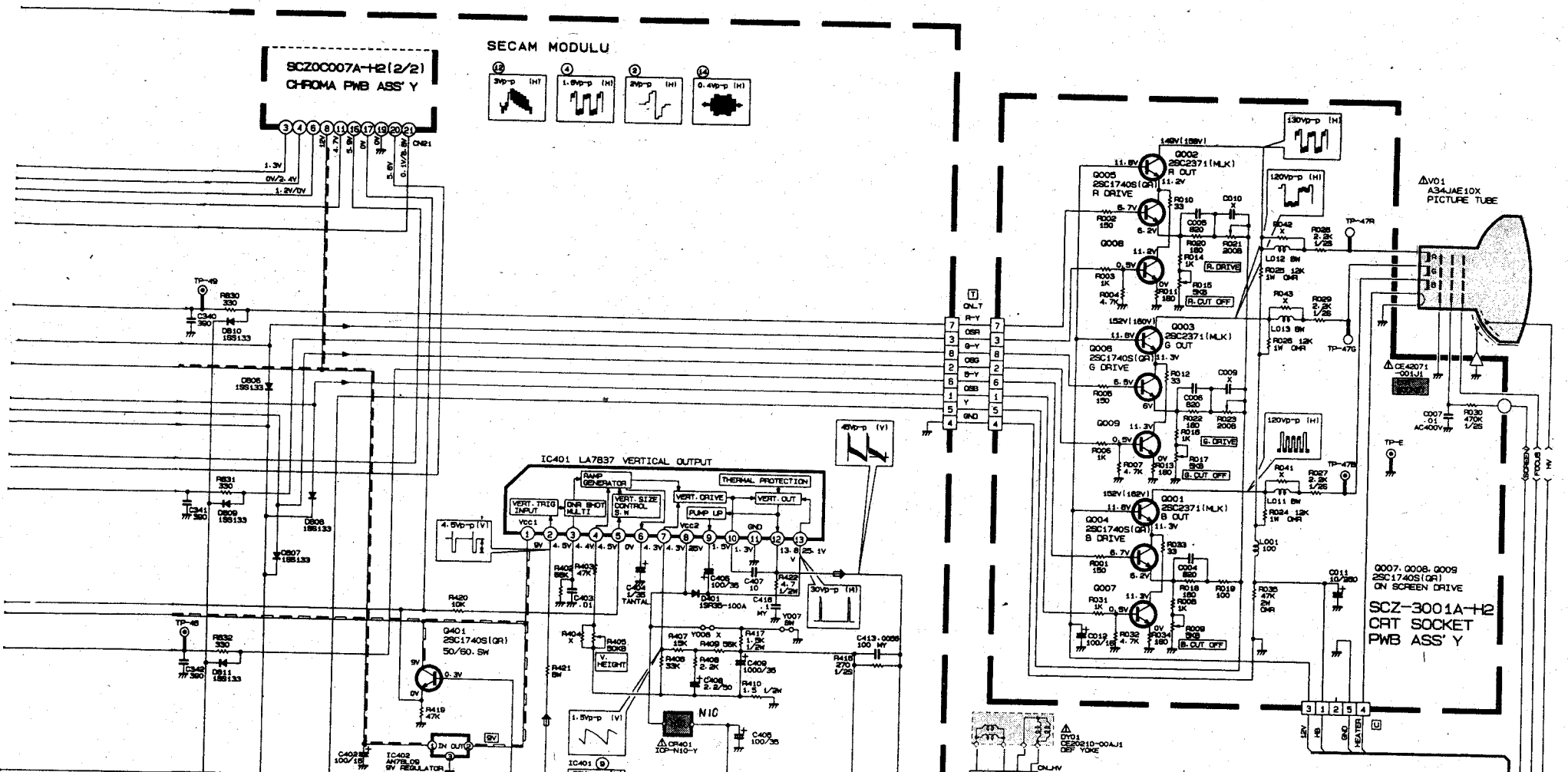
NOTES X = NO PARTS MOUNTING
BW = BUS WIFE

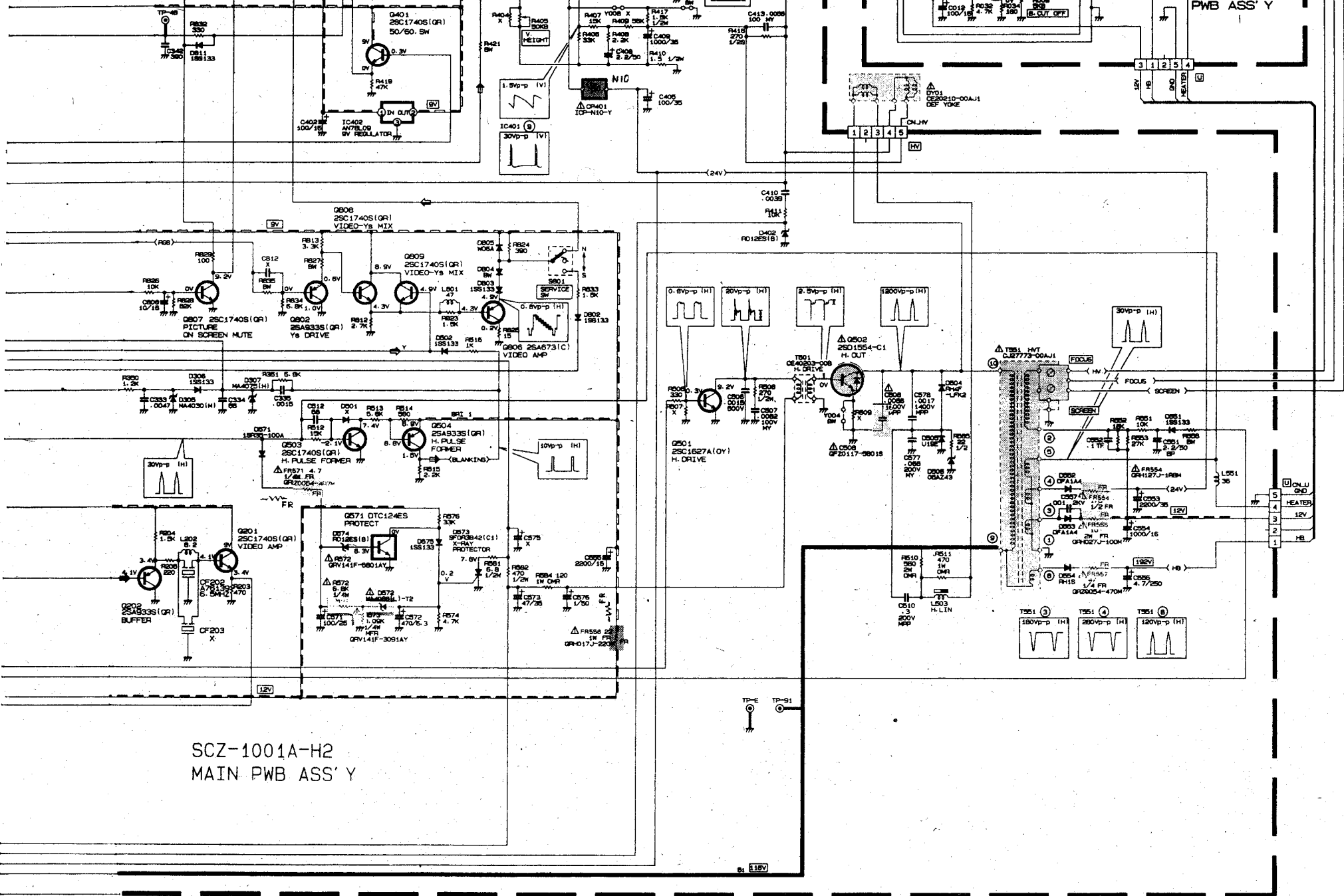
C-14Z





C-14Z

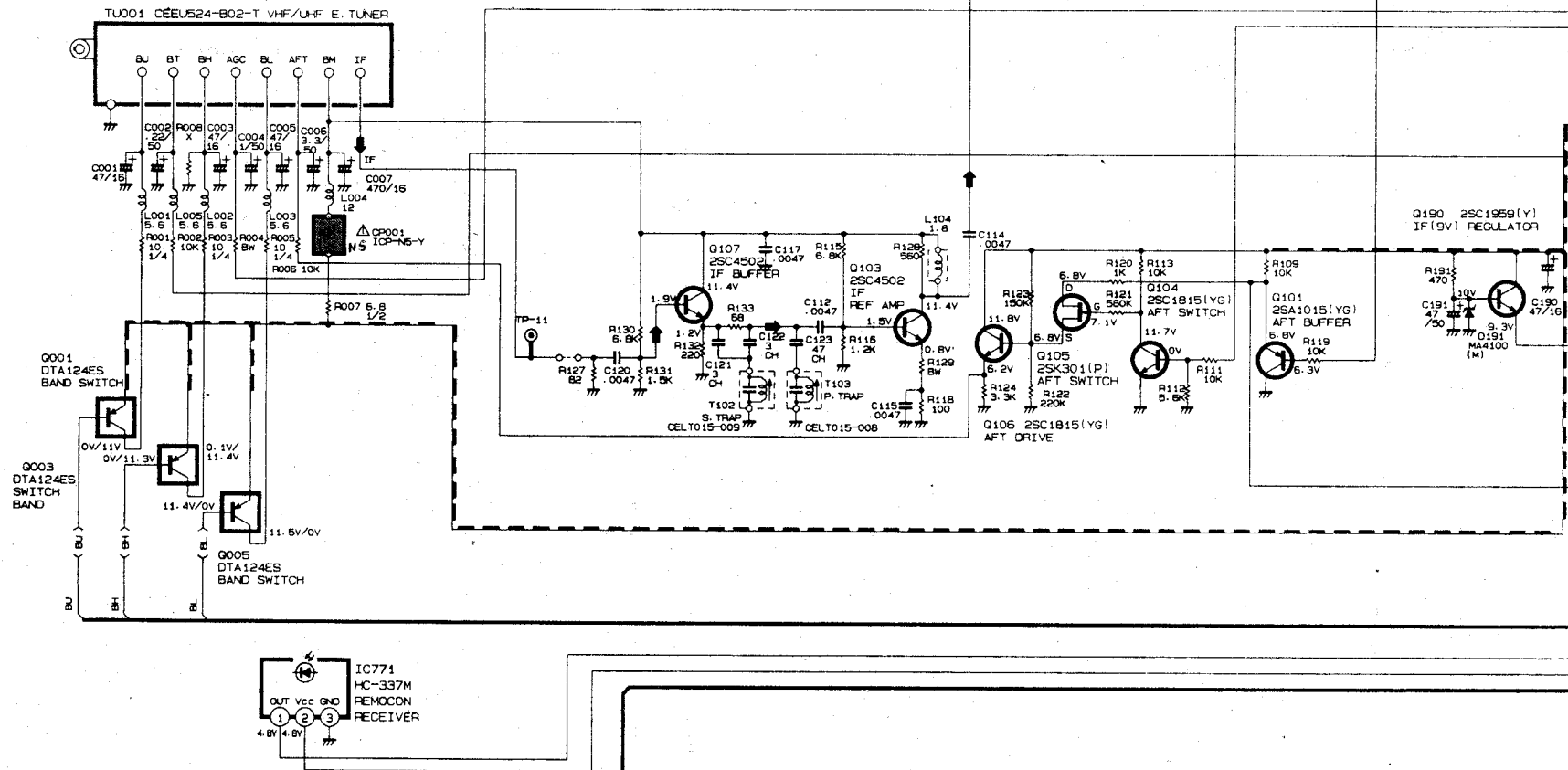


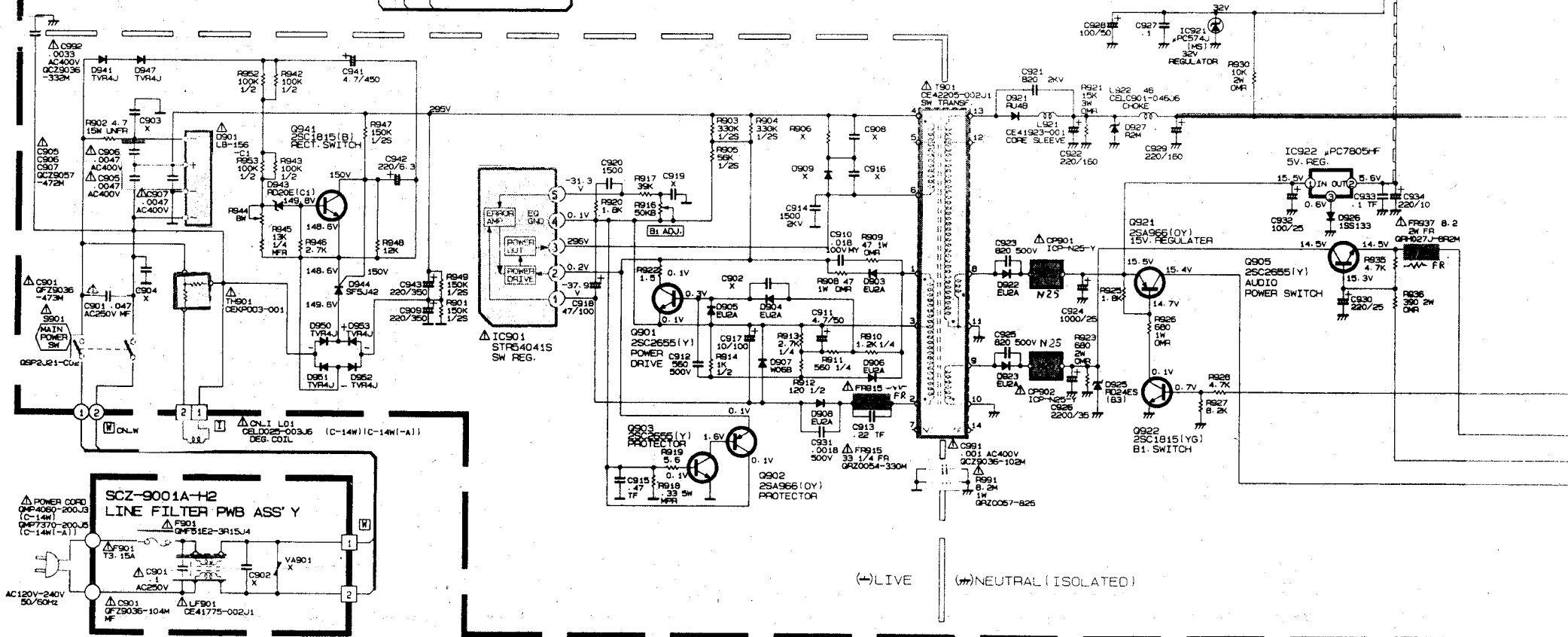
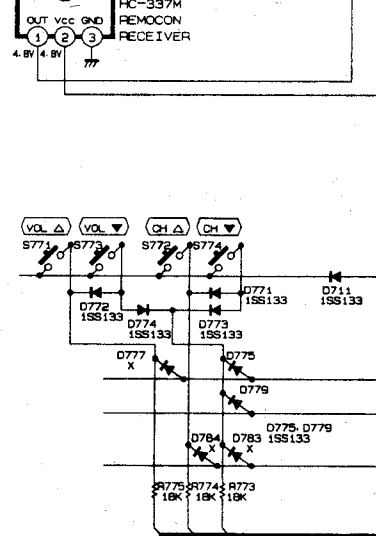


SCZ-1001A-H2
MAIN PWB ASS'Y

C-14W

MAIN PWB, CRT SOCKET PWB, LINE FILTER PWB CIRCUIT DIAGRAMS

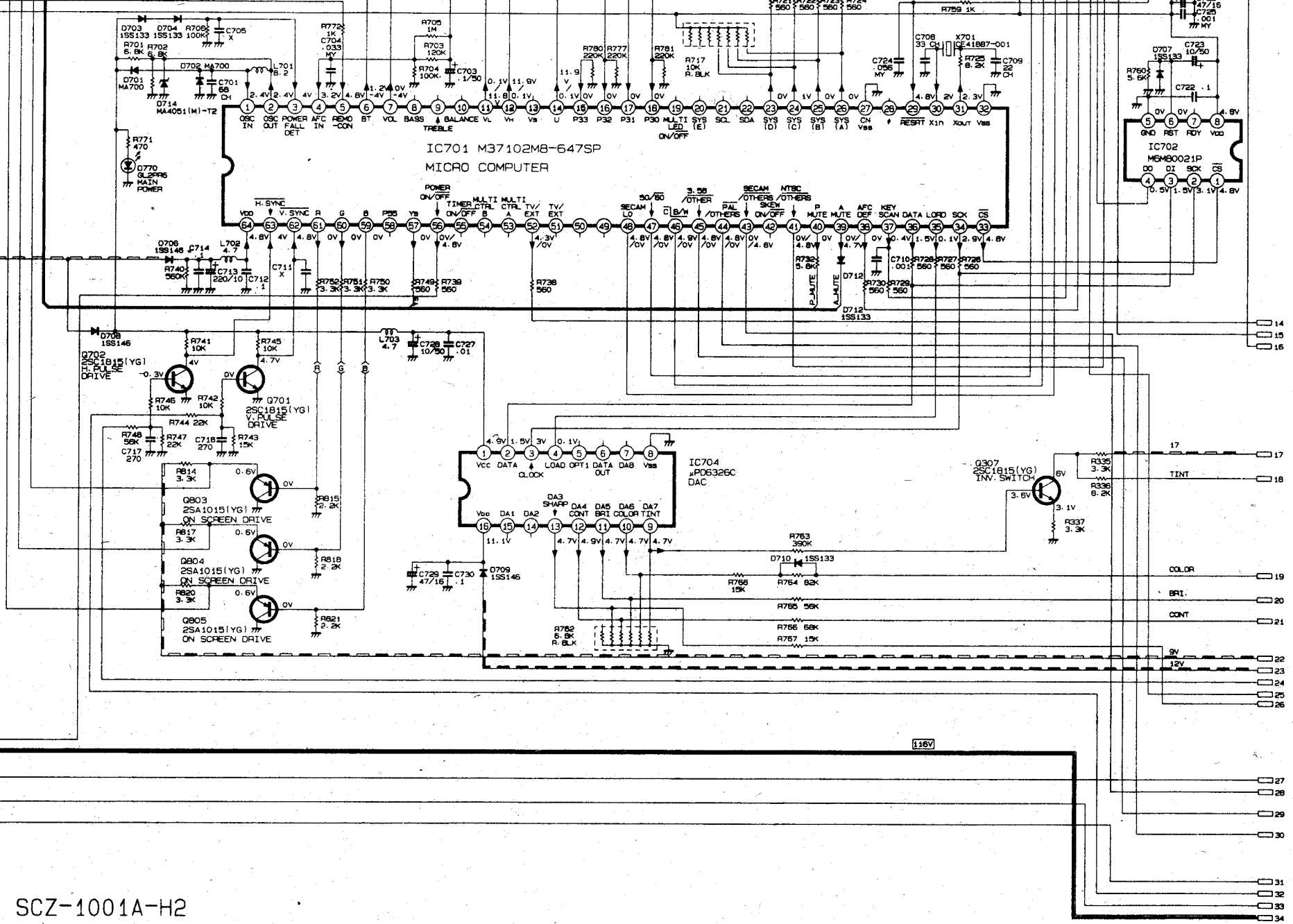




* DIFFERENCES LIST

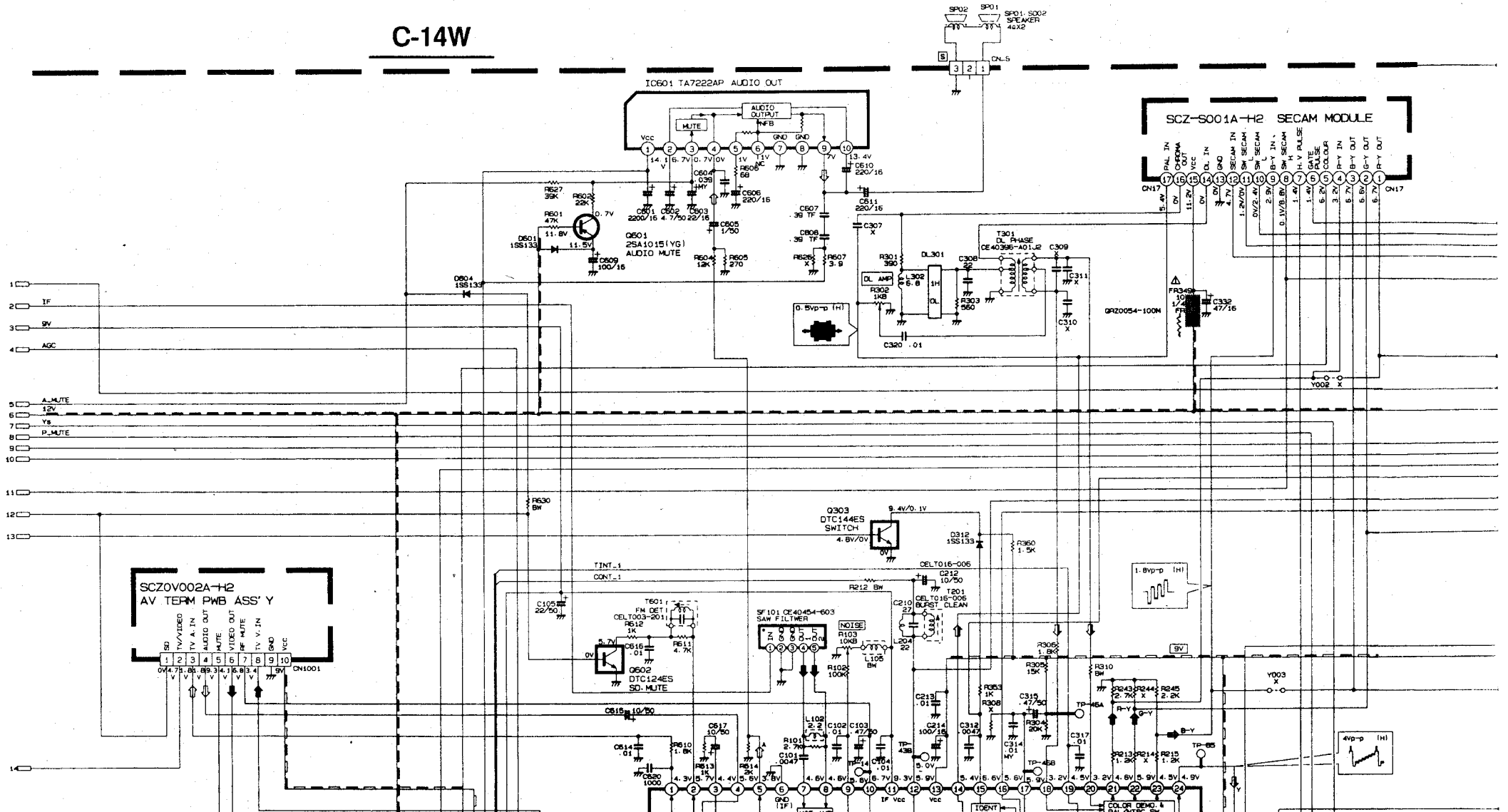
MODEL	POWER CORD
C-14W	QMP4050-200J3
C-14W(-A)	QMP7370-200J5

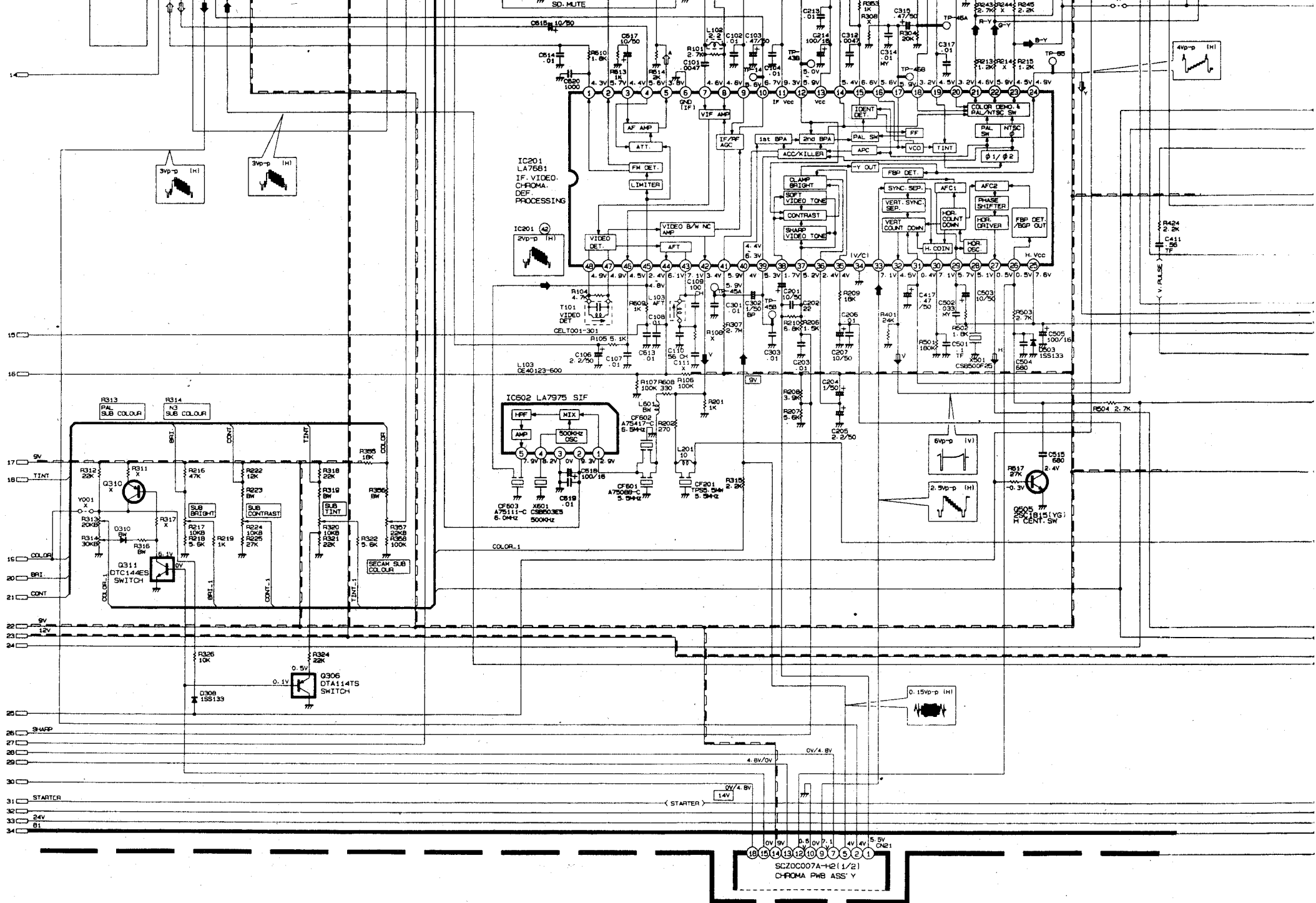
SCZ-1001A-H2
MAIN PWB ASS'Y



NOTES: X - NO PARTS MOUNTING
BW - BUS WIRE

C-14W





SCZ0C007A-H2(2/2)
CHROMA PWB ASS'Y

SECAM MODULU

