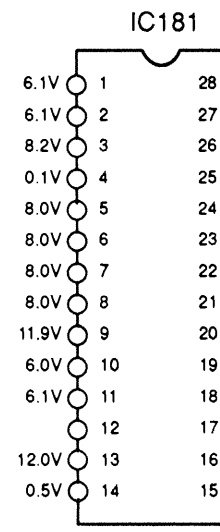


This file is provided FREE OF CHARGE from the
electromaniacs.com community

You are free to distribute this file to other persons
who needs it , but without of charge

Also on <http://electromaniacs.com> you can find
thousands of service manuals , schematics free of
charge

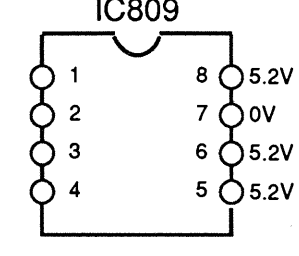




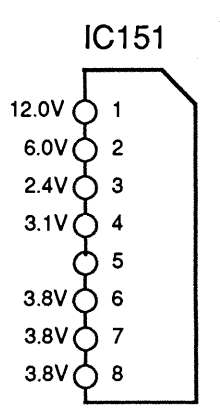
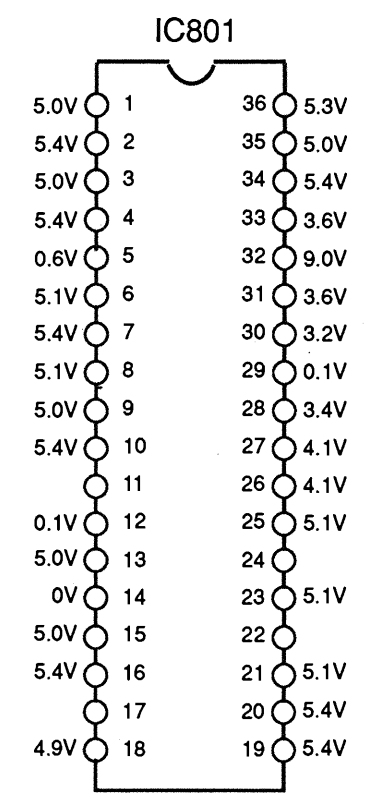
Q307	Q308	Q341
VOLT.	VOLT.	VOLT.
E 5.4V	E 5.4V	E 4.7V
C 12.0V	C 12.0V	C -
B 6.1V	B 6.1V	B 5.4V

Q801	Q802	Q803	Q804
VOLT.	VOLT.	VOLT.	VOLT.
E 4.0V	E 3.7V	E 4.8V	E 4.8V
C 12.0V	C 12.0V	C 9.1V	C 9.1V
B 3.3V	B 0.1V	B 5.4V	B 5.7V

Q806	Q807	Q810
VOLT.	VOLT.	VOLT.
E 4.0V	E 3.9V	E -
C 9.1V	C 9.1V	C 0.1V
B 4.5V	B 4.5V	B 0V



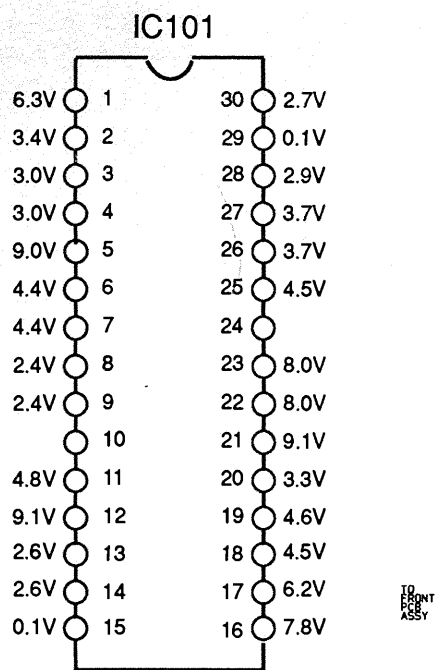
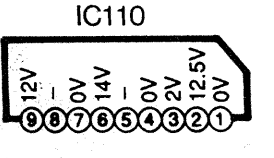
Q881	Q882
VOLT.	VOLT.
E 0V	E 0.7V
C 12.0V	C -
B 0.7V	B 0V



Q834
VOLT.
E 5.4V
C 9.0V
B 6.2V

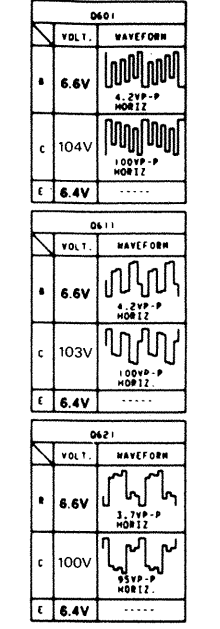
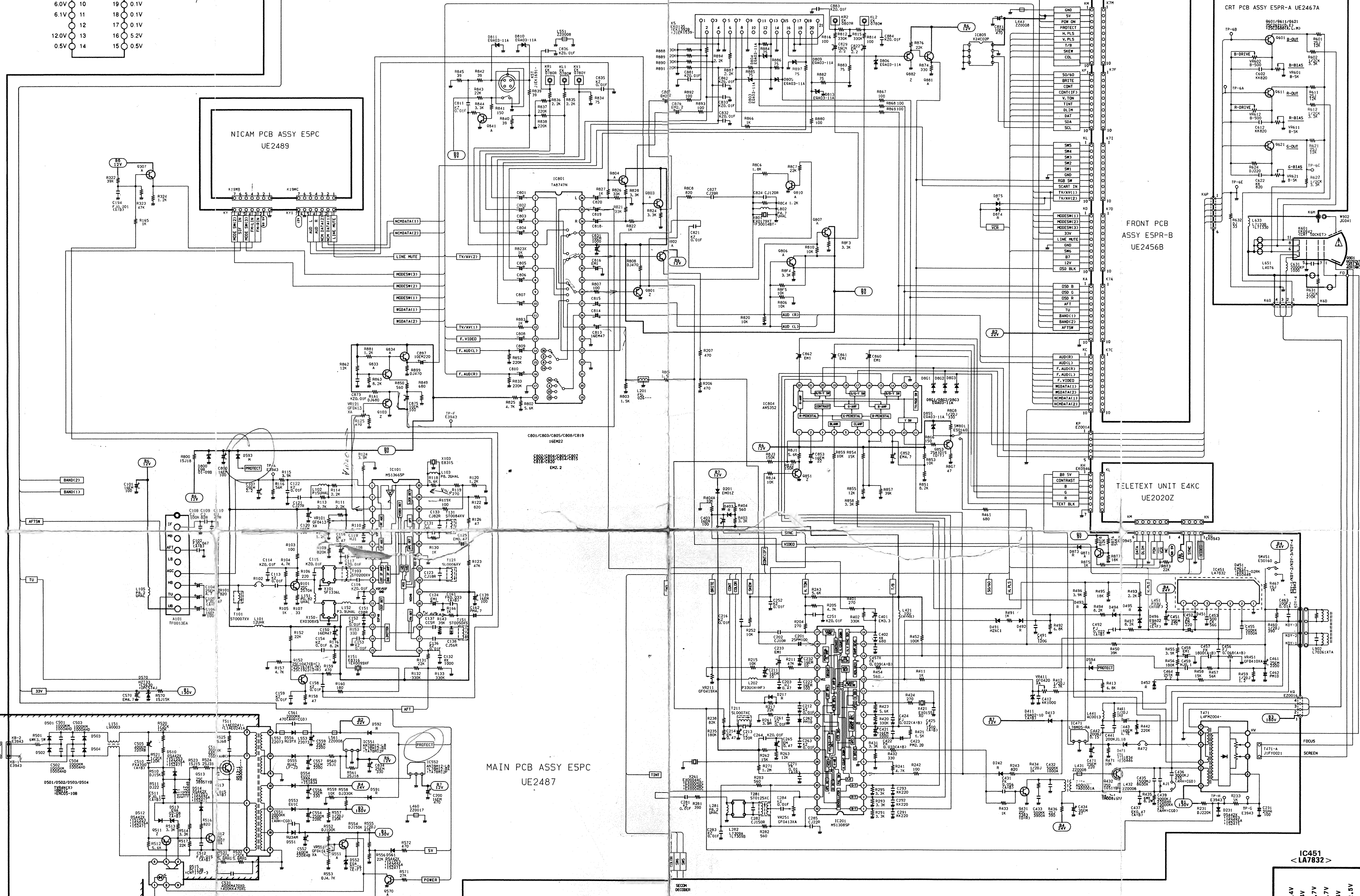
Q33
VOLT.
E 3.0V
C 6.2V
B 3.6V

Q103
VOLT.
E 1.9V
C -
B 1.1V

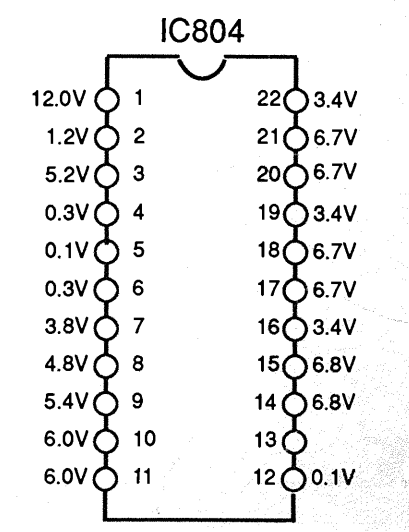


Q152
VOLT.
E 1.1V
C 7.1V
B 0.3V

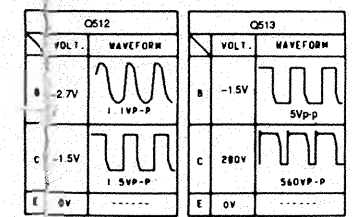
Q101
VOLT.
E 4.0V
C 0.4V
B 1.2V



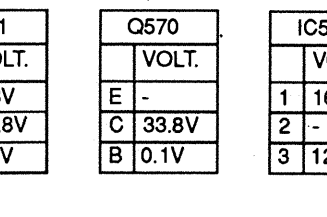
Q851	Q853
VOLT.	VOLT.
E 6.7V	E 6.5V
C 1.0V	C 1.0V
B 6.1V	B 5.9V



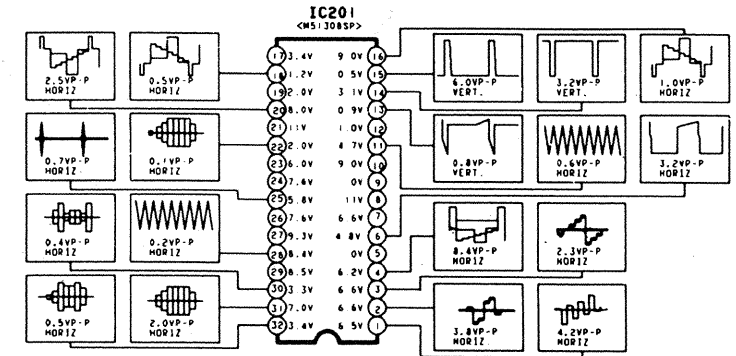
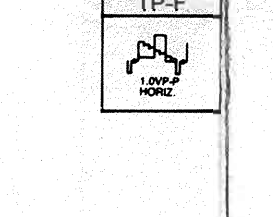
Q511
VOLT.
B 10V
C -0.8V
E 10.8V



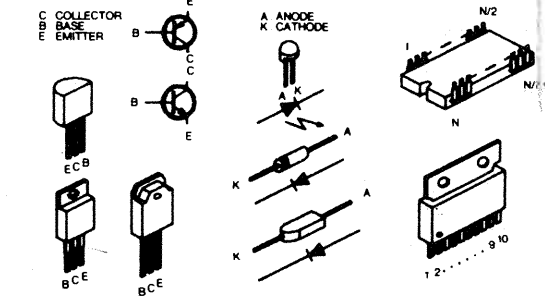
Q551	Q570
VOLT.	VOLT.
E 6.9V	E -
C 33.8V	C 33.8V
B 6.9V	B 0.1V



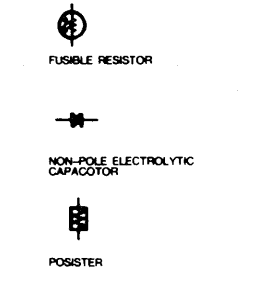
IC551	IC552
VOLT.	VOLT.
1 16.2V	1 16.2V
2 -	2 -
3 12.0V	3 12.0V



TRANSISTOR, DIODE & INTEGRATED CIRCUIT TERMINAL GUIDE



PARTICULAR PARTS SYMBOL



SERVICE PRECAUTION:
The area enclosed by this line is to be disconnected with AC mains voltage when servicing the area. Connect an isolating transformer between TV receiver and AC line to eliminate hazard of electric shock.

PRODUCT SAFETY NOTICE:
PRODUCT SAFETY SHOULD BE CONSIDERED WHEN A COMPONENT REPLACEMENT IS MADE IN ANY AREA OF RECEIVER COMPONENTS INDICATED BY THIS LINE IN THIS CIRCUIT DIAGRAM. COMPONENTS WHOSE VALUE HAVE SPECIAL SIGNIFICANCE TO PRODUCT SAFETY IT IS PARTICULARLY RECOMMENDED THAT ONLY PARTS SPECIFIED ON THE PARTS LIST OF SERVICE MANUAL BE USED FOR COMPONENT REPLACEMENT POINTED OUT BY THIS MARK.

CIRCUIT DIAGRAM NOTES:

- ALL RESISTANCE VALUES ARE IN OHMS, K = 1,000, M = 1,000,000 UNLESS OTHERWISE NOTED.
- ALL RESISTANCE RATED WATTAGES ARE 1/8W UNLESS OTHERWISE NOTED.
- EXCEPT FOR ELECTROLYTIC CAPACITORS, ALL CAPACITANCE VALUES OF LESS THAN 100P ARE EXPRESSED IN P, AND MORE THAN 100P ARE EXPRESSED IN N.
- ALL CAPACITANCE RATED VOLTAGES ARE 50V UNLESS OTHERWISE NOTED.
- ALL INDUCTANCE VALUES ARE IN μH.
- VOLTAGE READINGS TAKEN WITH A "TV" ARE FROM POINT INDICATED TO CHANGE GROUNDING VOLTAGE READINGS TAKEN BY USING A COLOUR BAR SIGNAL ARE WITH ALL CONTROLS AT NORMAL AND AFC SWITCH IN "OFF" POSITION.
- WAVEFORMS WERE TAKEN WITH COLOUR BAR SIGNAL, AND CONTROLS ADJUSTED FOR NORMAL PICTURE. WAVEFORMS WERE TAKEN BY USING A WIDE BAND OSCILLOSCOPE AND A LOW CAPACITY PROBE.
- VOLTAGE AND WAVEFORM VALUES OF TRANSISTORS IN THE AREA ENCLOSED BY LINE - - - ARE MEASURED TO READ THE ELECTRIC POTENTIAL AT PIN 3 OF T211.
- THIS CIRCUIT DIAGRAM COVERS A BASIC OR REPRESENTATIVE CHASSIS ONLY. THERE MAY BE SOME COMPONENTS OR PARTIAL CIRCUIT DIFFERENCES BETWEEN THE ACTUAL CHASSIS AND THE CIRCUIT DIAGRAM.

EXPRESSION OF CAPACITANCE AND RESISTANCE IN CIRCUIT DIAGRAM

CAPACITANCE (Example)

1000 C	M	2200 D
Characteristic	Capacitance value (2200pF)	± tolerance
-	-	± 10%
-	-	± 20%
-	-	± 5%

RESISTANCE (Example)

1/2 N	J	1/2
Resistance value (1.2Ω)	± tolerance	± tolerance
-	-	± 1%
-	-	± 5%
-	-	± 10%

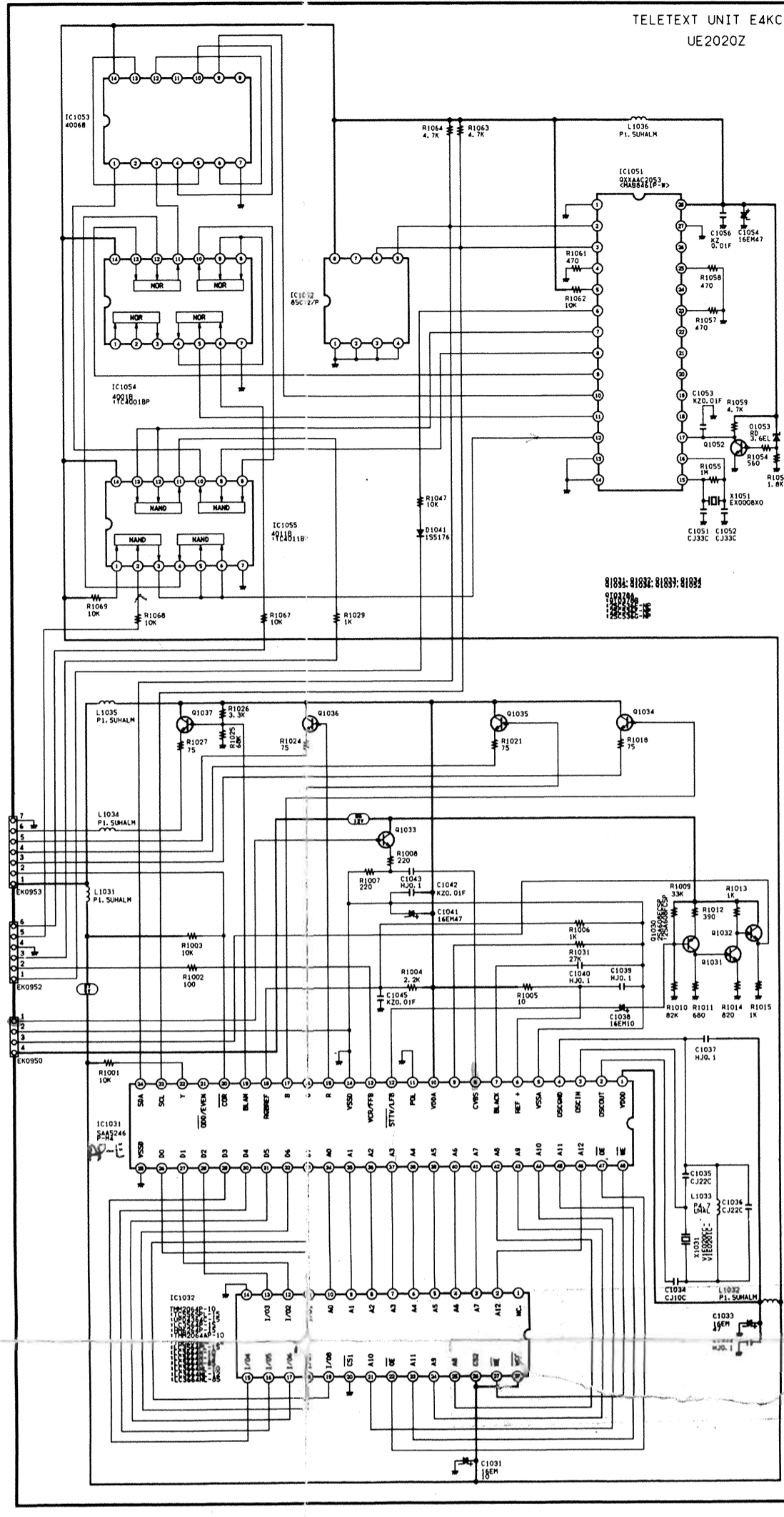
OTHERWISE NOTED:

TRANSISTOR 2SC35E (E, F, G) MAY BE REPLACED WITH 2SC1740S (D, S), 2SC1740 (D, R, S), 2SC35A (D, R, P) OR 2SC1819 (D, V) UNLESS OTHERWISE NOTED.

TRANSISTOR 2SA80E (E, V) MAY BE REPLACED WITH 2SA83 (D, M), 2SA84 (D, M) OR 2SA1019 (D, V) UNLESS OTHERWISE NOTED.

COLOUR TELEVISION
SANYO A5-A CHASSIS SERIES
SERVICE REF. NO. **CBP2180 - 00**

TELETEXT UNIT E4KC
UE2020Z



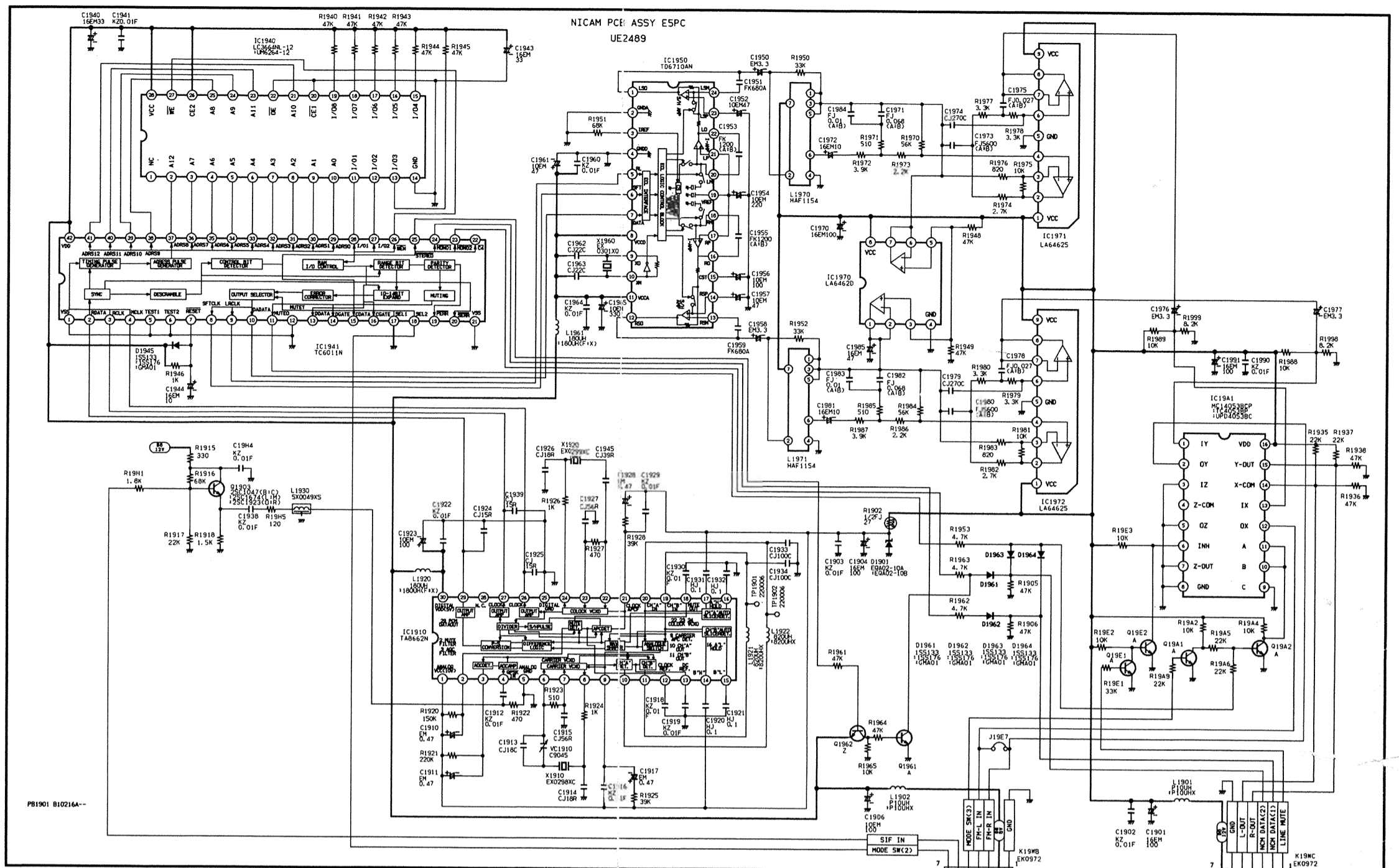
4.8V	1	40	0.8V
0.8V	2	39	3.6V
0.8V	3	38	3.6V
2.7V	4	37	2.0V
4.2V	5	36	0.2V
0.8V	6	35	3.2V
4.2V	7	34	1.2V
0.2V	8	33	1.1V
0.2V	9	32	3.0V
0.2V	10	31	0.1V
3.7V	11	30	3.0V
3.0V	12	29	0.1V
0.2V	13	28	0.1V
0.2V	14	27	3.1V
3.4V	15	26	0.1V
4.8V	16	25	0.1V
1.0V	17	24	0.2V
0.1V	18	23	0.2V
3.0V	19	22	0.2V
2.9V	20	21	0V

0V	1	8	4.8V
0V	2	7	1.3V
0V	3	6	3.0V
0V	4	5	2.8V
0V	5	4	0.2V

01032	VOLT.	01051	VOLT.
B	0.2V	B	4.0V
C	4.8V	C	2.2V
E	0V	E	4.2V

01041	VOLT.	01033	VOLT.
B	2.6V	B	0.2V
C	4.6V	C	4.8V
E	1.9V	E	0V

01052	VOLT.	01031	VOLT.
B	0.7V	B	0.3V
C	0V	C	4.8V
E	0V	E	0V



IC701

OSD Oscillator (5MHz) OCS1
V - SYNC (50/60Hz Detect) P36
AFT S - Curve Input AD1
Remote Control IR Input R11
Tung Voltage Output DA
AFT Defeat Output PWM0
Volume Control Output PWM1
Band Switch P62
System Switch 1 P84
System Switch 2 P85
System Switch 3 P86
System Switch 4 P87
System Switch 5 P33
Time Base Output P32
50/60Hz Output P31
Slow ON/OFF P30
Over Load Detect Input SPDY2
RGB ON/OFF PWM9
FC BUS SCL P45
FC BUS SDA P44
UPD6326 LOAD P43
TEXT (PH/DUM/TEXT) P42
PH/DUM/TEXT/CLK P41
UPD6326/TEXT (TEXT) P40
GND CNV.
Reset Input RESET
CPU Clock Oscillator
GND Vcc

H - SYNC Horizontal Sync. Pulse (OSD)
V - SYNC Vertical Sync. Pulse (OSD)
R OSD R Output
G OSD G Output
B OSD B Output
OUT OSD Blanking Output
P00 Key Input 1
P01 Key Input 2
P02 Key Input 3
P03 Key Input 4
P04 Key Output 1
P05 Key Output 2
P06 Key Output 3
P07 Key Output 4
P08 Key Output 5
P10
P11
P12 Line Mute
P13 Sound Mute
P14 A2 (ST) Detect Input
P15 A2 (BL) Detect Input
P16 NICAM Detect Input
P17 NICAM Detect Input
P20
P21 Stereo/Mono Switching
P22
P23 SCART 8Pin Input
P24 TV/AV Switching 2
P25 TV/AV Switching 1
P26
P27 Power ON/OFF

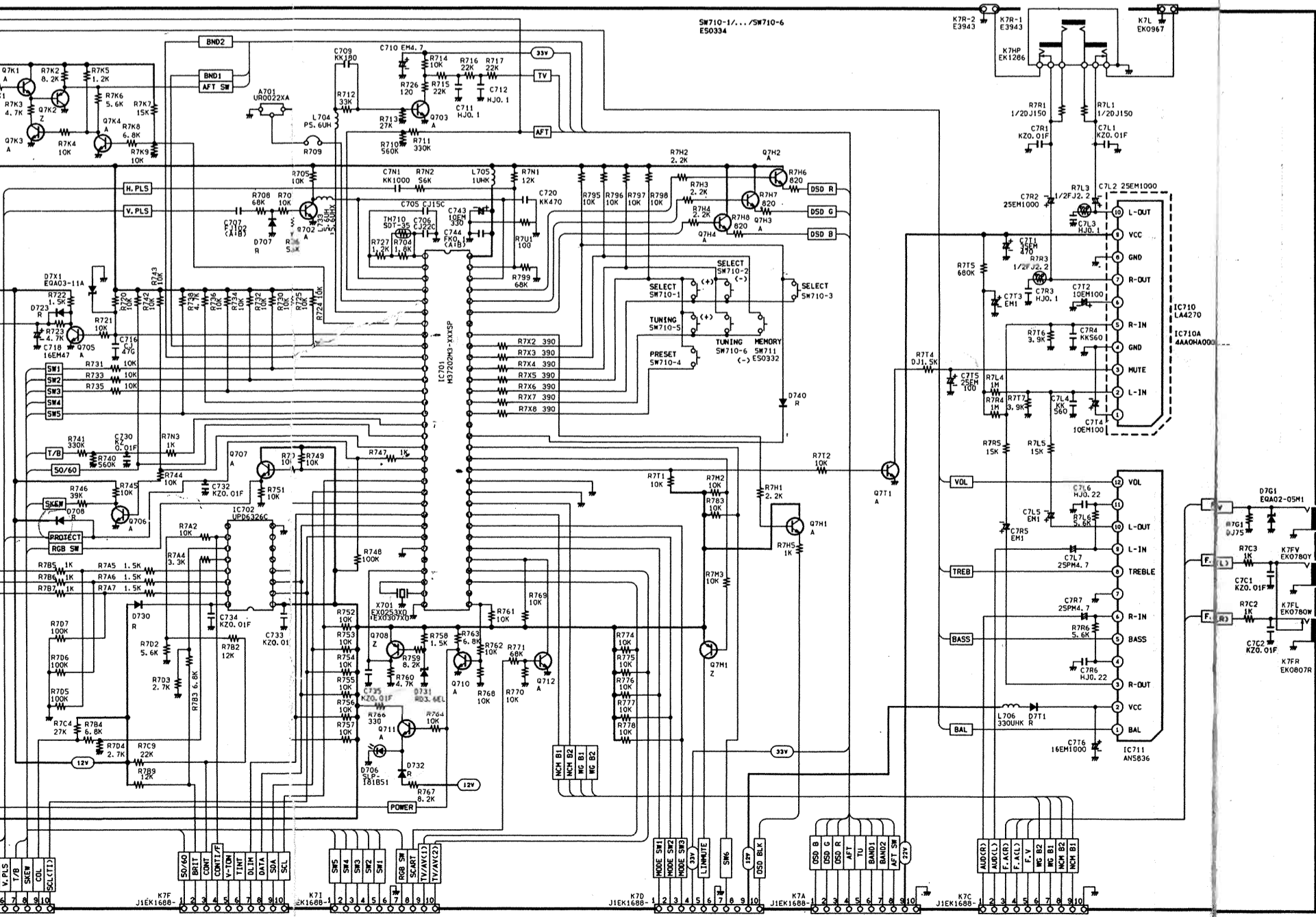
Q703	VOLT.	Q702	VOLT.
E	-	E	-
C	4.3V	C	5.1V
B	1.9V	B	1.1V

Q7K1	VOLT.	Q7K2	VOLT.	Q7K3	VOLT.	Q7K4	VOLT.
E	6.9V	E	0.1V	E	-	E	-
C	12.1V	C	-	C	0.1V	C	0.1V
B	7.5V	B	6.9V	B	0.8V	B	0.1V

Q706	VOLT.	Q705	VOLT.
E	0.1V	E	-
C	0.1V	C	0.2V
B	0.7V	B	0.7V

Q707	VOLT.
E	0.1V
C	5.1V
B	5.1V

Q701	VOLT.
E	5.1V
C	17.8V
B	5.8V



Q708	VOLT.	Q710	VOLT.	Q711	VOLT.	Q712	VOLT.	Q7M1	VOLT.	Q7H1	VOLT.
E	5V	E	0V	E	1.9V	E	-	E	5.1V	E	0V
C	5.1V	C	0V	C	5.1V	C	0.1V	C	0.1V	C	5.1V
B	0.0V	B	0.7V	B	0.0V	B	0.1V	B	0.1V	B	0.1V

IC710	1	2	3	4	5	6	7	8	9	10
0.8V	0.8V	0.8V	0.8V	0.8V	0.8V	0.8V	0.8V	0.8V	0.8V	0.8V
0.8V	0.8V	0.8V	0.8V	0.8V	0.8V	0.8V	0.8V	0.8V	0.8V	0.8V
0.8V	0.8V	0.8V	0.8V	0.8V	0.8V	0.8V	0.8V	0.8V	0.8V	0.8V
0.8V	0.8V	0.8V	0.8V	0.8V	0.8V	0.8V	0.8V	0.8V	0.8V	0.8V

IC7H2	VOLT.	IC7H3	VOLT.	IC7H4	VOLT.	IC7H1	VOLT.
E	0.1V	E	0.1V	E	0.1V	E	0.1V
C	5.1V	C	5.1V	C	5.1V	C	11.4V
B	0.1V	B	0.1V	B	0.1V	B	0.1V