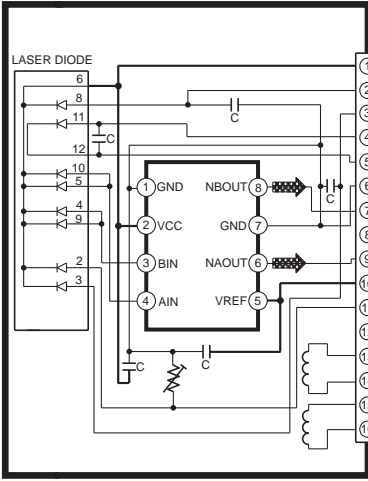


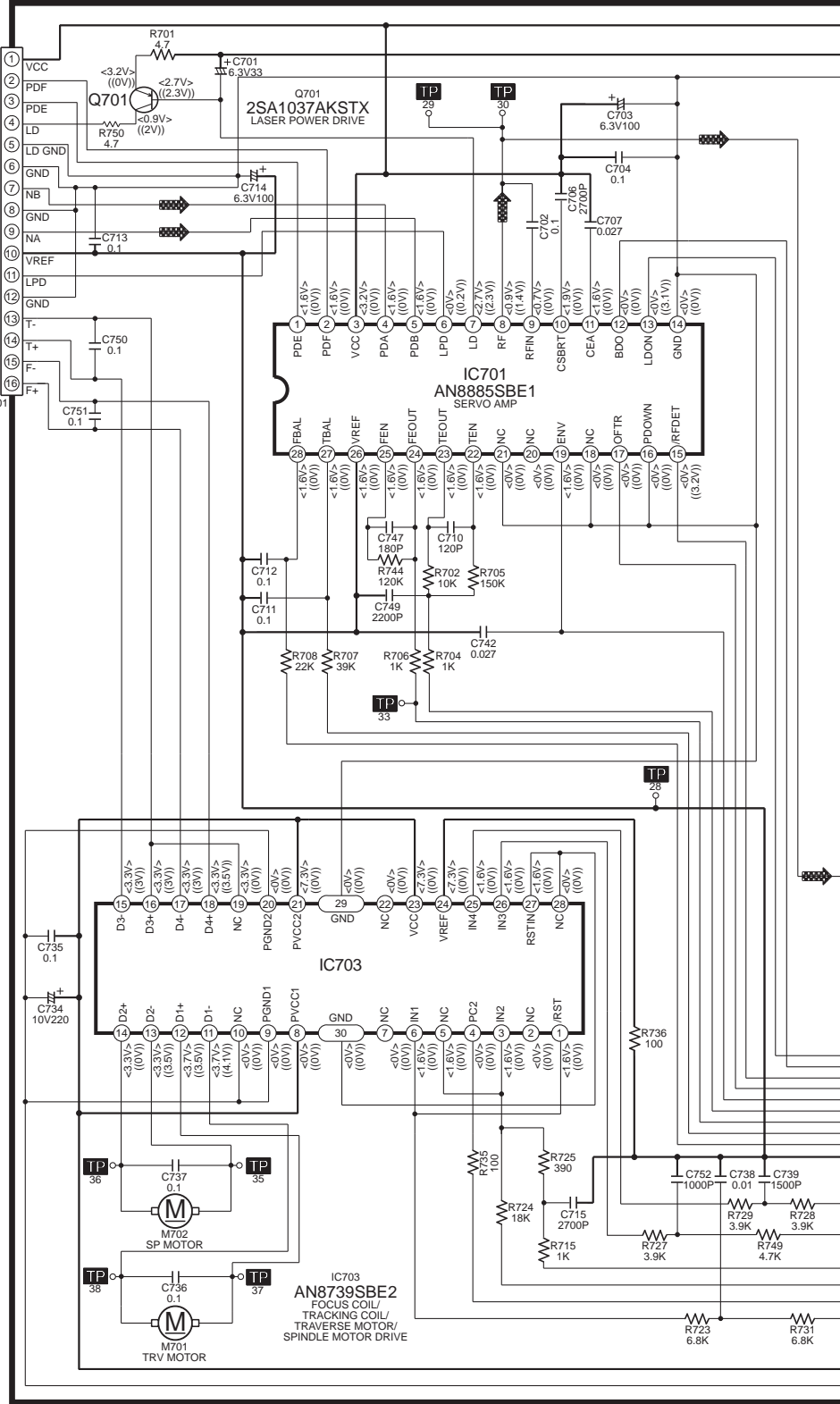
SCHEMATIC DIAGRAM -1

OPTICAL PICKUP CIRCUIT



**A** CD SERVO CIRCUIT

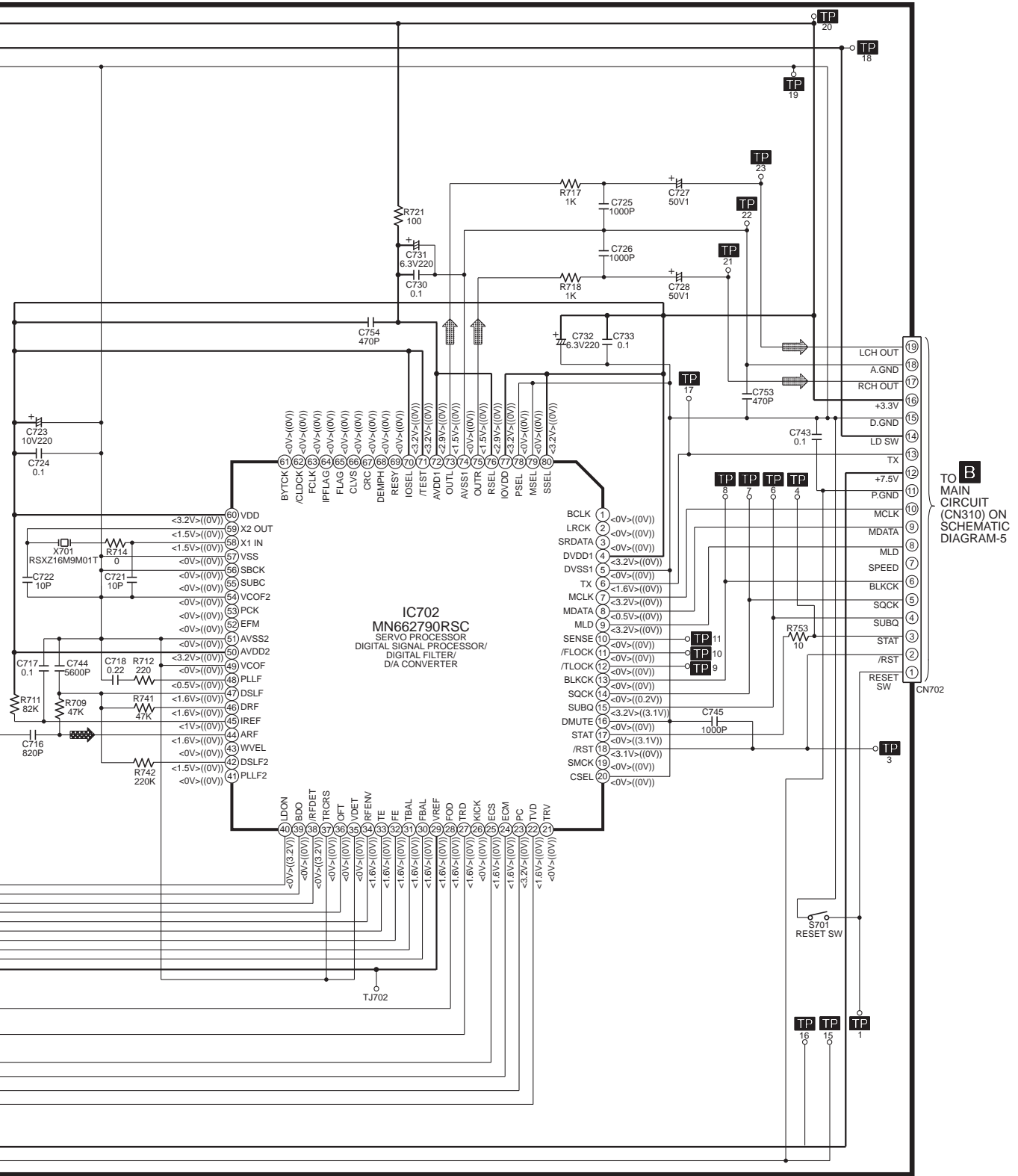
— : +B SIGNAL LINE    : CD-DA SIGNAL LINE



# SCHEMATIC DIAGRAM - 2

— : +B SIGNAL LINE     : CD-DA SIGNAL LINE     : CD SIGNAL LINE

## A CD SERVO CIRCUIT

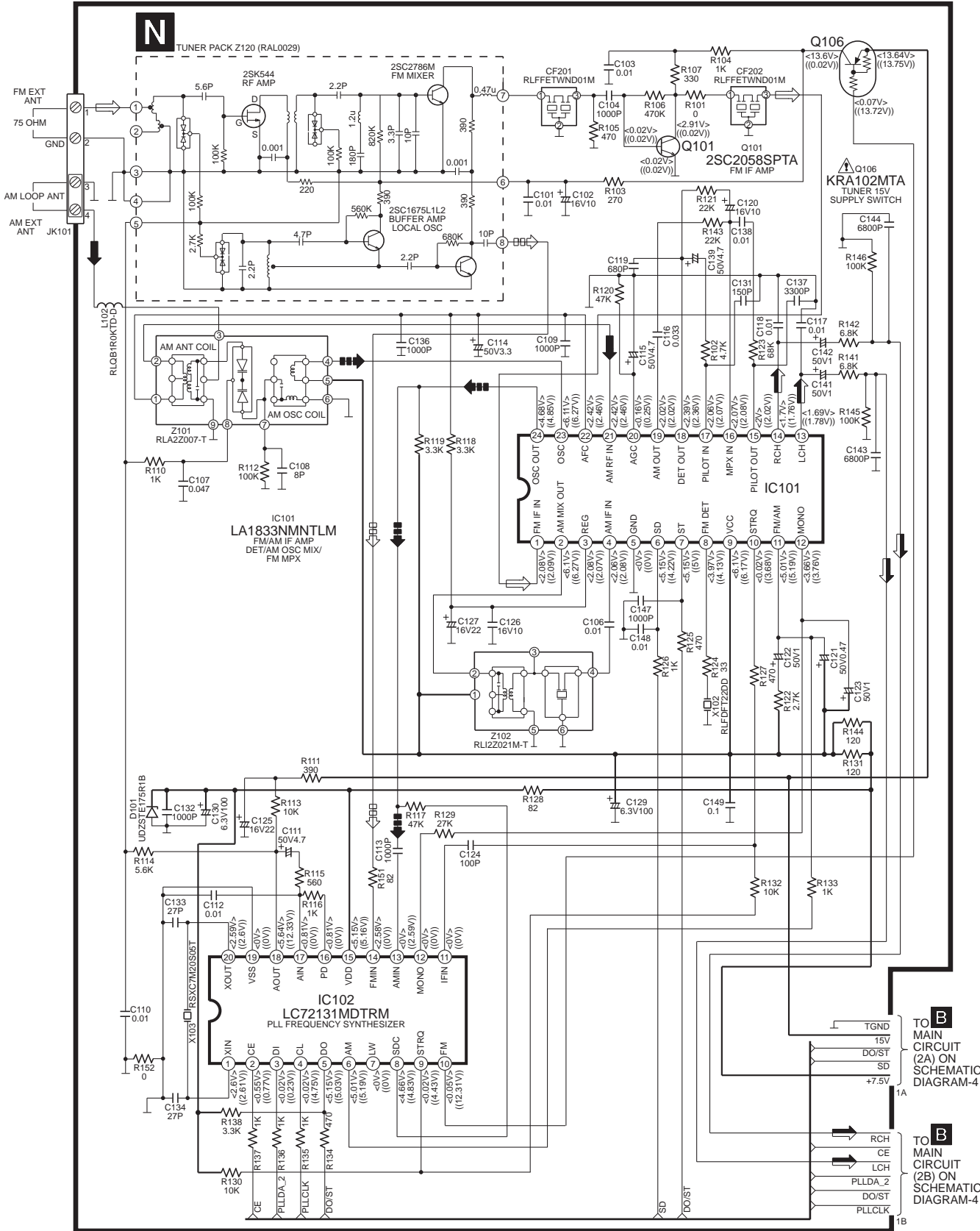


**B**  
 TO MAIN  
 CIRCUIT  
 (CN310) ON  
 SCHEMATIC  
 DIAGRAM-5

# SCHEMATIC DIAGRAM - 3

- : +B SIGNAL LINE
- : FM SIGNAL LINE
- : AM SIGNAL LINE
- : FM/AM SIGNAL LINE
- : FM OSC SIGNAL LINE
- : AM OSC SIGNAL LINE

## TUNER/MAIN CIRCUIT



TO MAIN CIRCUIT (2A) ON SCHEMATIC DIAGRAM-4

TO MAIN CIRCUIT (2B) ON SCHEMATIC DIAGRAM-4

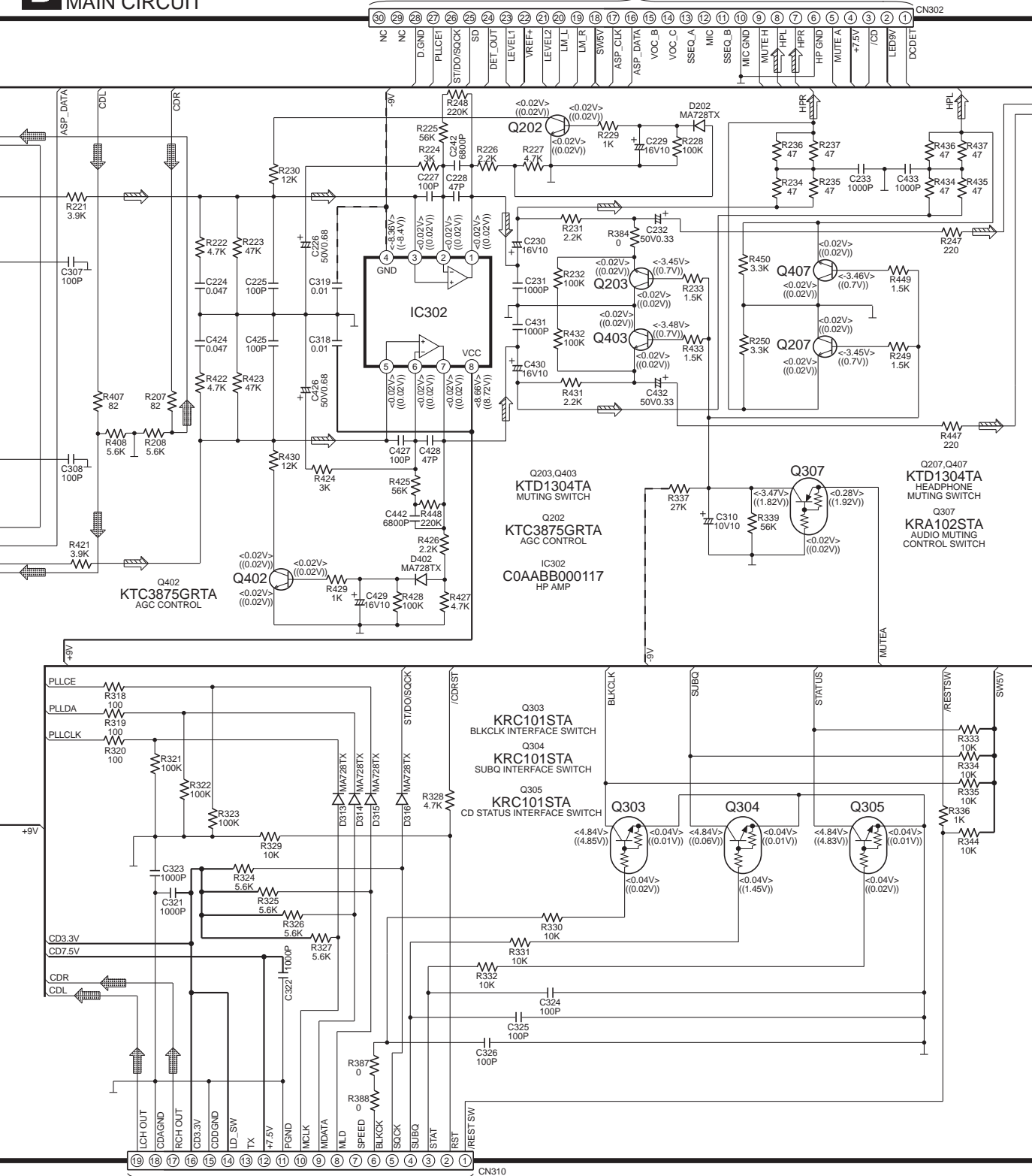


# SCHEMATIC DIAGRAM - 5

— : +B SIGNAL LINE     : CD SIGNAL LINE  
 - - : -B SIGNAL LINE     : MAIN SIGNAL LINE

## B MAIN CIRCUIT

TO **C**  
 PANEL CIRCUIT  
 (CP600) ON  
 SCHEMATIC DIAGRAM-9

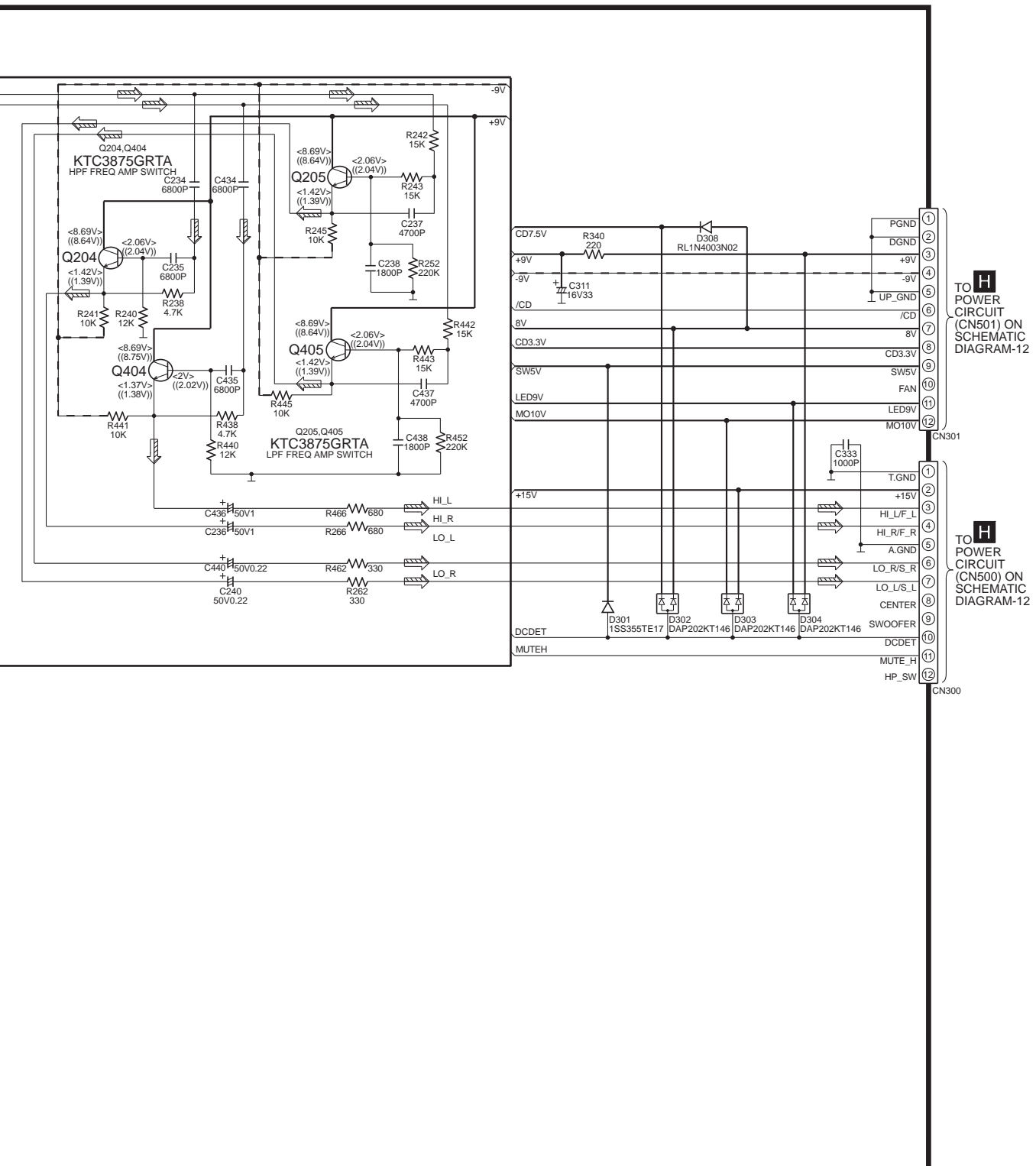


TO **A**  
 SERVO CIRCUIT  
 (CN702) ON  
 SCHEMATIC DIAGRAM-2

# SCHEMATIC DIAGRAM - 6

— : +B SIGNAL LINE    - - : -B SIGNAL LINE    ⇨ : MAIN SIGNAL LINE

## B MAIN CIRCUIT



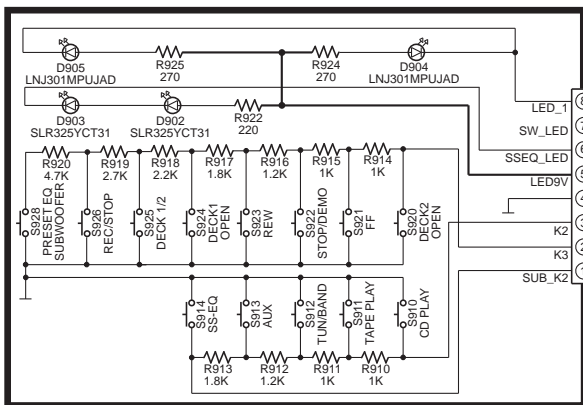
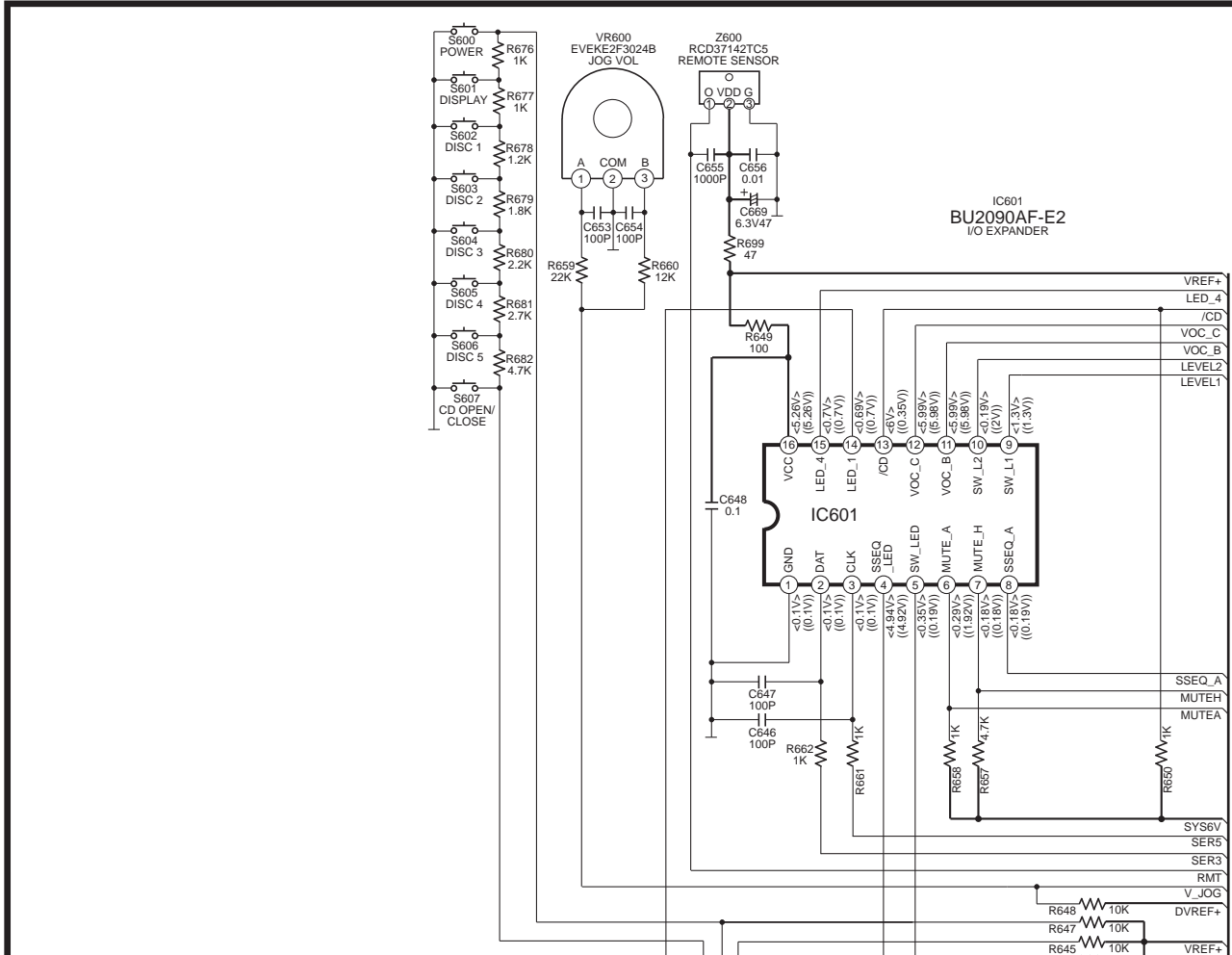
TO POWER CIRCUIT (CN501) ON SCHEMATIC DIAGRAM-12

TO POWER CIRCUIT (CN500) ON SCHEMATIC DIAGRAM-12

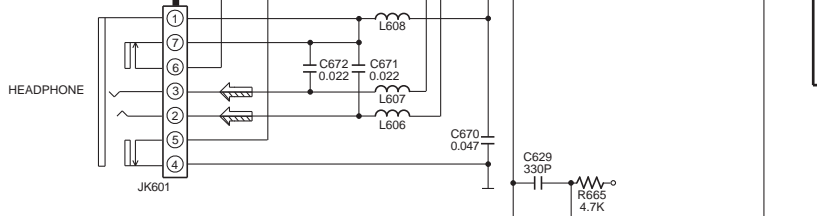
# SCHEMATIC DIAGRAM - 7

— : +B SIGNAL LINE    ⇨ : MAIN SIGNAL LINE

## C PANEL CIRCUIT



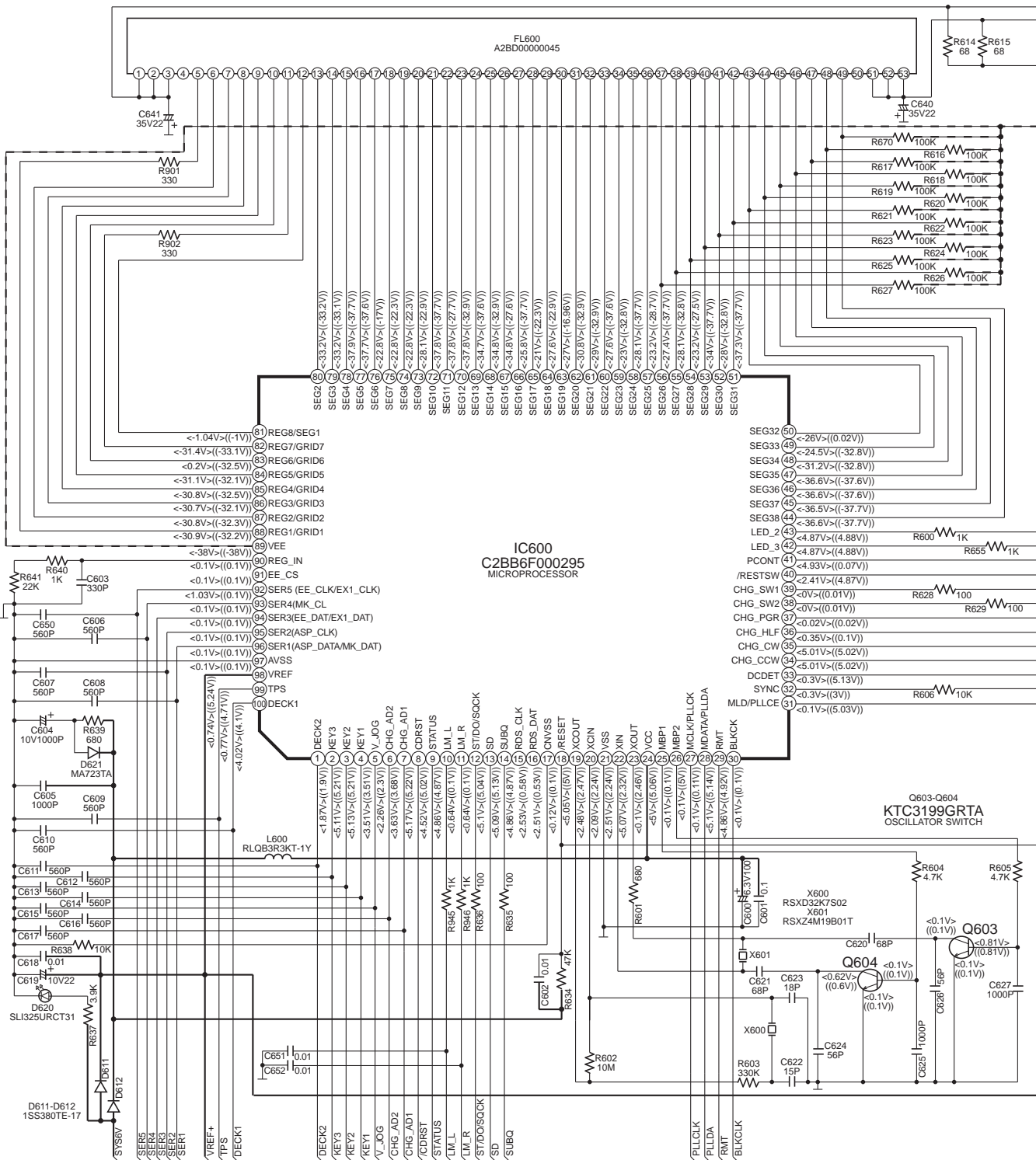
## D TACT SWITCH CIRCUIT



SCHEMATIC DIAGRAM - 8

C PANEL CIRCUIT

— : +B SIGNAL LINE    - - - : -B SIGNAL LINE

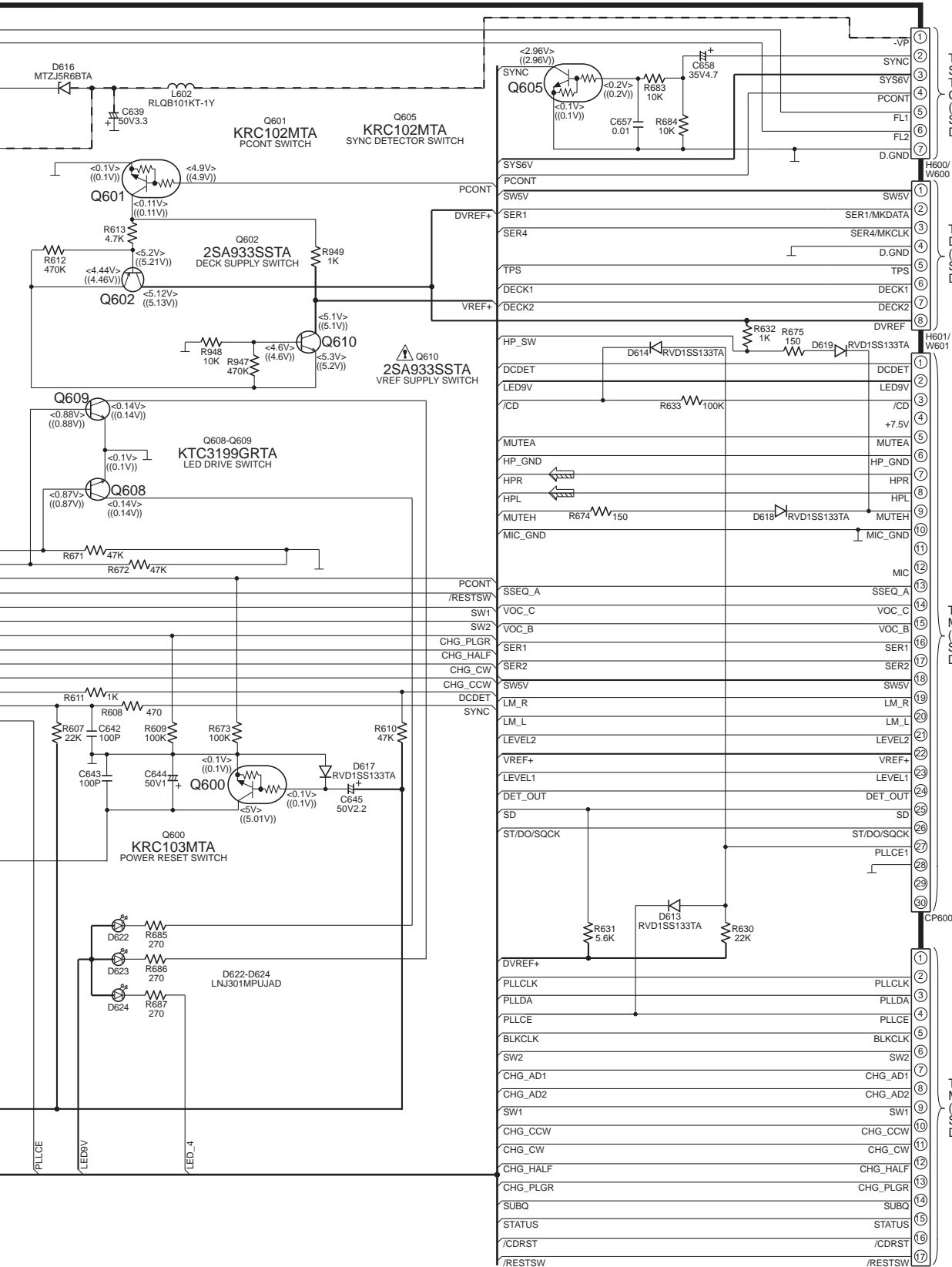




# SCHEMATIC DIAGRAM - 9

— : +B SIGNAL LINE    - - - : -B SIGNAL LINE    ⇨ : MAIN SIGNAL LINE

## C PANEL CIRCUIT



**I** TO SPEAKER TERMINAL CIRCUIT (CN952) ON SCHEMATIC DIAGRAM-13

**E** TO DECK CIRCUIT (CN1001) ON SCHEMATIC DIAGRAM-11

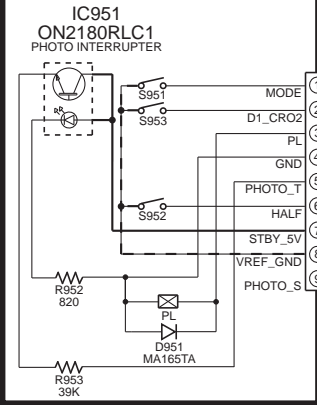
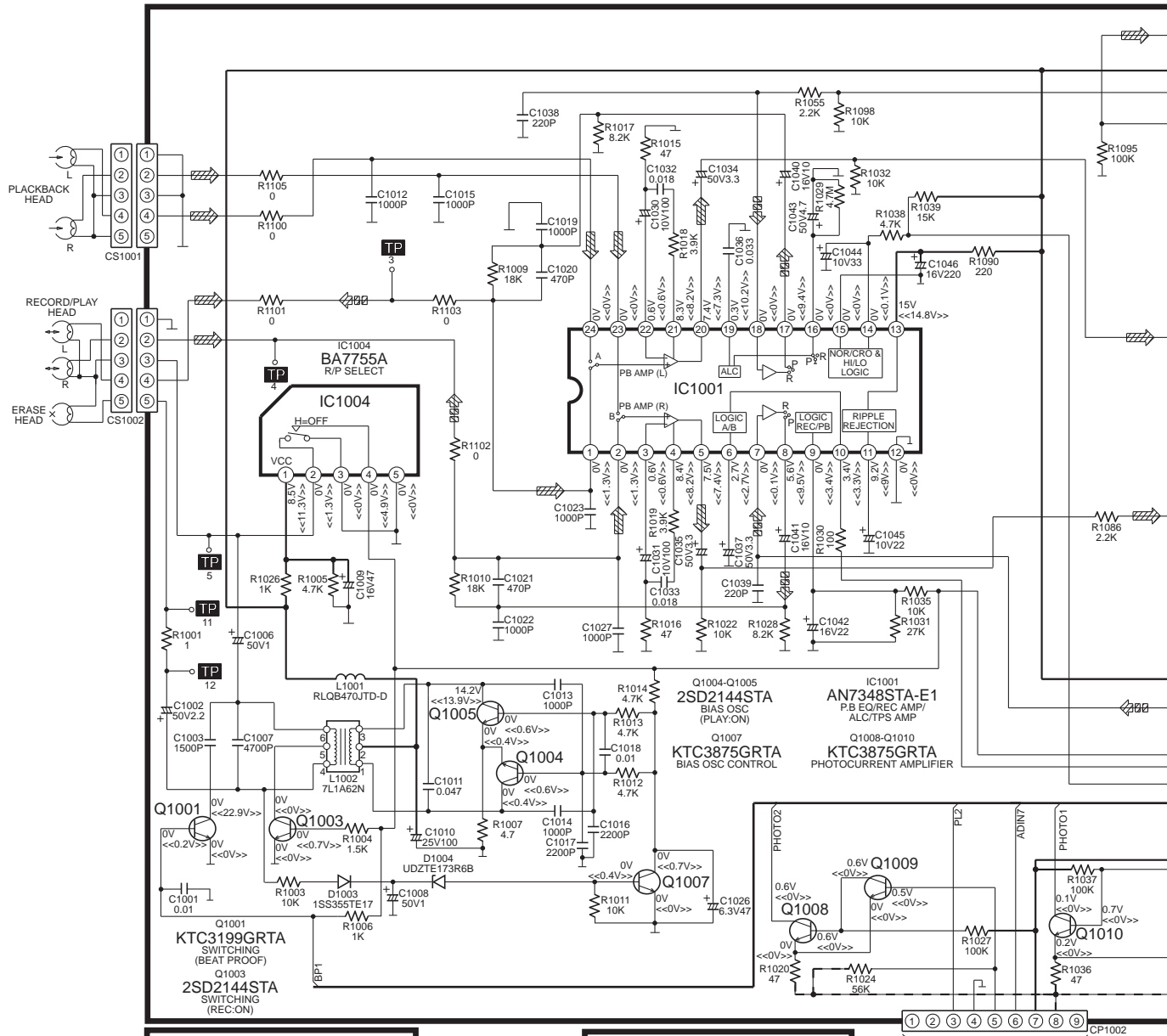
**B** TO MAIN CIRCUIT (CN302) ON SCHEMATIC DIAGRAM-5

**B** TO MAIN CIRCUIT (CN303) ON SCHEMATIC DIAGRAM-4

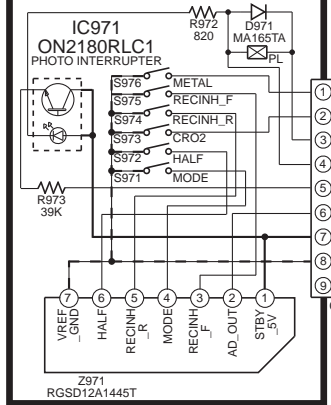
# SCHEMATIC DIAGRAM - 10

— : +B SIGNAL LINE  
 --- : -B SIGNAL LINE  
 : PLAYBACK SIGNAL LINE  
 : RECORD SIGNAL LINE

## E DECK CIRCUIT



**F** MECHANISM CIRCUIT (DECK 1)



**G** MECHANISM CIRCUIT (DECK 2)

TO MECHANISM CIRCUIT (CS971) ON SCHEMATIC DIAGRAM-10

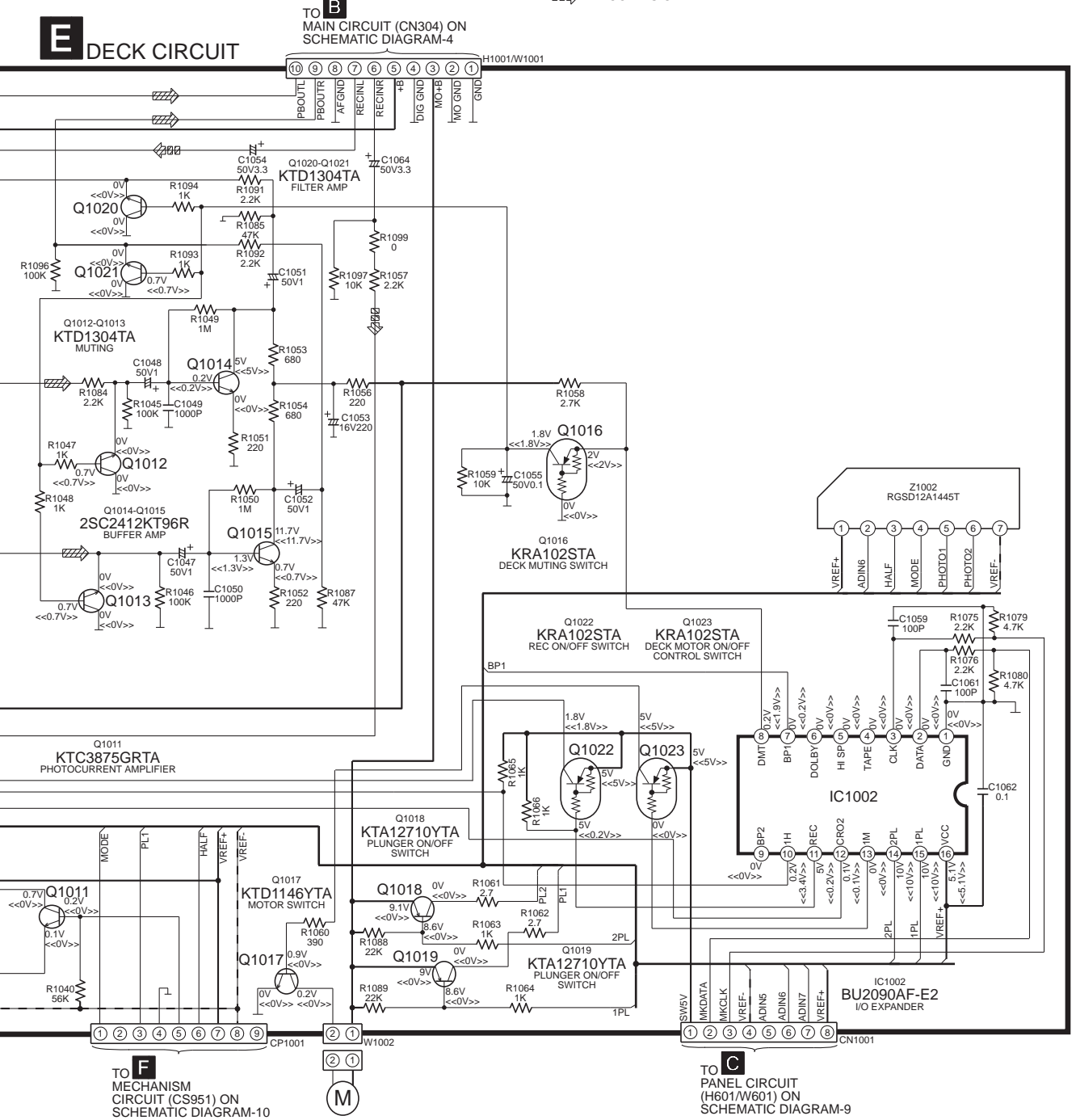
TO DECK CIRCUIT (CP1001) ON SCHEMATIC DIAGRAM-11

TO DECK CIRCUIT (CP1002) ON SCHEMATIC DIAGRAM-10

# SCHEMATIC DIAGRAM - 11

## E DECK CIRCUIT

- : +B SIGNAL LINE
- : -B SIGNAL LINE
- ▨ : PLAYBACK SIGNAL LINE
- ⊞ : RECORD SIGNAL LINE

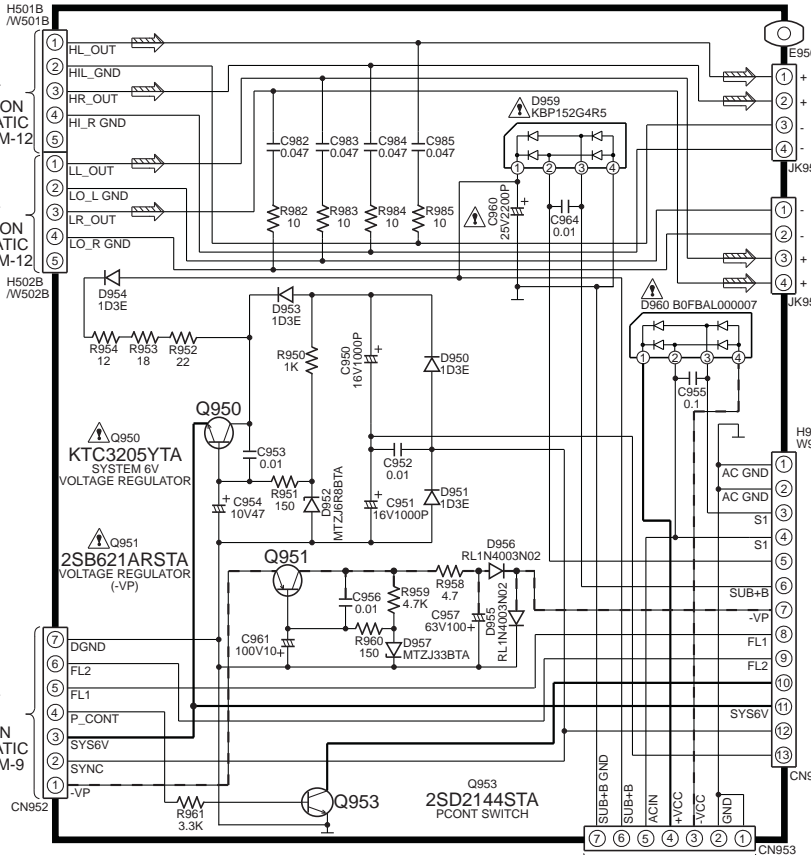




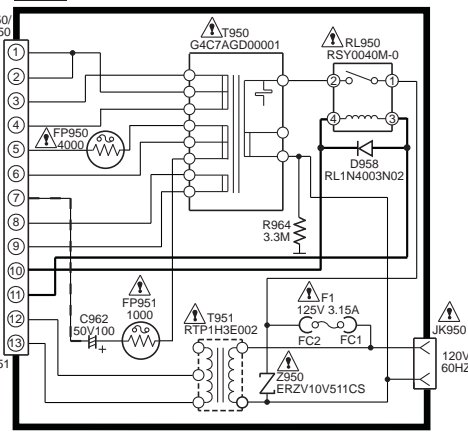
# SCHEMATIC DIAGRAM - 13

— : +B SIGNAL LINE    - - - : -B SIGNAL LINE    ⇨ : MAIN SIGNAL LINE

## I SPEAKER TERMINAL CIRCUIT



## J SUB TRANSFORMER CIRCUIT



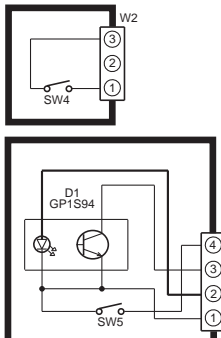
TO H POWER CIRCUIT (H501A) ON SCHEMATIC DIAGRAM-12

TO H POWER CIRCUIT (H502A) ON SCHEMATIC DIAGRAM-12

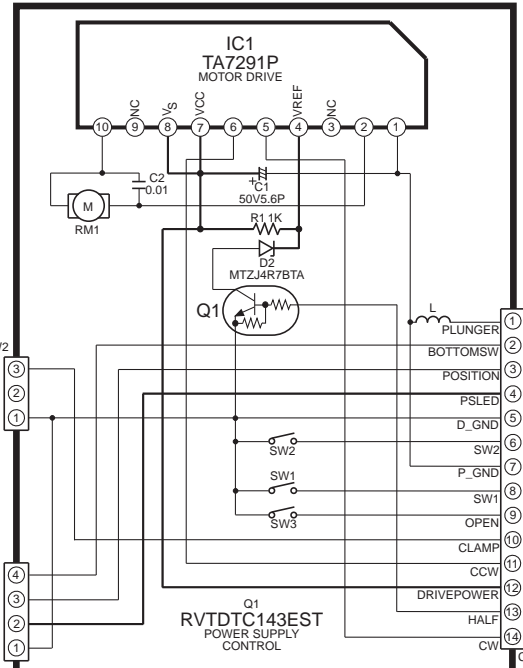
TO C PANEL CIRCUIT (H600/W600) ON SCHEMATIC DIAGRAM-9

TO H POWER CIRCUIT (H500/W500) ON SCHEMATIC DIAGRAM-12

## L CD DETECT CIRCUIT



## M SPINDLE POSITION CIRCUIT



## K CD LOADING CIRCUIT

TO B MAIN CIRCUIT (CN309) ON SCHEMATIC DIAGRAM-4