

D

C

B

A

D

C

B

A

8

7

6

5

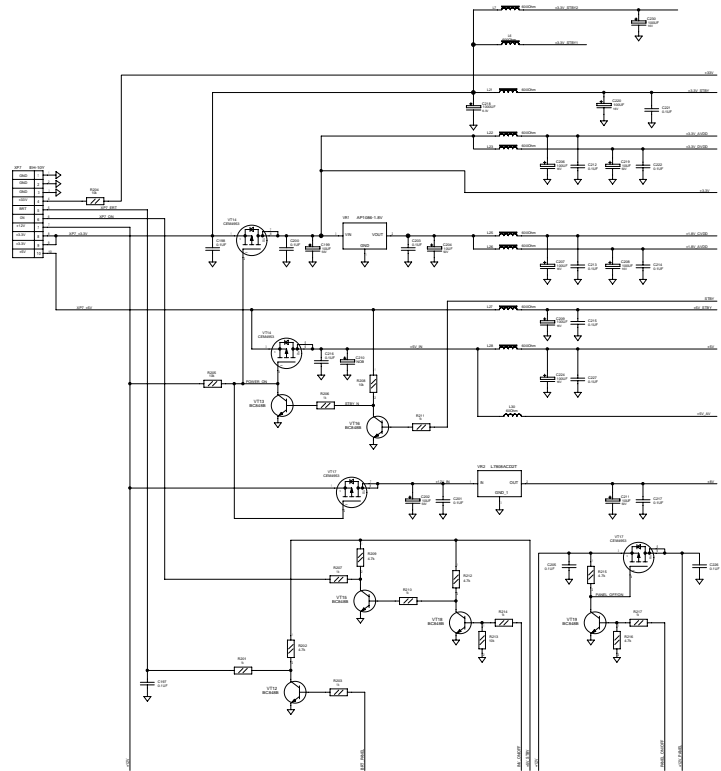
4

3

2

1

REVISIONS				
DATE	BY	DESCRIPTION	DATE	APPROVED



CADENCE DESIGN SYSTEMS, INC. 	DRAWING TITLE		
	TV MODULE		
<small>THIS DOCUMENT CONTAINS UNCLASSIFIED INFORMATION EXCEPT WHERE SHOWN OTHERWISE. IT IS THE PROPERTY OF CADENCE DESIGN SYSTEMS, INC. AND IS NOT TO BE REPRODUCED OR TRANSMITTED IN ANY FORM OR BY ANY MEANS, ELECTRONIC OR MECHANICAL, INCLUDING PHOTOCOPYING, RECORDING, OR BY ANY INFORMATION STORAGE AND RETRIEVAL SYSTEM.</small>	REV. A	DRAWING NO.	200501
BOLD	SHEET	1	2 OF 1

8

7

6

5

4

3

2

1