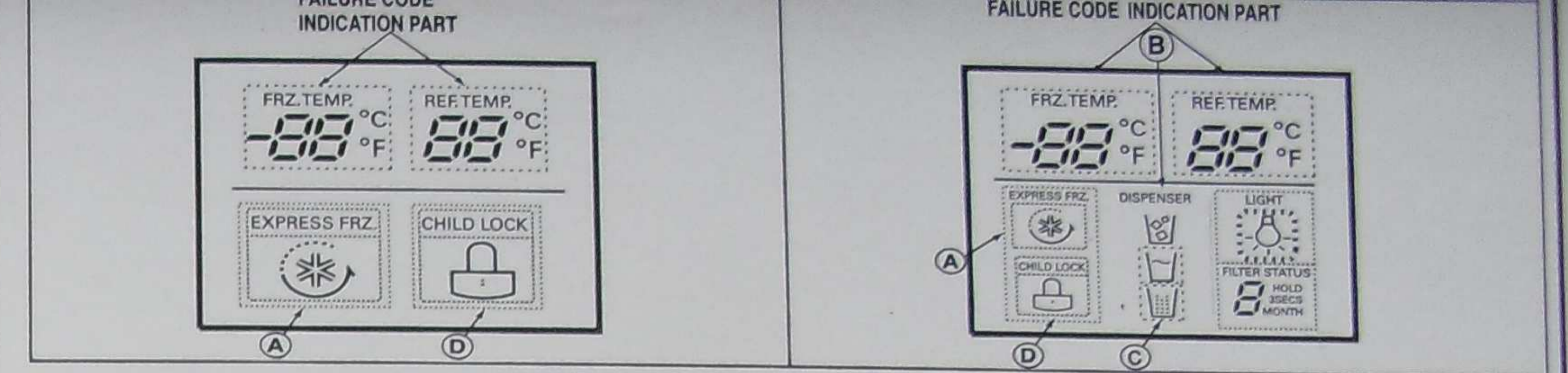
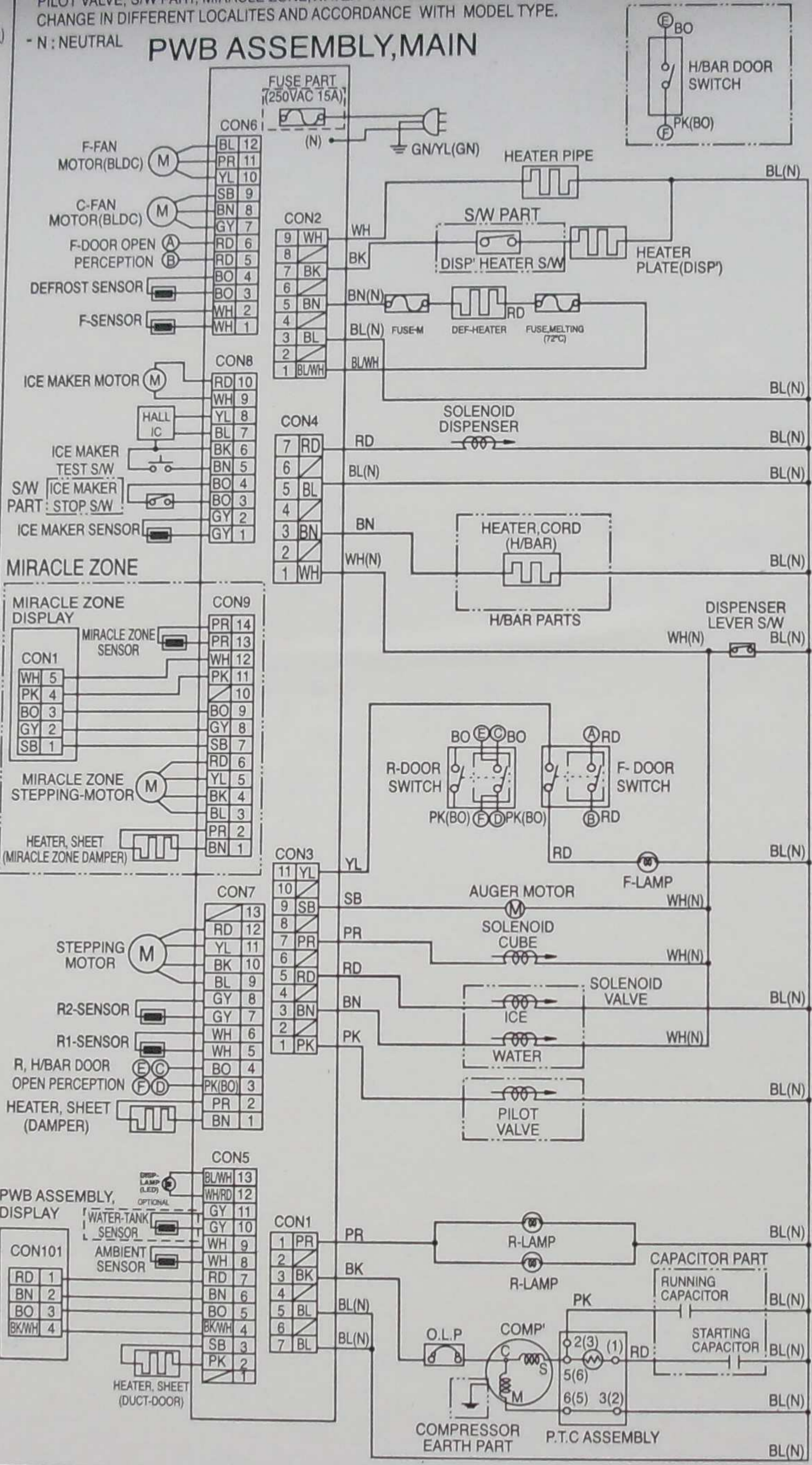
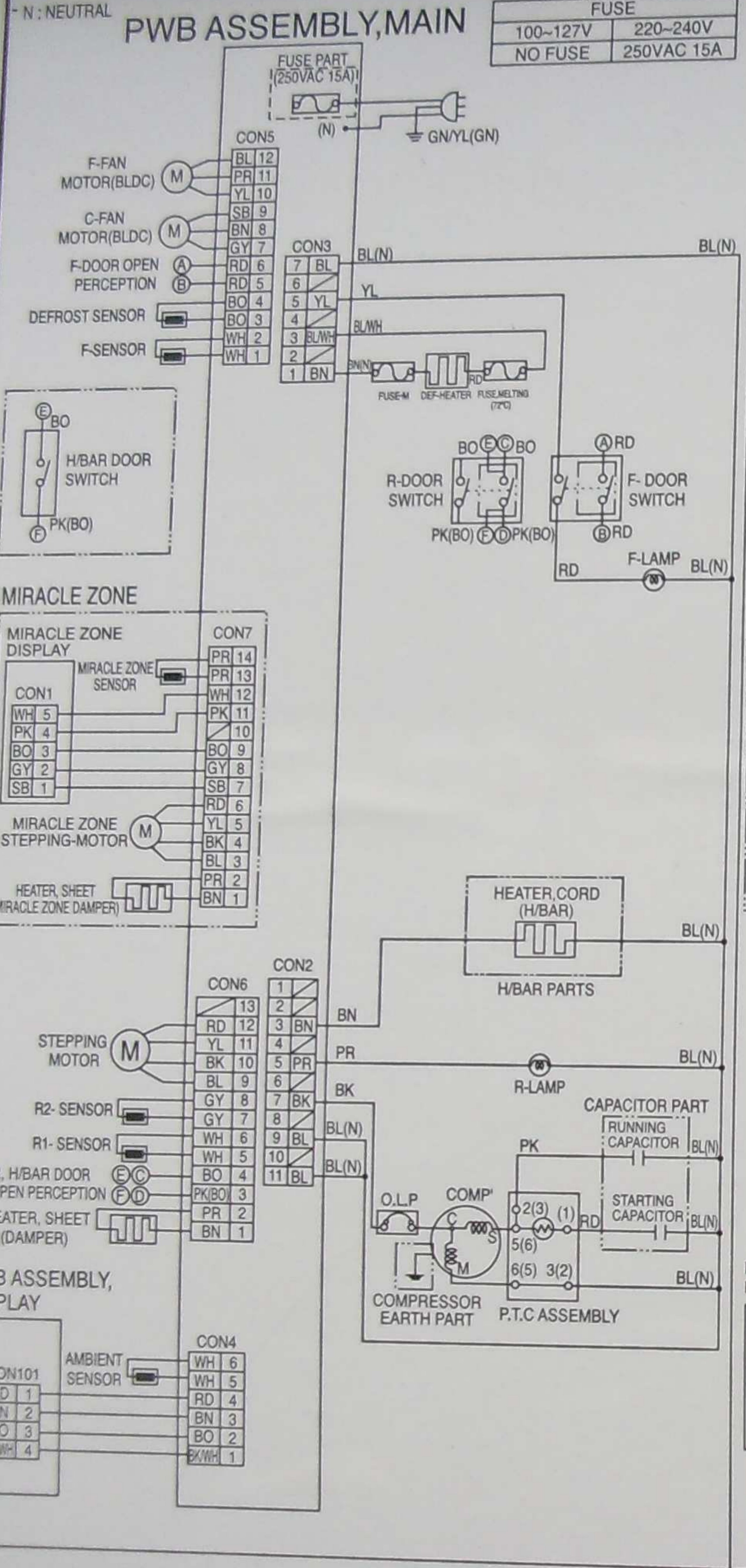
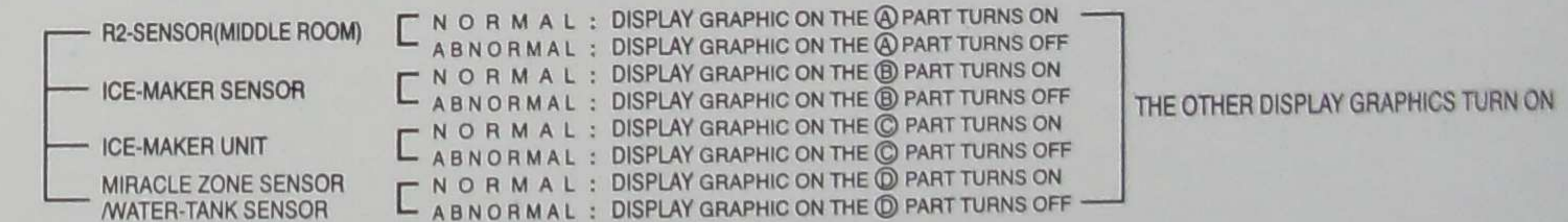


H/BAR PART (H/BAR HEATER, DOOR SWITCH)
ON CIRCUIT DIAGRAMS ARE SUBJECT TO CHANGE IN DIFFERENT LOCALITIES AND ACCORDANCE WITH MODEL TYPE.



NO	ITEM	FAILURE CODE INDICATION PART		CONTENTS OF FAILURE	PRODUCT OPERATION STATUS IN FAILURE				
		FREEZER ROOM NOTCH TEMPERATURE DISPLAY	REFRIGERATOR ROOM NOTCH TEMPERATURE DISPLAY		COMPRESSOR	FREEZING BLDC MOTOR	COOLING BLDC MOTOR	DEFROST HEATER	STEPPING MOTOR DAMPTER
1	ABNORMAL FREEZER SENSOR	Er	FS	FREEZER SENSOR SHORT CIRCUIT	ON FOR 15 MINUTES / OFF FOR 15 MINUTES	STANDARD RPM	○	○	○
2	ABNORMAL REFRIGERATOR SENSOR1(R1) (UPPER PART IN THE REFRIGERATOR COMPARTMENT)	Er	rS	REFRIGERATOR SENSOR1 SHORT CIRCUIT	○	STANDARD RPM	○	○	FULL OPENING FOR 10 MINUTES / FULL CLOSING FOR 15 MINUTES
3	ABNORMAL REFRIGERATOR SENSOR2(R2) (LOWER PART IN THE REFRIGERATOR COMPARTMENT)	NORMAL DISPLAY (NOTE2)		REFRIGERATOR SENSOR2 SHORT CIRCUIT	○	STANDARD RPM	○	○	○
4	ABNORMAL DEFROST SENSOR	Er	dS	ABNORMAL SHORT CIRCUIT	○	STANDARD RPM	○	NO DEFROST	○
5	FAILED DEFROSTING	Er	dH	DEFROST HEATER, TEMPERATURE FUSE SHORT CIRCUIT, UNPLUGGED CONNECTOR (INDICATED 4 HOUR LATER AFTER TROUBLE)	○	STANDARD RPM	○	○	○
6	ABNORMAL FREEZING BLDC MOTOR	Er	FF	MOTOR DEFECT, HOOKED OF LEAD WIRE TO FAN, CONTACT OF STRUCTURES WITH FAN, SHORT OR OPEN OF LEAD WIRE (THERE IS NO SIGNAL OF BLDC MOTOR MORE THAN 115 SECONDS IN OPERATION OF FAN MOTOR)	○	OFF	○	○	○
7	ABNORMAL COOLING BLDC MOTOR	Er	CF	NO SIGNAL OF BLDC MOTOR MORE THAN 115 SECONDS IN OPERATION OF FAN MOTOR	○	STANDARD RPM	OFF	○	○
8	ABNORMAL COMMUNICATION	Er	CO	SHORT OR OPEN OF LEAD WIRE CONNECTING BETWEEN MAIN PCB AND DISPLAY PCB, TRANSMISSION TR AND RECEIVING PART	○	STANDARD RPM	○	○	○
9	ABNORMAL AMBIENT SENSOR	NORMAL DISPLAY (NOTE1)		AMBIENT SENSOR SHORT CIRCUIT	○	○	○	○	○
10	ABNORMAL ICE-MAKER SENSOR	NORMAL DISPLAY (NOTE2)		ICE-MAKER SENSOR SHORT CIRCUIT	○	○	○	○	○
11	ABNORMAL ICE-MAKER UNIT	NORMAL DISPLAY (NOTE2)		FAULTY ICE-MAKER UNIT MOTOR OR HALL IC, LEAD WIRE SHORT CIRCUIT, FAULTY MOTOR DRIVING CIRCUIT	○	○	○	○	○

* ALL DISPLAY PARTS TURN OFF OTHER THAN FREEZER ROOM NOTCH TEMPERATURE DISPLAY AND REFRIGERATOR ROOM NOTCH TEMPERATURE DISPLAY (FAILURE CODE INDICATION PART) IN CASE OF INDICATING FAILURE MODES (EXCEPT FOR NOTE1, NOTE2)
NOTE1) IN CASE OF ABNORMAL AMBIENT SENSOR, "Er", "r" INDICATED ON THE FAILURE CODE INDICATION PART, (OTHER DISPLAY PARTS ARE INDICATED NORMALLY)
NOTE2) R2-SENSOR, ICE-MAKER SENSOR, MIRACLE ZONE SENSOR, WATER-TANK SENSOR AND ICE-MAKER UNIT IS NOT INDICATED ON THE FAILURE INDICATING PART BUT INDICATED IN CHECKING DISPLAY PART. (WHEN PRESSING FOR MORE THAN THE BUTTON OF FREEZING TEMPERATURE AND QUICK FREEZING BUTTON FOR MORE THAN 1 SECOND)



(2) TEST FUNCTION

TEST KEY EXISTS ON PWB ASSY, MAIN BOARD.

MODE	OPERATION	CONTENTS	REMARKS
TEST1	PRESS TEST BUTTON ONCE <STRONG COLD MODE>	1. CONTINUOUS OPERATION OF COMPRESSOR 2. CONTINUOUS OPERATION OF FREEZING BLDC MOTOR (HIGH-SPEED RPM) AND COOLING BLDC MOTOR 3. DEFROST HEATER TURNS OFF 4. STEPPING MOTOR DAMPER IS COMPLETELY OPENED (OPEN OF BAFFLE) 5. ALL DISPLAY GRAPHICS TURNS ON	FREEZING FAN TURNS OFF IN DOOR OPENING
TEST2	PRESS TEST BUTTON ONCE AT THE TEST MODE 1 STATUS <FORCED DEFROST MODE>	1. COMPRESSOR OFF 2. FREEZING BLDC MOTOR AND COOLING BLDC MOTOR TURN OFF 3. DEFROST HEATER TURNS ON 4. STEPPING MOTOR DAMPER IS COMPLETELY CLOSED (CLOSING OF BAFFLE) 5. ALL DISPLAY GRAPHICS TURNS OFF (ONLY FAILURE CODE INDICATION PART TURNS ON "22" STATUS)	RETURN TO THE NORMAL MODE WHEN THE DEFROST SENSOR IS ABOVE +5°C
NORMAL	PRESS TEST BUTTON ONCE AT THE TEST	RETURNING TO INITIAL STATUS	COMPRESSOR WILL OPERATE AFTER DELAY FOR 7 MINUTES

BK : BLACK
YL : YELLOW
SB : SKY BLUE
BN : BROWN
GN : GREEN
PK : PINK
BO : BRIGHT ORANGE
PR : PURPLE
GN/YN : GREEN/YELLOW
GY : GRAY
WH : WHITE
BL/WH : BLUE/WHITE
RD : RED
WH/BK : WHITE/BLACK
RD/WH : RED/WHITE