

RTV servis Horvat

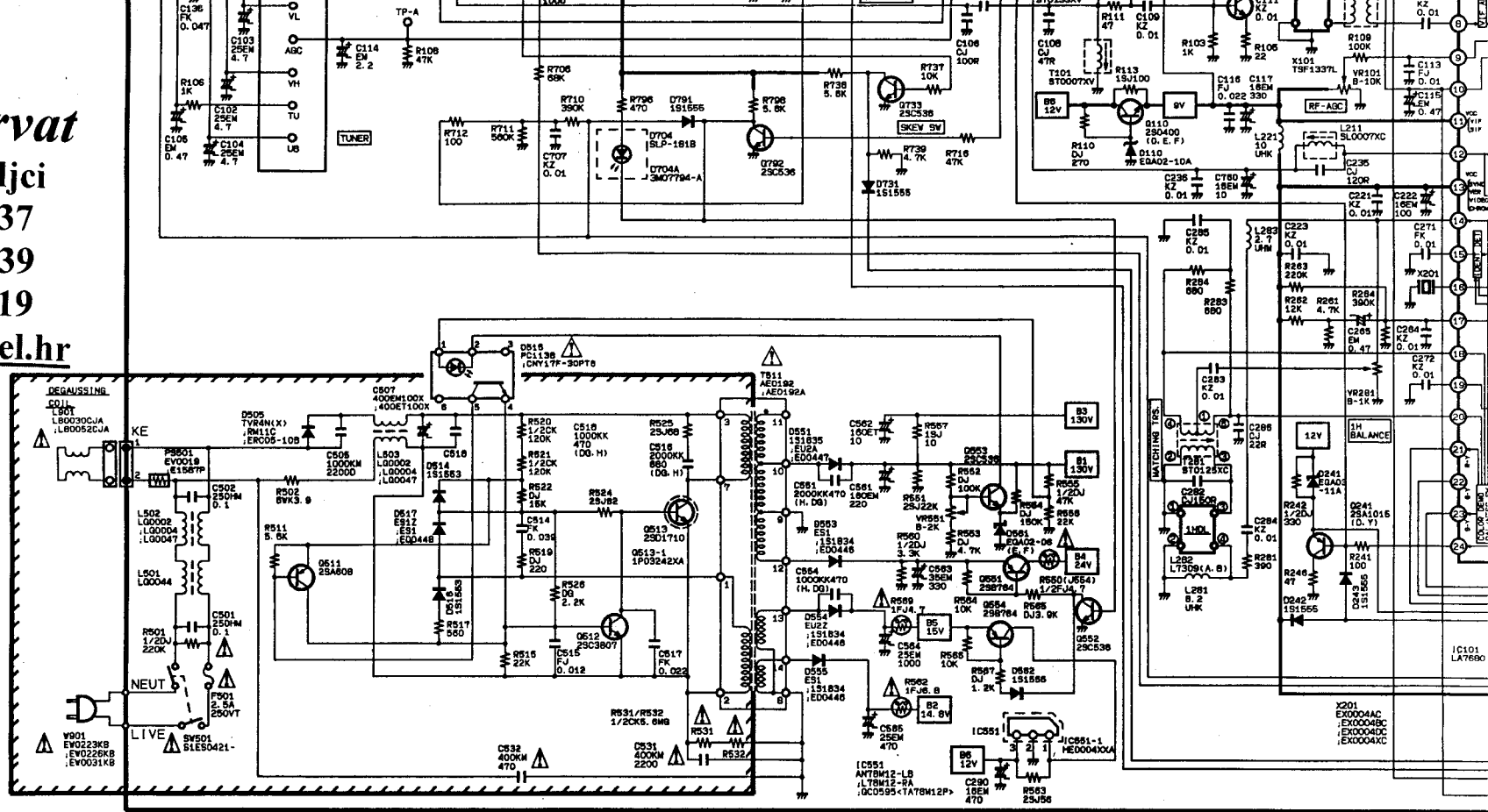
Kešinci, 31402 Semeljci

Tel : 031-856-637

Tel / fax : 031-856-139

Mob : 098-788-319

rtv-servis-horvat@os.tel.hr



SERVICE PRECAUTION:
THE AREA ENCLOSED BY THIS LINE (---) IS DIRECTLY CONNECTED WITH AC MAINS VOLTAGE. WHEN SERVICING THE AREA, CONNECT AN ISOLATING TRANSFORMER BETWEEN TV RECEIVER AND AC LINE TO ELIMINATE HAZARD OF ELECTRIC SHOCK.

Q511	
VOLT.	WAVEFORM
B	10V
C	-0.8V
E	10.8V

Handwritten circled number: 232

Q512	
VOLT.	WAVEFORM
B	-2.7V
C	-1.5V
E	0V

Q513	
VOLT.	WAVEFORM
B	-1.5V
C	280V
E	0V

Q551	
VOLT.	WAVEFORM
B	23.5V
C	0.1V
E	24V

Q552	
VOLT.	WAVEFORM
B	0.7V
C	0.1V
E	0V

Q553	
VOLT.	WAVEFORM
B	7V
C	40V
E	6.5V

Q110	
VOLT.	WAVEFORM
B	10V
C	12V
E	9V

COLOUR TELEVISION

A3

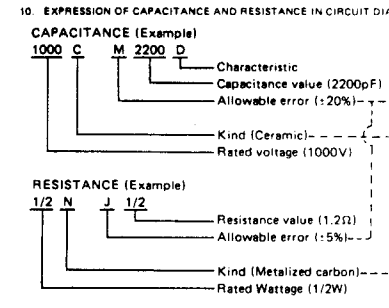
CHASSIS SERIES

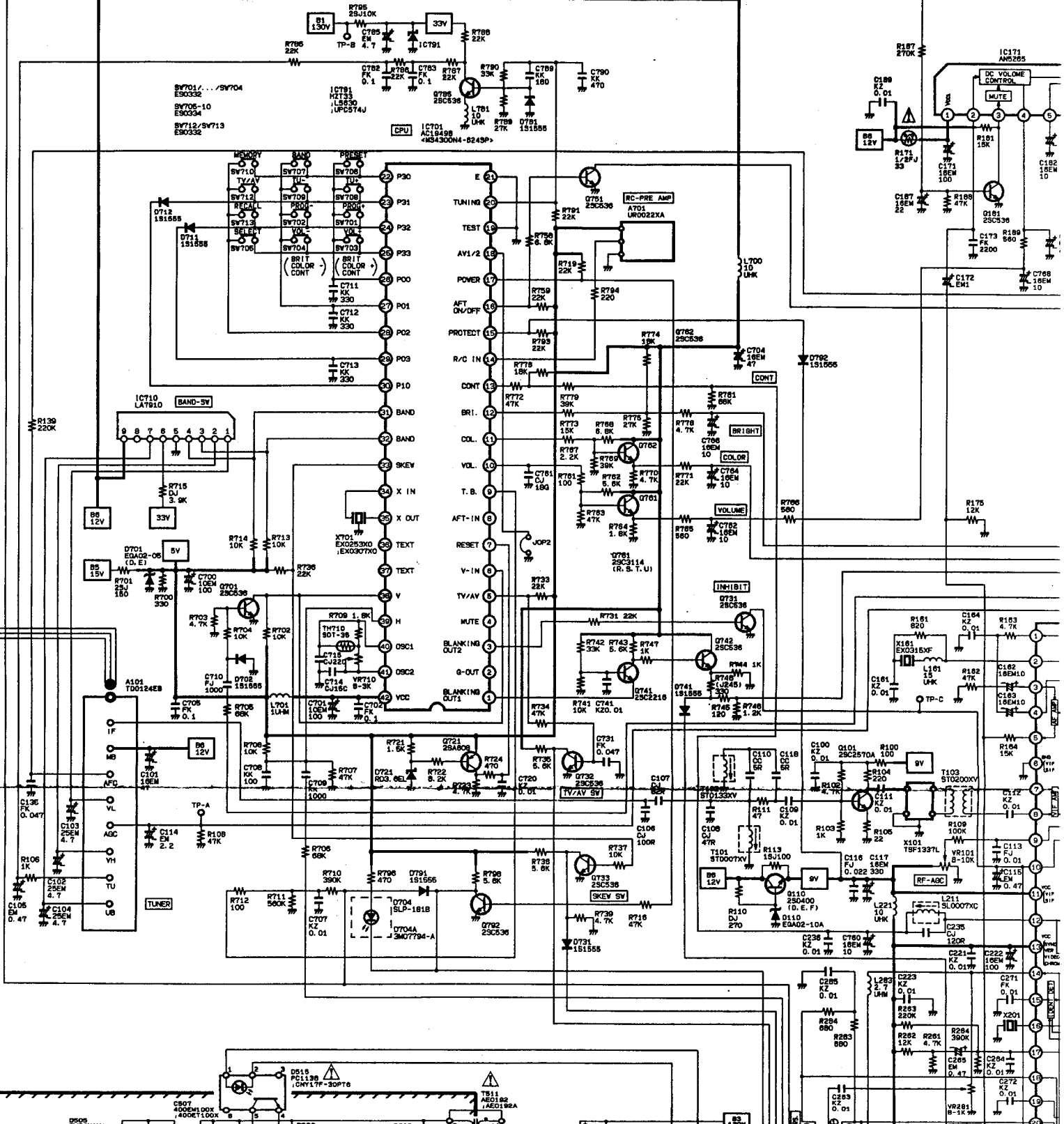
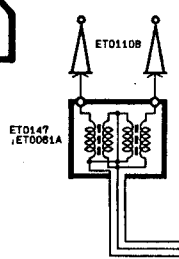
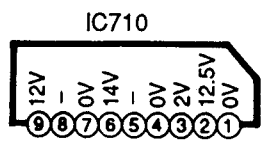
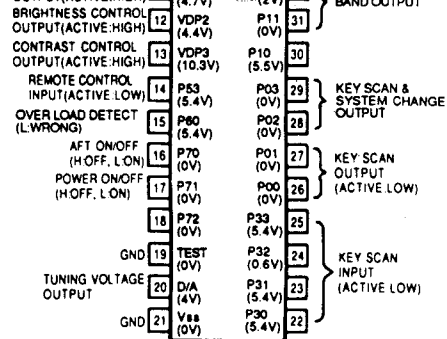
SERVICE REF. NO. **CEP3024D-00**

PRODUCT SAFETY NOTICE

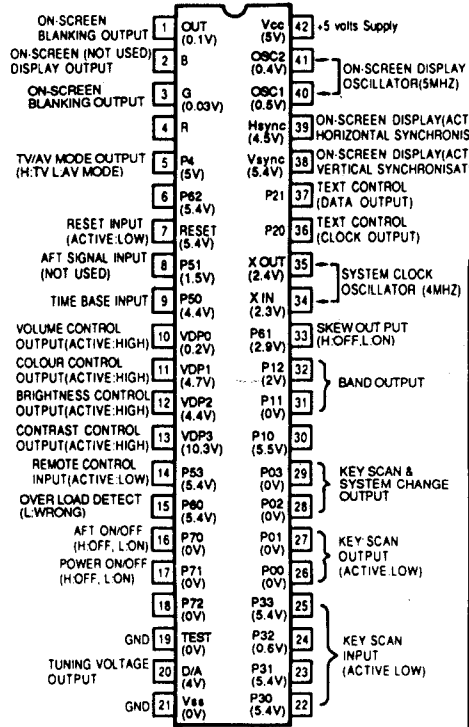
PRODUCT SAFETY SHOULD BE CONSIDERED WHEN A COMPONENT REPLACEMENT IS MADE IN ANY AREA OF A RECEIVER COMPONENTS INDICATED BY A MARK Δ IN THIS CIRCUIT DIAGRAM SHOW COMPONENTS WHOSE VALUE HAVE SPECIAL SIGNIFICANCE TO PRODUCT SAFETY. IT IS PARTICULARLY RECOMMENDED THAT ONLY PARTS SPECIFIED ON THE PARTS LIST OF SERVICE MANUAL BE USED FOR COMPONENTS REPLACEMENT POINTED OUT BY THE MARK.

- CIRCUIT DIAGRAM NOTES:**
- ALL RESISTANCE VALUES ARE IN OHMS, K = 1,000, M = 1,000,000.
 - ALL RESISTANCE RATED WATTAGES ARE 1/4W UNLESS OTHERWISE NOTED.
 - EXCEPTING ELECTROLYTIC CAPACITORS, ALL CAPACITANCE VALUES OF LESS THAN 1 ARE EXPRESSED IN UF, AND MORE THAN 1 ARE IN PF. ELECTROLYTIC CAPACITANCE VALUES ARE IN UF.
 - ALL CAPACITANCE RATED VOLTAGES ARE 50V UNLESS OTHERWISE NOTED.
 - ALL INDUCTANCE VALUES ARE IN UH.
 - VOLTAGE READINGS TAKEN WITH A "VTVM" ARE FROM POINT INDICATED TO CHASSIS GROUND. VOLTAGE READINGS TAKEN BY USING A COLOUR BAR SIGNAL ARE WITH ALL CONTROLS AT NORMAL AND AFC SWITCH IN "OFF" POSITION. SOME VOLTAGES MAY VARY WITH SIGNAL STRENGTH.
 - WAVEFORMS WERE TAKEN WITH COLOUR BAR SIGNAL AND CONTROLS ADJUSTED FOR NORMAL PICTURE. WAVEFORMS WERE TAKEN BY USING A WIDE BAND OSCILLOSCOPE AND A LOW CAPACITY PROBE.
 - VOLTAGE AND WAVEFORM VALUES OF TRANSISTORS IN THE AREA ENCLOSED BY LINE (---) ARE MEASURED TO BASE THE ELECTRIC POTENTIAL AT PIN 3 OF T311.
 - THIS CIRCUIT DIAGRAM COVERS A BASIC OR REPRESENTATIVE CHASSIS ONLY. THERE MAY BE SOME COMPONENTS OR PARTIAL CIRCUIT DIFFERENCES BETWEEN THE ACTUAL CHASSIS AND THE CIRCUIT DIAGRAM.

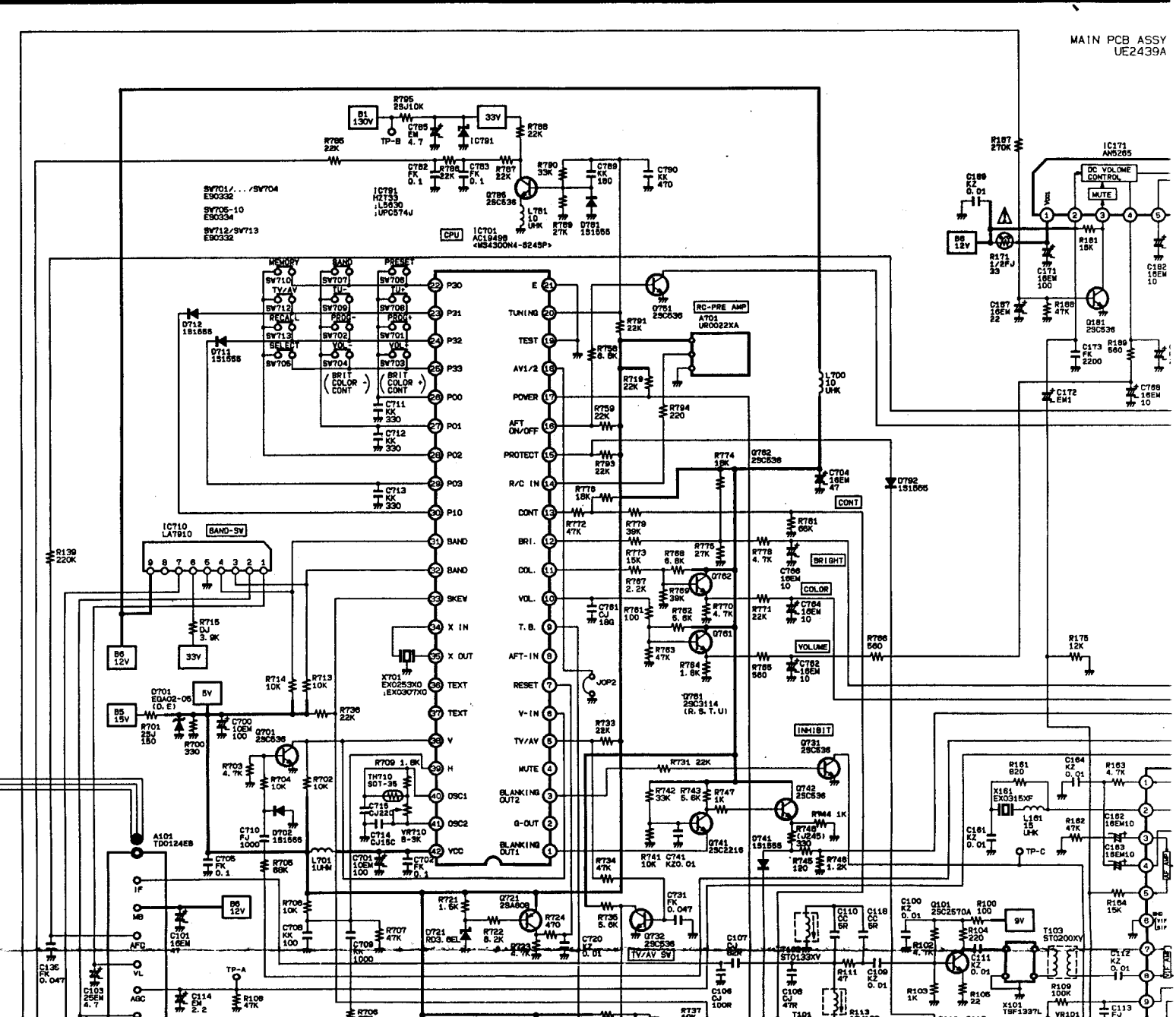
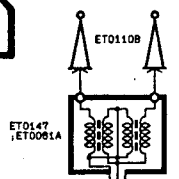
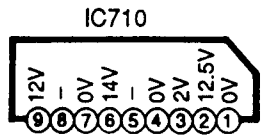
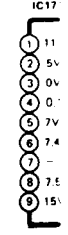


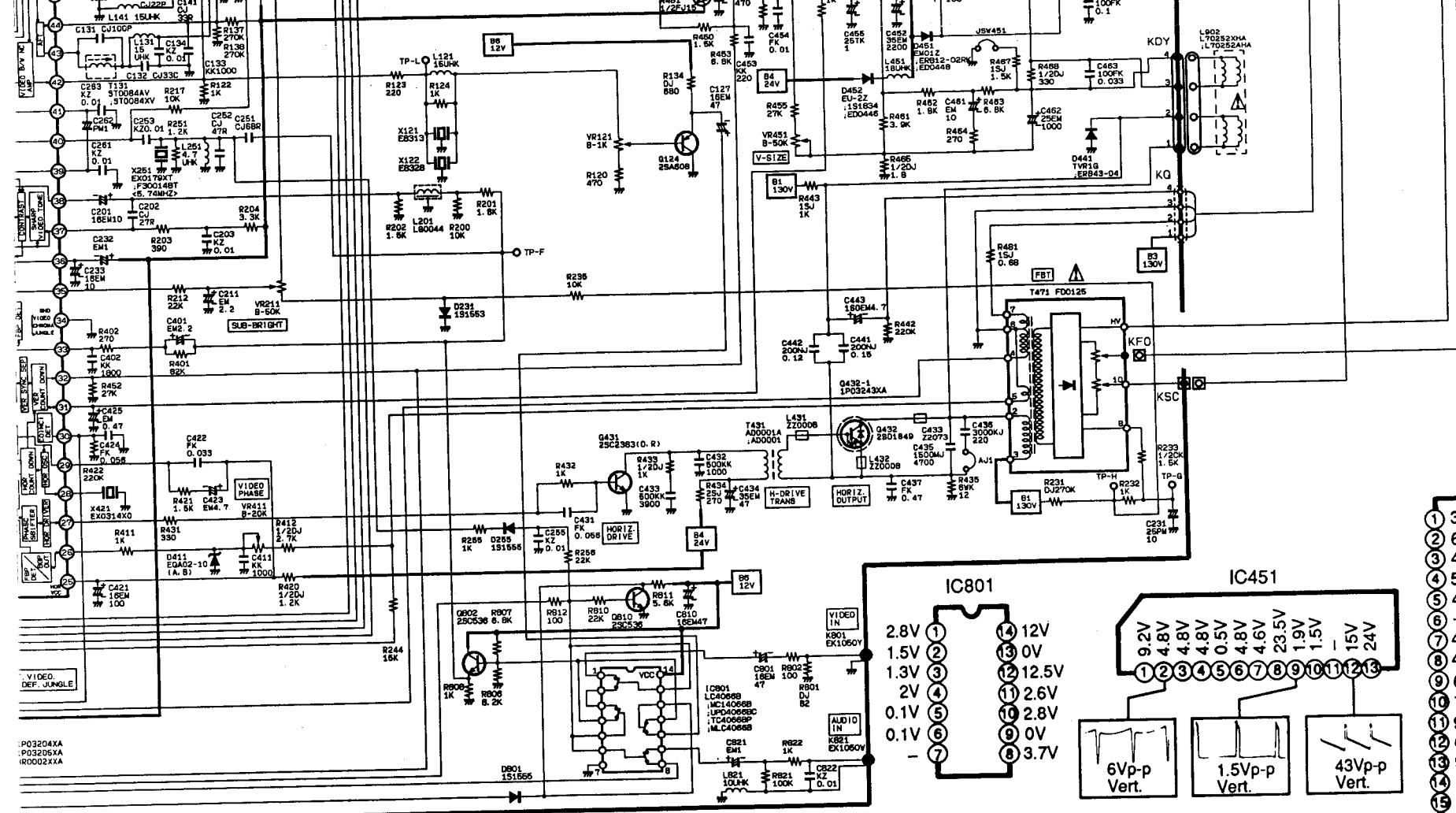


RTV servis Horvat
 Kešinci, 31402 Semeljci
 Tel : 031-856-637
 Tel / fax : 031-856-139
 Mob : 098-788-319
rTV-servis-horvat@os.tel.hr



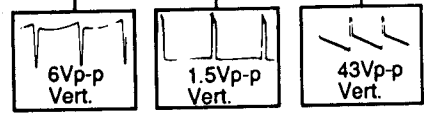
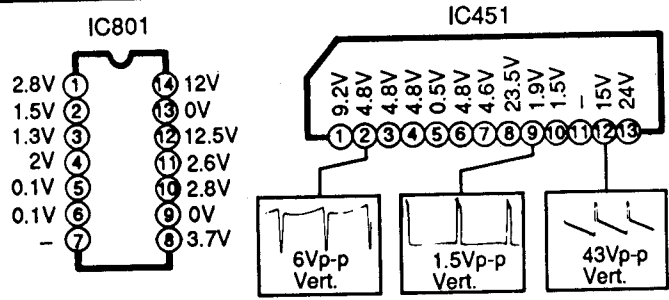
Q701	Q721	Q731	Q732	Q733	Q741	Q742	Q751	Q785	Q792
VOLT.	VOLT.	VOLT.	VOLT.	VOLT.	VOLT.	VOLT.	VOLT.	VOLT.	VOLT.
B 0V	B 4.6V	B 0.03V	B 0.7V	B 0.7V	B 0.15V	B 0.17V	B 0.03V	B 0.5V	B 0V
C 5.4V	C 5.2V	C 7V	C 0.06V	C 0.03V	C 0.1V	C 12V	C 7.2V	C 4.6V	C 11V
E 0V	E 5.3V	E 0V	E 0V	E 0V	E 0.9V	E 12V	E 0V	E 0V	E 0V





IC101

1	3.6V	5V	18
2	6V	5V	17
3	4.6V	4V	16
4	5.8V	5V	15
5	4V	5.4V	14
6	-	7.2V	13
7	4.8V	3.5V	12
8	4.8V	6.2V	11
9	6V	4.8V	10
10	7V	5.6V	9
11	9.3V	1.8V	8
12	6.7V	8.6V	7
13	9.2V	2.8V	6
14	5.7V	4.4V	5
15	7V	-	4
16	5.8V	7V	3
17	6.2V	4.8V	2
18	3.4V	0.4V	1
19	4.8V	7.4V	19
20	3.5V	5.8V	18
21	5.5V	5.2V	17
22	5.5V	0.8V	16
23	5.5V	0.6V	15
24	4.5V	7.7V	14

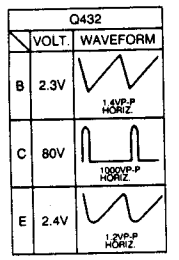
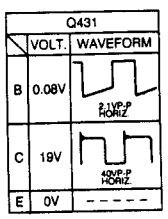


VOLT.	
B	2V
C	0V
E	2.8V

VOLT.	WAVEFORM
B	4.8V
C	1.2V
E	5.3V

VOLT.	
B	6.6V
C	12V
E	6V

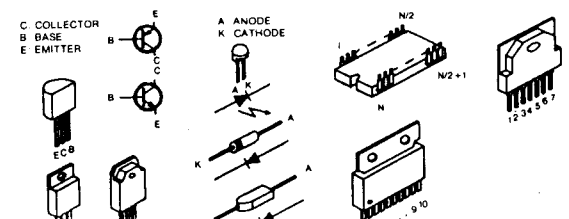
VOLT.	
B	0.06V
C	12.5V
E	0V



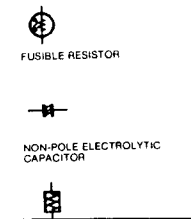
- 5% Carbon
- 10% Carbon
- 20% Carbon
- E, U, D Electrolytic
- C, B Ceramic
- Mylar film
- Polypropylene
- Metalized paper

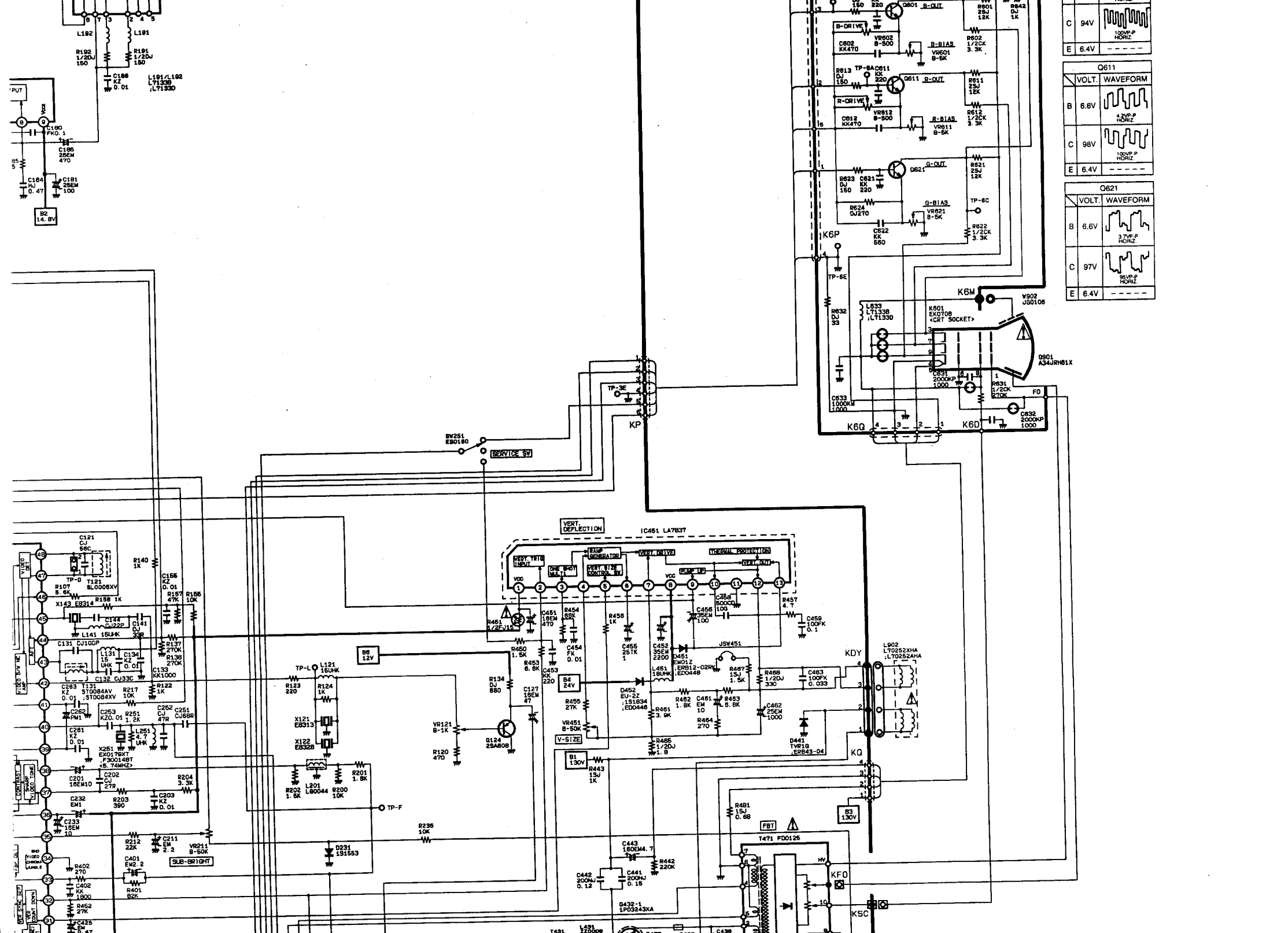
11. DIODE IS1555 MAY BE REPLACED WITH IS2473, IS2078 OR DS442 UNLESS OTHERWISE NOTED.
 TRANSISTOR 2SC536 (E, F, G) MAY BE REPLACED WITH 2SC1740S (Q, R, S), 2SC1740 (Q, R, S), 2SC946A (Q, R, P) OR 2SC1815 (Q, O, Y) UNLESS OTHERWISE NOTED.
 TRANSISTOR 2SA808 (E, F) MAY BE REPLACED WITH 2SA933 (O, R), 2SA564 (Q, A, RA) OR 2SA1015 (Q, Y) UNLESS OTHERWISE NOTED.

TRANSISTOR, DIODE & INTEGRATED CIRCUIT TERMINAL GUIDE



PARTICULAR PARTS SYMBOL





C	94V	
E	6.4V	-----

Q611	
VOLT.	WAVEFORM
B	6.6V
C	98V
E	6.4V -----

Q621	
VOLT.	WAVEFORM
B	6.6V
C	97V
E	6.4V -----

VERT. DEFLECTION

IC451 LA7837

VERT. SYNC INPUT, RAMP GENERATOR, VERT. DRIVE, THERMAL PROTECTION, VERT. MIN.

TP-D, TP-E, TP-F, TP-G, TP-H, TP-I, TP-J, TP-K, TP-L, TP-M, TP-N, TP-O, TP-P, TP-Q, TP-R, TP-S, TP-T, TP-U, TP-V, TP-W, TP-X, TP-Y, TP-Z

B1 130V, B2 14.4V, B3 1.30V, B4 24V, B5 1.8V, B6 12V

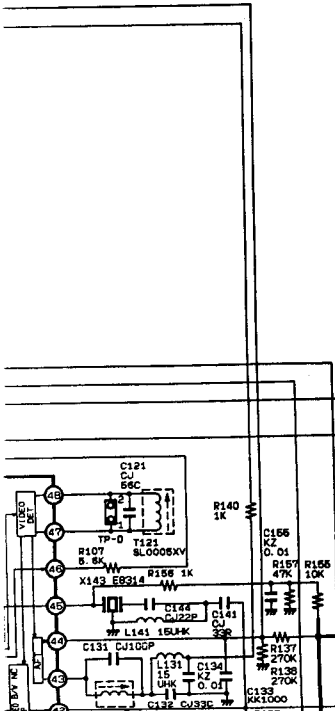
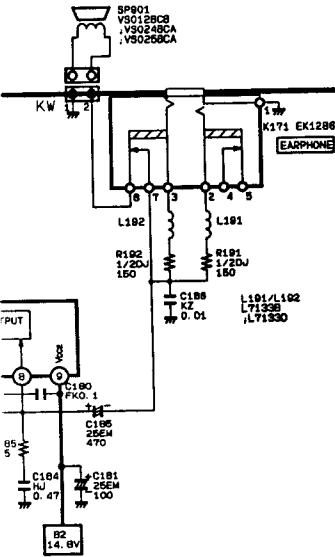
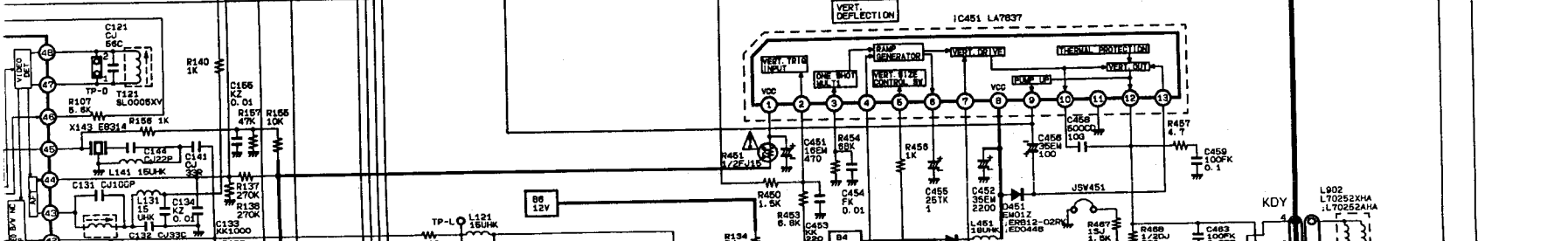
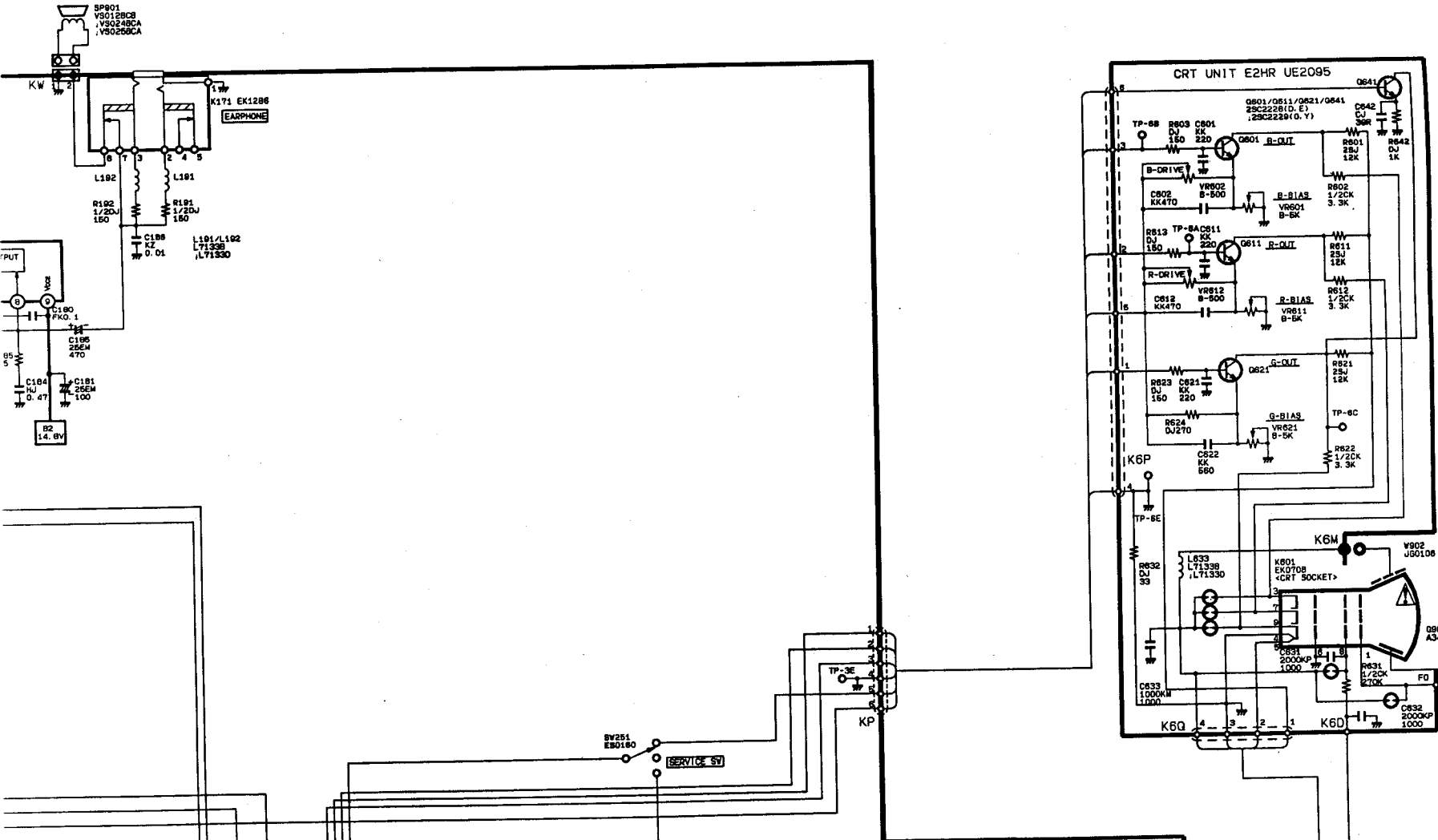
C100, C101, C102, C103, C104, C105, C106, C107, C108, C109, C110, C111, C112, C113, C114, C115, C116, C117, C118, C119, C120, C121, C122, C123, C124, C125, C126, C127, C128, C129, C130, C131, C132, C133, C134, C135, C136, C137, C138, C139, C140, C141, C142, C143, C144, C145, C146, C147, C148, C149, C150, C151, C152, C153, C154, C155, C156, C157, C158, C159, C160, C161, C162, C163, C164, C165, C166, C167, C168, C169, C170, C171, C172, C173, C174, C175, C176, C177, C178, C179, C180, C181, C182, C183, C184, C185, C186, C187, C188, C189, C190, C191, C192, C193, C194, C195, C196, C197, C198, C199, C200, C201, C202, C203, C204, C205, C206, C207, C208, C209, C210, C211, C212, C213, C214, C215, C216, C217, C218, C219, C220, C221, C222, C223, C224, C225, C226, C227, C228, C229, C230, C231, C232, C233, C234, C235, C236, C237, C238, C239, C240, C241, C242, C243, C244, C245, C246, C247, C248, C249, C250, C251, C252, C253, C254, C255, C256, C257, C258, C259, C260, C261, C262, C263, C264, C265, C266, C267, C268, C269, C270, C271, C272, C273, C274, C275, C276, C277, C278, C279, C280, C281, C282, C283, C284, C285, C286, C287, C288, C289, C290, C291, C292, C293, C294, C295, C296, C297, C298, C299, C300, C301, C302, C303, C304, C305, C306, C307, C308, C309, C310, C311, C312, C313, C314, C315, C316, C317, C318, C319, C320, C321, C322, C323, C324, C325, C326, C327, C328, C329, C330, C331, C332, C333, C334, C335, C336, C337, C338, C339, C340, C341, C342, C343, C344, C345, C346, C347, C348, C349, C350, C351, C352, C353, C354, C355, C356, C357, C358, C359, C360, C361, C362, C363, C364, C365, C366, C367, C368, C369, C370, C371, C372, C373, C374, C375, C376, C377, C378, C379, C380, C381, C382, C383, C384, C385, C386, C387, C388, C389, C390, C391, C392, C393, C394, C395, C396, C397, C398, C399, C400, C401, C402, C403, C404, C405, C406, C407, C408, C409, C410, C411, C412, C413, C414, C415, C416, C417, C418, C419, C420, C421, C422, C423, C424, C425, C426, C427, C428, C429, C430, C431, C432, C433, C434, C435, C436, C437, C438, C439, C440, C441, C442, C443, C444, C445, C446, C447, C448, C449, C450, C451, C452, C453, C454, C455, C456, C457, C458, C459, C460, C461, C462, C463, C464, C465, C466, C467, C468, C469, C470, C471, C472, C473, C474, C475, C476, C477, C478, C479, C480, C481, C482, C483, C484, C485, C486, C487, C488, C489, C490, C491, C492, C493, C494, C495, C496, C497, C498, C499, C500, C501, C502, C503, C504, C505, C506, C507, C508, C509, C510, C511, C512, C513, C514, C515, C516, C517, C518, C519, C520, C521, C522, C523, C524, C525, C526, C527, C528, C529, C530, C531, C532, C533, C534, C535, C536, C537, C538, C539, C540, C541, C542, C543, C544, C545, C546, C547, C548, C549, C550, C551, C552, C553, C554, C555, C556, C557, C558, C559, C560, C561, C562, C563, C564, C565, C566, C567, C568, C569, C570, C571, C572, C573, C574, C575, C576, C577, C578, C579, C580, C581, C582, C583, C584, C585, C586, C587, C588, C589, C590, C591, C592, C593, C594, C595, C596, C597, C598, C599, C600, C601, C602, C603, C604, C605, C606, C607, C608, C609, C610, C611, C612, C613, C614, C615, C616, C617, C618, C619, C620, C621, C622, C623, C624, C625, C626, C627, C628, C629, C630, C631, C632, C633, C634, C635, C636, C637, C638, C639, C640, C641, C642, C643, C644, C645, C646, C647, C648, C649, C650, C651, C652, C653, C654, C655, C656, C657, C658, C659, C660, C661, C662, C663, C664, C665, C666, C667, C668, C669, C670, C671, C672, C673, C674, C675, C676, C677, C678, C679, C680, C681, C682, C683, C684, C685, C686, C687, C688, C689, C690, C691, C692, C693, C694, C695, C696, C697, C698, C699, C700, C701, C702, C703, C704, C705, C706, C707, C708, C709, C710, C711, C712, C713, C714, C715, C716, C717, C718, C719, C720, C721, C722, C723, C724, C725, C726, C727, C728, C729, C730, C731, C732, C733, C734, C735, C736, C737, C738, C739, C740, C741, C742, C743, C744, C745, C746, C747, C748, C749, C750, C751, C752, C753, C754, C755, C756, C757, C758, C759, C760, C761, C762, C763, C764, C765, C766, C767, C768, C769, C770, C771, C772, C773, C774, C775, C776, C777, C778, C779, C780, C781, C782, C783, C784, C785, C786, C787, C788, C789, C790, C791, C792, C793, C794, C795, C796, C797, C798, C799, C800, C801, C802, C803, C804, C805, C806, C807, C808, C809, C810, C811, C812, C813, C814, C815, C816, C817, C818, C819, C820, C821, C822, C823, C824, C825, C826, C827, C828, C829, C830, C831, C832, C833, C834, C835, C836, C837, C838, C839, C840, C841, C842, C843, C844, C845, C846, C847, C848, C849, C850, C851, C852, C853, C854, C855, C856, C857, C858, C859, C860, C861, C862, C863, C864, C865, C866, C867, C868, C869, C870, C871, C872, C873, C874, C875, C876, C877, C878, C879, C880, C881, C882, C883, C884, C885, C886, C887, C888, C889, C890, C891, C892, C893, C894, C895, C896, C897, C898, C899, C900, C901, C902, C903, C904, C905, C906, C907, C908, C909, C910, C911, C912, C913, C914, C915, C916, C917, C918, C919, C920, C921, C922, C923, C924, C925, C926, C927, C928, C929, C930, C931, C932, C933, C934, C935, C936, C937, C938, C939, C940, C941, C942, C943, C944, C945, C946, C947, C948, C949, C950, C951, C952, C953, C954, C955, C956, C957, C958, C959, C960, C961, C962, C963, C964, C965, C966, C967, C968, C969, C970, C971, C972, C973, C974, C975, C976, C977, C978, C979, C980, C981, C982, C983, C984, C985, C986, C987, C988, C989, C990, C991, C992, C993, C994, C995, C996, C997, C998, C999, C1000.

Q641	
VOLT.	WAVEFORM
B	0V
C	100V
E	0V

Q601	
VOLT.	WAVEFORM
B	6.6V
C	94V
E	6.4V

Q611	
VOLT.	WAVEFORM
B	6.6V
C	98V
E	6.4V

Q621	
VOLT.	WAVEFORM
B	6.6V
C	97V
E	6.4V



COMPONENT LOCATION

MAIN UNIT

