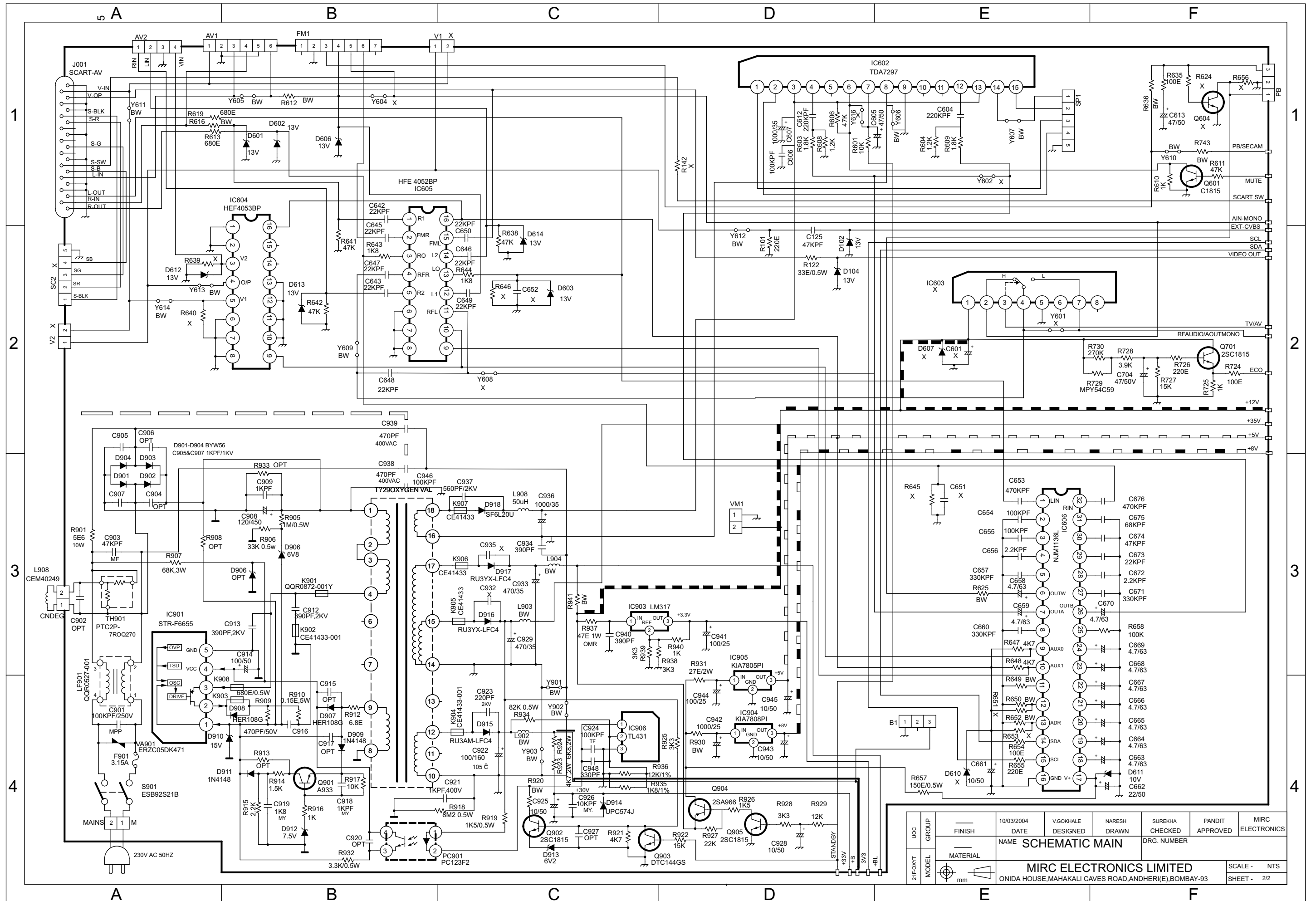
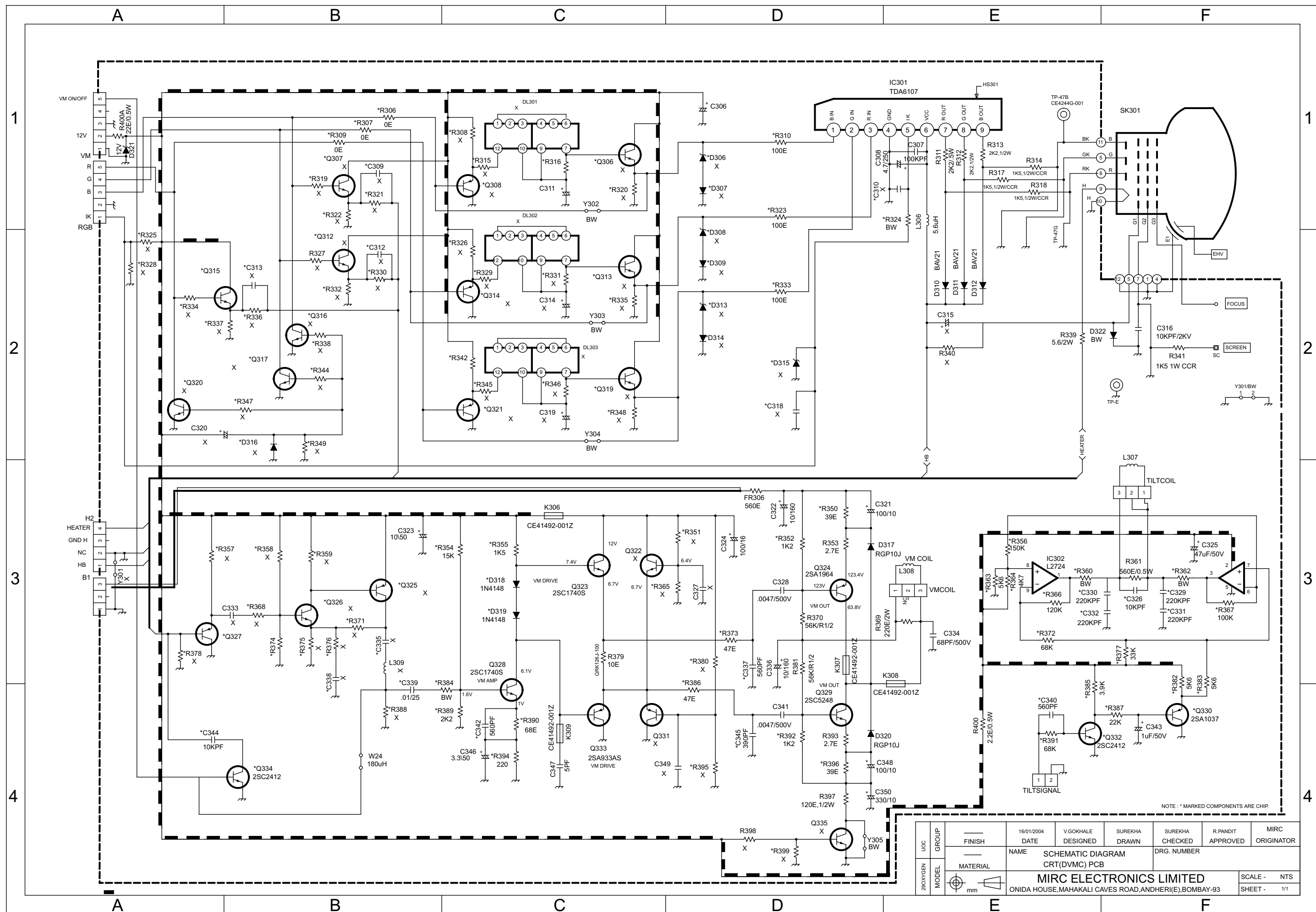


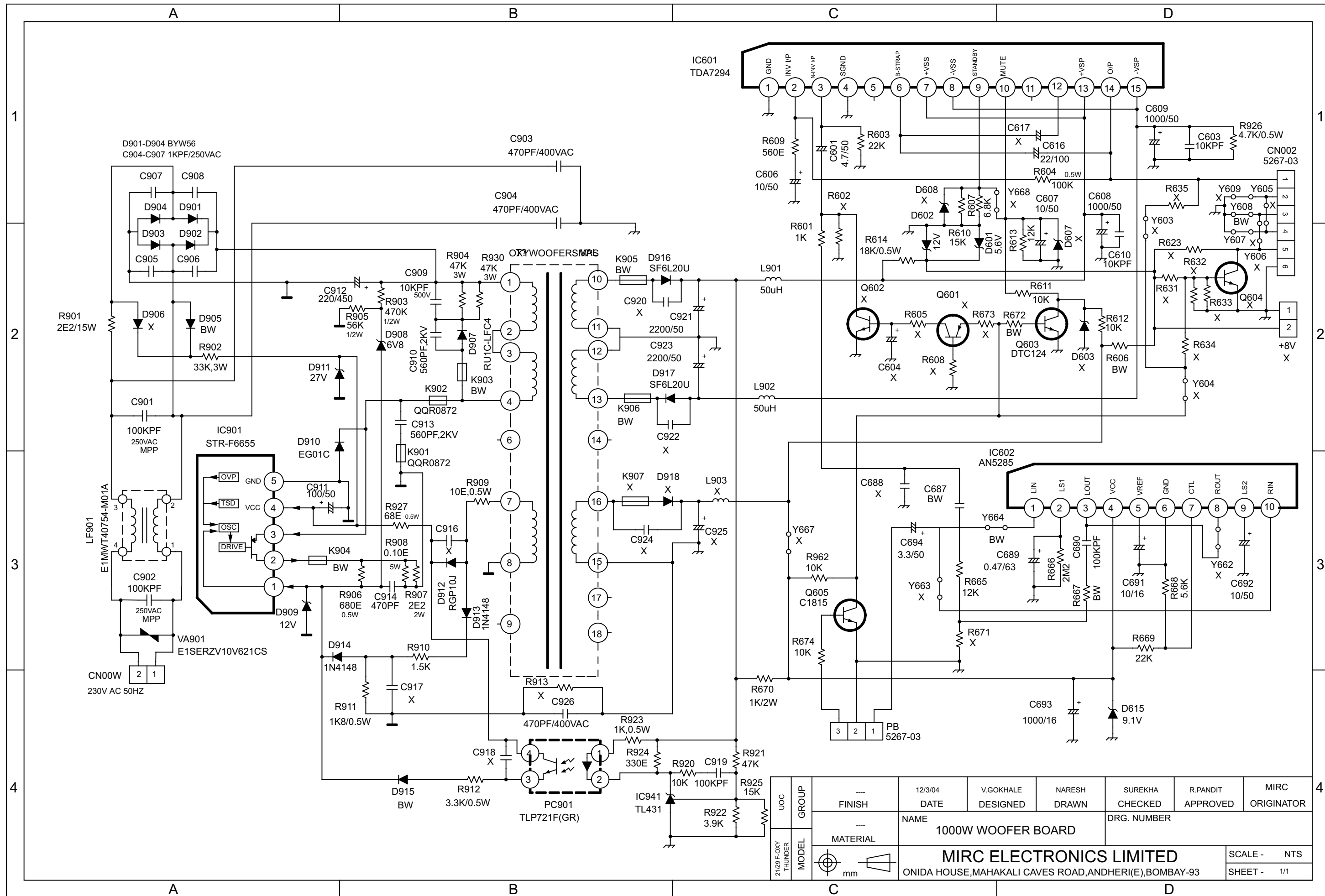
GROUP	FINISH	10/03/2004	V.GOKHALE	NARESH	SUREKHA	PANDIT	MIRC
DATE	DESIGNED	DRAWN	CHECKED	APPROVED	ELECTRONICS		
NAME		SCHEMATIC MAIN		DRG. NUMBER			
MATERIAL		MIRC ELECTRONICS LIMITED		SCALE - NTS			
MODEL		ONIDA HOUSE, MAHAKALI CAVES ROAD, ANDHERI (E), BOMBAY-93		SHEET - 1/2			



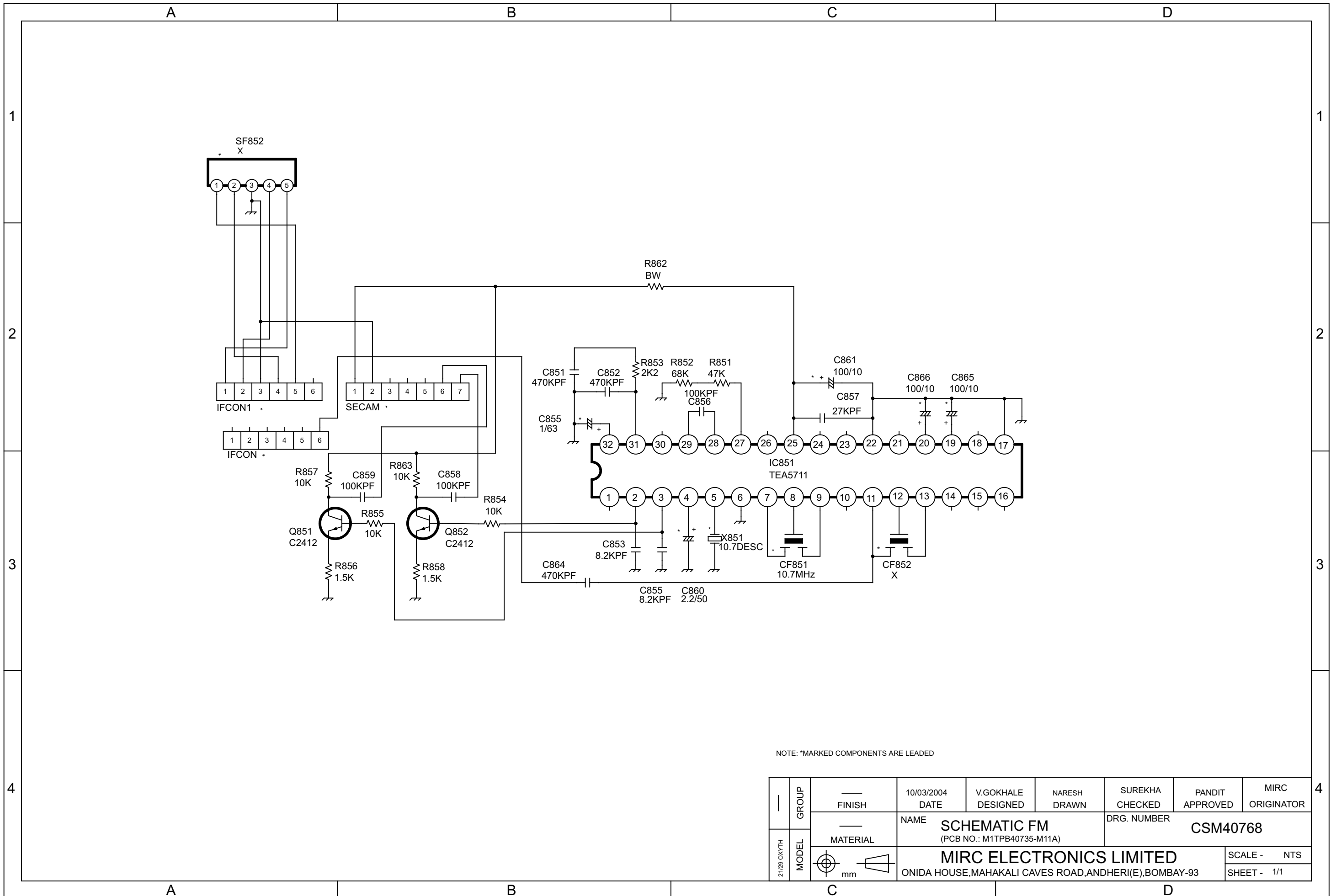
DOC	FINISH	10/03/2004	V.GOKHALE	NARESH	SUREKHA	PANDIT	MIRC ELECTRONICS
GROUP	DATE	DESIGNED	DRAWN	CHECKED	APPROVED		
21-F-OXT	MATERIAL	NAME SCHEMATIC MAIN		DRG. NUMBER			
MODEL	MIRC ELECTRONICS LIMITED						SCALE - NTS
	ONIDA HOUSE, MAHAKALI CAVES ROAD, ANDHERI (E), BOMBAY-93						SHEET - 2/2



UOC	GROUP	16/01/2004	V.GOKHALE	SUREKHA	SUREKHA	R.PANDIT	MIRC
FINISH	DATE	DESIGNED	DRAWN	CHECKED	APPROVED	ORIGINATOR	
MATERIAL	NAME		DRG. NUMBER				
MATERIAL		SCHEMATIC DIAGRAM					
MATERIAL		CRT(DVMC) PCB					
MATERIAL		MIRC ELECTRONICS LIMITED					
MATERIAL		ONIDA HOUSE, MAHAKALI CAVES ROAD, ANDHERI (E), BOMBAY-93					
MATERIAL		SCALE - NTS					
MATERIAL		SHEET - 1/1					

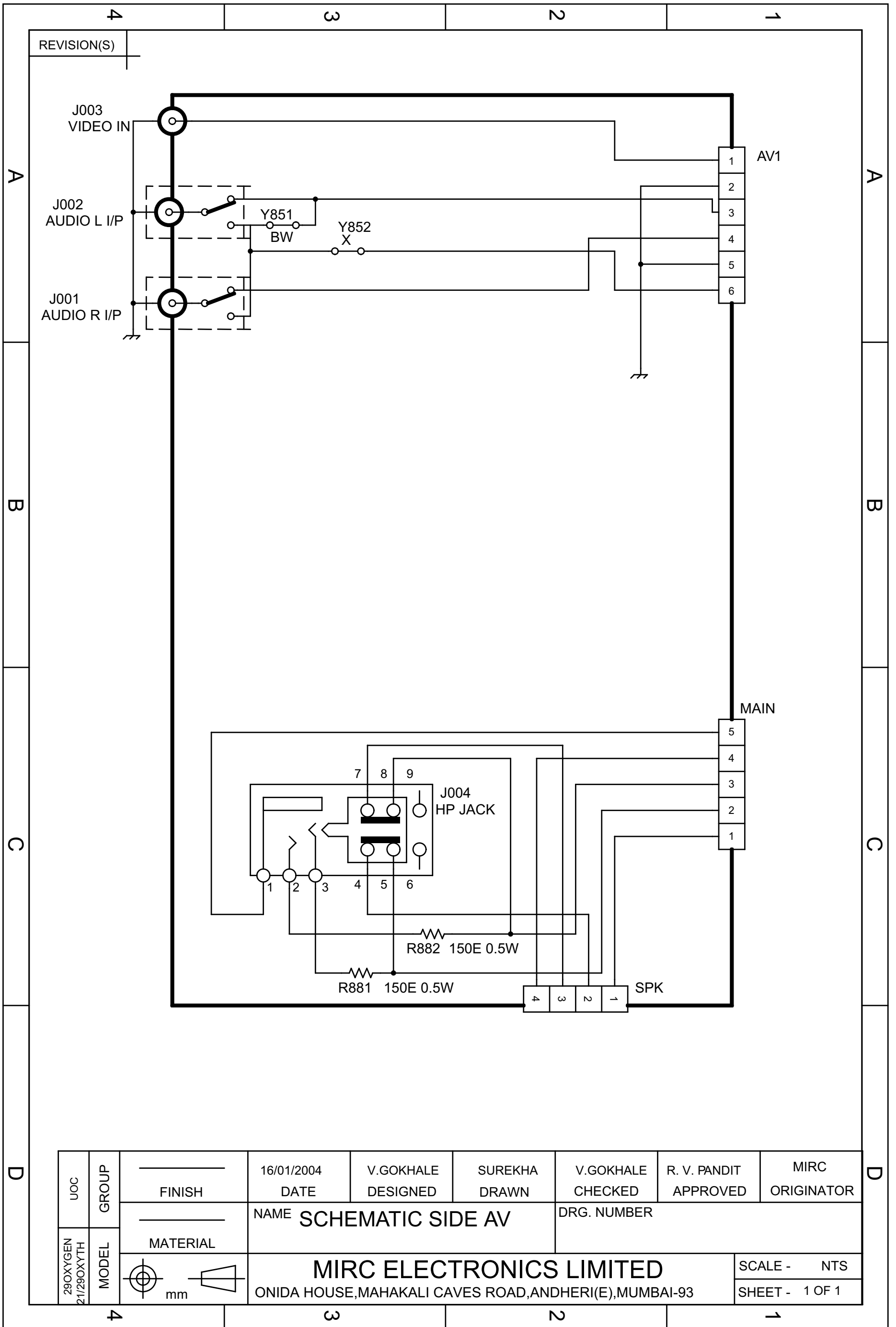


UOC	GROUP	---	12/3/04	V.GOKHALE	NARESH	SUREKHA	R.PANDIT	MIRC	
		FINISH	DATE	DESIGNED	DRAWN	CHECKED	APPROVED	ORIGINATOR	
		MATERIAL	NAME				DRG. NUMBER		
			1000W WOOFER BOARD						
			MIRC ELECTRONICS LIMITED						SCALE - NTS
			ONIDA HOUSE, MAHAKALI CAVES ROAD, ANDHERI (E), BOMBAY-93						SHEET - 1/1



NOTE: *MARKED COMPONENTS ARE LEADED

21/20 OXYTH	GROUP	—	10/03/2004	V.GOKHALE	NARESH	SUREKHA	PANDIT	MIRC
	MODEL	FINISH	DATE	DESIGNED	DRAWN	CHECKED	APPROVED	ORIGINATOR
		MATERIAL	NAME SCHEMATIC FM (PCB NO.: M1TPB40735-M11A)			DRG. NUMBER CSM40768		
		MIRC ELECTRONICS LIMITED						SCALE - NTS
		ONIDA HOUSE, MAHAKALI CAVES ROAD, ANDHERI(E), BOMBAY-93						SHEET - 1/1



REVISION(S)

UOC	GROUP	FINISH	16/01/2004	V.GOKHALE	SUREKHA	V.GOKHALE	R. V. PANDIT	MIRC
			DATE	DESIGNED	DRAWN	CHECKED	APPROVED	ORIGINATOR
290XYGEN 21/290XYTH	MODEL	MATERIAL	NAME SCHEMATIC SIDE AV			DRG. NUMBER		
			MIRC ELECTRONICS LIMITED			SCALE - NTS		
		mm	ONIDA HOUSE, MAHAKALI CAVES ROAD, ANDHERI(E), MUMBAI-93			SHEET - 1 OF 1		