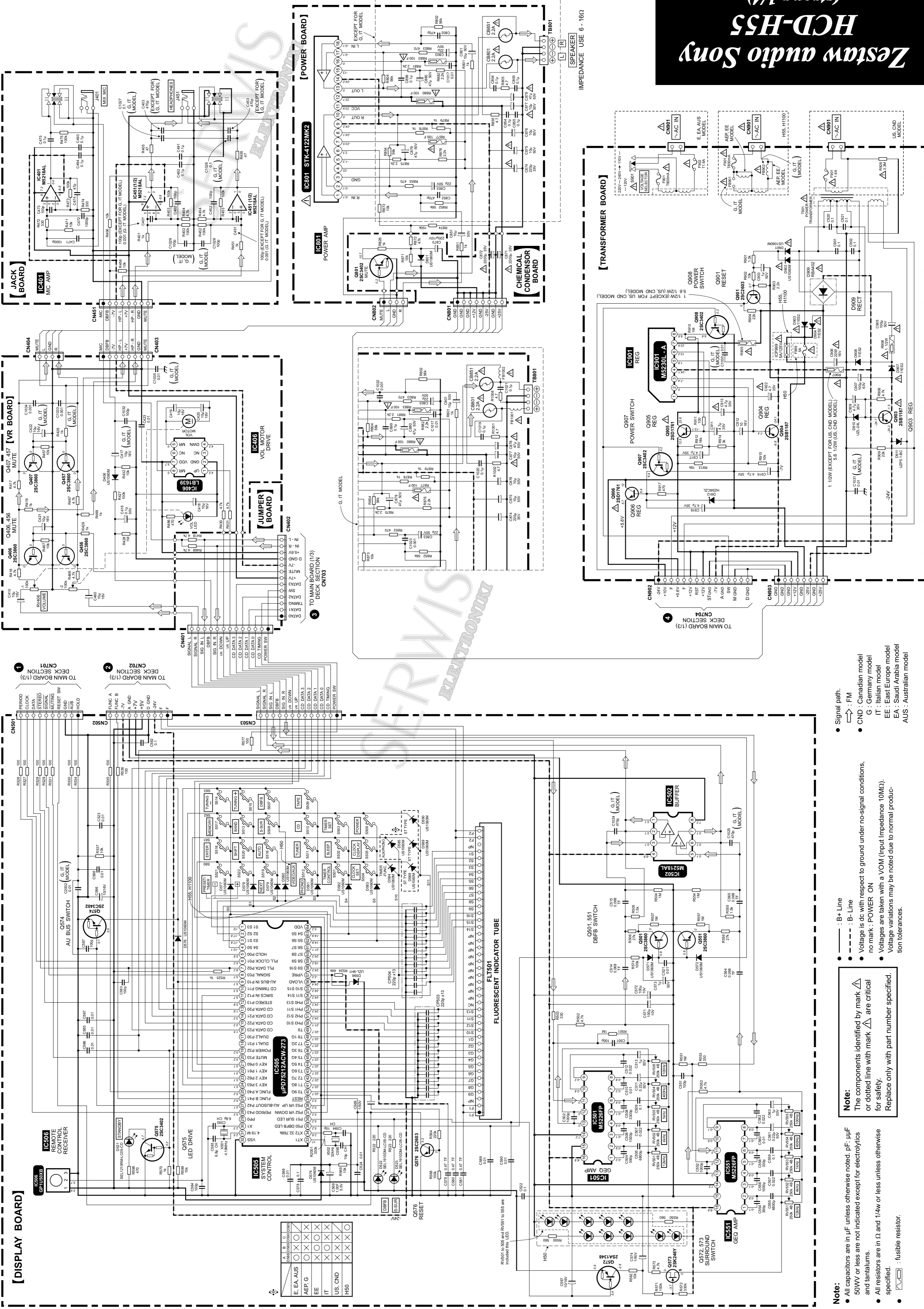


SCHEMATIC DIAGRAM - Power/Amplifier/Display Section

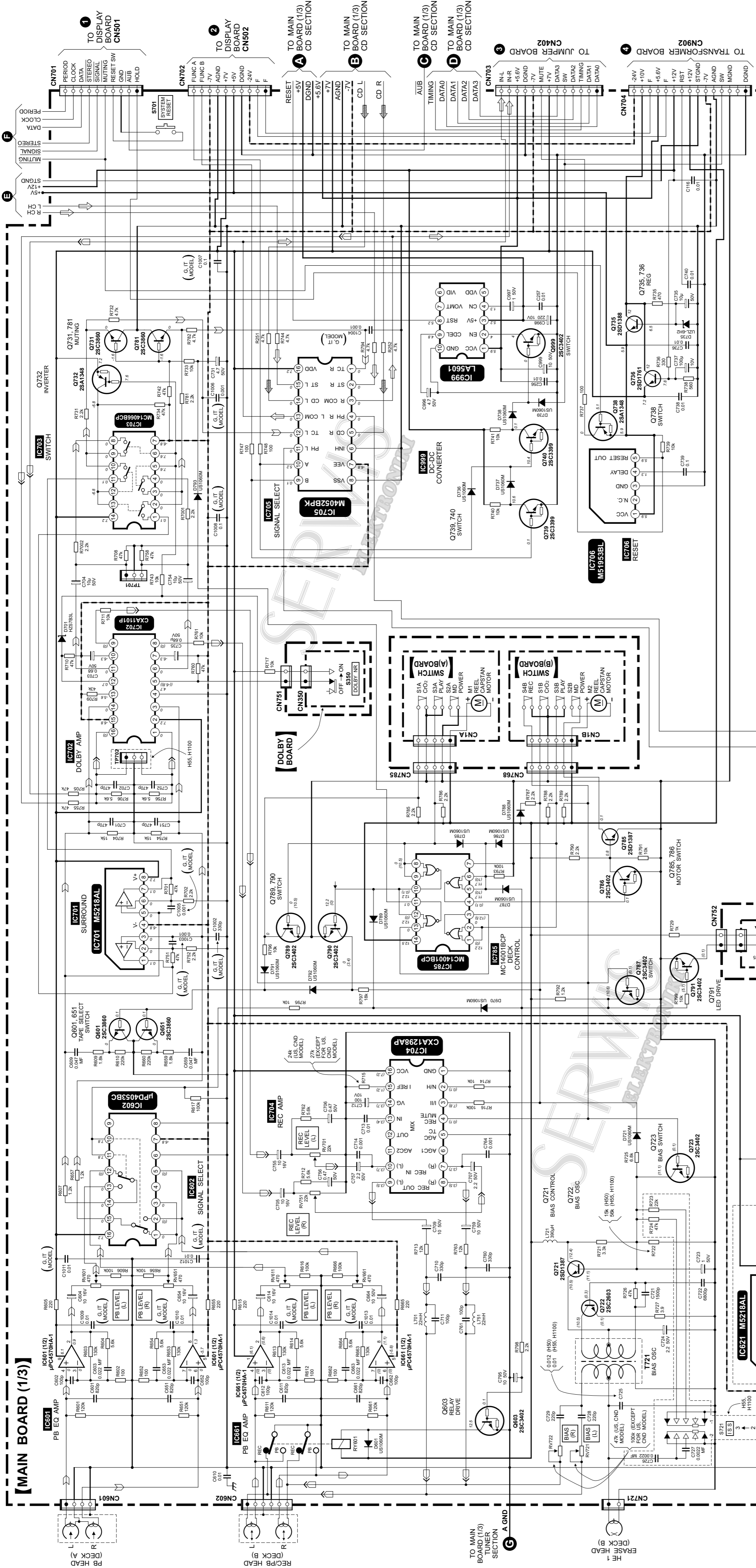


Zestaw audio Sony
HCD-H55
 (strona 1/4)

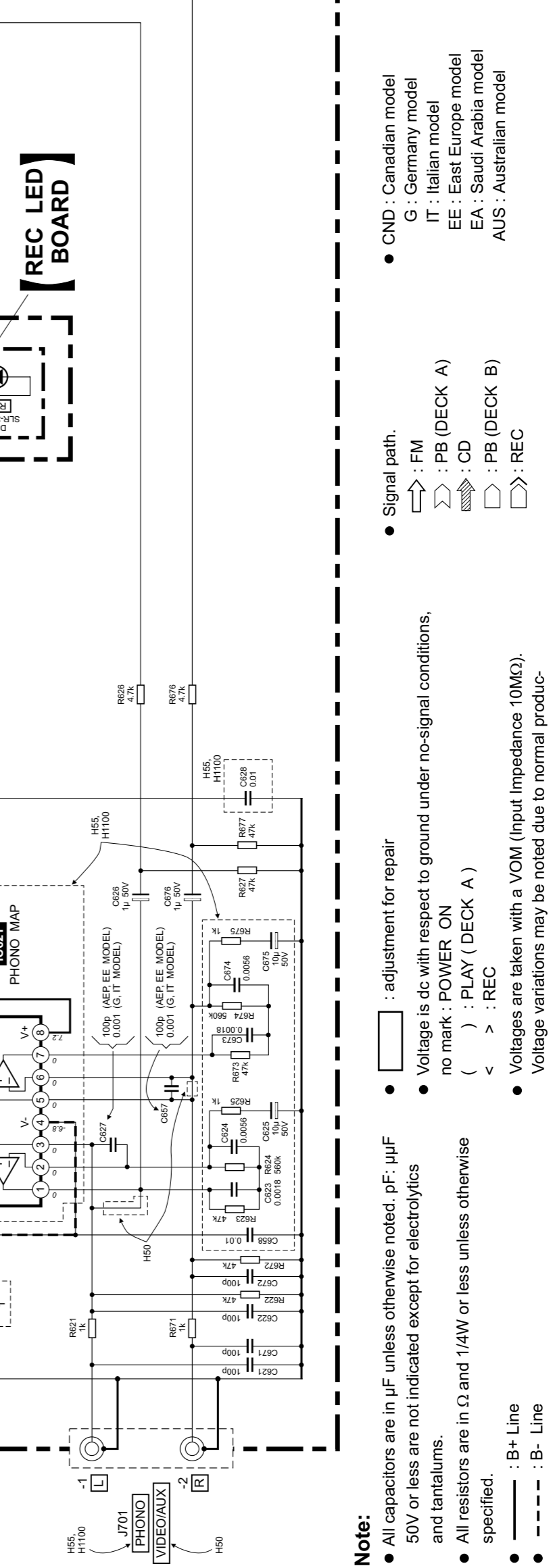
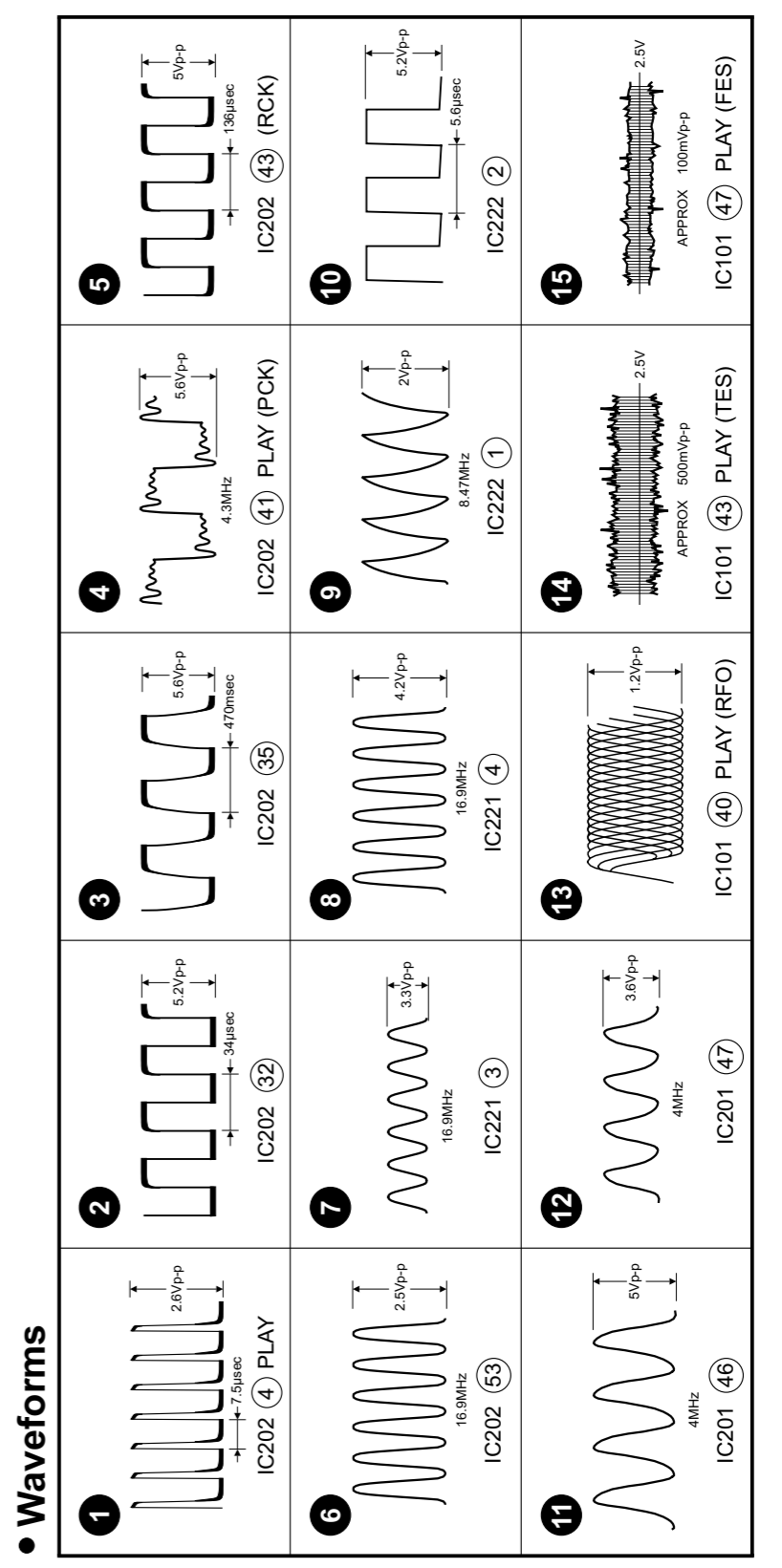
- Note:**
- All capacitors are in μF unless otherwise noted, pF, μF and tantalums.
 - 50WV or less are not indicated except for electrolytics and tantalums.
 - All resistors are in Ω and 1/4w or less unless otherwise specified.
 - ⚡ : fusible resistor.
- Note:**
- The components identified by mark Δ or dotted line with mark Δ are critical for safety. Replace only with part number specified.
- Note:**
- : B+ Line
 - - - : B- Line
 - Voltage is dc with respect to ground under no-signal conditions, no mark : POWER ON
 - ⚡ : Voltage variations may be noted due to normal production tolerances.
- Note:**
- Signal path.
 - FM
 - CND : Canadian model
 - G : Germany model
 - IT : Italian model
 - EE : East Europe model
 - EA : Saudi Arabia model
 - AUS : Australian model

SCHEMATIC DIAGRAM - Deck Section

【MAIN BOARD (1/3)】

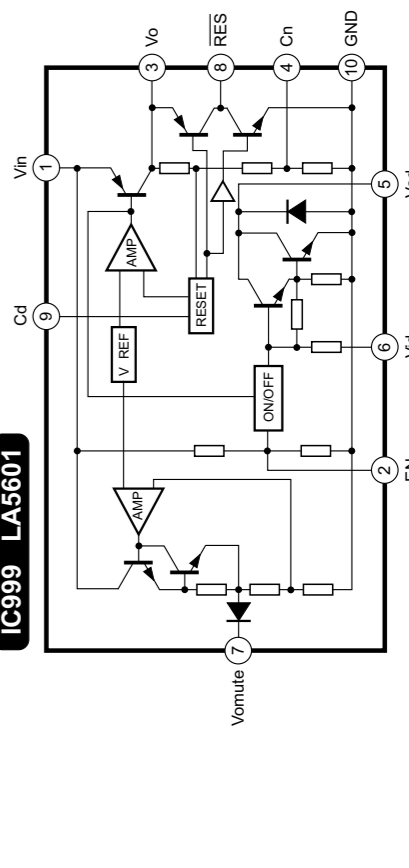
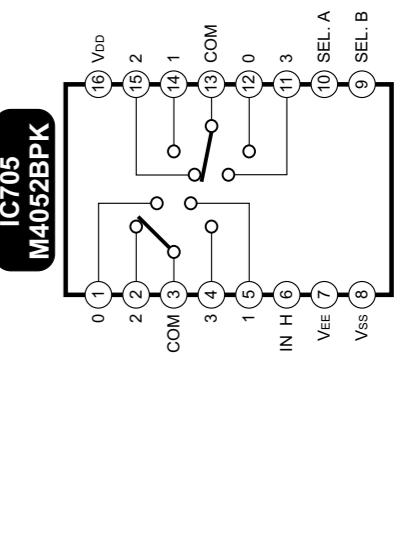
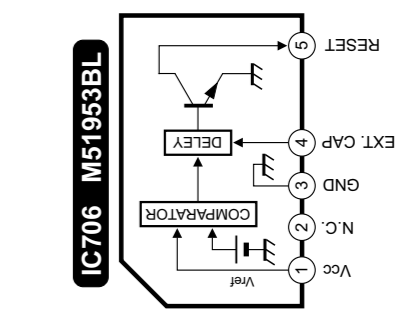
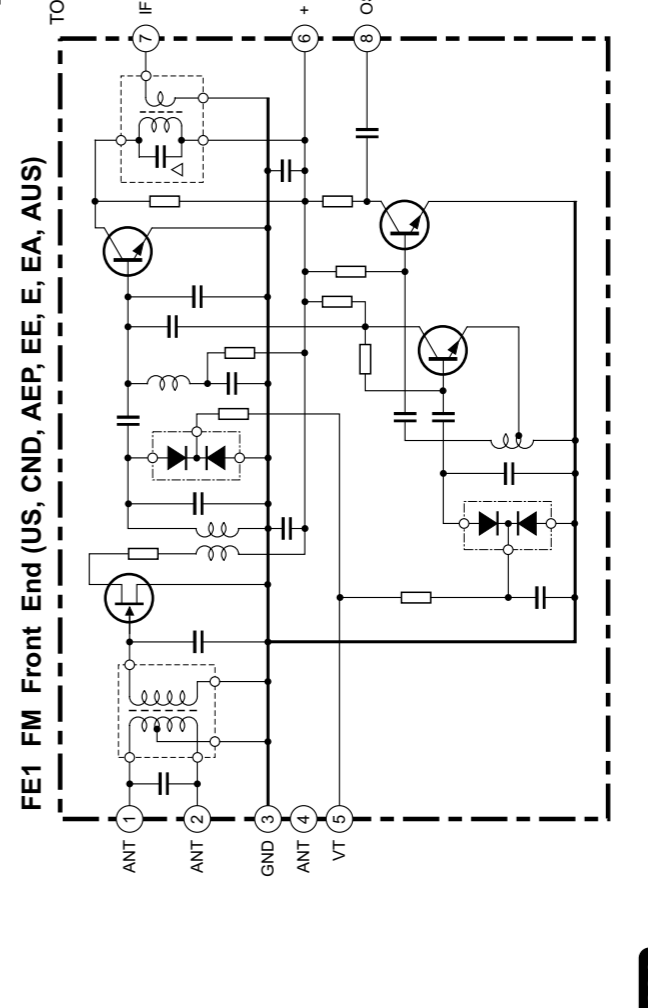
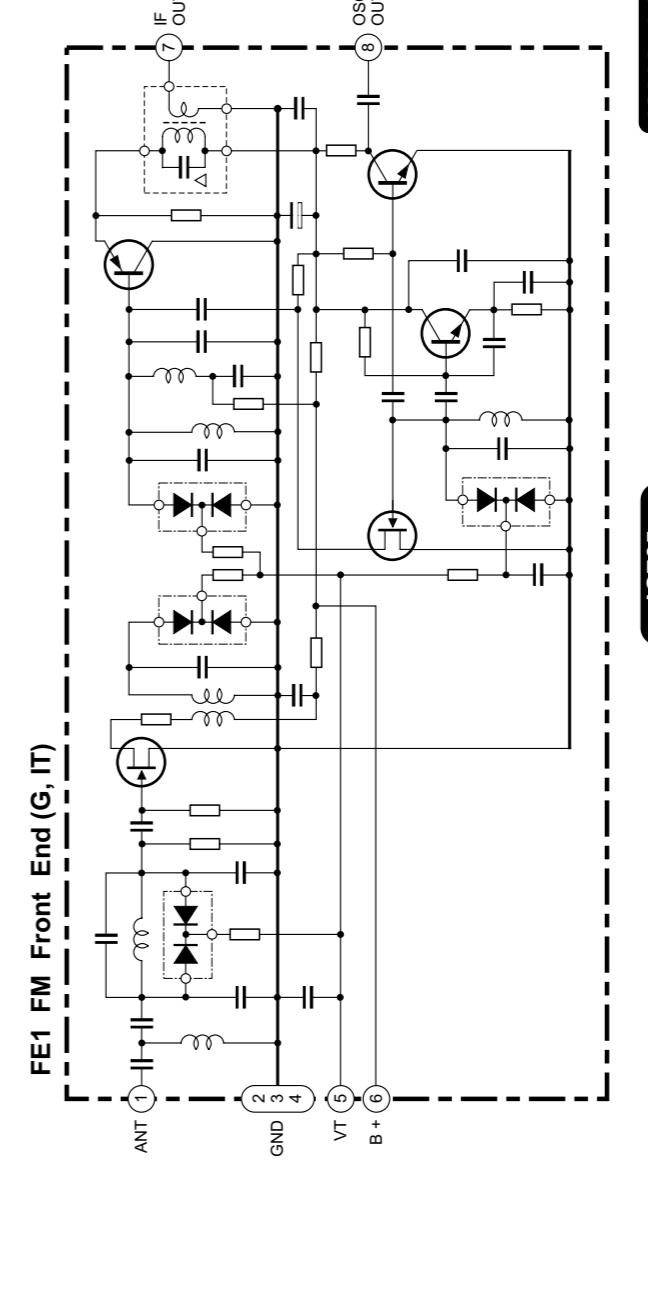
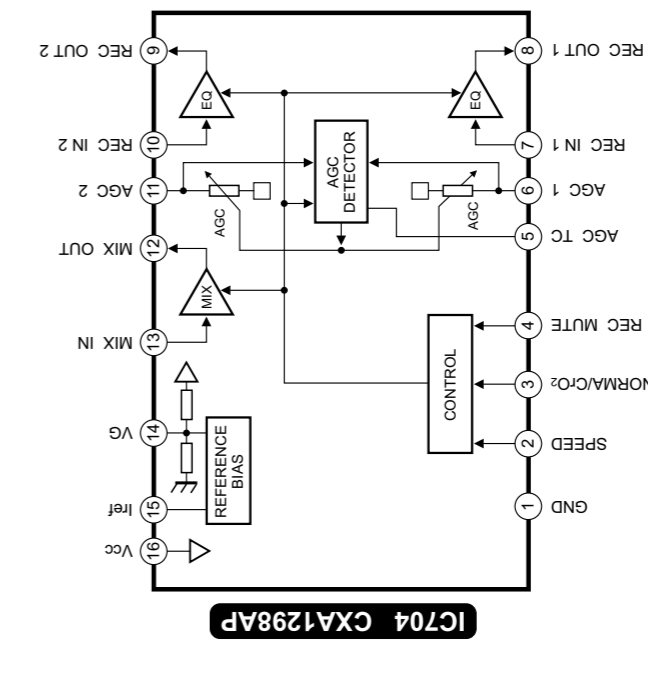
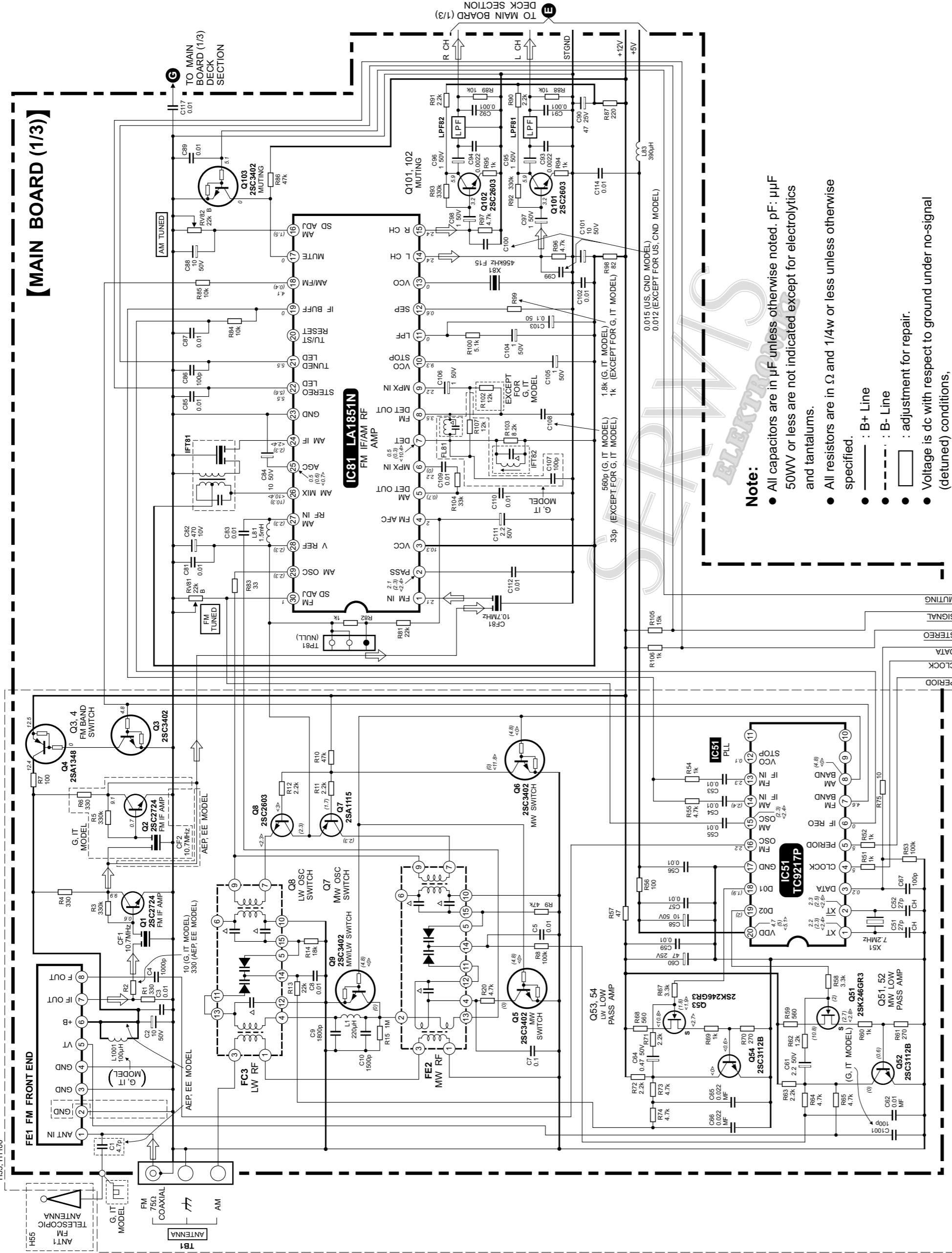
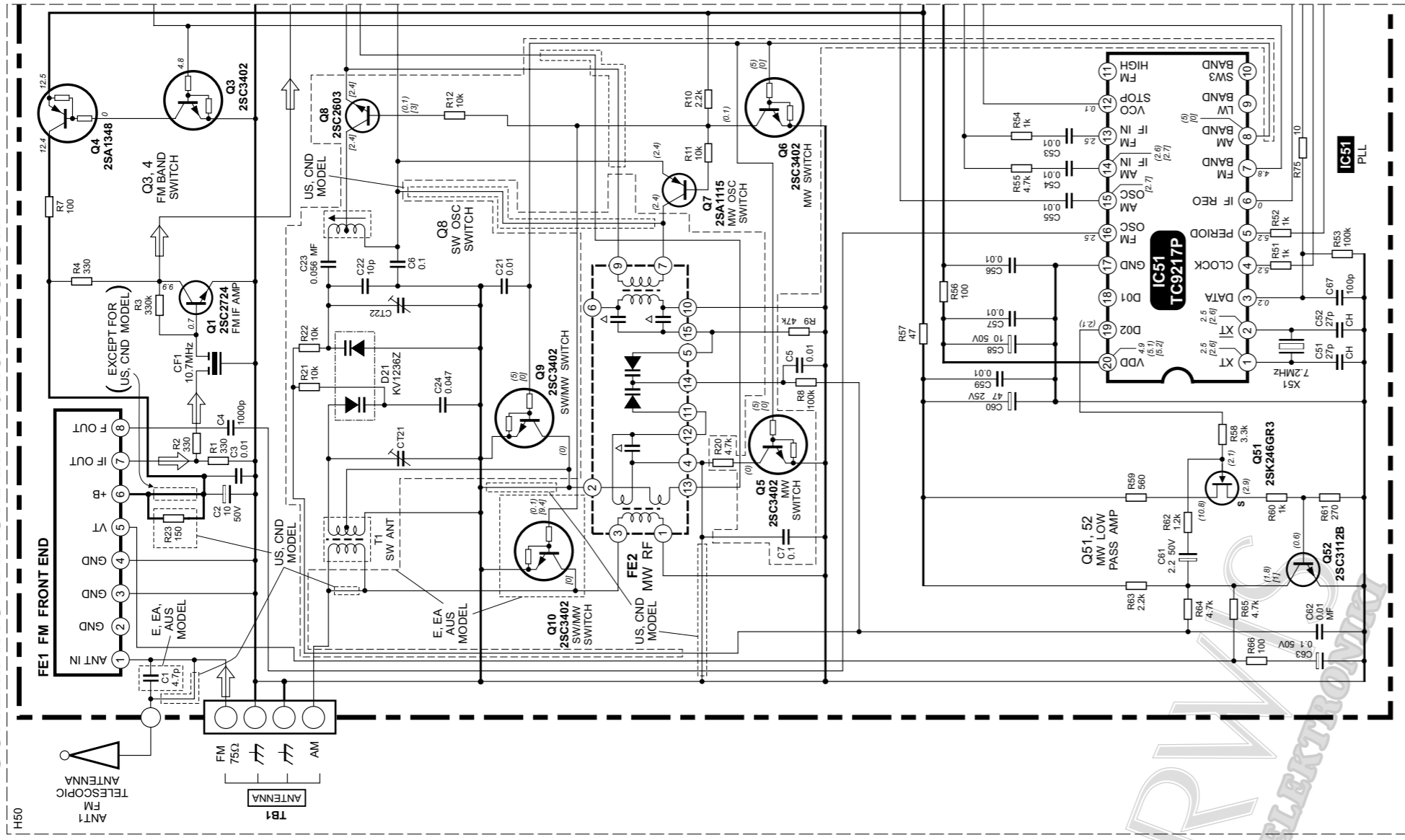


Zestaw audio Sony HCD-H55 (strona 2/4)



- Note:**
- All capacitors are in μF unless otherwise noted. pF : μF
 - 50V or less are not indicated except for electrolytics and tantalums.
 - All resistors are in Ω and 1/4W or less unless otherwise specified.
 - — : B+ Line
 - - - - : B- Line
 - [] : adjustment for repair
 - Voltage is dc with respect to ground under no-signal conditions.
 - no mark : POWER ON
 - () : PLAY (DECK A)
 - < > : REC
 - Voltages are taken with a VOM (input impedance 10M Ω).
 - Voltage variations may be noted due to normal production tolerances.
 - Signal path.
 - : FM
 - ⇄ : PB (DECK A)
 - ⇄ : CD
 - ⇄ : PB (DECK B)
 - ⇄ : REC
 - CND : Canadian model
G : Germany model
IT : Italian model
EE : East Europe model
EA : Saudi Arabia model
AUS : Australian model

SCHEMATIC DIAGRAM - Tuner Section



- Note:**
- All capacitors are in μF unless otherwise noted. pF: μpF and tantalums.
 - All resistors are in Ω and 1/4w or less unless otherwise specified.
 - — : B+ Line
 - - - - : B- Line
 - □ : adjustment for repair.
 - Voltage is dc with respect to ground under no-signal (detuned) conditions.
 - no mark : FM
 - () : MW
 - < : LW
 - [] : SW
 - Voltages are taken with a VOM (Input impedance 10M Ω). Voltage variations may be noted due to normal production tolerances.
 - Signal path.
 - ↑ : FM
 - CND : Canadian model
 - G : Germany model
 - IT : Italian model
 - EE : East Europe model
 - EA : Saudi Arabia model
 - AUS : Australian model

Zestaw audio Sony HCD-H55
 (strona 3/4)

